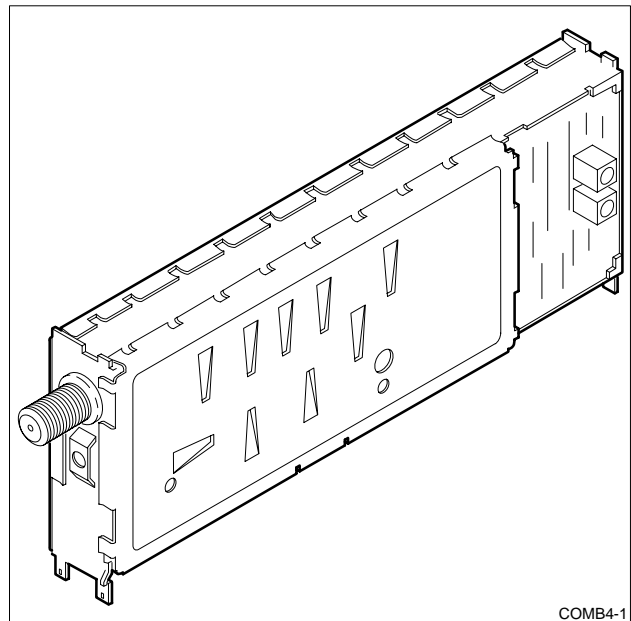


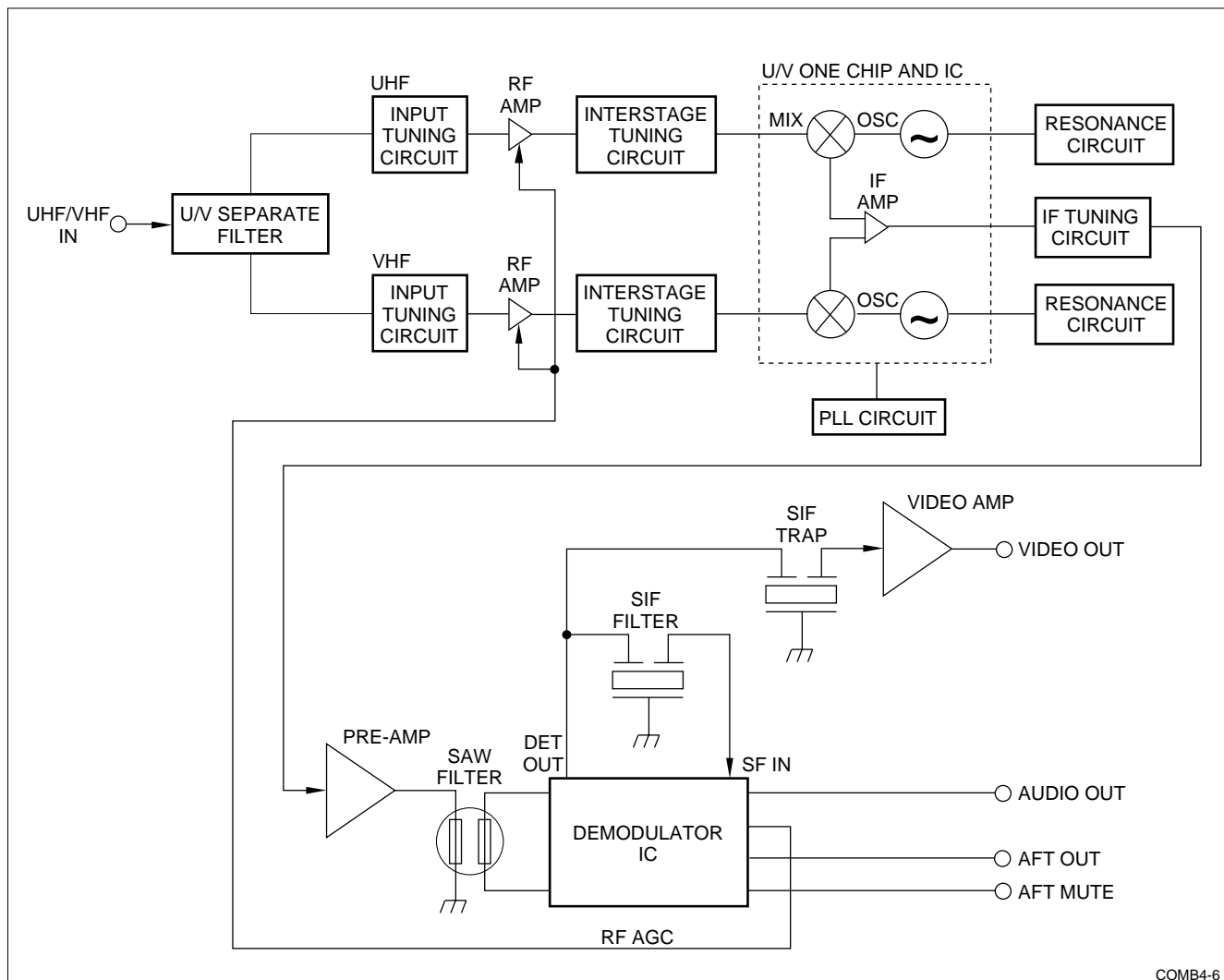
FEATURES

- Receiving Standard: USA
- Receiving Channels:
 - VHF Section
 - Low Band – Air: 2 to 6 CATV: (A-8) A-5 to B
 - High Band – Air: 7 to 13 CATV: C to W + 11
 - UHF Section
 - Air: 14 to 69
 - CATV: W + 12 to W + 84
- Receiving System: USA Standard M-System (NTSC)
- Channel Selection System: PLL Tuning
- Detection System: Dummy Synchronization Detection System, Intercarrier Sound Receiving System
- Nominal Input Impedance: RF 75 Ω
- Output Load Impedance:
 - Video: 1 k Ω
 - Audio: 4.7 k Ω
- Intermediate Frequency:
 - Picture: 45.75 MHz
 - Sound: 41.25 MHz
- Weight: 42 g \pm 10 g
- Applicable Standards:
 - EIA Standard Number 544
 - EIA Standard Number 16A
 - FCC Standards
 - UL Standard



FUNCTIONAL DESCRIPTION

The VTBT5UF201 is a combination tuner and demodulator in one package. It is compatible with North American NTSC television broadcast signals. An internal Phase-Locked Loop circuit performs all of the required tuning functions. The tuner and demodulator blocks are internally connected. An IF sample port is provided for monitoring the signal level or frequency characteristics of the recovered IF signal. The RF connector is mounted on the end of the housing so that the smallest possible area is used on the rear panel of a final installation. Demodulated audio, video, and AFT outputs are provided. The AFT Mute function is available as well. The AGC control line from the demodulator to the tuner is not accessible to the system designer.



COMB4-6

Figure 1. VTBT5UF201 Block Diagram

ELECTRICAL CHARACTERISTICS

- Nominal Supply Voltage (TYP.)
 - BT: 31 V
 - BP: 5 V
 - BM: 5 V
- Operating Voltage (TYP.)
 - BT: 31 V \pm 2.0 V
 - BP: 5 V \pm 0.5 V
 - BM: 5 V \pm 0.5 V
 - Control: 5 V \pm 0.2 V
- Breakdown Voltage (MIN.)
 - BT: 34 V
 - BP: 5.5 V
 - BM: 5.5 V
- Test Conditions (TYP.)
 - BT: 31 V
 - BP: 5 V
 - BM: 5 V
 - Ambient Temperature 25°C \pm 5°C
 - Relative Humidity 65% \pm 10%
- Current Consumption (MAX.)
 - BT: 5 mA
 - BP: 16 mA
 - BM: 150 mA
- Temperature (TYP.)
 - Storage -20°C to +70°C
 - Operating -10°C to +60°C

- Noise Figure (UHF AIR)
 - Maximum 7 dB (TYP.), 10 dB (MAX.)
 - $\bar{X} = \Sigma xi/n$
 - $S = \Sigma \sqrt{(Xi - x)^2} / (n - 1), n = 10^*$
(Tested channels including worst)
 - Shall satisfy the requirements stated in FCC NF Sampling Plan C (effective January, 1980)
 - Noise figure measurement shall be based on FCC OST 50 (effective January, 1980)
 - XIRS: 7 dB (TYP.), 10 dB (MAX.)

NOTE: *A representative tuner test shall be conducted on the following channels and on the worst channel found CH 14 through CH69: Ch14, 20, 26, 32, 38, 44, 50, 56, 62, and 69.

- Image Rejection
 - At -47 dBm Input
 - VHF Air: 70 dB (TYP.), 60 dB (MIN.)
 - VHF CATV: 70 dB (TYP.), 60 dB (MIN.)
 - UHF: 60 dB (TYP.), 40 dB (MIN.)
- IF Rejection (dB)
 - At -47 dBm Input
 - VHF Low: 80 dB (TYP.), 55 dB (MIN.)
 - VHF High: 90 dB (TYP.), 90 dB (MIN.)
 - UHF: 85 dB (TYP.), 60 dB (MIN.)
 - At -17 dBm: Input
 - VHF Low: 58 dB (TYP.), 50 dB (MIN.)
 - VHF High: 63 dB (TYP.), 50 dB (MIN.)
 - UHF: 60 dB (TYP.), 50 dB (MIN.)
- Specific Channel Rejection.
 - Desirable 54 dBμ input; Undesireable 49 dbμ input.
 - CH 6 ← CH A-5: 55 dB (TYP.); 50 dB (MIN.)
 - CHP 6 ← CHS6: 55 dB (TYP.); 52 dB (MIN.)
- Band Edge Tuning Margin
 - CH 2: -4.0 MHz (TYP.), -1 MHz (MIN.)
 - CH B: 3.0 MHz (TYP.), +1 MHz (MIN.)
 - CH C: -4.0 MHz (TYP.), -1 MHz (MIN.)
 - CH W + 11: 3.0 MHz (TYP.), +1 MHz (MIN.)
 - CH W + 12: -5.0 MHz (TYP.), -1.5 MHz (MIN.)
 - CH 69: 6.0 MHz (TYP.), 1.0 MHz (MIN.)
- Antenna Terminal Voltage
 - Fundamental Wave 40 dBμ (MAX.)
 - Higher Harmonic 48 dBμ (MAX.)
- PLL AC Characteristics
 - Setting Up Enable: Tsuen 1 μs (MIN.)
 - Holding Enable: Thden 1 μs (MIN.)
 - Setting Up Data: Tsuda 1 μs (MIN.)
 - Holding Data: Thdda 1 μs (MIN.)
 - Clock Level High: Thicl 1 μs (MIN.)
 - Clock Level Low: Tlocl 1 μs (MIN.)
 - Clock Rate: Trate 10 μs (MIN.)

- Signal Rising: Trise 1 μs (MIN.)
- Signal Falling: Tfall 1 μs (MIN.)
- Picture Output
 - Output Level (CH 10) 1.0 Vp-p (TYP.), 1.0 ±15 Vp-p
 - At 1 kΩ termination, fp 70 dBμ, White 100%
 - Differential Gain (CH 10) 3% (TYP.), 10% (MAX.)
 - fp 90 dBμ, Sterstep 80 IRE
 - Differential Phase (CH 10) 3° (TYP.), 10° (MAX.)
 - fp 90 dBμ, Sterstep 80 IRE
 - S/N ratio 47 dB (TYP.), 43 dB (MIN.)
 - fp 70 dBμ, White 100%, 100 kHz to 4.2 MHz filter, Sctrap On
 - Frequency Characteristics (CH 10), fp 70 dBμ, multi-burst
 - 1.0 MHz: -0.3 dB (TYP.), -2 ±0.3 dB
 - 2.0 MHz: -0.4 dB (TYP.), -2 ±0.4 dB
 - 3.0 MHz: -1.0 dB (TYP.), -1.7 ±0.7 dB
 - 3.58 MHz: -2.0 dB (TYP.), -2 ±2 dB
 - Synchronized Ratio (CH 10)
 - 28.5% (TYP.), 23.6% to 33.6%
 - fp 70 dBμ, SMPTE color bar
- Sound Output
 - Output Level (CH 10) 245 mVrms (TYP.), 185 mVrms to 315 mVrms
 - fp 70 dBμ, SMPTE color bar 87.5% modulation, P/S 6 dB, fs 1 kHz, sin-curve 60% modulation, 75 μs pre-emphasis
 - Distortion Rate (CH 10) 1% (TYP.), 4% (MAX.)
 - S/N Ratio (CH 10) 53 dB (TYP.), 42 dB (MAX.)
 - Frequency Characteristics (CH 10) 0 dB (TYP.), 0 ±3 dB
 - AM Removal Level (CH 10) 45 dB (TYP.), 35 dB (MAX.)
- AFT Output
 - Output Voltage 2.5 V (TYP.), 1.75 V to 3.25 V
 - Frequency Accuracy 25 kHz (TYP.), 100 kHz (MAX.)

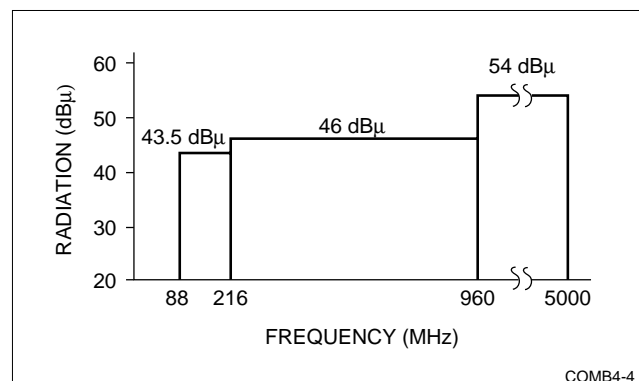


Figure 2. Radiation (3m Method)

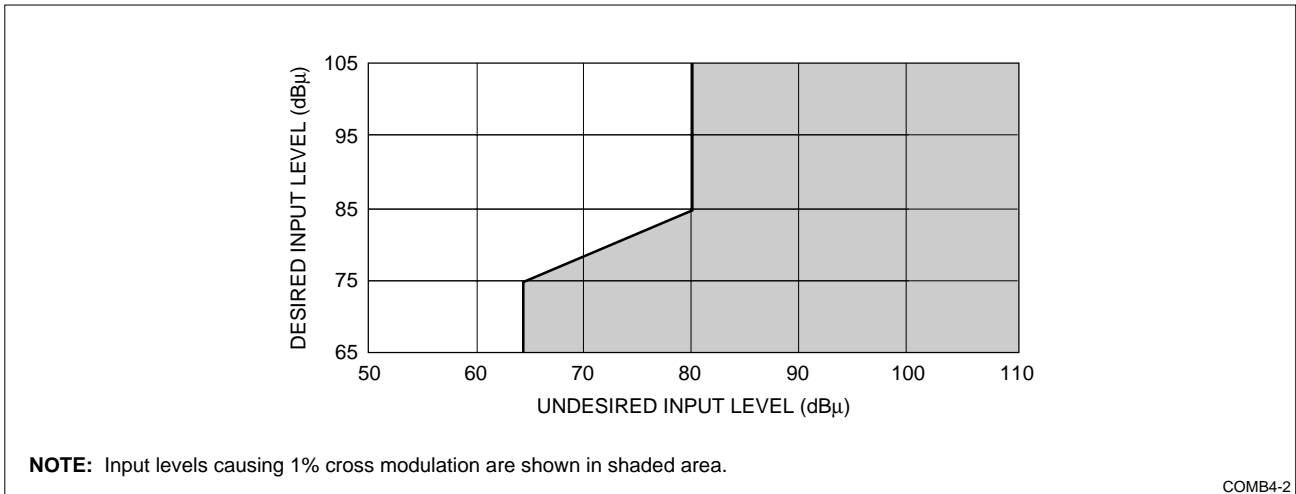


Figure 3. Cross Modulation Between Next and Adjacent Channels

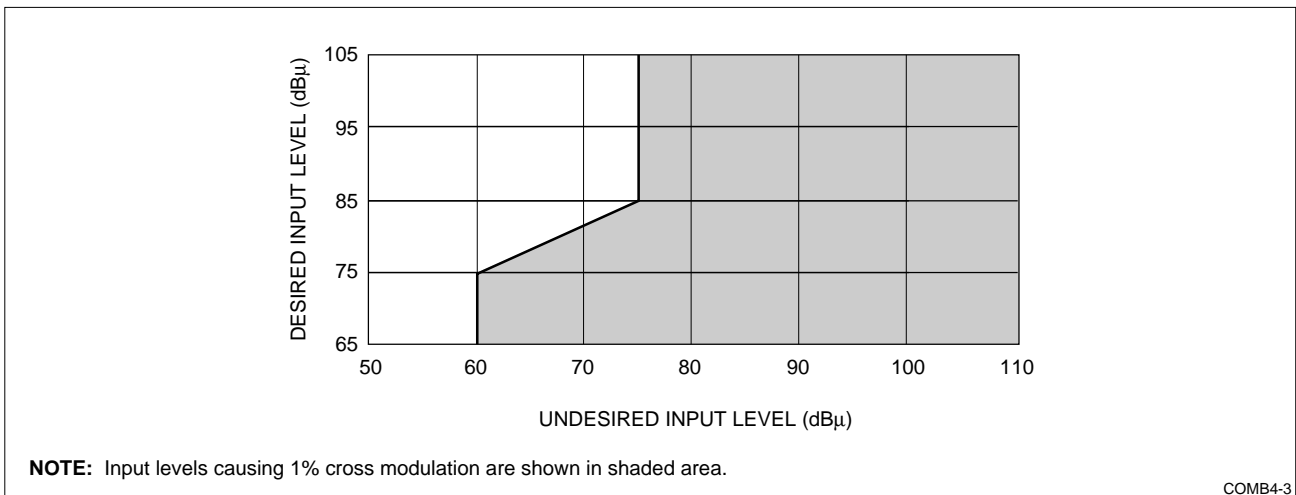


Figure 4. Cross Modulation Between Adjacent Channels

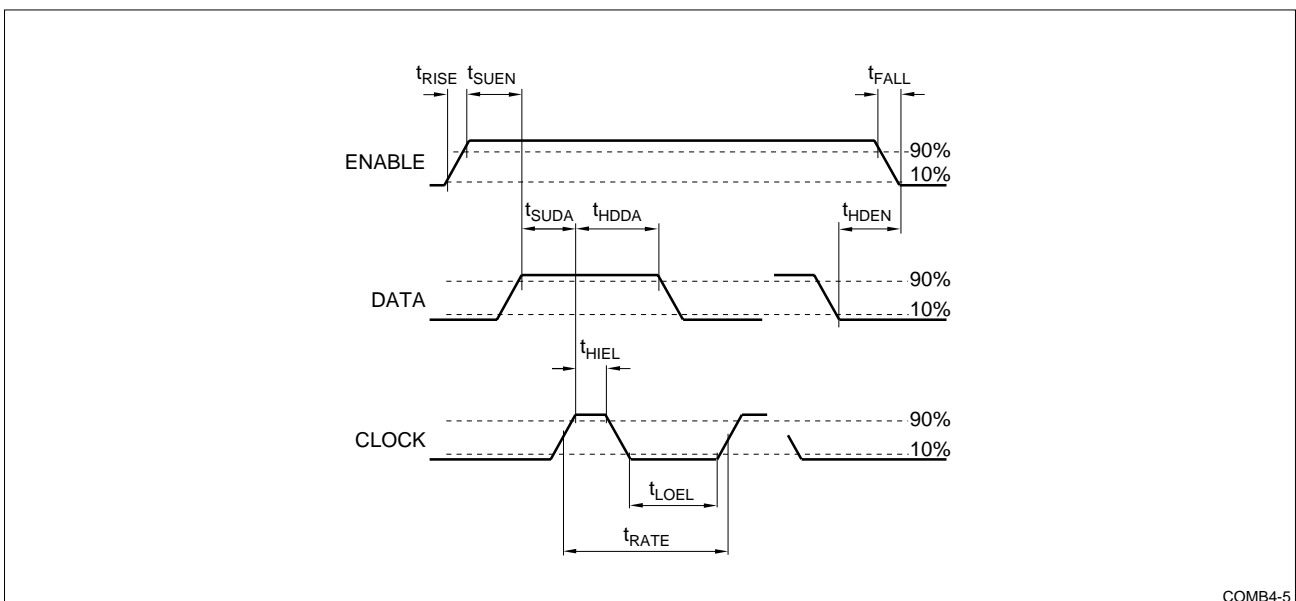
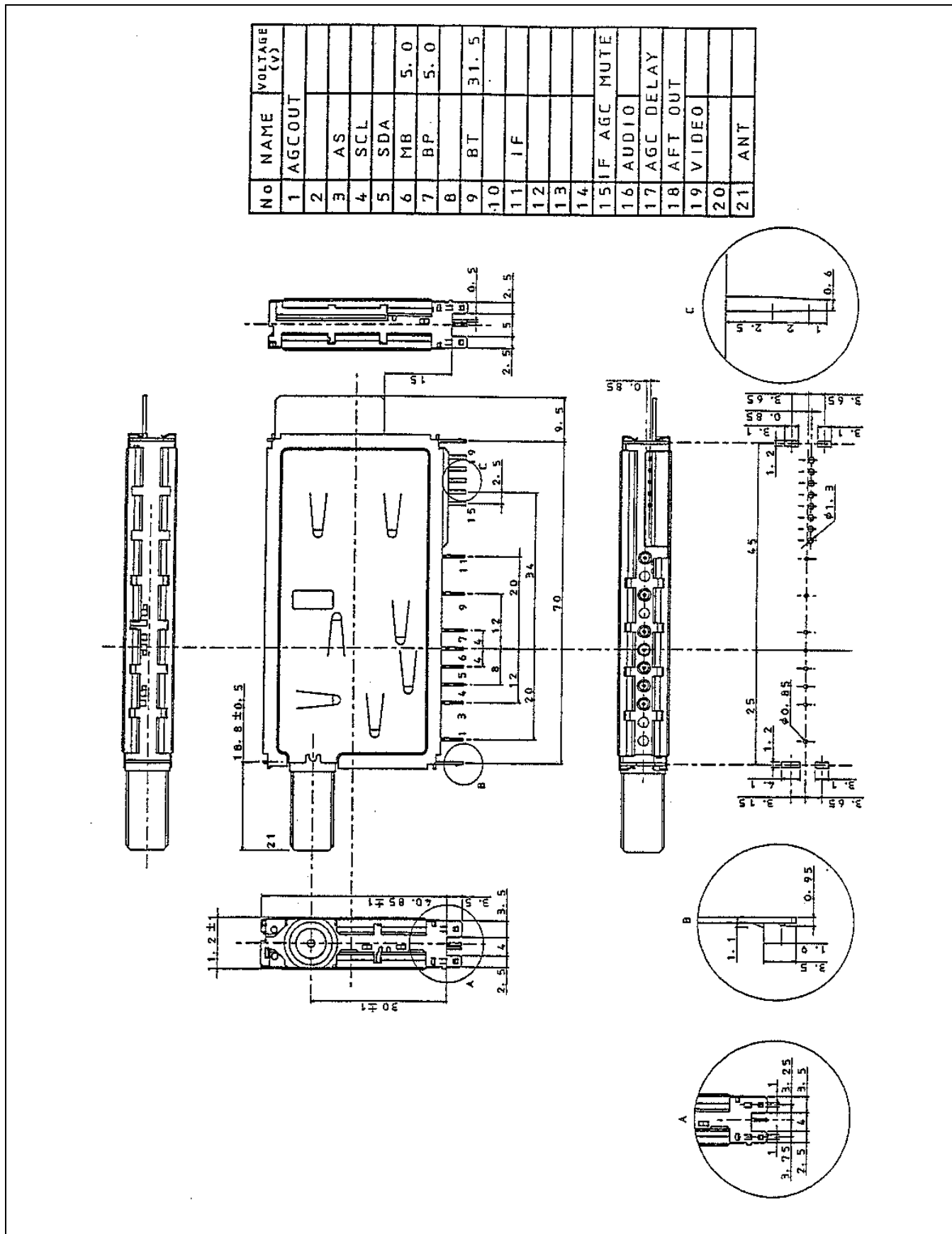


Figure 5. PLL AC Characteristics

OUTLINE DIMENSIONS



LIFE SUPPORT POLICY

SHARP components should not be used in medical devices with life support functions or in safety equipment (or similar applications where component failure would result in loss of life or physical harm) without the written approval of an officer of the SHARP Corporation.

LIMITED WARRANTY

SHARP warrants to its Customer that the Products will be free from defects in material and workmanship under normal use and service for a period of one year from the date of invoice. Customer's exclusive remedy for breach of this warranty is that SHARP will either (i) repair or replace, at its option, any Product which fails during the warranty period because of such defect (if Customer promptly reported the failure to SHARP in writing) or, (ii) if SHARP is unable to repair or replace, refund the purchase price of the Product upon its return to SHARP. This warranty does not apply to any Product which has been subjected to misuse, abnormal service or handling, or which has been altered or modified in design or construction, or which has been serviced or repaired by anyone other than Sharp. The warranties set forth herein are in lieu of, and exclusive of, all other warranties, express or implied. ALL EXPRESS AND IMPLIED WARRANTIES, INCLUDING THE WARRANTIES OF MERCHANTABILITY, FITNESS FOR USE AND FITNESS FOR A PARTICULAR PURPOSE, ARE SPECIFICALLY EXCLUDED. In no event will Sharp be liable, or in any way responsible, for any incidental or consequential economic or property damage.

The above warranty is also extended to Customers of Sharp authorized distributors with the following exception: reports of failures of Products during the warranty period and return of Products that were purchased from an authorized distributor must be made through the distributor. In case Sharp is unable to repair or replace such Products, refunds will be issued to the distributor in the amount of distributor cost.

SHARP reserves the right to make changes in specifications at any time and without notice. SHARP does not assume any responsibility for the use of any circuitry described; no circuit patent licenses are implied.

SHARP[®]**NORTH AMERICA**

SHARP Microelectronics
of the Americas
5700 NW Pacific Rim Blvd., M/S 20
Camas, WA 98607, U.S.A.
Phone: (360) 834-2500
Telex: 49608472 (SHARPCAM)
Facsimile: (360) 834-8903
<http://www.sharpsma.com>

EUROPE

SHARP Electronics (Europe) GmbH
Microelectronics Division
Sonninstraße 3
20097 Hamburg, Germany
Phone: (49) 40 2376-2286
Facsimile: (49) 40 2376-2232
<http://www.sharpmed.com>

ASIA

SHARP Corporation
Integrated Circuits Group
2613-1 Ichinomoto-Cho
Tenri-City, Nara, 632, Japan
Phone: (07436) 5-1321
Telex: LABOMETA-B J63428
Facsimile: (07436) 5-1532