

**CURRENT MODE SWITCHING
POWER SUPPLY CONTROL CIRCUIT**

- DIRECT DRIVE OF THE EXTERNAL SWITCHING TRANSISTOR
- POSITIVE AND NEGATIVE OUTPUT CURRENTS UP TO 0.5 A
- CURRENT LIMITATION
- TRANSFORMER DEMAGNETIZATION SENSING
- FULL OVERLOAD AND SHORT-CIRCUIT PROTECTION
- PROPORTIONAL BASE CURRENT DRIVING
- LOW STANDBY CURRENT BEFORE STARTING (< 1.6 mA)
- THERMAL PROTECTION

DESCRIPTION

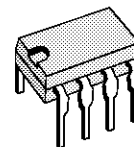
The TEA2018A is an 8-pin DIP low-cost integrated circuit designed for the control of switch mode power supplies.

Due to its current mode regulation, the TEA2018A facilitates design of power supplies with following features :

- High stability regulation loop
- Automatic input voltage feed-forward in discontinuous mode fly-back
- Automatic pulse-by-pulse current limitation

Typical applications : Video Display Units, TV sets, typewriters, microcomputers and industrial applications

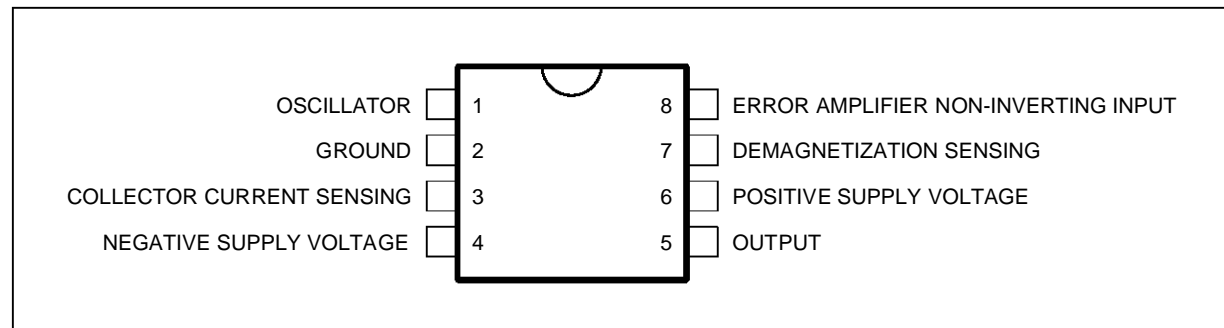
Where synchronization is required, use the TEA2019. For more details, see application note AN406/0591



DIP8
(Plastic Package)

ORDER CODE : TEA2018A

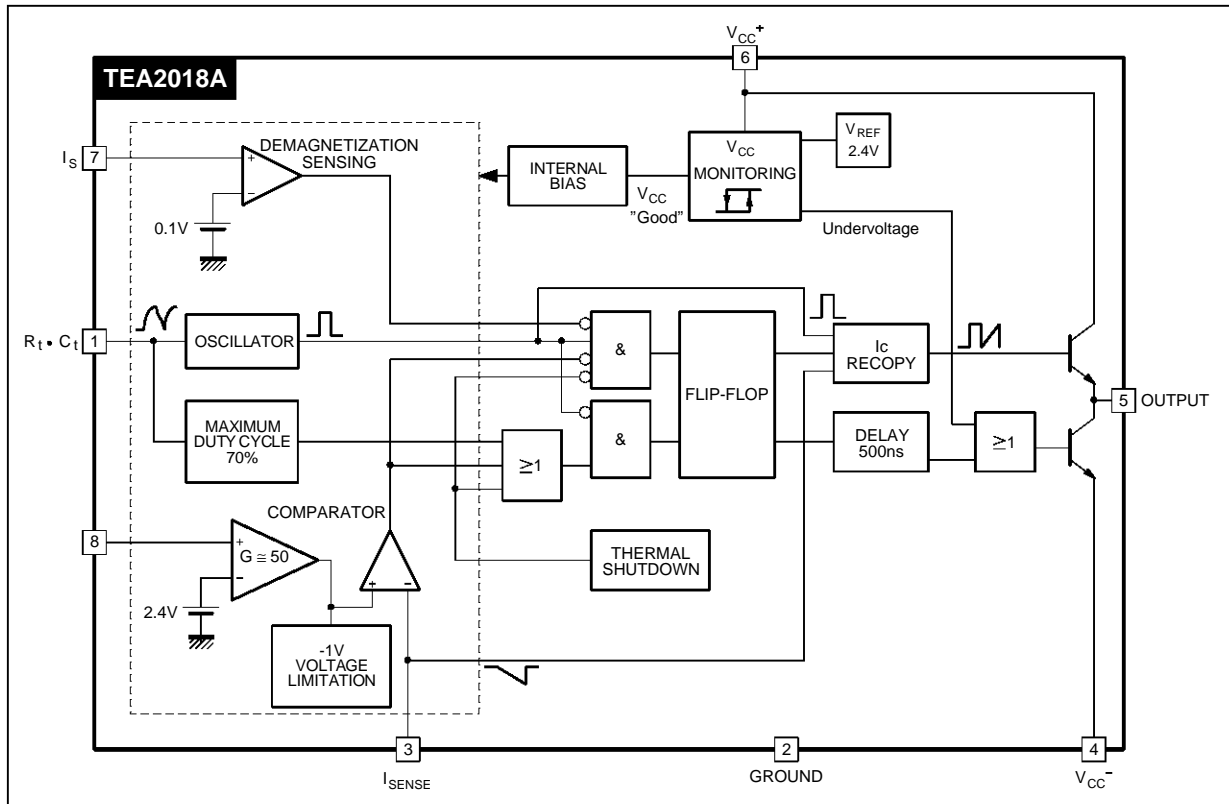
PIN CONNECTIONS



2018A-01.EPS

TEA2018A

BLOCK DIAGRAM



ABSOLUTE MAXIMUM RATINGS

Symbol	Parameter	Value	Unit
V_{CC+}	Positive Supply Voltage	15	V
V_{CC-}	Negative Supply Voltage	-5	V
$I_o(\text{peak})$	Peak Output Current (duty cycle < 5%)	± 1	A
I_i	Input Current (Pin 3)	± 5	mA
T_j	Junction Temperature	+150	$^{\circ}\text{C}$
T_{oper}	Operating Ambient Temperature Range	-20, +70	$^{\circ}\text{C}$
T_{stg}	Storage Temperature Range	-40, +150	$^{\circ}\text{C}$

THERMAL DATA

Symbol	Parameter	Value	Unit
$R_{th(j-a)}$	Junction-ambient Thermal Resistance	80	$^{\circ}\text{C}/\text{W}$

ELECTRICAL OPERATING CHARACTERISTICS

$T_{\text{amb}} = 25^{\circ}\text{C}$, potentials referenced to ground (unless otherwise specified) (see test circuit)

Symbol	Parameter	Min.	Typ.	Max.	Unit
V_{CC+}	Positive Supply Voltage	6.6	8	15	V
V_{CC-}	Negative Supply Voltage	-1	-3	-5	V
$V_{CC(\text{start})}$	Minimum Positive Supply Voltage required for starting (V_{CC+} rising)		6	6.6	V
$V_{CC(\text{stop})}$	Minimum Positive Voltage below which device stops operating (V_{CC+} falling)	4.2	4.9	5.6	V

ELECTRICAL OPERATING CHARACTERISTICS

$T_{amb} = 25^{\circ}\text{C}$, potentials referenced to ground (unless otherwise specified) (see test circuit)

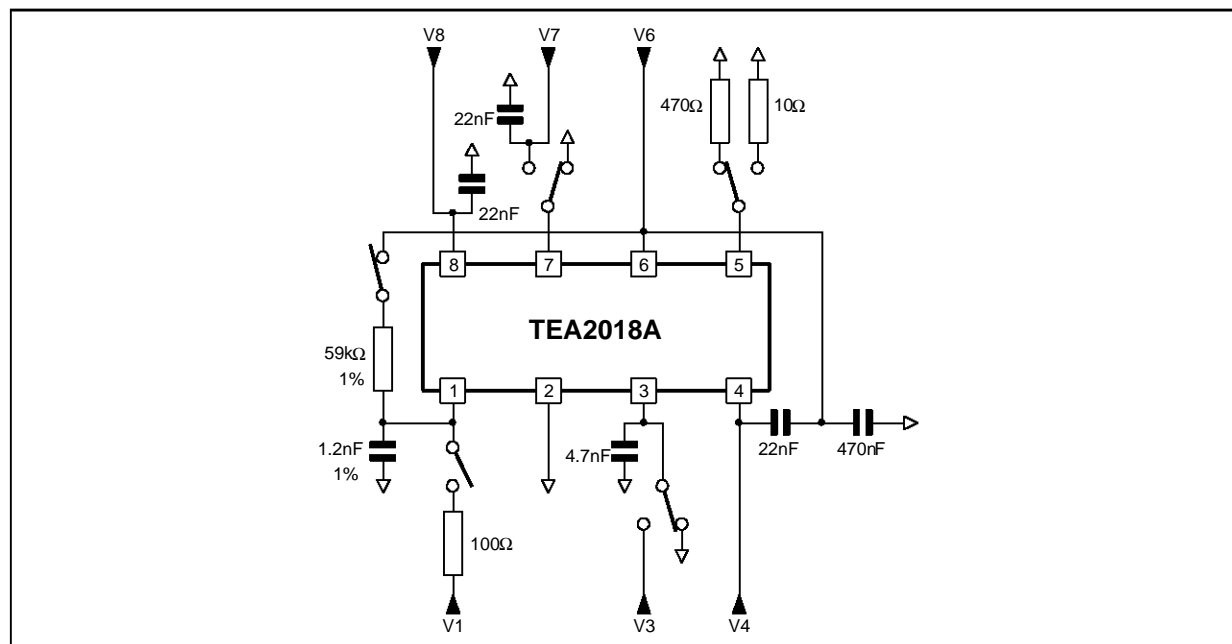
Symbol	Parameter	Min.	Typ.	Max.	Unit
ΔV_{CC+}	Hysteresis on V_{CC+} Threshold	0.7	1.1	1.6	V
$I_{CC(sb)}$	Stand-by Supply Current before starting ($V_{CC+} < V_{CC(start)}$)		1	1.6	mA
$V_{th(IC)}$	Current Limitation Threshold Voltage (Pin 3)	-1100	-1000	-880	mV
$R_{(IC)}$	Collector Current Sensing Input Resistance		1000		Ω
$V_{7(th)}$	Demagnetization Sensing Threshold	75	100	125	mV
I_S	Demagnetization Sensing Input Current (Pin 7 = 0V)		1		μA
τ_{max}	Maximum Duty Cycle	60	70		%
A_V	Error Amplifier Gain		50		
I_{I+}	Error Amplifier Input Current (non-inverting input)		2		μA
V_{REF}	Internal Reference Voltage	2.3	2.4	2.5	V
$\frac{\Delta V_{REF}}{\Delta T}$	Reference Voltage Temperature Drift		10^{-4}		$\text{V}/^{\circ}\text{C}$
t_{OSC}	Oscillator Free-running Period ($R = 59\text{k}\Omega$, $C = 1.2\text{nF}$)	44	48	52	μs
$\frac{\Delta f_{OSC}}{\Delta T}$	Oscillator Frequency Drift with Temperature ($V_{CC+} = +8\text{V}$)		0.05		$\%/^{\circ}\text{C}$
$\frac{\Delta f_{OSC}}{\Delta V_{CC}}$	Oscillator Frequency Drift with V_{CC+} ($+8\text{V} < V_{CC+} < +14\text{V}$)		0.5		$\%/V$
$t_{on(min)}$	Minimum Conducting Time ($C_t = 1\text{nF}$)		2		μs

2018A-04.TBL

RECOMMENDED OPERATING CONDITIONS

Symbol	Parameter	Min.	Typ.	Max.	Unit
V_{CC+}	Positive Supply Voltage		8		V
V_{CC-}	Negative Supply Voltage		-3		V
I_o	Output Current			0.5	A
f_{oper}	Operating Frequency		30		kHz

2018A-05.TBL

TEST CIRCUIT

2018A-03.EPS

GENERAL DESCRIPTION

(see application note AN-086)

$$\frac{I_C}{I_B} = \frac{R_B}{R_e}$$

Operating Principles (Figure 1)

On every period, the beginning of the conduction time of the transistor is triggered by the fall of the oscillator sawtooth which acts as clock signal. The period T_{osc} is given by : $T_{osc} \cong 0.66 C_t (R_t + 200)$ (T_{osc} in seconds, C_t in Farad, R_t in Ω)

The end of the conduction time is determined by a signal issued from comparing the following signals :

- a) the sawtooth waveform representing the collector current of the switching transistor, sampled across the emitter shunt resistor,
- b) the output of the error amplifier.

Base Drive

- Fast turn-on : On each period, a current pulse ensures fast transistor switch-on. This pulse performs also the $t_{on(min)}$ function at the beginning of the conduction.
- Proportional base drive : In order to save power, the positive base current after the starting pulse becomes an image of the collector current.

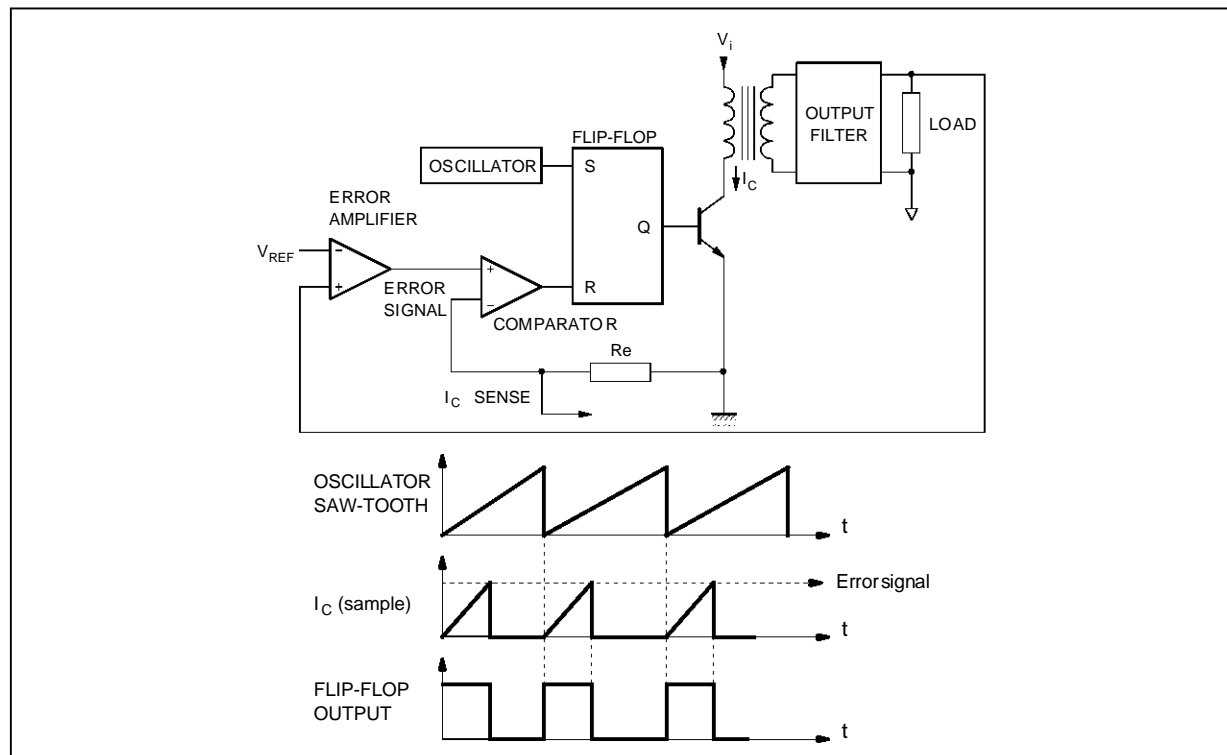
The ratio $\frac{I_C}{I_B}$ is programmed as follows Figure 2) :

- Efficient and fast switch-off : When the positive base drive is removed, 1ms (typically) will elapse before the application of negative current therefore allowing a safe and rapid collector current fall.

Safety Functions

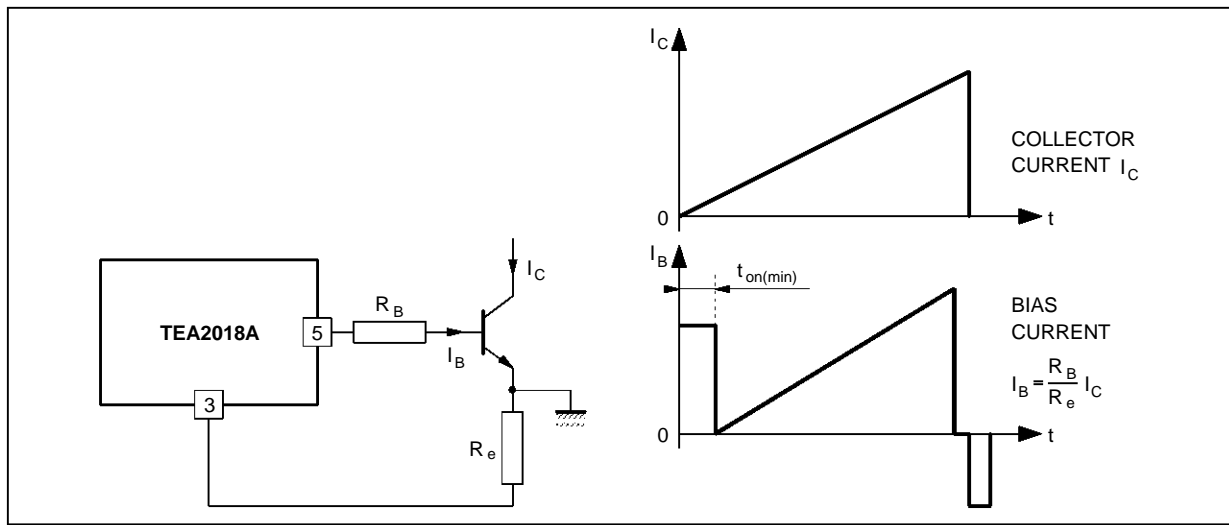
- Overload & short-circuit protection : When the voltage applied to pin 3 exceeds the current limitation threshold voltage $[V_{th}(I_c)]$, the output flip-flop is reset and the transistor is turned off. The shunt resistor R_e must be calculated so as to obtain the current limitation threshold on pin 3 at the maximum allowable collector current.
- Demagnetization sensing : This function disables any new conduction cycle of the transistor as long as the core is not completely demagnetized. When not used, pin 7 must be grounded.
- $t_{on(max)}$: Outside the regulation area and in the absence of current limitation, the maximum conduction time is set at about 70 % of the period.
- $t_{on(min)}$: A minimum conducting time is ensured during each period (see Figure 2)
- Supply voltage monitoring : The TEA2018A will stop operating if V_{CC}^+ on pin 6 falls below the threshold level $V_{CC(stop)}$

TEST CIRCUIT



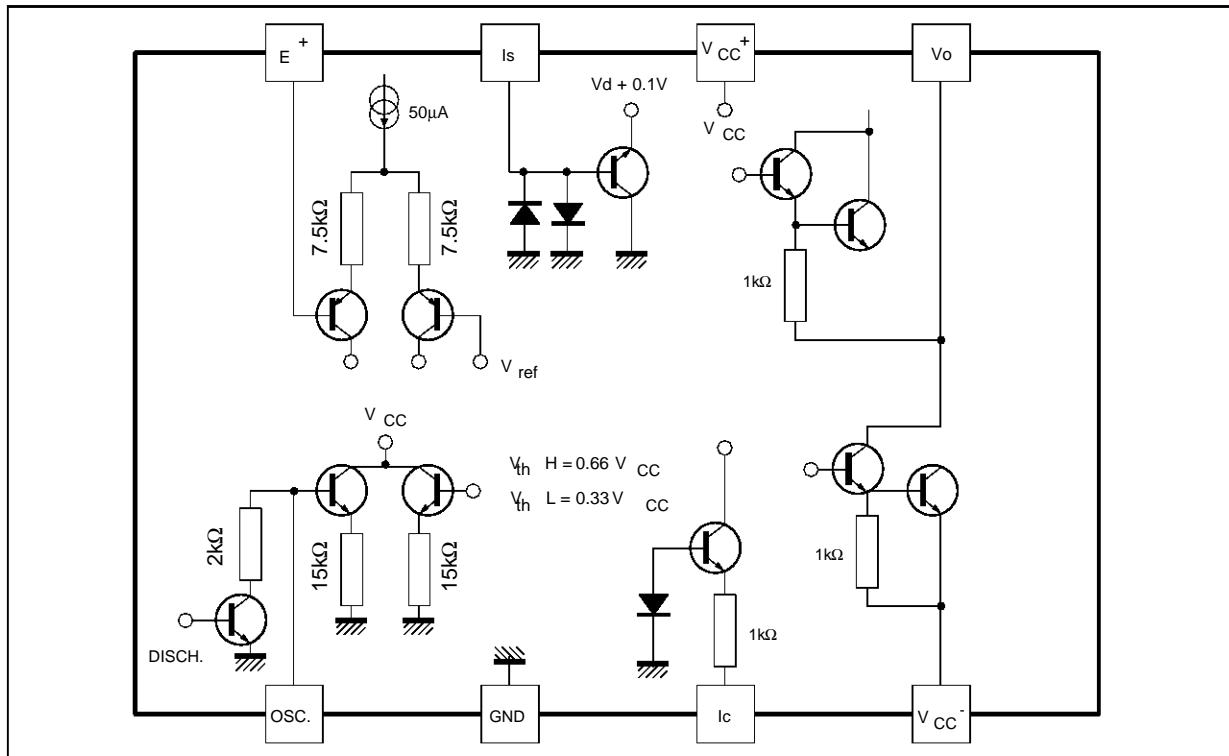
2018A-04.EPS - 2018A-06.EPS

Figure 2



2018A-06.EPS

SCHEMATICS OF INPUTS AND OUTPUTS



2018A-07.EPS

TEA2018A

Starting Process (Figure 3)

Prior to starting, a low current is drawn from the high voltage source through a high value resistor.

This current charges the power supply voltage capacitor of the device.

No output pulses are available before the voltage on pin 6 has reached the threshold level [$V_{CC(start)}$,

V_{CC} rising].

During this time the TEA2018A draws only 1mA (typically). When the voltage on pin 6 reaches this threshold, base drive pulses appear.

The energy drawn by these pulses tends to discharge the power supply storage capacitor. However a hysteresis of about 1.1V (typically) (ΔV_{CC}) is implemented to avoid the device from stopping.

Figure 3 : Normal Start-up Sequence

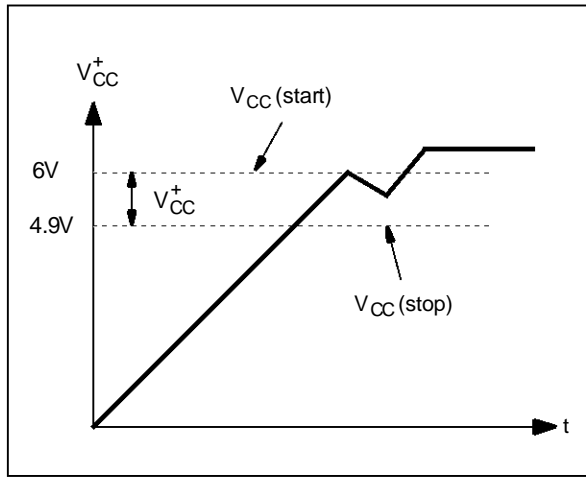
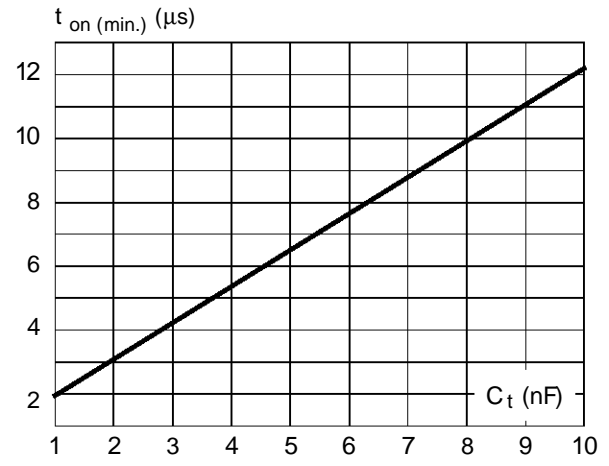
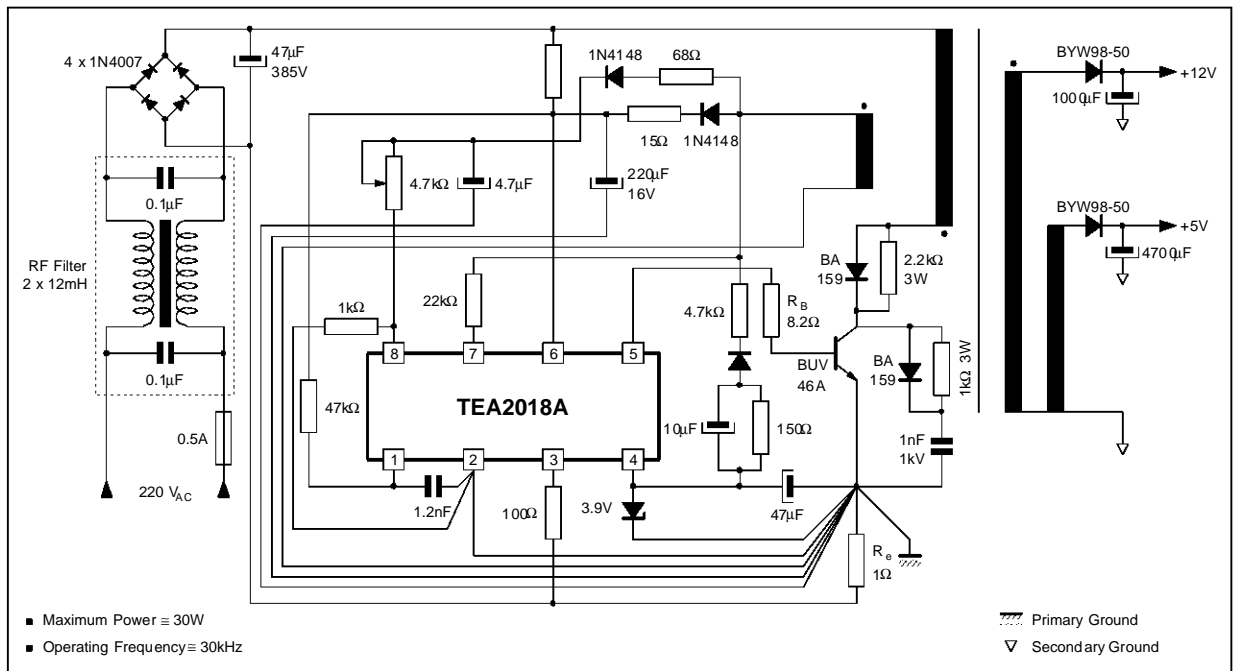


Figure 4 : t_{ON} (min.) versus C_t

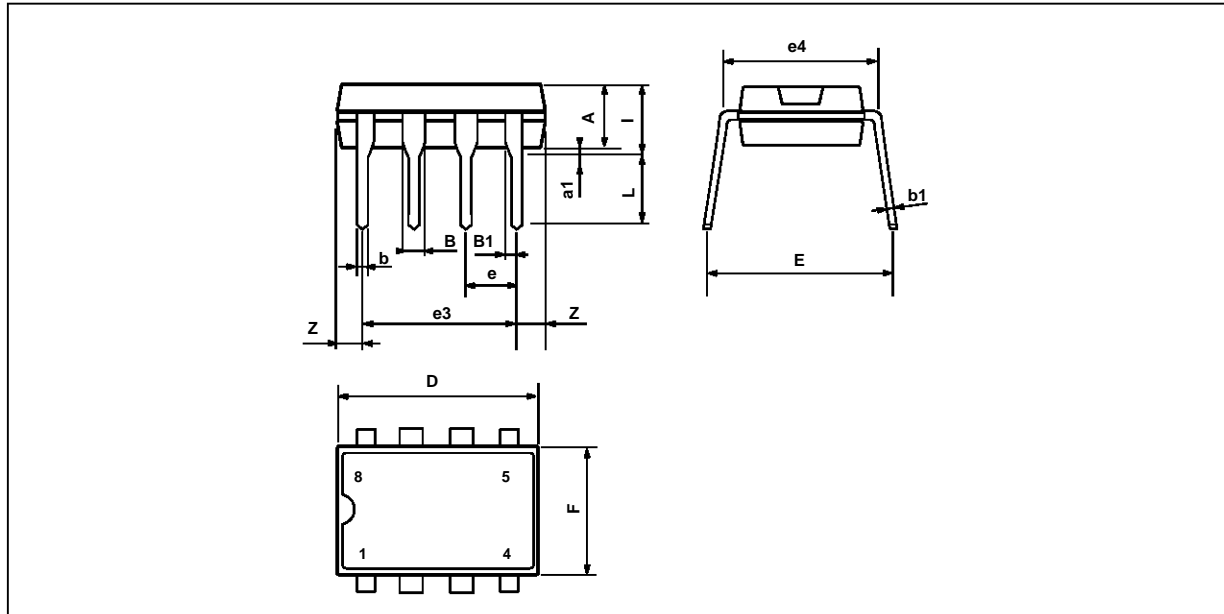


TYPICAL APPLICATION



- Maximum Power \cong 30W
- Operating Frequency \cong 30kHz

- ▨ Primary Ground
- ▽ Secondary Ground

PACKAGE MECHANICAL DATA
 8 PINS - PLASTIC DIP


PM-DIP8.EPS

Dimensions	Millimeters			Inches		
	Min.	Typ.	Max.	Min.	Typ.	Max.
A		3.32			0.131	
a1	0.51			0.020		
B	1.15		1.65	0.045		0.065
b	0.356		0.55	0.014		0.022
b1	0.204		0.304	0.008		0.012
D			10.92			0.430
E	7.95		9.75	0.313		0.384
e		2.54			0.100	
e3		7.62			0.300	
e4		7.62			0.300	
F			6.6			0.260
i			5.08			0.200
L	3.18		3.81	0.125		0.150
Z			1.52			0.060

DIP8.TBL

Information furnished is believed to be accurate and reliable. However, SGS-THOMSON Microelectronics assumes no responsibility for the consequences of use of such information nor for any infringement of patents or other rights of third parties which may result from its use. No licence is granted by implication or otherwise under any patent or patent rights of SGS-THOMSON Microelectronics. Specifications mentioned in this publication are subject to change without notice. This publication supersedes and replaces all information previously supplied. SGS-THOMSON Microelectronics products are not authorized for use as critical components in life support devices or systems without express written approval of SGS-THOMSON Microelectronics.

© 1994 SGS-THOMSON Microelectronics - All Rights Reserved

Purchase of I²C Components of SGS-THOMSON Microelectronics, conveys a license under the Philips I²C Patent. Rights to use these components in a I²C system, is granted provided that the system conforms to the I²C Standard Specifications as defined by Philips.

SGS-THOMSON Microelectronics GROUP OF COMPANIES

Australia - Brazil - China - France - Germany - Hong Kong - Italy - Japan - Korea - Malaysia - Malta - Morocco
 The Netherlands - Singapore - Spain - Sweden - Switzerland - Taiwan - Thailand - United Kingdom - U.S.A.