

# DATA SHEET

## **PCE84C486; PCE84C487** Microcontrollers for digital auto-sync and VST TV controller applications

Objective specification  
File under Integrated Circuits, IC14

1996 Feb 21

# Microcontrollers for digital auto-sync and VST TV controller applications

**PCE84C486;  
PCE84C487**

<b>CONTENTS</b>	14	<b>LIMITING VALUES</b>	
1	<b>FEATURES</b>	15	<b>DC CHARACTERISTICS</b>
1.1	General	16	<b>AC CHARACTERISTICS</b>
1.2	Special	17	<b>PACKAGE OUTLINES</b>
2	<b>GENERAL DESCRIPTION</b>	18	<b>SOLDERING</b>
3	<b>ORDERING INFORMATION</b>	18.1	Introduction
4	<b>BLOCK DIAGRAMS</b>	18.2	SDIP
5	<b>PINNING INFORMATION</b>	19	<b>DEFINITIONS</b>
5.1	Pinning	20	<b>LIFE SUPPORT APPLICATIONS</b>
5.2	Pin description	21	<b>PURCHASE OF PHILIPS I<sup>2</sup>C COMPONENTS</b>
6	<b>RESET</b>		
6.1	External reset using the $\overline{\text{RESET}}$ pin		
6.2	Power-on-reset		
6.3	Watchdog Timer reset		
6.4	Reset trip level		
6.5	Reset status		
7	<b>ANALOG (DC) CONTROL</b>		
7.1	6 and 7-bit PWM outputs		
7.2	8-bit PWM outputs		
7.3	14-bit PWM output (PWM8)		
7.4	A typical PWM output application		
8	<b>ANALOG-TO-DIGITAL CONVERTER (ADC)</b>		
8.1	Conversion algorithm		
8.2	A typical application for keypad detection		
9	<b>I<sup>2</sup>C-BUS INTERFACE</b>		
10	<b>8-BIT COUNTER (T3)</b>		
11	<b>WATCHDOG TIMER (WDT)</b>		
12	<b>OUTPUT PORTS</b>		
12.1	Mask options		
13	<b>DERIVATIVE REGISTERS</b>		



# Microcontrollers for digital auto-sync and VST TV controller applications

## PCE84C486; PCE84C487

### 1 FEATURES

#### 1.1 General

- CMOS 8-bit CPU (enhanced 8048 CPU) with 4 kbytes system ROM and 128 bytes system RAM
- One 8-bit timer/event counter (T1) and one 8-bit counter (T3) triggered by external input
- Three single level vectored interrupt sources: external (INTN), counter/timer and I<sup>2</sup>C-bus
- 2 directly testable inputs T0 and T1
- On-chip oscillator clock frequency: 1 to 10 MHz
- On-chip Power-on-reset with low power detector
- The PCE84C486 has eleven quasi-bidirectional I/O lines, the PCE84C487 has twelve. The configuration of each I/O line individually selected by mask option
- Idle and Stop modes for reduced power consumption
- Operating temperature: -25 to +85 °C
- Operating voltage: 4.5 to 5.5 V
- Packages: SDIP32 for the PCE84C486; SDIP42 for the PCE84C487.

#### 1.2 Special

- Master-slave I<sup>2</sup>C-bus interface
- Four 6-bit Pulse Width Modulated outputs
- Four 7-bit Pulse Width Modulated outputs
- Four 8-bit Pulse Width Modulated outputs (PCE84C487 only)
- One 14-bit Pulse Width Modulated output
- Two 4-bit Analog-to-Digital Converter (ADC) channels
- 14 derivative I/O ports
- Watchdog Timer.

### 3 ORDERING INFORMATION

TYPE NUMBER	PACKAGE		
	NAME	DESCRIPTION	VERSION
PCE84C486	SDIP32	plastic shrink dual in-line package; 32 leads (400 mil)	SOT232-1
PCE84C487	SDIP42	plastic shrink dual in-line package; 42 leads (600 mil)	SOT270-1

### 2 GENERAL DESCRIPTION

The PCE84C486 and PCE84C487 are low-cost microcontrollers and have been designed for use with auto-sync monitors, handling mode detection, digital control and Voltage Synthesized Tuning (VST). These microcontrollers have no on-chip OSD function.

The term PCE84C48X is used throughout this data sheet to refer to both devices. Differences between the PCE84C486 and the PCE84C487 are highlighted throughout the document.

The PCE84C48X is a member of the 84CXXX CMOS microcontroller family. The device uses the PCE84CXX processor core and has 4 kbytes of ROM and 128 bytes of RAM. I/O requirements are catered for with 11 general purpose bidirectional I/O lines (the PCE84C487 has 12) plus 12 function combined I/O lines (the PCE84C487 has 16). Nine PWM analog outputs (the PCE84C487 has 13) are available for analog control purposes and also a two channel 4-bit ADC. The device has an 8-bit counter (T3), for use in pulse counting applications and also an 8-bit timer/counter (T1) with programmable clock. A Watchdog timer, a master-slave I<sup>2</sup>C-bus interface and 2 directly testable lines are also available on-chip.

The block diagram of the PCE84C486 is shown in Fig.1; the block diagram of the PCE84C487 is shown in Fig.2.

Microcontrollers for digital auto-sync and VST TV controller applications

PCE84C486; PCE84C487

4 BLOCK DIAGRAMS

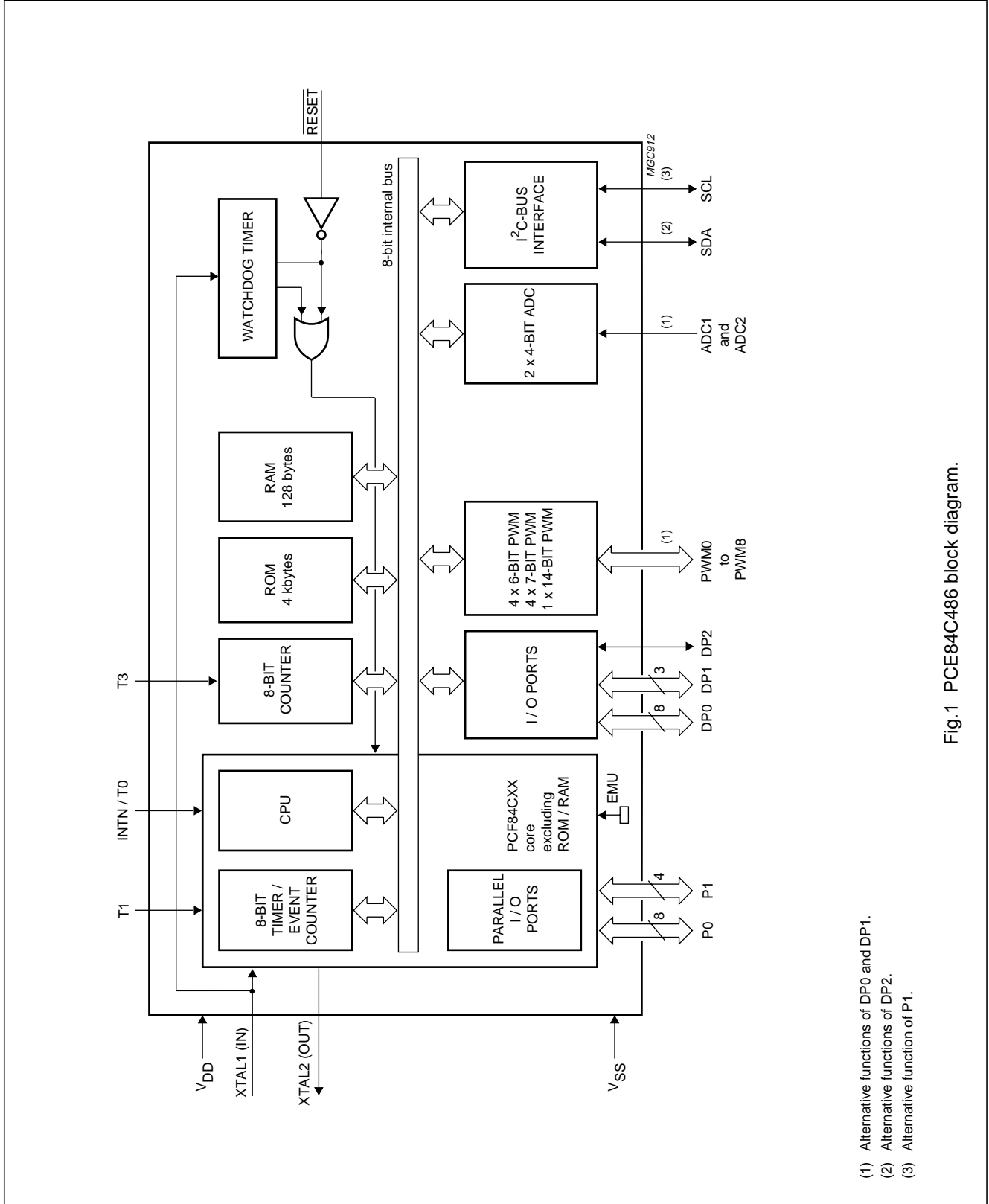


Fig.1 PCE84C486 block diagram.

- (1) Alternative functions of DP0 and DP1.
- (2) Alternative functions of DP2.
- (3) Alternative function of P1.

Microcontrollers for digital auto-sync and VST TV controller applications

PCE84C486; PCE84C487

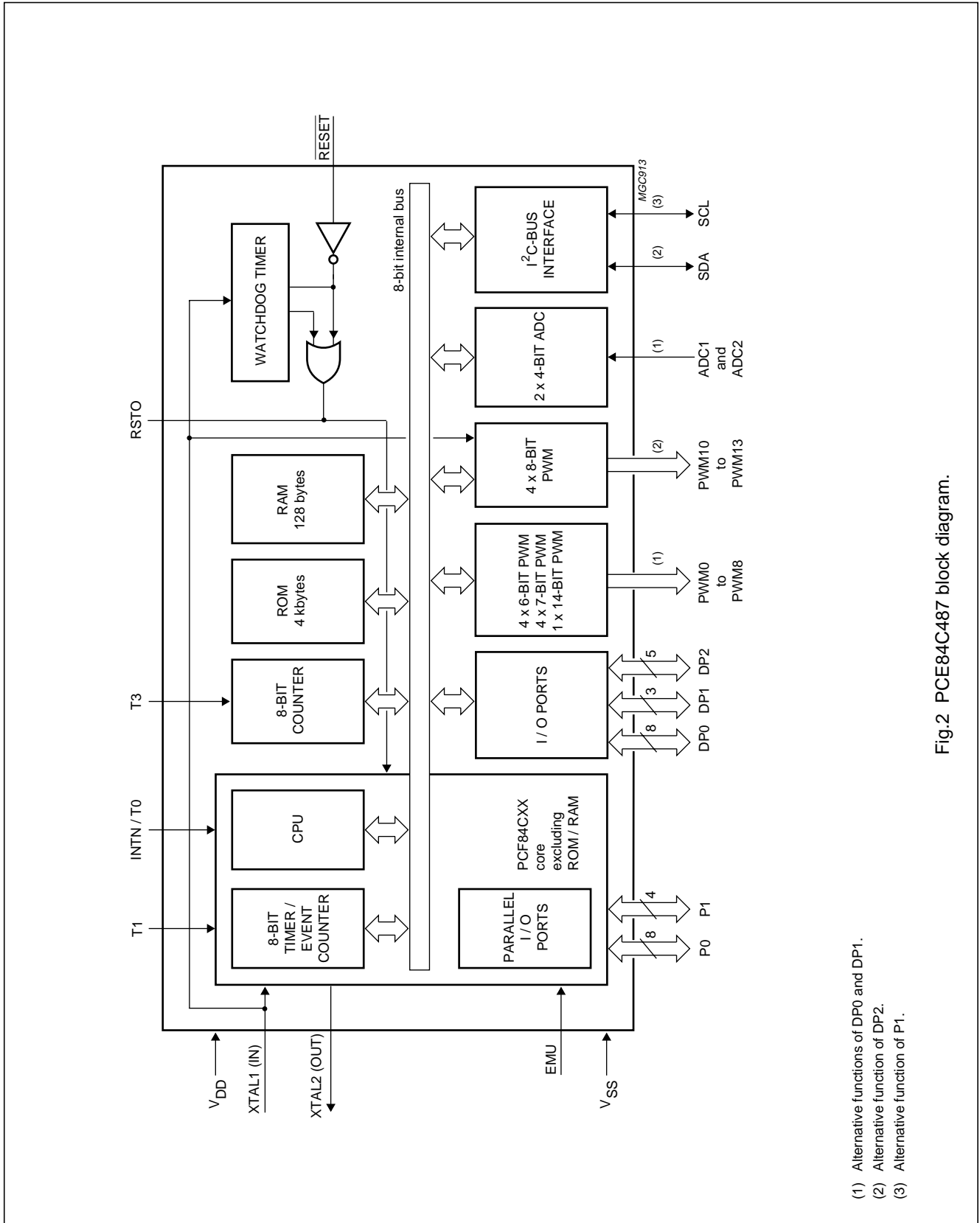


Fig.2 PCE84C487 block diagram.

- (1) Alternative functions of DP0 and DP1.
- (2) Alternative function of DP2.
- (3) Alternative function of P1.

Microcontrollers for digital auto-sync and VST TV controller applications

PCE84C486; PCE84C487

5 PINNING INFORMATION

5.1 Pinning

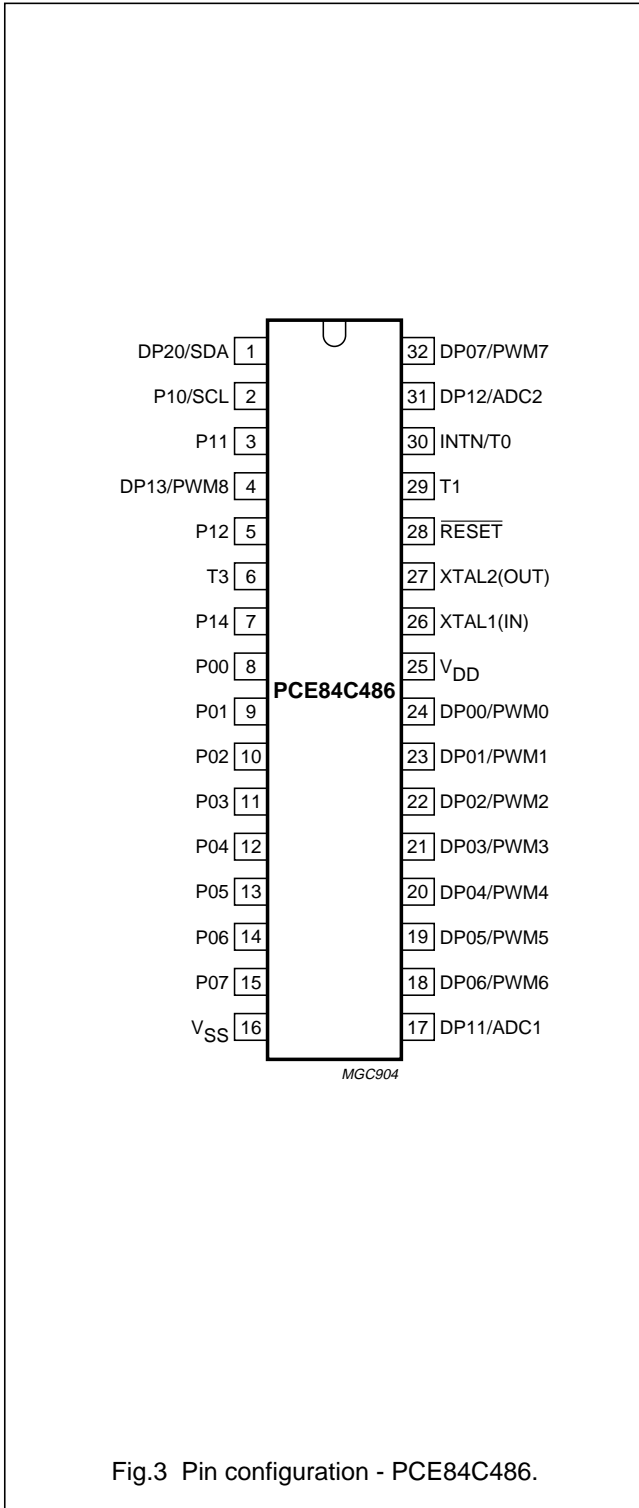


Fig.3 Pin configuration - PCE84C486.

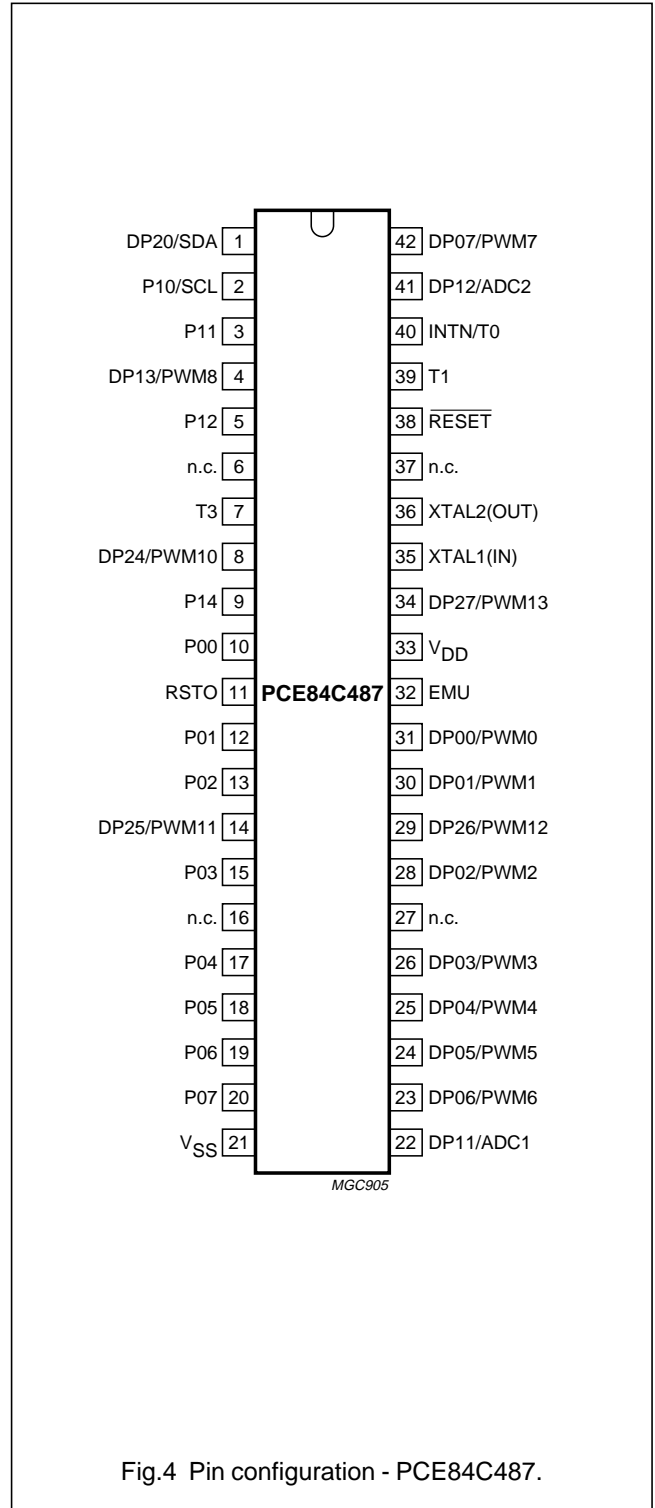


Fig.4 Pin configuration - PCE84C487.

## Microcontrollers for digital auto-sync and VST TV controller applications

PCE84C486; PCE84C487

### 5.2 Pin description

**Table 1** SDIP32 package

SYMBOL	PIN	DESCRIPTION
DP20/SDA	1	Derivative port line 20 or I <sup>2</sup> C-bus data line.
P10/SCL	2	Port line 10 or I <sup>2</sup> C-bus clock line or emulation input $\overline{\text{DXWR}}$ .
P11	3	Port line 11 or emulation input $\overline{\text{DXRD}}$ .
DP13/PWM8	4	Derivative I/O port 13 or PWM8 output.
P12	5	Port line 12 or emulation input $\overline{\text{DXALE}}$ .
T3	6	8-bit counter input (Schmitt trigger).
P14	7	Port line 14 or emulation output $\overline{\text{DXINT}}$ .
P00 to P07	8 to 15	General I/O port lines.
V <sub>SS</sub>	16	Ground pin.
DP11/ADC1	17	Derivative I/O port 11 or ADC Channel 1 input.
DP00/PWM0 to DP07/PWM7	24 to 18, 32	Derivative I/O ports or 6 and 7-bit PWM outputs.
V <sub>DD</sub>	25	Power supply.
XTAL1 (IN)	26	Oscillator input pin for system clock.
XTAL2 (OUT)	27	Oscillator output pin for system clock.
$\overline{\text{RESET}}$	28	Reset input; active LOW input initializes device.
T1	29	Direct testable pin or event counter input.
INTN/T0	30	External interrupt or direct testable pin.
DP12/ADC2	31	Derivative I/O port 12 or ADC Channel 2 input.

## Microcontrollers for digital auto-sync and VST TV controller applications

PCE84C486; PCE84C487

**Table 2** SDIP42 package

SYMBOL	PIN	DESCRIPTION
DP20/SDA	1	Derivative port line 20 or I <sup>2</sup> C-bus data line.
P10/SCL	2	Port line 10 or I <sup>2</sup> C-bus clock line or emulation input $\overline{\text{DXWR}}$ .
P11	3	Port line 11 or emulation input $\overline{\text{DXRD}}$ .
DP13/PWM8	4	Derivative I/O port 13 or PWM8 output.
P12	5	Port line 12 or emulation input $\overline{\text{DXALE}}$ .
n.c.	6	Not connected.
T3	7	8-bit counter input (Schmitt trigger).
DP24/PWM10 to DP27/PWM13	8, 14, 29, 34	Derivative I/O ports or 8-bit PWM outputs.
P14	9	Port line 14 or emulation output $\overline{\text{DXINT}}$ .
P00 to P07	10, 12, 13, 15, 17, 18, 19, 20	General I/O port lines.
RSTO	11	Used for emulation purposes only. This active HIGH output is the result of the OR operation carried out internally on the $\overline{\text{RESET}}$ input and the Watchdog Timer reset line.
n.c.	16	Not connected.
V <sub>SS</sub>	21	Ground pin.
DP11/ADC1	22	Derivative I/O port 11 or ADC channel 1 input.
DP04/PWM4 to DP07/PWM7	25, 24, 23, 42	Derivative I/O ports or 6-bit PWM outputs.
n.c.	27	Not connected.
DP00/PWM0 to DP03/PWM3	31, 30, 28, 26	Derivative I/O ports or 7-bit PWM outputs.
EMU	32	Emulation mode control input, normally LOW.
V <sub>DD</sub>	33	Power supply.
XTAL1 (IN)	35	Oscillator input pin for system clock.
XTAL2 (OUT)	36	Oscillator output pin for system clock.
n.c.	37	Not connected.
$\overline{\text{RESET}}$	38	Reset input; active LOW input initializes device.
T1	39	Direct testable pin or event counter input.
INTN/T0	40	External interrupt or direct testable pin.
DP12/ADC2	41	Derivative I/O port 12 or ADC Channel 2 input.



Microcontrollers for digital auto-sync and VST TV controller applications

PCE84C486; PCE84C487

6 RESET

To initialize the microcontroller to a defined state a reset operation is performed. A reset can be generated in three ways:

- applying an external signal to the  $\overline{\text{RESET}}$  pin
- via Power-on-reset circuitry
- by the Watchdog Timer.

6.1 External reset using the  $\overline{\text{RESET}}$  pin

An active LOW signal from an external logic device will reset the device. The signal must be maintained long enough to allow  $V_{DD}$  to reach its  $f_{xtal}$ -dependent minimum operating voltage.

6.2 Power-on-reset

A Power-on-reset can be generated using an external RC circuit. To avoid overload of the internal diode, an external diode should be added in parallel if  $C_{\text{RESET}} \geq 2.2 \mu\text{F}$ . The RC circuit is shown in Fig.5.

6.3 Watchdog Timer reset

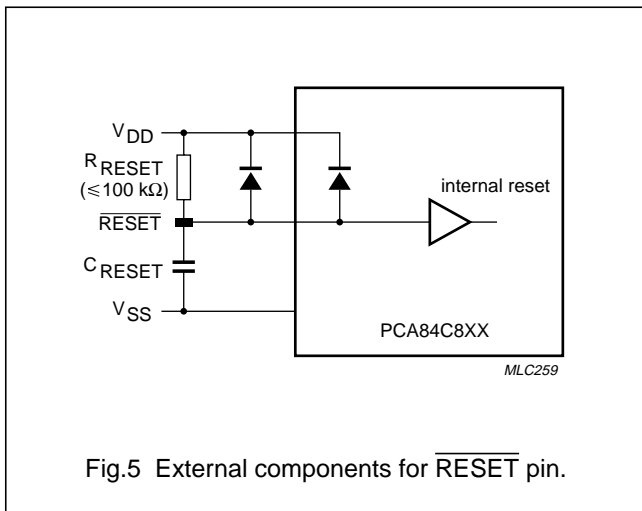
An overflow of the Watchdog Timer will cause the device to be reset. The operation of the Watchdog Timer is described in Chapter 12.

6.4 Reset trip level

The RESET trip voltage level for both the PCE84C486 and PCE84C487 is masked to 1.3 V.

6.5 Reset status

- Derivative Registers reset status; see Table 8 for details
- Program Counter 00H
- Memory Bank 0
- Register Bank 0
- Stack Pointer 00H
- All interrupts disabled
- Timer/event counter 1 stopped and cleared
- Timer pre-scaler modulo-32 ( $\text{PS} = 0$ )
- Timer flag cleared
- Serial I/O interface disabled ( $\text{ESO} = 0$ ) and in slave receiver mode
- Idle and Stop mode cleared.



## Microcontrollers for digital auto-sync and VST TV controller applications

## PCE84C486; PCE84C487

### 7 ANALOG (DC) CONTROL

The PCE84C486 has nine Pulse Width Modulated outputs (PWM0 to PWM8) and the PCE84C487 has thirteen Pulse Width Modulated outputs (PWM0 to PWM8 and PWM10 to PWM13). These outputs are used for analog control purposes e.g. brightness, contrast, H-shift, V-shift, H-width, V-size, pin-cushion, trapezium, R (or G or B) gain control, sound volume etc. Each PWM output generates a pulse pattern with a programmable duty cycle.

The PWM outputs are specified below:

- PWM0 to PWM3: 4 PWM outputs with 7-bit resolution
- PWM4 to PWM7: 4 PWM outputs with 6-bit resolution
- PWM8: 1 PWM output with 14-bit resolution
- PWM10 to PWM13: 4 PWM outputs with 8-bit resolution.

The 6 and 7-bit PWM outputs are described in Section 7.1; the 8-bit PWM outputs are described in Section 7.2 and the 14-bit PWM output is described in Section 7.3. A typical PWM output application is described in Section 7.4.

#### 7.1 6 and 7-bit PWM outputs

The block diagram for the 6 and 7-bit PWM outputs is shown in Fig.6.

Pulse Width Modulated outputs PWM0 to PWM7 share the same pins as Derivative Port lines DP00 to DP07, respectively. Selection of the pin function as either a PWM output or a Derivative Port line is achieved using the appropriate PWMnE bit in the PWME1 Register (see Table 8).

The polarity of the 6 and 7-bit PWM outputs is programmable and is selected by the P7LVL or the P6LVL bit in the CON2 Register (see Table 8). The state of the P7LVL bit determines the polarity of the 7-bit PWMs; the state of the P6LVL bit determines the polarity of the 6-bit PWMs.

The duty cycle of each PWM output is dependent upon the programmable contents of its associated data latch (PWM0 to PWM7 Registers respectively). As the clock frequency of each PWM circuit is  $\frac{1}{3} \times f_{xtal}$ , the pulse width of the pulse generated can be calculated as shown below.

$$\text{Pulse width} = \frac{3 \times (\text{PWMn})}{f_{xtal}}$$

Where (PWMn) is the decimal value held in the data latch.

The maximum repetition frequency ( $f_{PWM}$ ) of the 6 and 7-bit PWM outputs is shown below.

$$\text{For the 6-bit PWM outputs: } f_{PWM} = \frac{f_{xtal}}{192}$$

$$\text{For the 7-bit PWM outputs: } f_{PWM} = \frac{f_{xtal}}{384}$$

#### 7.2 8-bit PWM outputs

The block diagram for the 8-bit PWM outputs is shown in Fig.8.

The 8-bit PWM outputs PWM10 to PWM13 (only available with the PCE84C487) share the same pins as Derivative Port lines DP24 to DP27, respectively. Selection of the pin function as either a PWM output or a Derivative Port line is achieved using the appropriate PWMnE bit in the PWME2 Register (see Table 8). In the PCE84C486 the contents of the PWME2 register should be set so that these PWM outputs are disabled (i.e 00H).

The polarity of the 8-bit PWM outputs is programmable and is selected by the P8LVL bit in the CON2 Register.

The duty cycle of each 8-bit PWM output is dependent upon the programmable contents of its associated data latch (PWM10 to PWM13 Registers respectively). As the clock frequency of each PWM circuit is  $f_{xtal}$ , the pulse width of the pulse generated can be calculated as shown below.

$$\text{Pulse width} = \frac{(\text{PWMn})}{f_{xtal}}$$

Where (PWMn) is the decimal value held in the data latch.

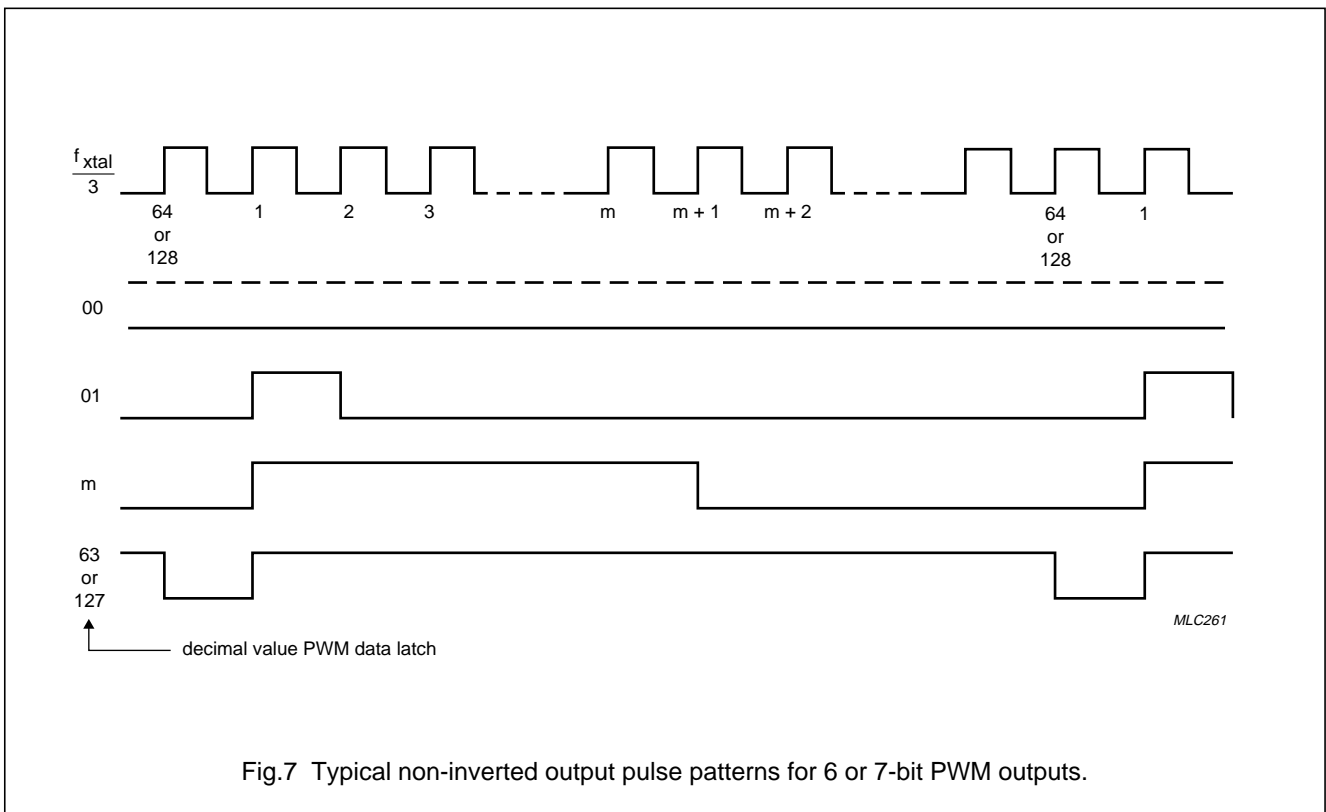
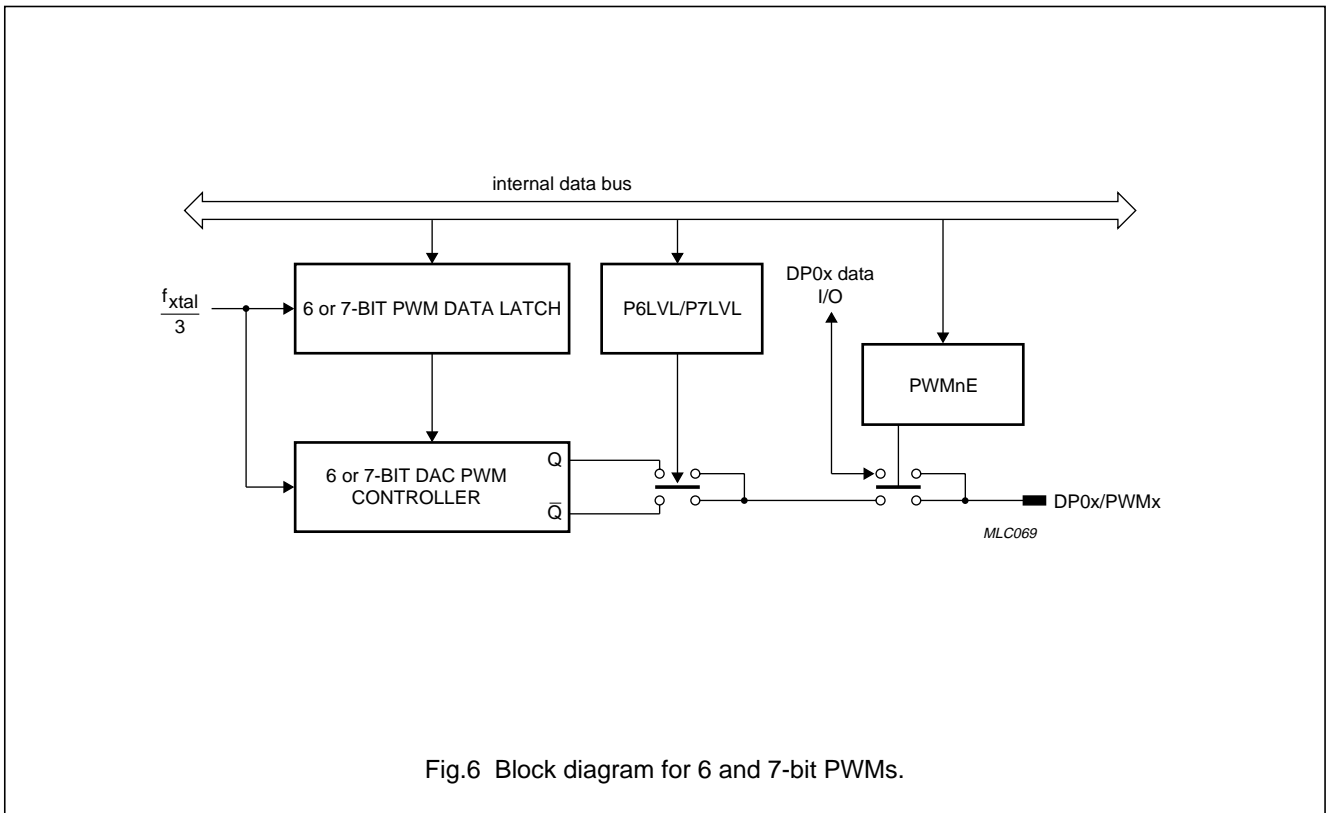
The maximum repetition frequency ( $f_{PWM}$ ) of the 8-bit PWM outputs is shown below.

$$f_{PWM} = \frac{f_{xtal}}{256}$$

An 8-bit PWM output is driven HIGH when the value held in its data latch is 00H. This is different to the 6 and 7-bit PWM outputs which are driven LOW when their data latches contain 00H.

Microcontrollers for digital auto-sync and VST TV controller applications

PCE84C486; PCE84C487



Microcontrollers for digital auto-sync and VST TV controller applications

PCE84C486; PCE84C487

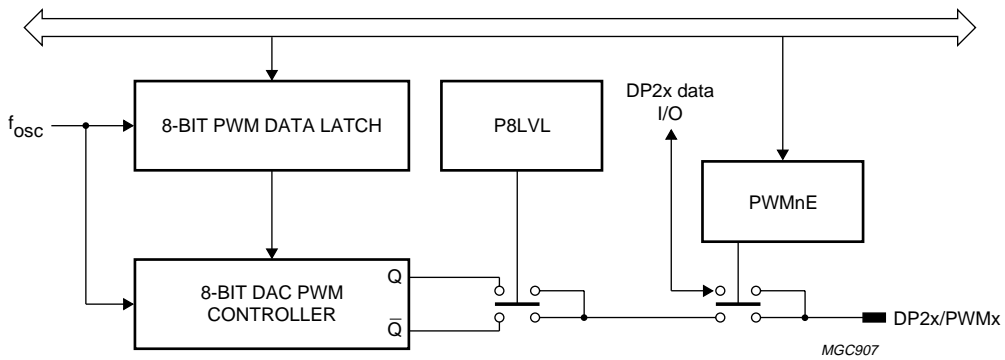


Fig.8 Block diagram for 8-bit PWMs.

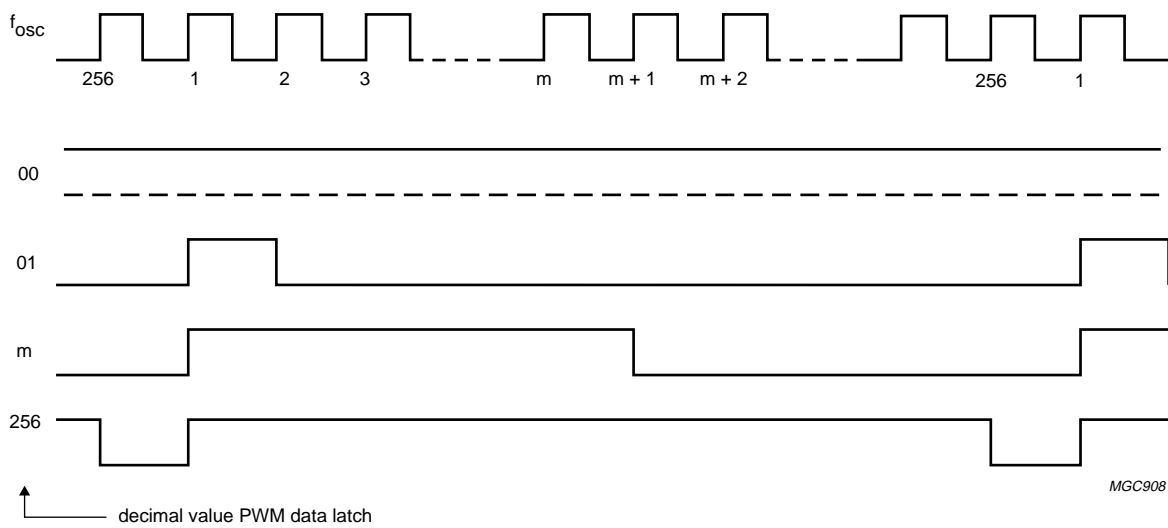


Fig.9 Typical non-inverted output pulse patterns for 8-bit PWM outputs.

# Microcontrollers for digital auto-sync and VST TV controller applications

## PCE84C486; PCE84C487

### 7.3 14-bit PWM output (PWM8)

The 14-bit PWM output can be used to generate the Automatic Frequency Control (AFC) signal used in VST applications.

PWM8 shares the same pin as Derivative Port line DP13. Selection of the pin function as either a PWM output or as a Derivative Port line is achieved using the PWM8E bit in Register 22.

The Block diagram for the 14-bit PWM output is shown in Fig.10 and comprises:

- Two 7-bit latches: PWM8L (Register 18) and PWM8H (Register 19)
- 14-bit data latch (PWMREG)
- 14-bit counter
- Coarse pulse controller
- Fine pulse controller
- Mixer.

Data is loaded into the 14-bit data latch (PWMREG) from the two 7-bit data latches (PWM8H and PWM8L) when PWM8L is written to. The contents of PWMREG determine the active time of the PWM8 output. The upper seven bits of PWMREG are used by the coarse pulse controller and determine the coarse pulse width; the lower seven bits are used by the fine pulse controller and determine in which subperiods fine pulses will be added. The outputs OUT1 and OUT2 of the coarse and fine pulse controllers are 'ORED' in the mixer to give the PWM8 output. The polarity of the PWM8 output is programmable and is selected by the P8LVL bit in Register 23.

As the 14-bit counter is clocked by  $\frac{1}{3} \times f_{xtal}$ , the repetition times of the coarse and fine pulse controllers may be calculated as shown below.

$$\text{Coarse controller repetition time: } t_{sub} = \frac{384}{f_{xtal}}$$

$$\text{Fine controller repetition time: } t_r = \frac{49152}{f_{xtal}}$$

Figure 11 shows typical PWM8 outputs, with coarse adjustment only, for different values held in PWM8H. Note that the PWM8 coarse controller output is the same as the 7-bit PWM outputs except the polarity is reversed.

Figure 12 shows typical PWM8 outputs, with coarse and fine adjustment, after the coarse and fine pulse controller outputs have been 'ORED' by the mixer.

#### 7.3.1 COARSE ADJUSTMENT

An active HIGH pulse is generated in every subperiod; the pulse width being determined by the contents of PWM8H. The coarse output (OUT1) is LOW at the start of each subperiod and will remain LOW until the time

$[3/f_{xtal} \times (PWM8H + 1)]$  has elapsed. The output will then go HIGH and remain HIGH until the start of the next subperiod. The coarse pulse width may be calculated as shown below.

$$\text{Pulse duration} = (127 - PWM8H) \times \frac{3}{f_{xtal}}$$

#### 7.3.2 FINE ADJUSTMENT

Fine adjustment is achieved by generating an additional pulse in specific subperiods. The pulse is added at the start of the selected subperiod and has a pulse width of  $3/f_{xtal}$ . The contents of PWM8L determine in which subperiods a fine pulse will be added. It is the logic 0 state of the value held in PWM8L that actually selects the subperiods. When more than one bit is a logic 0 then the subperiods selected will be a combination of those subperiods specified in Table 3. For example, if PWM8L = 111 1010 then this is a combination of:

- PWM8L = 111 1110: subperiod 64 and
- PWM8L = 111 1011: subperiods 16, 48, 80 and 112.

Pulses will be added in subperiods 16, 48, 64, 80 and 112. This example is illustrated in Fig.13.

When PWM8L holds 111 1111 fine adjustment is inhibited and the PWM8 output is determined only by the contents of PWM8H.

**Table 3** Additional pulse distribution

PWM8L	ADDITIONAL PULSE IN SUBPERIOD
111 1110	64
111 1101	32 and 96
111 1011	16, 48, 80 and 112
111 0111	8, 24, 40, 56, 72, 88, 104 and 120
110 1111	4, 12, 20, 28, 36, 44, 52...116 and 124
101 1111	2, 6, 10, 14, 18, 22, 26, 30...122 and 126
011 1111	1, 3, 5, 7, 9, 11, 13, 15, 17...125 and 127

Microcontrollers for digital auto-sync and VST TV controller applications

PCE84C486; PCE84C487

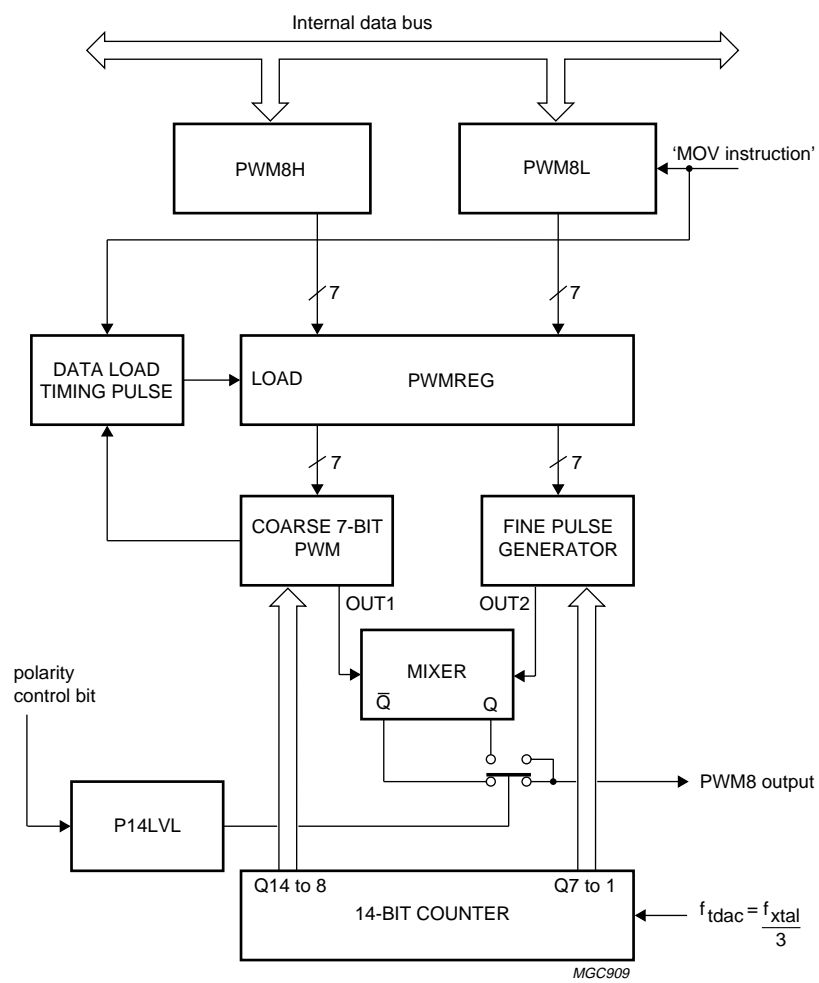


Fig.10 14-bit PWM Block diagram.

Microcontrollers for digital auto-sync and VST TV controller applications

PCE84C486; PCE84C487

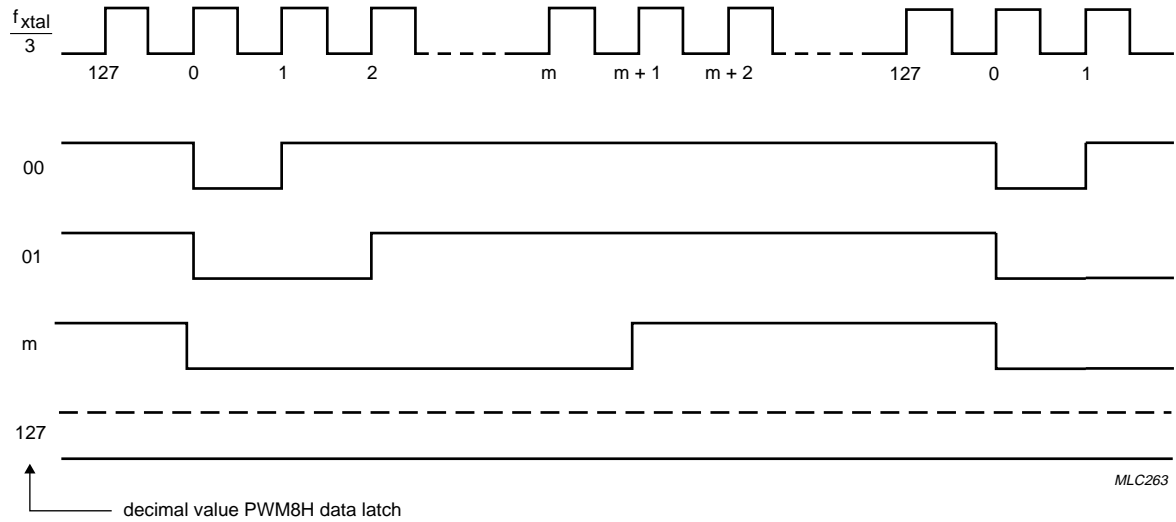


Fig.11 Non-inverted PWM8 output patterns - Coarse adjustment only.

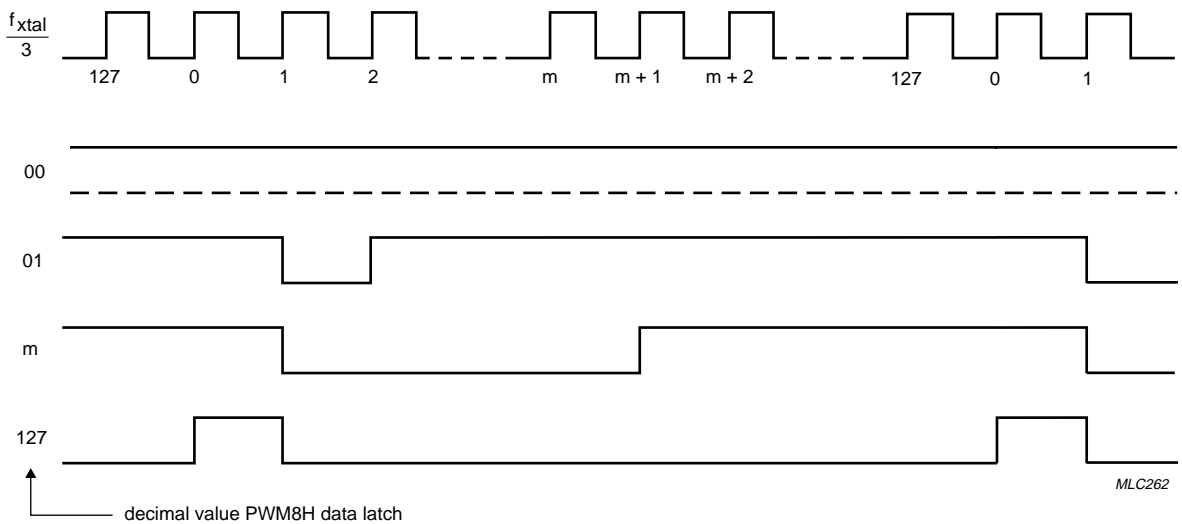


Fig.12 Non-inverted PWM8 output patterns - Coarse and Fine adjustment.

Microcontrollers for digital auto-sync and VST TV controller applications

PCE84C486; PCE84C487

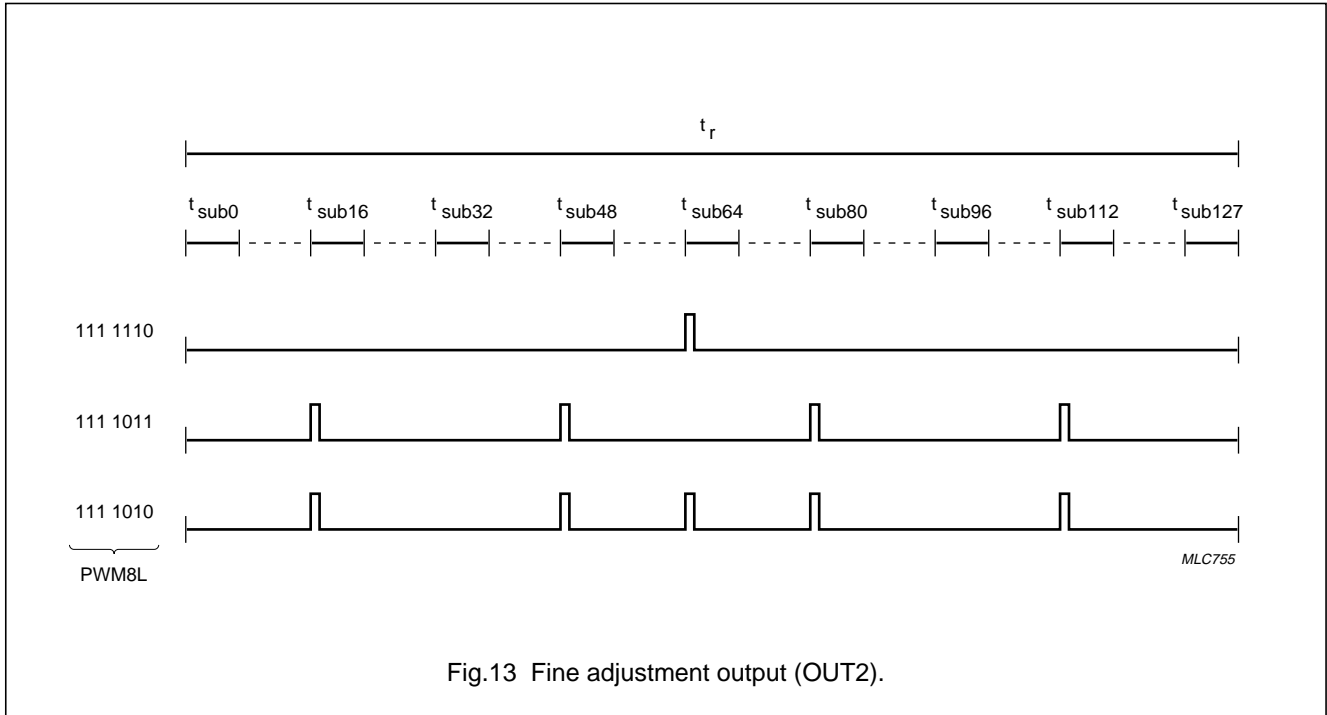


Fig.13 Fine adjustment output (OUT2).

7.4 A typical PWM output application

A typical PWM application is shown in Fig.14. R1 and C1 form an integration network the time constant of which should be at least 5 times greater than the repetition period of the PWM output pattern. In order to smooth a changing PWM output a high value of C1 should be chosen. The value of C1 will normally be in the range 1 to 10 μF. The potential divider chain formed by R2 and R3 is used only when the output voltage is to be offset. The output voltages for this application are calculated using Equations (1) and (2).

$$V_{max} = \frac{R3 \times \text{supply voltage}}{R3 + \frac{R1 \times R2}{R1 + R2}} \quad (1)$$

$$V_{min} = \frac{\frac{R1 \times R3}{R1 + R3} \times \text{supply voltage}}{R2 + \frac{R1 \times R3}{R1 + R3}} \quad (2)$$

The loop from the PWM pin through R1 and C1 to V<sub>SS</sub> will radiate high frequency energy pulses. In order to limit the effect of this unwanted radiation source, the loop should be kept short and a high value of R1 selected. The value of R1 will normally be in the range 3.3 to 100 kΩ. It is good practice to avoid sharing V<sub>SS</sub> with the return leads of other sensitive signals.

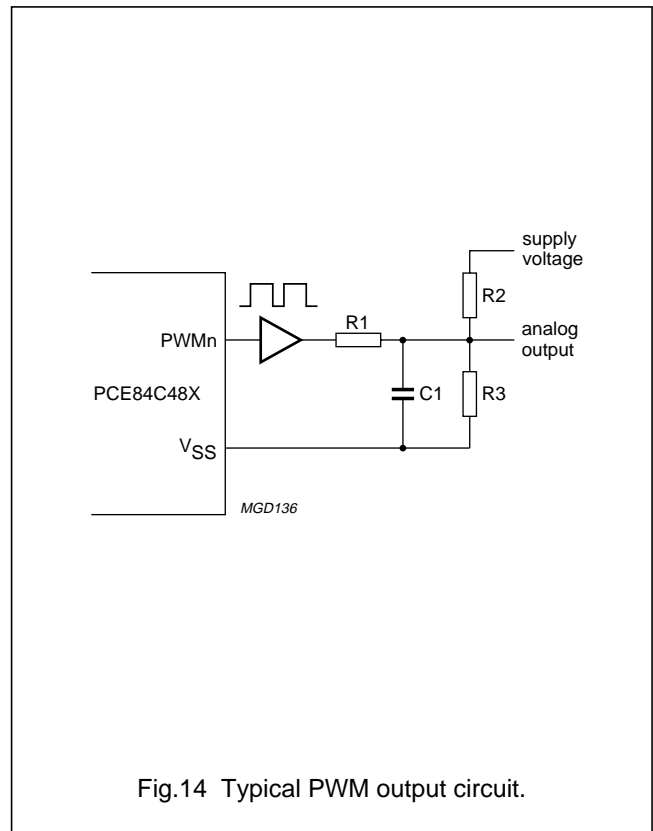


Fig.14 Typical PWM output circuit.



Microcontrollers for digital auto-sync and VST TV controller applications

PCE84C486; PCE84C487

8 ANALOG-TO-DIGITAL CONVERTER (ADC)

The two-channel ADC comprises a 4-bit Digital-to-Analog Converter (DAC); a comparator; an analog channel selector and control circuitry. As the digital input to the 4-bit DAC is loaded by software (a subroutine in the program), it is known as a software ADC. The block diagram is shown in Fig.15.

The ADC inputs ADC1 and ADC2 share the same pins as Derivative Port lines DP11 and DP12 respectively. Selection of the pin function as either an ADC input or as a Derivative Port line is achieved using bits ADCE1 and ADCE2 in Register 22. When ADCE<sub>n</sub> = 1, the ADC function is enabled.

The 4-bit DAC analog output voltage (V<sub>ref</sub>) is determined by the decimal value of the data held in bits DAC0 to DAC3 of Register 20. V<sub>ref</sub> is calculated as shown in Equation (3) and Table 4 lists the V<sub>ref</sub> values assuming V<sub>DD</sub> = 5 V.

$$V_{ref} = \frac{V_{DD}}{16} \times (\text{DAC value} + 1) \tag{3}$$

When the analog input voltage is higher than V<sub>ref</sub>, the COMP bit in Register 20 will be HIGH.

Table 4 Selection of V<sub>ref</sub>

DAC3	DAC2	DAC1	DAC0	V <sub>ref</sub> (V)
0	0	0	0	0.3125
0	0	0	1	0.6250
0	0	1	0	0.9375
0	0	1	1	1.2500
0	1	0	0	1.5625
0	1	0	1	1.8750
0	1	1	0	2.1875
0	1	1	1	2.5000
1	0	0	0	2.8125
1	0	0	1	3.1250
1	0	1	0	3.4375
1	0	1	1	3.7500
1	1	0	0	4.0625
1	1	0	1	4.3750
1	1	1	0	4.6875
1	1	1	1	5.0000

The ADC channel selector is controlled by the ADCS1 and ADCS0 bits in Register 20. The channels are selected as shown in Table 5.

Table 5 Selection of ADC channel

ADCS1	ADCS0	CHANNEL SELECTED
0	0	not allowed
0	1	ADC1
1	0	ADC2
1	1	not allowed

8.1 Conversion algorithm

There are many algorithms available to achieve the ADC conversion. The algorithm described below and shown in Fig.16 uses an iteration process.

1. Enable and then select the ADC channel for conversion. Channel selection is achieved using bits ADCS1 and ADCS0 in Register 20.
2. Set the digital input to the DAC to 1000. The digital input to the DAC is selected using bits DAC3 to DAC0 in Register 20.
3. Determine the result of the compare operation. This is achieved by reading the COMP bit in Register 20 using the instruction MOV A, D20H. If COMP = 1; the analog input voltage is higher than the reference voltage (V<sub>ref</sub>). If COMP = 0; the analog input voltage is lower than the reference voltage (V<sub>ref</sub>).
4. If COMP = 1; then the analog input voltage is higher than the reference voltage (V<sub>ref</sub>) and therefore the digital input to the DAC needs to be increased. Set the input to the DAC to 1100.
5. If COMP = 0; then the analog input voltage is lower than the reference voltage (V<sub>ref</sub>) and therefore the digital input to the DAC needs to be decreased. Set the input to the DAC to 0100.
6. Determine the result of the compare operation by reading the COMP bit in Register 20.

Microcontrollers for digital auto-sync and VST TV controller applications

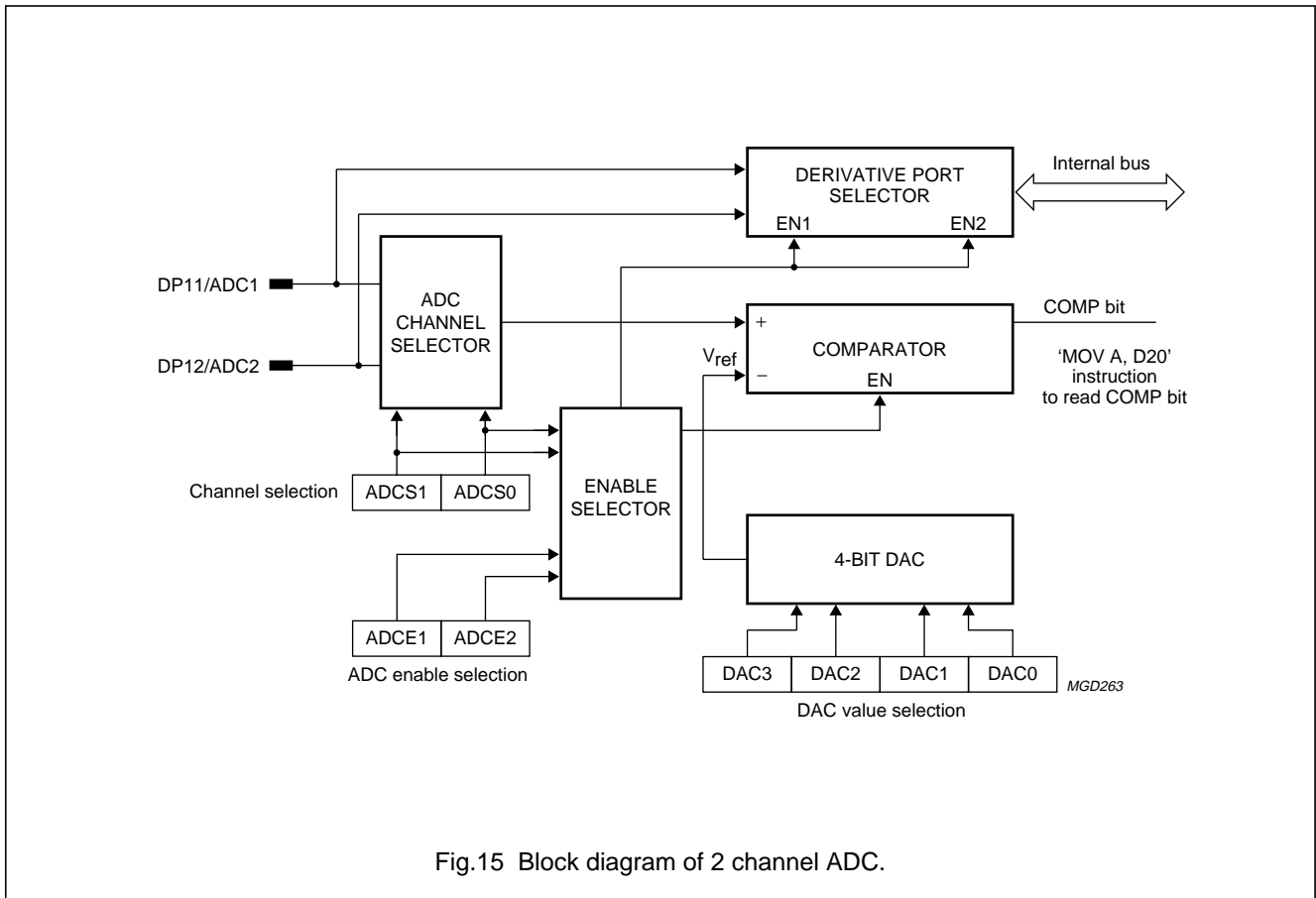
PCE84C486; PCE84C487

- 7. For the DAC = 1100 case  
 If COMP = 1; then the analog input voltage is still greater than  $V_{ref}$  and therefore the digital input to the DAC needs to be increased again. Set the input to the DAC to 1110.  
 If COMP = 0; then the analog input voltage is now less than  $V_{ref}$  and therefore the digital input to the DAC needs to be decreased. Set the input to the DAC to 1010.
- 8. For the DAC = 0100 case  
 If COMP = 1; then the analog input voltage is now greater than  $V_{ref}$  and therefore the digital input to the DAC needs to be increased. Set the input to the DAC to 0110.  
 If COMP = 0; then the analog input voltage is still lower than  $V_{ref}$  and therefore the digital input to the DAC needs to be decreased again. Set the input to the DAC to 0010.

- 9. The operations detailed in 6, 7 and 8 above are repeated and each time the digital input to the DAC is changed accordingly; as dictated by the state of the COMP bit. The complete process is shown in Fig.16. Each time the DAC input is changed the number of values which the analog input can take is reduced by half. In this manner the actual analog value is honed into. The value of the analog input ( $V_A$ ) is determined using Equation (4):

$$V_A = \frac{V_{DD}}{16} \times (\text{DAC value} + 1) \tag{4}$$

As the conversion time of each compare operation is greater than 6  $\mu\text{s}$  but less than 9  $\mu\text{s}$ ; a NOP instruction is recommended to be used in between the instructions that change the value of  $V_{ref}$ ; select the ADC channel and read the COMP bit.



Microcontrollers for digital auto-sync and VST TV controller applications

PCE84C486; PCE84C487

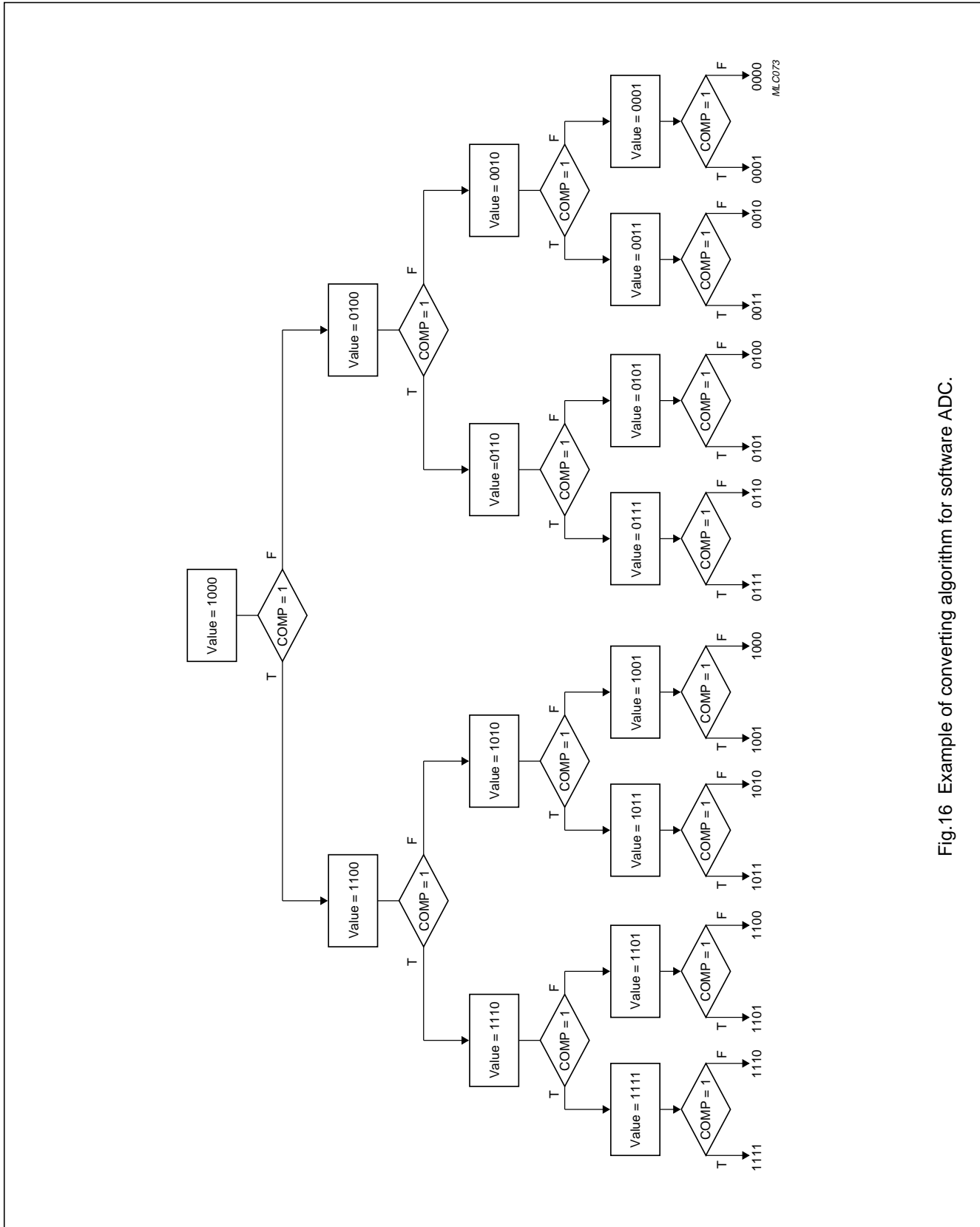


Fig.16 Example of converting algorithm for software ADC.

# Microcontrollers for digital auto-sync and VST TV controller applications

## PCE84C486; PCE84C487

### 8.2 A typical application for keypad detection

The ADC channels of the PCE84C48X can be used in keypad applications to detect and identify the operation of individual keys. The circuit for a 14-key application is shown in Fig.17.

When no key is depressed the input voltage at the ADC input pin will be greater than  $\frac{15}{16}V_{DD}$  and if the DAC value selected is 1110 then the COMP bit will be HIGH. When any key is depressed the input voltage at the ADC input pin will change, and as each key will generate its own unique input voltage, this can be measured by the ADC channel and the actual key depressed can then be identified.

The input voltage generated by the operation of any key (ignoring the effect of the 100 kΩ resistor) can be calculated as follows:

$$V_{ADCn} = \left[ \frac{(n - 0.5)}{16} \right] \times V_{DD}$$

Where n is the key number and can take any integer value in the range 1 to 14.

The input voltage at the ADC input will be influenced by the tolerance of the resistors and the length of the cable connecting the keypad to the monitor. In the worse case situation this may reduce the number of keys that can be uniquely detected and identified.

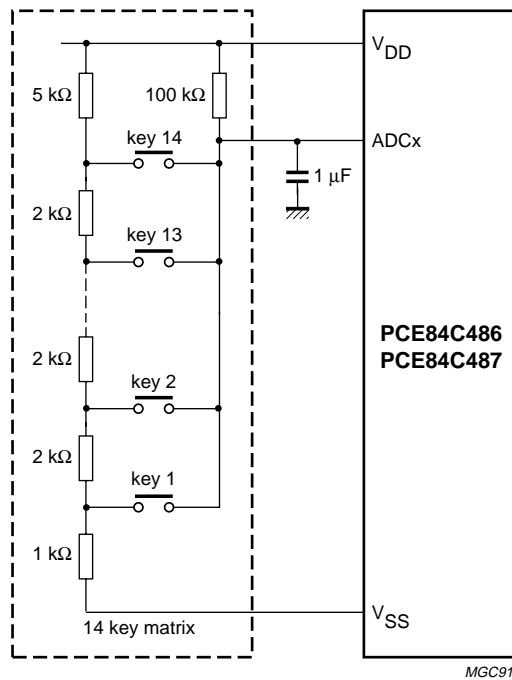


Fig.17 A typical ADC application for keypad detection.

# Microcontrollers for digital auto-sync and VST TV controller applications

## PCE84C486; PCE84C487

### 9 I<sup>2</sup>C-BUS INTERFACE

The PCE84C48X has an on-chip I<sup>2</sup>C-bus interface that can be used in master or slave mode. Full details of the I<sup>2</sup>C-bus are given in the document "The I<sup>2</sup>C-bus and how to use it". This document may be ordered using the code 9398 393 40011.

The I<sup>2</sup>C-bus interface lines SDA and SCL share the same pins as port lines DP20 and P10 respectively. Selection of the pin function as either an I<sup>2</sup>C-bus line or a port line is achieved using the SDAE and SCLE bits in Derivative Register 22. Only port Option 2 is available for both of these pins.

### 10 8-BIT COUNTER (T3)

The main application for this counter is in the frequency measurement of the Hsync signal.

The block diagram of the 8-bit counter is shown in Fig.22. A Schmitt trigger is used at the input for noise rejection and also to shape the input signal into a square wave. The T3 input is sampled at a frequency of  $\frac{1}{3} \times f_{osc}$  by the sample clock which synchronizes the internal T3 clock and the read operation of Derivative Register 24. The rising edge of the input increments the ripple counter by 1.

The contents of T3 may be read using the instruction MOV A, D24H. As soon as the data is read, the counter is reset to zero. A counter overflow or Power-on-reset also resets the counter contents to zero.

If the rising and falling edges of the input pulse are less than 30 ns then the minimum pulse width that the T3 input will recognise is  $3/f_{osc} + 100$  ns. If the system clock is 10 MHz then the minimum pulse width is 400 ns. In some display modes, the active pulse width of the Hsync signal can be less than 400 ns; in this situation some external application circuitry may be required.

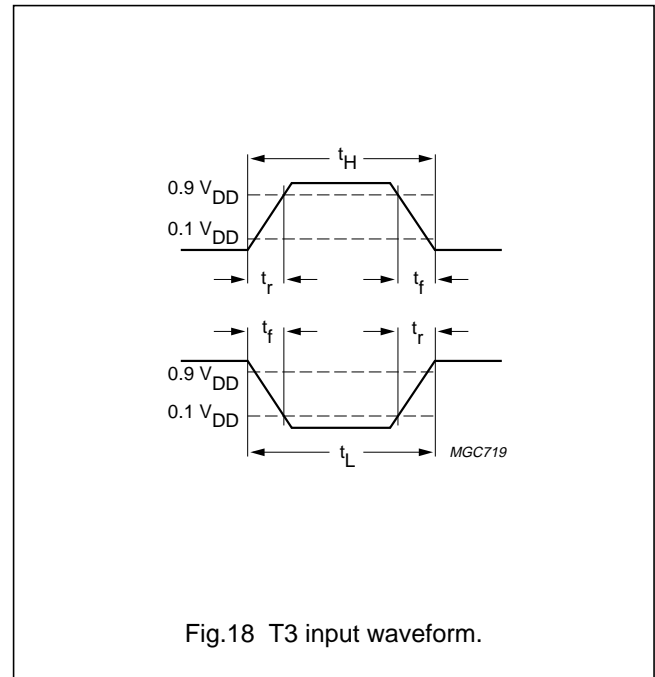


Fig.18 T3 input waveform.

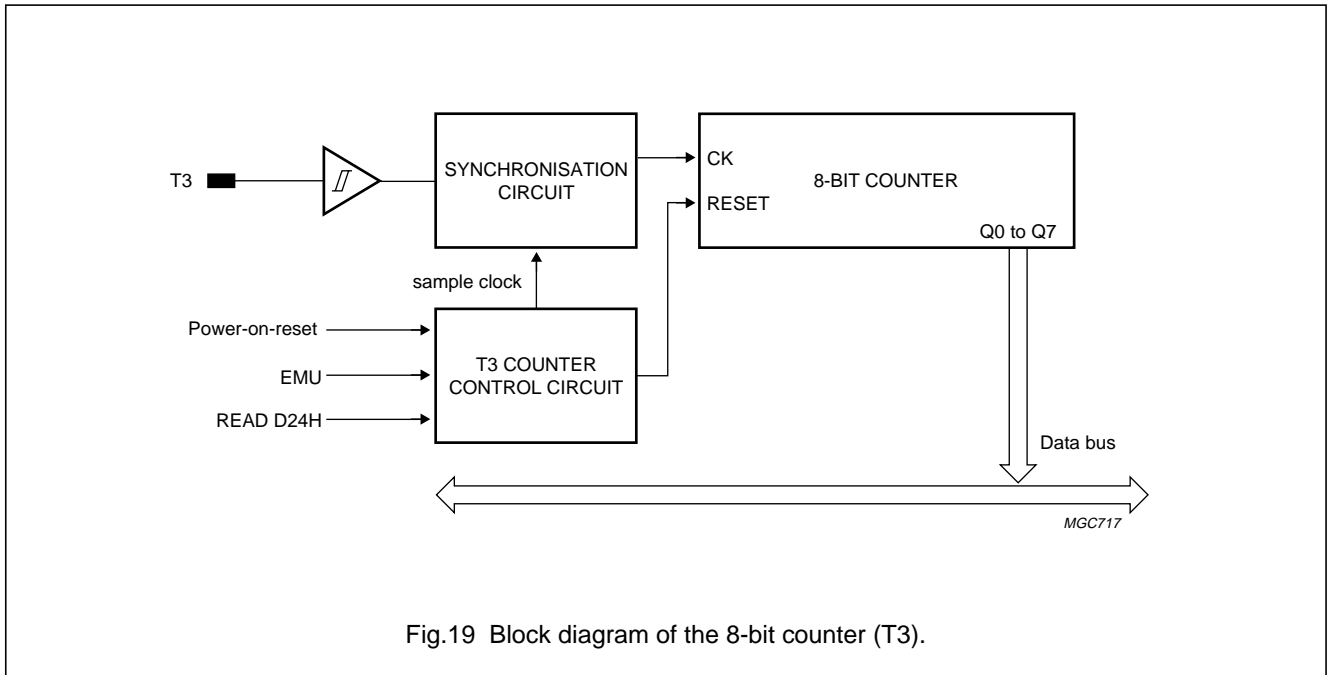


Fig.19 Block diagram of the 8-bit counter (T3).

# Microcontrollers for digital auto-sync and VST TV controller applications

## PCE84C486; PCE84C487

### 11 WATCHDOG TIMER (WDT)

The purpose of the Watchdog Timer is to reset the microcontroller, within a reasonable period of time, if it enters an erroneous processor state. Erroneous processor states can be caused by noise or RFI.

The Watchdog Timer consists of a 23-bit counter which is clocked at a frequency of  $f_{osc}$ . During a Power-on-reset the contents of the counter are cleared. The counter contents are then incremented by '1' every oscillator clock cycle. If the maximum count is exceeded, the counter overflows and the microcontroller is reset. In order to prevent a counter overflow and its resulting reset operation, the user program must clear the contents of the Watchdog Timer before its maximum count is exceeded. During normal processing, the contents of the Watchdog Timer are cleared by writing a logic 1 to Derivative Register 45H (this is a dummy register).

The maximum time period ( $t_p$ ) which the counter may run and not cause a reset operation, is calculated as shown below.

$$t_p = \frac{1}{f_{osc}} \times 2^{22}$$

In the Idle mode the oscillator is still running and the Watchdog Timer remains active. In the Stop mode however, the oscillator is stopped and the operation of the Watchdog Timer is halted but its contents are retained. Therefore, it may be advisable for the user to clear the contents of the Watchdog Timer before the Stop mode is entered, in order to avoid an unexpected reset operation after the device is woken-up.

The operational voltage range of the Watchdog Timer is 2 to 5.5 V.

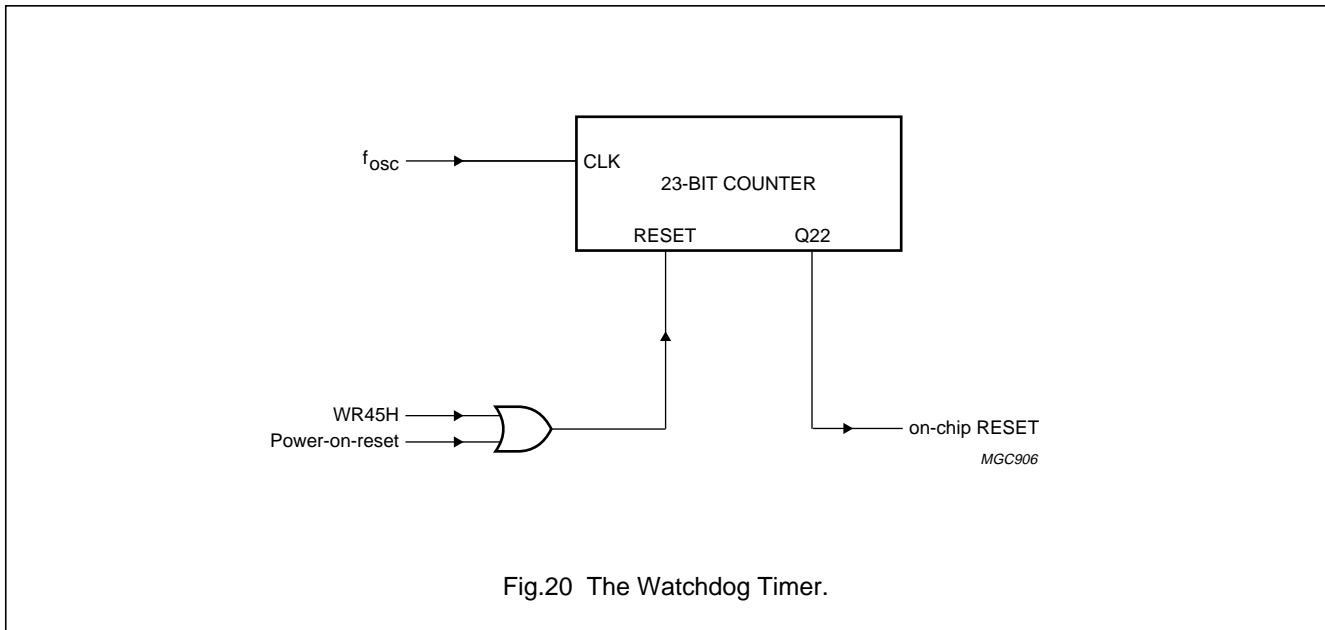


Fig.20 The Watchdog Timer.

# Microcontrollers for digital auto-sync and VST TV controller applications

## PCE84C486; PCE84C487

### 12 OUTPUT PORTS

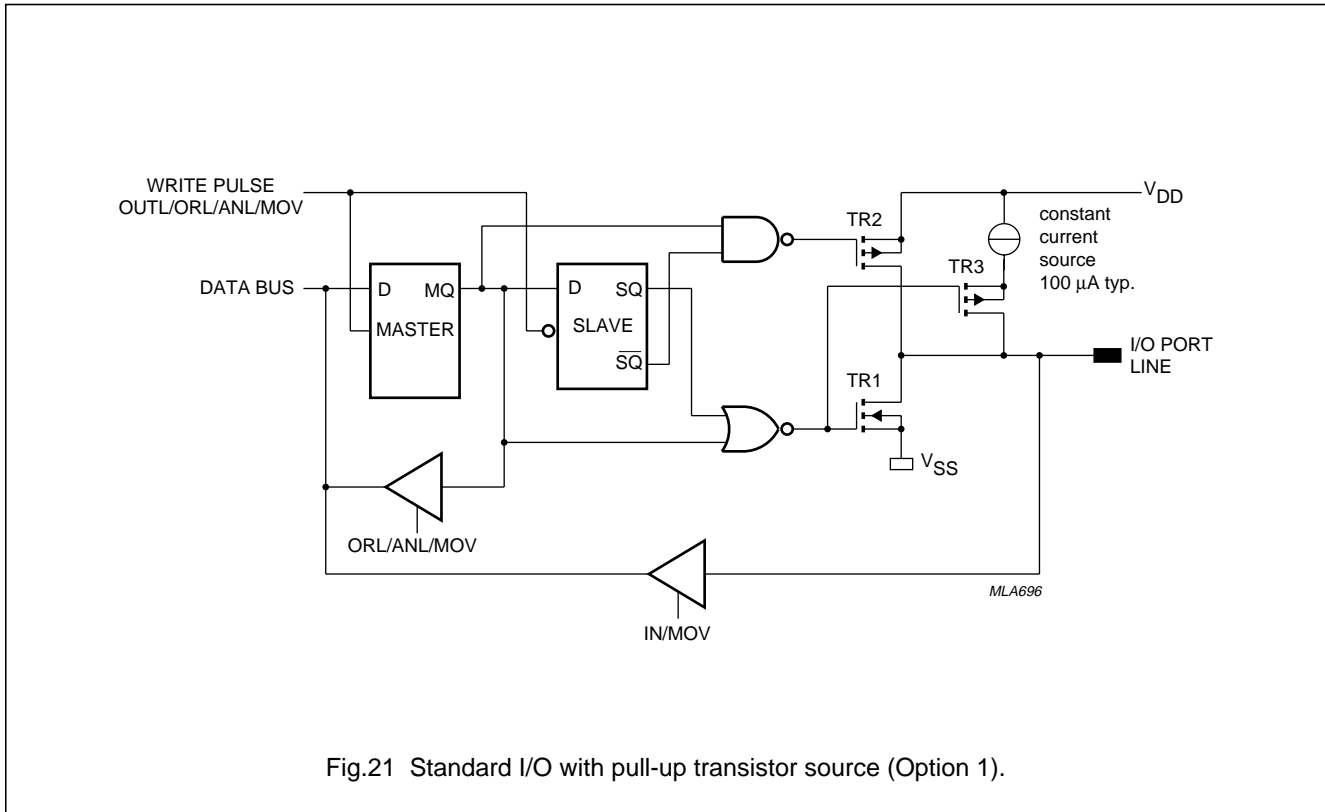
Each I/O port line may be individually configured using one of three mask options. The three I/O mask options are specified below:

Option 1 Standard input/output with switched pull-up current source; this is shown in Fig.24.

Option 2 Input/output with open-drain output; this is shown in Fig.25.

Option 3 Push-pull output; this is shown in Fig.26.

The state of each output port after a Power-on-reset can also be selected using the mask options. All port mask options are given in Section 13.1.



Microcontrollers for digital auto-sync and VST TV controller applications

PCE84C486; PCE84C487

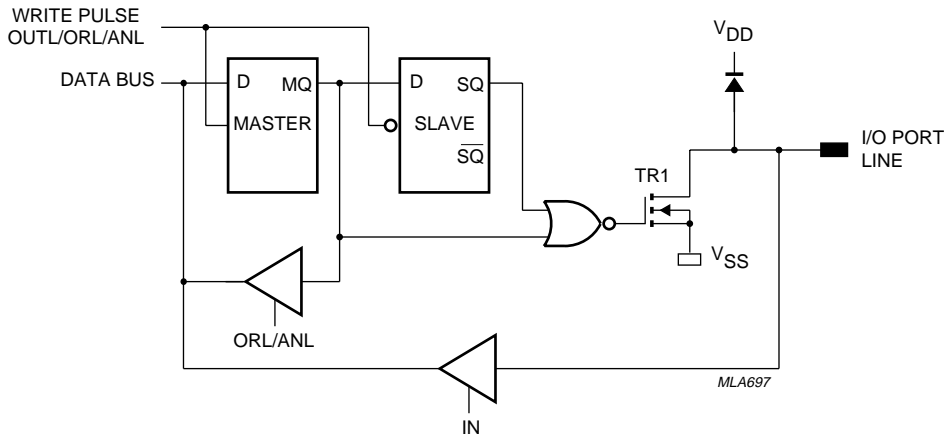


Fig.22 Open-drain I/O without pull-up transistor (Option 2).

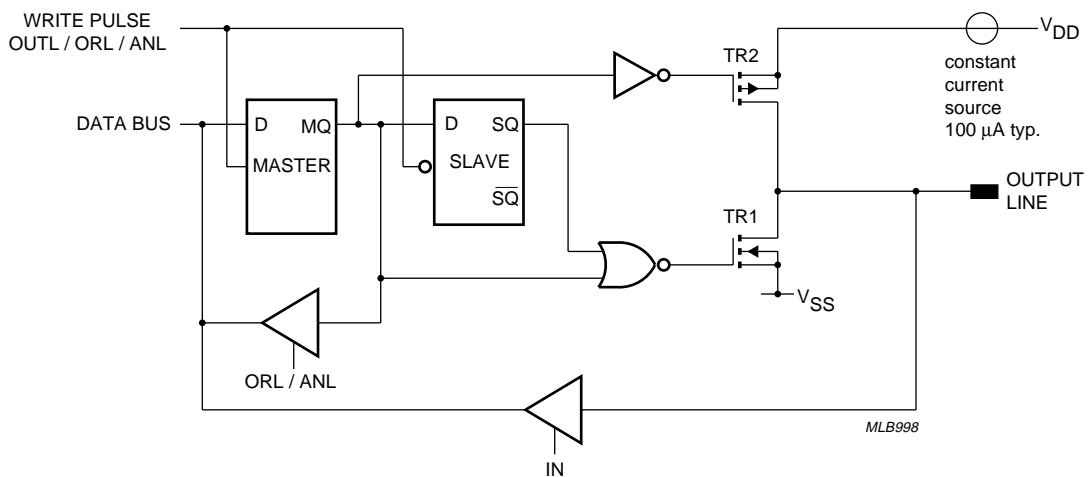


Fig.23 Push-pull output with pull-up transistor (Option 3).



## Microcontrollers for digital auto-sync and VST TV controller applications

## PCE84C486; PCE84C487

### 12.1 Mask options

Table 6 lists the port mask options available for the PCE84C486; Table 7 lists the port mask options available for the PCE84C487.

**Table 6** Port options - PCE84C486

PORT	PIN	OPTION	
		CONFIGURATION	RESET STATE
P00	8	1, 2 or 3	HIGH or LOW
P01	9	1, 2 or 3	HIGH or LOW
P02	10	1, 2 or 3	HIGH or LOW
P03	11	1, 2 or 3	HIGH or LOW
P04	12	1, 2 or 3	HIGH or LOW
P05	13	1, 2 or 3	HIGH or LOW
P06	14	1, 2 or 3	HIGH or LOW
P07	15	1, 2 or 3	HIGH or LOW
P10	2	1, 2 or 3	HIGH or LOW
P11	3	1, 2 or 3	HIGH or LOW
P12	5	1, 2 or 3	HIGH or LOW
P14	7	1, 2 or 3	HIGH or LOW
DP00	24	1, 2 or 3	HIGH or LOW
DP01	23	1, 2 or 3	HIGH or LOW
DP02	22	1, 2 or 3	HIGH or LOW
DP03	21	1, 2 or 3	HIGH or LOW
DP04	20	1, 2 or 3	HIGH or LOW
DP05	19	1, 2 or 3	HIGH or LOW
DP06	18	1, 2 or 3	HIGH or LOW
DP07	32	1, 2 or 3	HIGH or LOW
DP11	17	1, 2 or 3	HIGH or LOW
DP12	31	1, 2 or 3	HIGH or LOW
DP13	4	1, 2 or 3	HIGH or LOW
DP20	1	2	HIGH

**Table 7** Port options - PCE84C487

PORT	PIN	OPTION	
		CONFIGURATION	RESET STATE
P00	10	1, 2 or 3	HIGH or LOW
P01	12	1, 2 or 3	HIGH or LOW
P02	13	1, 2 or 3	HIGH or LOW
P03	15	1, 2 or 3	HIGH or LOW
P04	17	1, 2 or 3	HIGH or LOW
P05	18	1, 2 or 3	HIGH or LOW
P06	19	1, 2 or 3	HIGH or LOW
P07	20	1, 2 or 3	HIGH or LOW
P10	2	1, 2 or 3	HIGH or LOW
P11	3	1, 2 or 3	HIGH or LOW
P12	5	1, 2 or 3	HIGH or LOW
P14	9	1, 2 or 3	HIGH or LOW
DP00	31	1, 2 or 3	HIGH or LOW
DP01	30	1, 2 or 3	HIGH or LOW
DP02	28	1, 2 or 3	HIGH or LOW
DP03	26	1, 2 or 3	HIGH or LOW
DP04	25	1, 2 or 3	HIGH or LOW
DP05	24	1, 2 or 3	HIGH or LOW
DP06	23	1, 2 or 3	HIGH or LOW
DP07	42	1, 2 or 3	HIGH or LOW
DP11	22	1, 2 or 3	HIGH or LOW
DP12	41	1, 2 or 3	HIGH or LOW
DP13	4	1, 2 or 3	HIGH or LOW
DP20	1	2	HIGH
DP24	8	1, 2 or 3	HIGH or LOW
DP25	14	1, 2 or 3	HIGH or LOW
DP26	29	1, 2 or 3	HIGH or LOW
DP27	34	1, 2 or 3	HIGH or LOW

## Microcontrollers for digital auto-sync and VST TV controller applications

## PCE84C486; PCE84C487

### 13 DERIVATIVE REGISTERS

The PCE84C486 has 22 Derivative Registers and the PCE84C487 has 26 Derivative Registers. Both devices have one dummy register associated with the Watchdog Timer; this resides at address 45H. The Derivative Port I/O registers are located at addresses 00 to 05H. When DP0TR, DP1TR and DP2TR are read the data is read directly from the pin. However, when DP0R, DP1R and DP2R are read the data is read from the port latch (see Figs 24 to 26 for the port configuration).

As the PCE84C486 has no 8-bit PWM outputs the PWME2 Register (address 44H) is not used and its contents must be set to 00H. Registers PWME2, PWM10 to PWM13 and the 4 MSBs of Registers DP2TR and DP2R are only available in the PCE84C487.

**Table 8** Register map (see note 1)

ADDR (HEX)	REG	7	6	5	4	3	2	1	0	R/W
00	DP0TR (terminal)	DP07 (X)	DP06 (X)	DP05 (X)	DP04 (X)	DP03 (X)	DP02 (X)	DP01 (X)	DP00 (X)	R
01	DP1TR (terminal)	– (X)	– (X)	– (X)	– (X)	DP13 (X)	DP12 (X)	DP11 (X)	–	R
02	DP2TR (terminal)	DP27 (X)	DP26 (X)	DP25 (X)	DP24 (X)	– (X)	– (X)	– (X)	DP20 (X)	R
03	DP0R (latch)	DP07 (1)	DP06 (1)	DP05 (1)	DP04 (1)	DP03 (1)	DP02 (1)	DP01 (1)	DP00 (1)	RW
04	DP1R (latch)	– (X)	– (X)	– (X)	– (X)	DP13 (1)	DP12 (1)	DP11 (1)	– (1)	RW
05	DP2R (latch)	DP27 (1)	DP26 (1)	DP25 (1)	DP24 (1)	– (X)	– (X)	– (X)	DP20 (1)	RW
10	PWM0	– (X)	PWM06 (0)	PWM05 (0)	PWM04 (0)	PWM03 (0)	PWM02 (0)	PWM01 (0)	PWM00 (0)	RW
11	PWM1	– (X)	PWM16 (0)	PWM15 (0)	PWM14 (0)	PWM13 (0)	PWM12 (0)	PWM11 (0)	PWM10 (0)	RW
12	PWM2	– (X)	PWM26 (0)	PWM25 (0)	PWM24 (0)	PWM23 (0)	PWM22 (0)	PWM21 (0)	PWM20 (0)	RW
13	PWM3	– (X)	PWM36 (0)	PWM35 (0)	PWM34 (0)	PWM33 (0)	PWM32 (0)	PWM31 (0)	PWM30 (0)	RW
14	PWM4	– (X)	– (X)	PWM45 (0)	PWM44 (0)	PWM43 (0)	PWM42 (0)	PWM41 (0)	PWM40 (0)	RW
15	PWM5	– (X)	– (X)	PWM55 (0)	PWM54 (0)	PWM53 (0)	PWM52 (0)	PWM51 (0)	PWM50 (0)	RW
16	PWM6	– (X)	– (X)	PWM65 (0)	PWM64 (0)	PWM63 (0)	PWM62 (0)	PWM61 (0)	PWM60 (0)	RW
17	PWM7	– (X)	– (X)	PWM75 (0)	PWM74 (0)	PWM73 (0)	PWM72 (0)	PWM71 (0)	PWM70 (0)	RW
18	PWM8L	– (X)	PWM86L (0)	PWM85L (0)	PWM84L (0)	PWM83L (0)	PWM82L (0)	PWM81L (0)	PWM80L (0)	RW
19	PWM8H	– (X)	PWM86H (0)	PWM85H (0)	PWM84H (0)	PWM83H (0)	PWM82H (0)	PWM81H (0)	PWM80H (0)	RW

## Microcontrollers for digital auto-sync and VST TV controller applications

## PCE84C486; PCE84C487

ADDR (HEX)	REG	7	6	5	4	3	2	1	0	R/W
20	ADCCN	– (X)	ADCS1 (0)	ADCS0 (0)	DAC3 (0)	DAC2 (0)	DAC1 (0)	DAC0 (0)	COMP <sup>(2)</sup> (0)	RW
21	PWME1	PWM7E (0)	PWM6E (0)	PWM5E (0)	PWM4E (0)	PWM3E (0)	PWM2E (0)	PWM1E (0)	PWM0E (0)	RW
22	CON1	PWM8E (0)	SCLE (0)	SDAE (0)	ADCE2 (0)	ADCE1 (0)	0 <sup>(3)</sup>	– (X)	– (X)	RW
23	CON2	– (X)	– (X)	– (X)	– (X)	P8LVL (0)	P14LVL (0)	P7LVL (0)	P6LVL (0)	RW
24	T3CON	T3B7 (0)	T3B6 (0)	T3B5 (0)	T3B4 (0)	T3B3 (0)	T3B2 (0)	T3B1 (0)	T3B0 (0)	R
40	PWM10	PWM107 (0)	PWM106 (0)	PWM105 (0)	PWM104 (0)	PWM103 (0)	PWM102 (0)	PWM101 (0)	PWM100 (0)	RW
41	PWM11	PWM117 (0)	PWM116 (0)	PWM115 (0)	PWM114 (0)	PWM113 (0)	PWM112 (0)	PWM111 (0)	PWM110 (0)	RW
42	PWM12	PWM127 (0)	PWM126 (0)	PWM125 (0)	PWM124 (0)	PWM123 (0)	PWM122 (0)	PWM121 (0)	PWM120 (0)	RW
43	PWM13	PWM137 (0)	PWM136 (0)	PWM135 (0)	PWM134 (0)	PWM133 (0)	PWM132 (0)	PWM131 (0)	PWM130 (0)	RW
44	PWME2	– (X)	– (X)	– (X)	– (X)	PWM13E (0)	PWM12E (0)	PWM11E (0)	PWM10E (0)	RW

### Notes

- Values within parenthesis show the bit state after a reset operation. 'X' denotes an undefined state.
- This bit is Read only.
- This bit must be set to logic 0.

## 14 LIMITING VALUES

In accordance with the Absolute Maximum Rating System (IEC 34)

SYMBOL	PARAMETER	MIN.	MAX.	UNIT
V <sub>DD</sub>	supply voltage	–0.3	+8.0	V
V <sub>I</sub>	input voltage on any pin with respect to ground (V <sub>SS</sub> )	–0.3	V <sub>DD</sub> + 0.3	V
I <sub>OH</sub>	maximum source current for all port lines	–	–10.0	mA
I <sub>OL</sub>	maximum sink current for all port lines	–	30.0	mA
P <sub>tot</sub>	total power dissipation	–	1	W
T <sub>amb</sub>	operating ambient temperature	–25	+85	°C
T <sub>stg</sub>	storage temperature	–55	+125	°C

# Microcontrollers for digital auto-sync and VST TV controller applications

## PCE84C486; PCE84C487

### 15 DC CHARACTERISTICS

$V_{DD} = 5\text{ V} \pm 10\%$ ;  $V_{SS} = 0\text{ V}$ ;  $T_{amb} = -25\text{ to }+85\text{ }^\circ\text{C}$ ; all voltages with respect to  $V_{SS}$ ; unless otherwise specified.

SYMBOL	PARAMETER	CONDITIONS	MIN.	TYP.	MAX.	UNIT
<b>Supply</b>						
$V_{DD}$	operating supply voltage		4.5	5.0	5.5	V
$I_{DD}$	operating supply current	$f_{xtal} = 10\text{ MHz}$ ; $V_{DD} = 5\text{ V}$	–	5	10	mA
		$f_{xtal} = 6\text{ MHz}$ ; $V_{DD} = 5\text{ V}$	–	3.5	7	mA
		Stop; $f_{xtal} = 10\text{ MHz}$	–	3	6	mA
		Stop; $f_{xtal} = 6\text{ MHz}$	–	1.5	4	mA
$I_{LU}$	latch-up current for all pins		50	–	–	mA
$V_{POR}$	Power-on-reset voltage level		0.7	1.3	1.9	V
<b>Ports P0; P1; DP0; DP1 and DP2 inputs</b>						
$V_{IL}$	LOW level input voltage		0	–	$0.3V_{DD}$	V
$V_{IH}$	HIGH level input voltage		$0.7V_{DD}$	–	$V_{DD}$	V
$I_{LI}$	input leakage current	$V_{SS} < V_I < V_{DD}$	–	–	$\pm 10$	$\mu\text{A}$
<b>Port P0 outputs</b>						
$V_{OL}$	LOW level output voltage	$V_{DD} = 5\text{ V}$ ; $I_{OL} = 10\text{ mA}$	–	–	1.2	V
$I_{OH1}$	HIGH level pull-up output source current	$V_{DD} = 5\text{ V}$ ; $V_O = 0.7V_{DD}$	–40	–100	–	$\mu\text{A}$
		$V_{DD} = 5\text{ V}$ ; $V_O = V_{SS}$	–	–140	–400	$\mu\text{A}$
$I_{OH2}$	HIGH level push-pull output source current	$V_{DD} = 5\text{ V}$ ; $V_O = V_{DD} - 0.4\text{ V}$	–3.0	–7.0	–	mA
<b>DP00/PWM0 to DP07/PWM7; DP24/PWM10 to DP27/PWM13 as derivative ports</b>						
$I_{OL}$	LOW level output sink current	$V_{DD} = 5\text{ V}$ ; $V_{OL} = 0.4\text{ V}$	5.0	12.0	–	mA
$I_{OH1}$	HIGH level pull-up output source current	$V_{DD} = 5\text{ V}$ ; $V_O = 0.7V_{DD}$	–40	–100	–	$\mu\text{A}$
		$V_{DD} = 5\text{ V}$ ; $V_O = V_{SS}$	–	–140	–400	$\mu\text{A}$
$I_{OH2}$	HIGH level push-pull output source current	$V_{DD} = 5\text{ V}$ ; $V_O = V_{DD} - 0.4\text{ V}$	–3.0	–7.0	–	mA
<b>DP00/PWM0 to DP07/PWM7; DP24/PWM10 to DP27/PWM13 as PWM outputs</b>						
$I_{OL}$	LOW level output sink current	$V_{DD} = 5\text{ V}$ ; $V_{OL} = 0.4\text{ V}$	0.7	1.5	–	mA
$I_{OH1}$	HIGH level pull-up output source current	$V_{DD} = 5\text{ V}$ ; $V_O = 0.7V_{DD}$	–40	–100	–	$\mu\text{A}$
		$V_{DD} = 5\text{ V}$ ; $V_O = V_{SS}$	–	–140	–400	$\mu\text{A}$
$I_{OH2}$	HIGH level push-pull output source current	$V_{DD} = 5\text{ V}$ ; $V_O = V_{DD} - 0.4\text{ V}$	–0.7	–1.5	–	mA
<b>P10 to P12 and P14 outputs</b>						
$I_{OL}$	LOW level output sink current	$V_{DD} = 5\text{ V}$ ; $V_{OL} = 0.4\text{ V}$	5.0	12.0	–	mA
$I_{OH1}$	HIGH level pull-up output source current	$V_{DD} = 5\text{ V}$ ; $V_O = 0.7V_{DD}$	–40	–100	–	$\mu\text{A}$
		$V_{DD} = 5\text{ V}$ ; $V_O = V_{SS}$	–	–140	–400	$\mu\text{A}$
$I_{OH2}$	HIGH level push-pull output source current	$V_{DD} = 5\text{ V}$ ; $V_O = V_{DD} - 0.4\text{ V}$	–3.0	–7.0	–	mA
<b>DP20/SDA and DP21/SCL outputs</b>						
$I_{OL}$	LOW level output sink current	$V_{DD} = 5\text{ V}$ ; $V_{OL} = 0.4\text{ V}$	3.0	–	–	mA
$I_{OH1}$	HIGH level pull-up output source current	$V_{DD} = 5\text{ V}$ ; $V_O = 0.7V_{DD}$	–40	–100	–	$\mu\text{A}$
		$V_{DD} = 5\text{ V}$ ; $V_O = V_{SS}$	–	–140	–400	$\mu\text{A}$
$I_{OH2}$	HIGH level push-pull output source current	$V_{DD} = 5\text{ V}$ ; $V_O = V_{DD} - 0.4\text{ V}$	–3.0	–7.0	–	mA

# Microcontrollers for digital auto-sync and VST TV controller applications

PCE84C486; PCE84C487

SYMBOL	PARAMETER	CONDITIONS	MIN.	TYP.	MAX.	UNIT
<b>DP13/PWM8 as PWM8 output</b>						
I <sub>OL</sub>	LOW level output sink current	V <sub>DD</sub> = 5 V; V <sub>OL</sub> = 0.4 V	1.4	3.0	–	mA
I <sub>OH1</sub>	HIGH level pull-up output source current	V <sub>DD</sub> = 5 V; V <sub>O</sub> = 0.7V <sub>DD</sub>	–40	–100	–	μA
		V <sub>DD</sub> = 5 V; V <sub>O</sub> = V <sub>SS</sub>	–	–140	–400	μA
I <sub>OH2</sub>	HIGH level push-pull output source current	V <sub>DD</sub> = 5 V; V <sub>O</sub> = V <sub>DD</sub> – 0.4 V	–1.4	–3.0	–	mA
<b>DP11/ADC1 or DP12/ADC2 as derivative output ports</b>						
I <sub>OL</sub>	LOW level output sink current	V <sub>DD</sub> = 5 V; V <sub>OL</sub> = 0.4 V	5.0	12.0	–	mA
I <sub>OH1</sub>	HIGH level pull-up output source current	V <sub>DD</sub> = 5 V; V <sub>O</sub> = 0.7V <sub>DD</sub>	–40	–100	–	μA
		V <sub>DD</sub> = 5 V; V <sub>O</sub> = V <sub>SS</sub>	–	–140	–400	μA
I <sub>OH2</sub>	HIGH level push-pull output source current	V <sub>DD</sub> = 5 V; V <sub>O</sub> = V <sub>DD</sub> – 0.4 V	–3.0	–7.0	–	mA
<b>TEST/EMU; RESET; INTN/T0; T1 and T3</b>						
V <sub>IL</sub>	LOW level input voltage		0	–	0.3V <sub>DD</sub>	V
V <sub>IH</sub>	HIGH level input voltage		0.7V <sub>DD</sub>	–	V <sub>DD</sub>	V
I <sub>LI</sub>	input leakage current	V <sub>SS</sub> < V <sub>I</sub> < V <sub>DD</sub>	–1.0	–	+1.0	μA

## 16 AC CHARACTERISTICS

SYMBOL	PARAMETER	CONDITIONS	MIN.	TYP.	MAX.	UNIT
f <sub>xtal</sub>	Crystal oscillator frequency Option 1: g <sub>m</sub> = 0.4 mS Option 2: g <sub>m</sub> = 1.2 mS	V <sub>DD</sub> = 5 V; T <sub>amb</sub> = –25 to +85 °C	1	–	6	MHz
			4	–	10	MHz
f <sub>PXE</sub>	PXE resonator frequency Option 2: g <sub>m</sub> = 1.2 mS	V <sub>DD</sub> = 5 V; T <sub>amb</sub> = –25 to +85 °C	1	–	5	MHz
C <sub>xtal1</sub>	external capacitance at XTAL1 (IN) pin (PXE resonator)	V <sub>DD</sub> = 5 V; T <sub>amb</sub> = –25 to +85 °C	–	30	100	pF
C <sub>xtal2</sub>	external capacitance at XTAL2 (OUT) pin (PXE resonator)	V <sub>DD</sub> = 5 V; T <sub>amb</sub> = –25 to +85 °C	–	30	100	pF
t <sub>T3</sub>	minimum pulse width period at T3 input	rising or falling edge of T3 pulse < 30 ns	0.4	–	–	μs
<b>Analog-to-Digital (software) Converter</b>						
V <sub>AI</sub>	DP11/ADC1 or DP12/ADC2 comparator analog input voltage		V <sub>SS</sub>	–	V <sub>DD</sub>	V
V <sub>AE</sub>	conversion error range		–	–	±1/2	LSB
T <sub>AFC</sub>	conversion time (from any change in ADC input i.e. channel select, voltage level or enable/disable)		–	–	7	μs

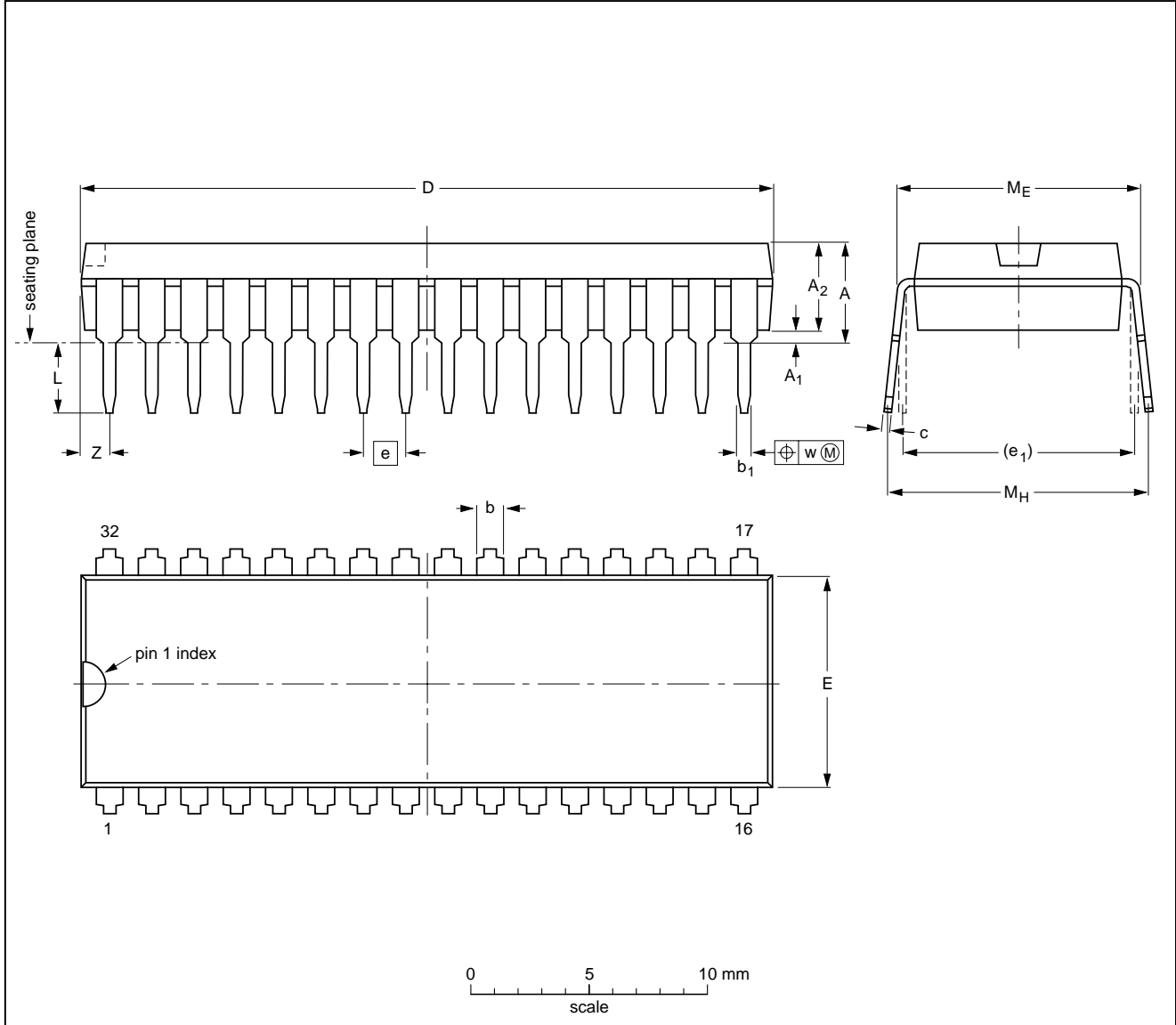
Microcontrollers for digital auto-sync and VST TV controller applications

PCE84C486; PCE84C487

17 PACKAGE OUTLINES

SDIP32: plastic shrink dual in-line package; 32 leads (400 mil)

SOT232-1



DIMENSIONS (mm are the original dimensions)

UNIT	A max.	A <sub>1</sub> min.	A <sub>2</sub> max.	b	b <sub>1</sub>	c	D <sup>(1)</sup>	E <sup>(1)</sup>	e	e <sub>1</sub>	L	M <sub>E</sub>	M <sub>H</sub>	w	Z <sup>(1)</sup> max.
mm	4.7	0.51	3.8	1.3 0.8	0.53 0.40	0.32 0.23	29.4 28.5	9.1 8.7	1.778	10.16	3.2 2.8	10.7 10.2	12.2 10.5	0.18	1.6

Note

1. Plastic or metal protrusions of 0.25 mm maximum per side are not included.

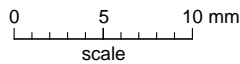
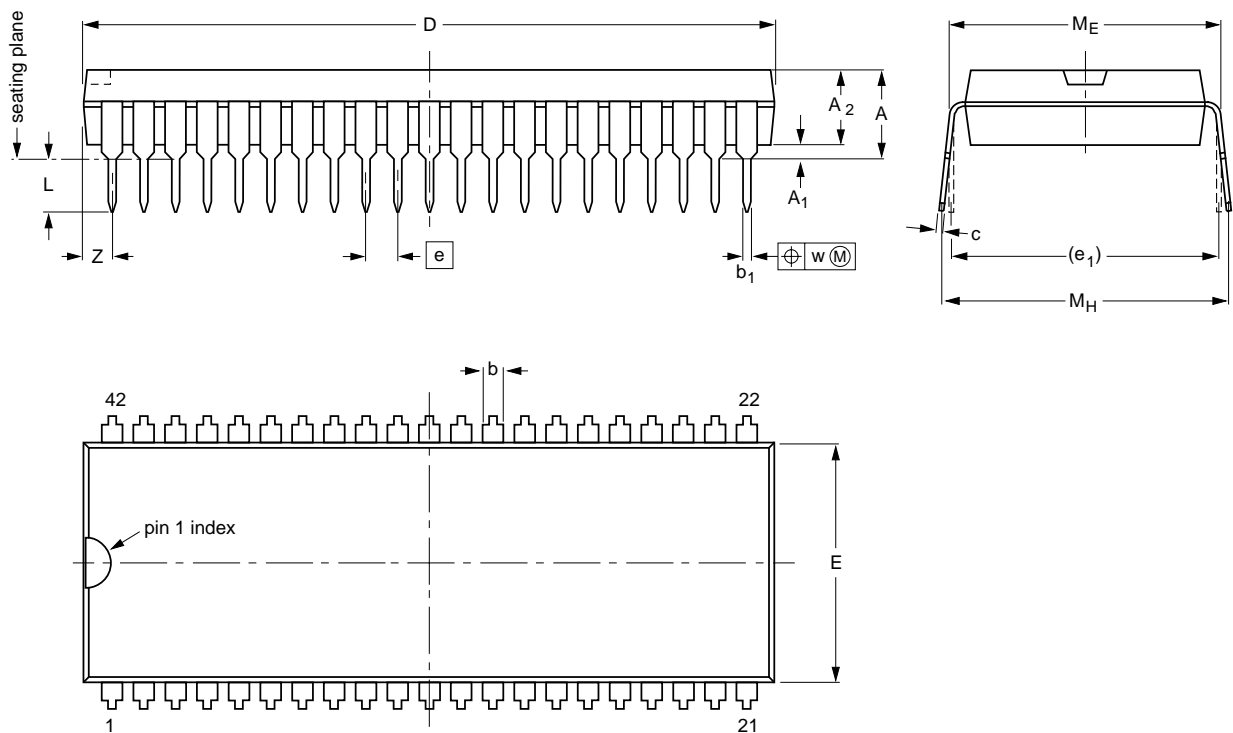
OUTLINE VERSION	REFERENCES				EUROPEAN PROJECTION	ISSUE DATE
	IEC	JEDEC	EIAJ			
SOT232-1						92-11-17 95-02-04

Microcontrollers for digital auto-sync and VST TV controller applications

PCE84C486; PCE84C487

SDIP42: plastic shrink dual in-line package; 42 leads (600 mil)

SOT270-1



DIMENSIONS (mm are the original dimensions)

UNIT	A max.	A <sub>1</sub> min.	A <sub>2</sub> max.	b	b <sub>1</sub>	c	D <sup>(1)</sup>	E <sup>(1)</sup>	e	e <sub>1</sub>	L	M <sub>E</sub>	M <sub>H</sub>	w	z <sup>(1)</sup> max.
mm	5.08	0.51	4.0	1.3 0.8	0.53 0.40	0.32 0.23	38.9 38.4	14.0 13.7	1.778	15.24	3.2 2.9	15.80 15.24	17.15 15.90	0.18	1.73

Note

1. Plastic or metal protrusions of 0.25 mm maximum per side are not included.

OUTLINE VERSION	REFERENCES				EUROPEAN PROJECTION	ISSUE DATE
	IEC	JEDEC	EIAJ			
SOT270-1						<del>90-02-13</del> 95-02-04

---

## Microcontrollers for digital auto-sync and VST TV controller applications

---

PCE84C486; PCE84C487

### 18 SOLDERING

#### 18.1 Introduction

There is no soldering method that is ideal for all IC packages. Wave soldering is often preferred when through-hole and surface mounted components are mixed on one printed-circuit board. However, wave soldering is not always suitable for surface mounted ICs, or for printed-circuits with high population densities. In these situations reflow soldering is often used.

This text gives a very brief insight to a complex technology. A more in-depth account of soldering ICs can be found in our "*IC Package Databook*" (order code 9398 652 90011).

#### 18.2 SDIP

##### 18.2.1 SOLDERING BY DIPPING OR BY WAVE

The maximum permissible temperature of the solder is 260 °C; solder at this temperature must not be in contact with the joint for more than 5 seconds. The total contact time of successive solder waves must not exceed 5 seconds.

The device may be mounted up to the seating plane, but the temperature of the plastic body must not exceed the specified maximum storage temperature ( $T_{stg\ max}$ ). If the printed-circuit board has been pre-heated, forced cooling may be necessary immediately after soldering to keep the temperature within the permissible limit.

##### 18.2.2 REPAIRING SOLDERED JOINTS

Apply a low voltage soldering iron (less than 24 V) to the lead(s) of the package, below the seating plane or not more than 2 mm above it. If the temperature of the soldering iron bit is less than 300 °C it may remain in contact for up to 10 seconds. If the bit temperature is between 300 and 400 °C, contact may be up to 5 seconds.



## Microcontrollers for digital auto-sync and VST TV controller applications

PCE84C486; PCE84C487

### 19 DEFINITIONS

<b>Data sheet status</b>	
Objective specification	This data sheet contains target or goal specifications for product development.
Preliminary specification	This data sheet contains preliminary data; supplementary data may be published later.
Product specification	This data sheet contains final product specifications.
<b>Limiting values</b>	
Limiting values given are in accordance with the Absolute Maximum Rating System (IEC 134). Stress above one or more of the limiting values may cause permanent damage to the device. These are stress ratings only and operation of the device at these or at any other conditions above those given in the Characteristics sections of the specification is not implied. Exposure to limiting values for extended periods may affect device reliability.	
<b>Application information</b>	
Where application information is given, it is advisory and does not form part of the specification.	

### 20 LIFE SUPPORT APPLICATIONS

These products are not designed for use in life support appliances, devices, or systems where malfunction of these products can reasonably be expected to result in personal injury. Philips customers using or selling these products for use in such applications do so at their own risk and agree to fully indemnify Philips for any damages resulting from such improper use or sale.

### 21 PURCHASE OF PHILIPS I<sup>2</sup>C COMPONENTS



Purchase of Philips I<sup>2</sup>C components conveys a license under the Philips' I<sup>2</sup>C patent to use the components in the I<sup>2</sup>C system provided the system conforms to the I<sup>2</sup>C specification defined by Philips. This specification can be ordered using the code 9398 393 40011.

---

Microcontrollers for digital auto-sync and  
VST TV controller applications

---

PCE84C486; PCE84C487

**NOTES**

Microcontrollers for digital auto-sync and  
VST TV controller applications

PCE84C486; PCE84C487

---

**NOTES**

## Philips Semiconductors – a worldwide company

**Argentina:** IEROD, Av. Juramento 1992 - 14.b, (1428)  
BUENOS AIRES, Tel. (541)786 7633, Fax. (541)786 9367

**Australia:** 34 Waterloo Road, NORTH RYDE, NSW 2113,  
Tel. (02)805 4455, Fax. (02)805 4466

**Austria:** Triester Str. 64, A-1101 WIEN, P.O. Box 213,  
Tel. (01)60 101-1236, Fax. (01)60 101-1211

**Belgium:** Postbus 90050, 5600 PB EINDHOVEN, The Netherlands,  
Tel. (31)40-2783749, Fax. (31)40-2788399

**Brazil:** Rua do Rocio 220 - 5<sup>th</sup> floor, Suite 51,  
CEP: 04552-903-SÃO PAULO-SP, Brazil,  
P.O. Box 7383 (01064-970),  
Tel. (011)821-2333, Fax. (011)829-1849

**Canada:** PHILIPS SEMICONDUCTORS/COMPONENTS:  
Tel. (800) 234-7381, Fax. (708) 296-8556

**Chile:** Av. Santa Maria 0760, SANTIAGO,  
Tel. (02)773 816, Fax. (02)777 6730

**China/Hong Kong:** 501 Hong Kong Industrial Technology Centre,  
72 Tat Chee Avenue, Kowloon Tong, HONG KONG,  
Tel. (852)2319 7888, Fax. (852)2319 7700

**Colombia:** IPRELENZO LTDA, Carrera 21 No. 56-17,  
77621 BOGOTA, Tel. (571)249 7624/(571)217 4609,  
Fax. (571)217 4549

**Denmark:** Prags Boulevard 80, PB 1919, DK-2300  
COPENHAGEN S, Tel. (45)32 88 26 36, Fax. (45)31 57 19 49

**Finland:** Sinikalliontie 3, FIN-02630 ESPOO,  
Tel. (358)0-615 800, Fax. (358)0-61580 920

**France:** 4 Rue du Port-aux-Vins, BP317,  
92156 SURESNES Cedex,  
Tel. (01)4099 6161, Fax. (01)4099 6427

**Germany:** P.O. Box 10 51 40, 20035 HAMBURG,  
Tel. (040)23 53 60, Fax. (040)23 53 63 00

**Greece:** No. 15, 25th March Street, GR 17778 TAVROS,  
Tel. (01)4894 339/4894 911, Fax. (01)4814 240

**India:** Philips INDIA Ltd, Shivsagar Estate, A Block,  
Dr. Annie Besant Rd. Worli, Bombay 400 018  
Tel. (022)4938 541, Fax. (022)4938 722

**Indonesia:** Philips House, Jalan H.R. Rasuna Said Kav. 3-4,  
P.O. Box 4252, JAKARTA 12950,  
Tel. (021)5201 122, Fax. (021)5205 189

**Ireland:** Newstead, Clonskeagh, DUBLIN 14,  
Tel. (01)7640 000, Fax. (01)7640 200

**Italy:** PHILIPS SEMICONDUCTORS S.r.l.,  
Piazza IV Novembre 3, 20124 MILANO,  
Tel. (0039)2 6752 2531, Fax. (0039)2 6752 2557

**Japan:** Philips Bldg 13-37, Kohnan2-chome, Minato-ku, TOKYO 108,  
Tel. (03)3740 5130, Fax. (03)3740 5077

**Korea:** Philips House, 260-199 Itaewon-dong,  
Yongsan-ku, SEOUL, Tel. (02)709-1412, Fax. (02)709-1415

**Malaysia:** No. 76 Jalan Universiti, 46200 PETALING JAYA,  
SELANGOR, Tel. (03)750 5214, Fax. (03)757 4880

**Mexico:** 5900 Gateway East, Suite 200, EL PASO, TX 79905,  
Tel. 9-5(800)234-7381, Fax. (708)296-8556

**Netherlands:** Postbus 90050, 5600 PB EINDHOVEN, Bldg. VB,  
Tel. (040)2783749, Fax. (040)2788399

**New Zealand:** 2 Wagener Place, C.P.O. Box 1041, AUCKLAND,  
Tel. (09)849-4160, Fax. (09)849-7811

**Norway:** Box 1, Manglerud 0612, OSLO,  
Tel. (022)74 8000, Fax. (022)74 8341

**Pakistan:** Philips Electrical Industries of Pakistan Ltd.,  
Exchange Bldg. ST-2/A, Block 9, KDA Scheme 5, Clifton,  
KARACHI 75600, Tel. (021)587 4641-49,  
Fax. (021)577035/5874546

**Philippines:** PHILIPS SEMICONDUCTORS PHILIPPINES Inc.,  
106 Valero St. Salcedo Village, P.O. Box 2108 MCC, MAKATI,  
Metro MANILA, Tel. (63) 2 816 6380, Fax. (63) 2 817 3474

**Portugal:** PHILIPS PORTUGUESA, S.A.,  
Rua dr. António Loureiro Borges 5, Arquiparque - Miraflores,  
Apartado 300, 2795 LINDA-A-VELHA,  
Tel. (01)4163160/4163333, Fax. (01)4163174/4163366

**Singapore:** Lorong 1, Toa Payoh, SINGAPORE 1231,  
Tel. (65)350 2000, Fax. (65)251 6500

**South Africa:** S.A. PHILIPS Pty Ltd.,  
195-215 Main Road Martindale, 2092 JOHANNESBURG,  
P.O. Box 7430, Johannesburg 2000,  
Tel. (011)470-5911, Fax. (011)470-5494

**Spain:** Balmes 22, 08007 BARCELONA,  
Tel. (03)301 6312, Fax. (03)301 42 43

**Sweden:** Kottbygatan 7, Akalla. S-164 85 STOCKHOLM,  
Tel. (0)8-632 2000, Fax. (0)8-632 2745

**Switzerland:** Allmendstrasse 140, CH-8027 ZÜRICH,  
Tel. (01)488 2211, Fax. (01)481 77 30

**Taiwan:** PHILIPS TAIWAN Ltd., 23-30F, 66, Chung Hsiao West  
Road, Sec. 1. Taipeh, Taiwan ROC, P.O. Box 22978,  
TAIPEI 100, Tel. (886) 2 382 4443, Fax. (886) 2 382 4444

**Thailand:** PHILIPS ELECTRONICS (THAILAND) Ltd.,  
209/2 Sanpavuth-Bangna Road Prakanong,  
Bangkok 10260, THAILAND,  
Tel. (66) 2 745-4090, Fax. (66) 2 398-0793

**Turkey:** Talatpasa Cad. No. 5, 80640 GÜLTEPE/ISTANBUL,  
Tel. (0212)279 27 70, Fax. (0212)282 67 07

**Ukraine:** Philips UKRAINE, 2A Akademika Koroleva str., Office 165,  
252148 KIEV, Tel. 380-44-4760297, Fax. 380-44-4766991

**United Kingdom:** Philips Semiconductors LTD.,  
276 Bath Road, Hayes, MIDDLESEX UB3 5BX,  
Tel. (0181)730-5000, Fax. (0181)754-8421

**United States:** 811 East Arques Avenue, SUNNYVALE,  
CA 94088-3409, Tel. (800)234-7381, Fax. (708)296-8556

**Uruguay:** Coronel Mora 433, MONTEVIDEO,  
Tel. (02)70-4044, Fax. (02)92 0601

**Internet:** <http://www.semiconductors.philips.com/ps/>

**For all other countries apply to:** Philips Semiconductors,  
International Marketing and Sales, Building BE-p,  
P.O. Box 218, 5600 MD EINDHOVEN, The Netherlands,  
Telex 35000 phtcnl, Fax. +31-40-2724825

SCDS47

© Philips Electronics N.V. 1996

All rights are reserved. Reproduction in whole or in part is prohibited without the prior written consent of the copyright owner.

The information presented in this document does not form part of any quotation or contract, is believed to be accurate and reliable and may be changed without notice. No liability will be accepted by the publisher for any consequence of its use. Publication thereof does not convey nor imply any license under patent- or other industrial or intellectual property rights.

Printed in The Netherlands

457021/1100/01/pp36  
Document order number:

Date of release: 1996 Feb 21  
9397 750 00676