

Product Preview

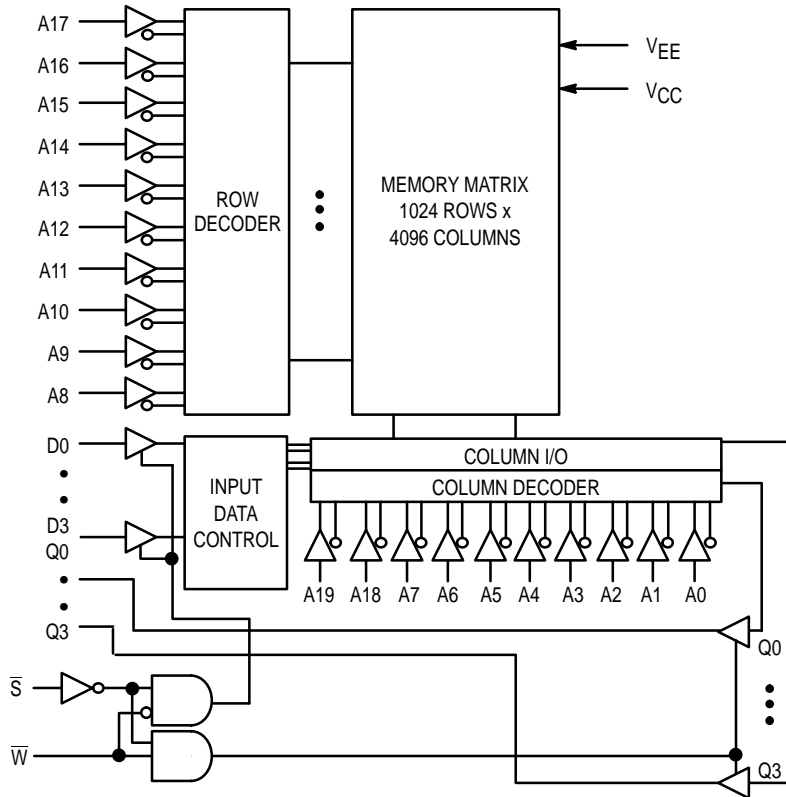
1M x 4 Bit Fast Static Random Access Memory with ECL I/O

The MCM101524 is a 4,194,304 bit static random access memory organized as 1,048,576 words of 4 bits. This circuit is fabricated using high performance silicon-gate BiCMOS technology. Asynchronous design eliminates the need for external clocks or timing strobes.

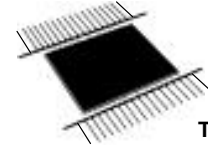
The MCM101524 is available in a 400 mil, 36 lead TAB.

- Fast Access Times: 12, 15 ns
- Equal Address and Chip Select Access Times
- Power Operation: – 195 mA Maximum, Active AC

BLOCK DIAGRAM



MCM101524



TB PACKAGE
400 MIL TAB
CASE 984A-01

PIN ASSIGNMENT

A10	1	36	A1
A11	2	35	A2
A12	3	34	A3
A13	4	33	A8
A14	5	32	A19
S̄	6	31	NC
D0	7	30	D3
Q0	8	29	Q3
VCC	9	28	VEE
VEE	10	27	VCC
Q1	11	26	Q2
D1	12	25	D2
W̄	13	24	NC
A0	14	23	A9
A15	15	22	A4
A16	16	21	A5
A17	17	20	A6
A18	18	19	A7

PIN NAMES

A0 – A19	Address Inputs	W̄	Write Enable
S̄	Chip Select	D0 – D3	Data Input
Q0 – Q3	Data Output	NC	No Connection
VEE	Power Supply	VCC	Ground

This document contains information on a new product under development. Motorola reserves the right to change or discontinue this product without notice.

REV 2
9/94

TRUTH TABLE (X = Don't Care)

\bar{S}	\bar{W}	Operation	Data	Output	Current
H	X	Not Enabled	X	L	—
L	H	Read	X	Q	I_{EE}
L	L	Write	X	L	I_{EE}

ABSOLUTE MAXIMUM RATINGS (See Note)

Rating	Symbol	Value	Unit
V_{EE} Pin Potential (to Ground)	V_{EE}	- 7.0 to + 0.5	V
Voltage Relative to V_{CC} for Any Pin Except V_{EE}	V_{in}, V_{out}	$V_{EE} - 0.5$ to + 0.5	V
Output Current (per I/O)	I_{out}	- 50	mA
Power Dissipation	P_D	2.0	W
Temperature Under Bias	T_{bias}	- 30 to + 85	°C
Operating Temperature	T_J	0 to + 60	°C
Storage Temperature — Plastic	T_{stg}	- 55 to + 125	°C

NOTE: Permanent device damage may occur if ABSOLUTE MAXIMUM RATINGS are exceeded. Functional operation should be restricted to the OPERATING CONDITIONS. Exposure to higher than recommended voltages for extended periods of time could affect device reliability.

This device contains circuitry to protect the inputs against damage due to high static voltages or electric fields; however, it is advised that normal precautions be taken to avoid application of any voltage higher than maximum rated voltages to these high impedance circuits.

This BiCMOS memory circuit has been designed to meet the dc and ac specifications shown in the tables, after thermal equilibrium has been established. The circuit is in a test socket or mounted on a printed circuit board and transverse air flow of at least 500 linear feet per minute is maintained.

DC OPERATING CONDITIONS AND CHARACTERISTICS

($V_{CC} = 0$ V, $V_{EE} = -5.2$ V $\pm 5\%$, $T_J = 0$ to + 60°C, Unless Otherwise Noted)

DC OPERATING CONDITIONS AND SUPPLY CURRENTS

Parameter	Symbol	Min	Typ	Max	Unit
Supply Voltage (Operating Voltage Range)	V_{EE}	- 5.46	- 5.2	- 4.94	V
Input High Voltage	V_{IH}	- 1165	—	- 880	mV
Input Low Voltage	V_{IL}	- 1810	—	- 1475	mV
Output High Voltage	V_{OH}	- 1025	—	- 880	mV
Output Low Voltage	V_{OL}	- 1810	—	- 1620	mV
Input Low Current	I_{IL}	- 50	—	—	μ A
Input High Current	I_{IH}	—	—	220	μ A
Chip Select Input Low Current	$I_{IL}(CS)$	0.5	—	170	μ A
Operating Power Supply Current: $t_{AVAV} = 20$ ns (All Outputs Open)*	I_{EE}	—	—	- 195	mA
Quiescent Power Supply Current: $f_0 = 0$ MHz (Outputs Open)	I_{EEQ}	—	—	- 150	mA
Voltage Compensation (V_{OH})	$\Delta V_{OH}/\Delta V_{EE}$	± 35 mV/V @ - 4.94 to - 5.46 V			
Voltage Compensation (V_{OL})	$\Delta V_{OL}/\Delta V_{EE}$	± 60 mV/V @ - 4.94 to - 5.46 V			

* Address Increment

RISE/FALL TIME CHARACTERISTICS

Parameter	Symbol	Test Condition	Min	Typ	Max	Unit
Output Rise Time	t_r	20% to 80%	0.5	1.0	1.5	ns
Output Fall Time	t_f	20% to 80%	0.5	1.0	1.5	ns

CAPACITANCE ($f = 1.0$ MHz, $T_A = 25^\circ$ C, Periodically Sampled Rather Than 100% Tested)

Parameter	Symbol	Typ	Max	Unit	
Input Capacitance	Address and Data \bar{S}, \bar{W}	C_{in}	3.5	7	pF
		C_{ck}	4	7	pF
Output Capacitance	Q	C_{out}	4	8	pF

AC OPERATING CONDITIONS AND CHARACTERISTICS
 ($V_{EE} = -5.2\text{ V} \pm 5\%$, $V_{CC} = 0\text{ V}$, $T_J = 0\text{ to }+60^\circ\text{C}$, Unless Otherwise Noted)

Input Pulse Levels -1.7 V to -0.9 V (See Figure 1) Output Timing Measurement Reference Level .. $V_{OH} = -1165\text{ mV}$
 Input Rise/Fall Time 1 ns $V_{OL} = -1475\text{ mV}$
 Input Timing Measurement Reference Level 50% Output Load (AC Test Circuit) See Figure 2

READ CYCLE TIMING (See Notes 1 and 2)

Parameter	Symbol	MCM101524-12		MCM101524-15		Unit	Notes
		Min	Max	Min	Max		
Read Cycle Time	t_{AVAV}	12	—	15	—	ns	2, 3
Address Access Time	t_{AVQV}	—	12	—	15	ns	
Chip Select Access Time	t_{SLQV}	—	12	—	15	ns	6
Select High to Output Low	t_{SHQL}	0	8	0	9	ns	
Output Hold from Address Change	t_{AXQX}	4	—	4	—	ns	
Power Up Time	t_{SLIEEH}	0	—	0	—	ns	4
Power Down Time	t_{SHIEEL}	—	12	—	15	ns	4

NOTES:

- \bar{W} is high for read cycle.
- Product sensitivities to noise require proper grounding and decoupling of power supplies during read and write cycles.
- All read cycle timings are referenced from the last valid address to the first transitioning address.
- This parameter is sampled and not 100% tested.
- Device is continuously selected ($\bar{S} \leq V_{IL}$).
- Addresses valid prior to or coincident with \bar{S} going low.

AC TEST CONDITIONS

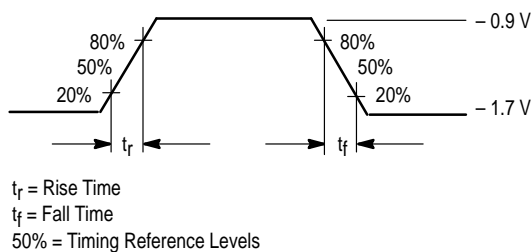


Figure 1. Input Levels

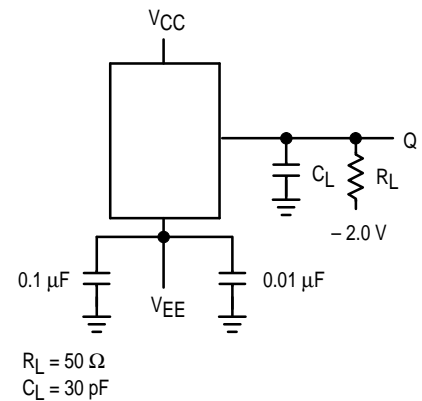
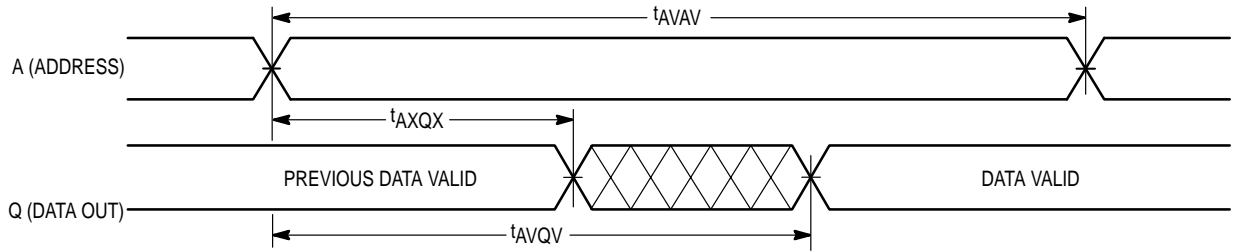
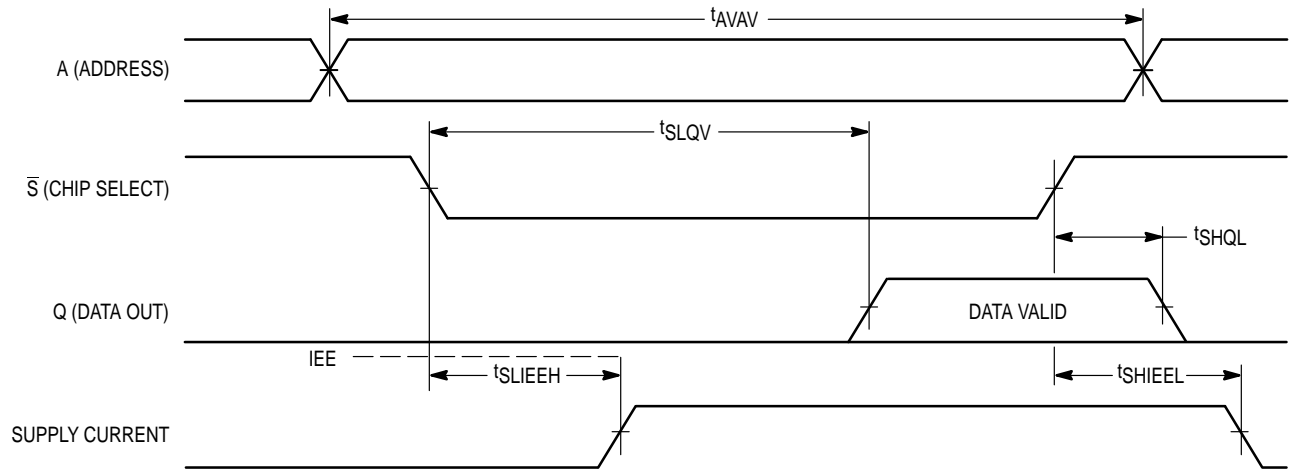


Figure 2. AC Test Circuit

READ CYCLE 1 (See Notes 1, 2, and 5)



READ CYCLE 2 (See Note 6)

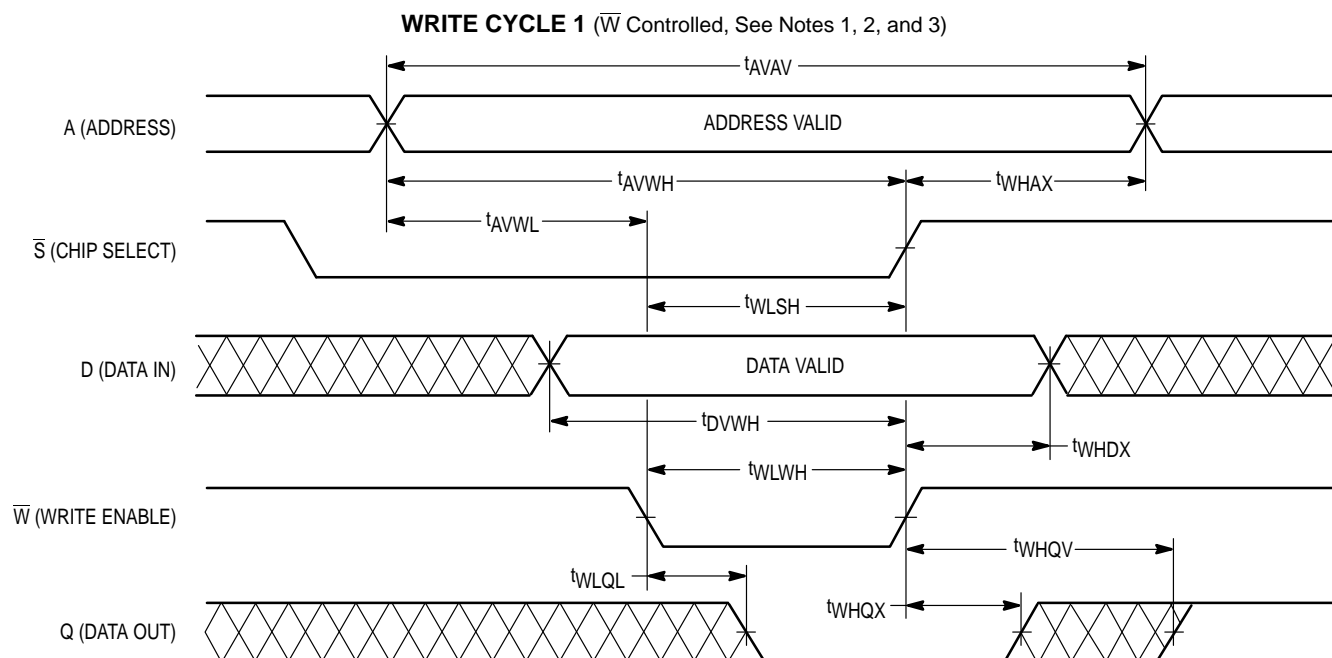


WRITE CYCLE 1 (\overline{W} Controlled, See Notes 1 and 2)

Parameter	Symbol	MCM101524-12		MCM101524-15		Unit	Notes
		Min	Max	Min	Max		
Write Cycle Time	t_{AVAV}	12	—	15	—	ns	3
Address Setup Time	t_{AVWL}	1	—	1	—	ns	
Address Valid to End of Write	t_{AVWH}	9	—	10	—	ns	
Write Pulse Width	t_{WLWH} , t_{WLSH}	8	—	9	—	ns	
Data Valid to End of Write	t_{DVWH}	8	—	9	—	ns	
Data Hold Time	t_{WHDX}	1	—	1	—	ns	
Write High to Output Active	t_{WHQX}	4	—	4	—	ns	4
Write High to Output Valid	t_{WHQV}	—	13	—	16	ns	
Write Recovery Time	t_{WHAX}	1	—	1	—	ns	
Write Low to Output Low	t_{WLQL}	0	8	0	9	ns	

NOTES:

1. A write occurs during the overlap of \overline{S} low and \overline{W} low.
2. Product sensitivities to noise require proper grounding and decoupling of power supplies during read and write cycles.
3. All write cycle timings are referenced from the last valid address to the first transitioning address.
4. This parameter is sampled and not 100% tested.



Motorola reserves the right to make changes without further notice to any products herein. Motorola makes no warranty, representation or guarantee regarding the suitability of its products for any particular purpose, nor does Motorola assume any liability arising out of the application or use of any product or circuit, and specifically disclaims any and all liability, including without limitation consequential or incidental damages. "Typical" parameters can and do vary in different applications. All operating parameters, including "Typicals" must be validated for each customer application by customer's technical experts. Motorola does not convey any license under its patent rights nor the rights of others. Motorola products are not designed, intended, or authorized for use as components in systems intended for surgical implant into the body, or other applications intended to support or sustain life, or for any other application in which the failure of the Motorola product could create a situation where personal injury or death may occur. Should Buyer purchase or use Motorola products for any such unintended or unauthorized application, Buyer shall indemnify and hold Motorola and its officers, employees, subsidiaries, affiliates, and distributors harmless against all claims, costs, damages, and expenses, and reasonable attorney fees arising out of, directly or indirectly, any claim of personal injury or death associated with such unintended or unauthorized use, even if such claim alleges that Motorola was negligent regarding the design or manufacture of the part. Motorola and μ are registered trademarks of Motorola, Inc. Motorola, Inc. is an Equal Opportunity/Affirmative Action Employer.

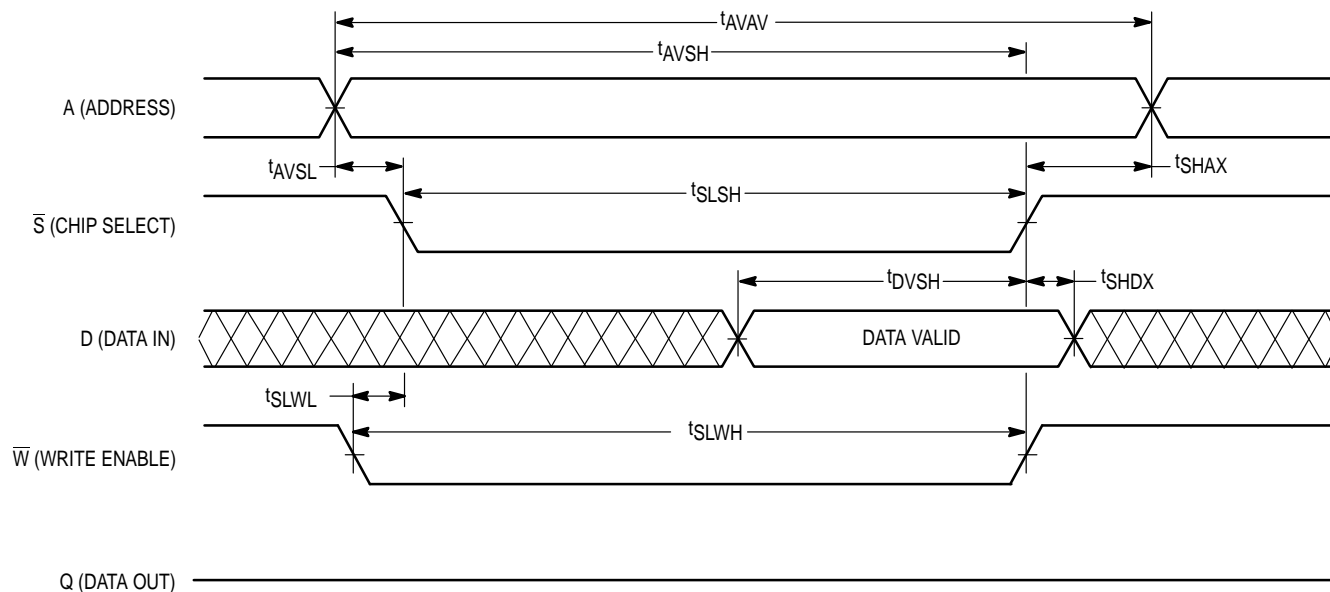
WRITE CYCLE 2 (\bar{S} Controlled, See Notes 1 and 2)

Parameter	Symbol	MCM101524-12		MCM101524-15		Unit	Notes
		Min	Max	Min	Max		
Write Cycle Time	t_{AVAV}	12	—	15	—	ns	3
Address Setup Time	t_{AVSL}	1	—	1	—	ns	
Address Valid to End of Write	t_{AVSH}	9	—	10	—	ns	
Write Pulse Width	t_{SLSH} t_{SLWH}	8	—	9	—	ns	
Data Valid to End of Write	t_{DVSH}	8	—	9	—	ns	
Chip Select Set-Up Time	t_{SLWL}	0	—	0	—	ns	
Data Hold Time	t_{SHDX}	1	—	1	—	ns	
Write Recovery Time	t_{SHAX}	1	—	1	—	ns	

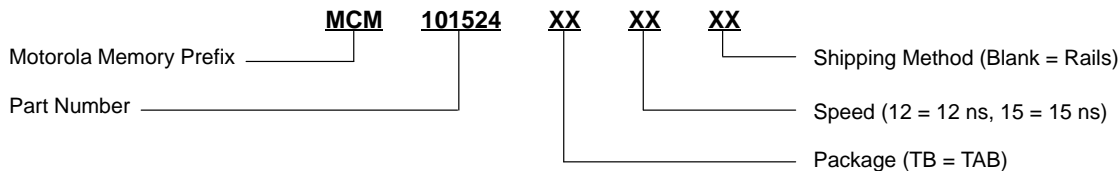
NOTES:

1. A write occurs during the overlap of \bar{S} low and \bar{W} low.
2. Product sensitivities to noise require proper grounding and decoupling of power supplies during read and write cycles.
3. All write cycle timings are referenced from the last valid address to the first transitioning address.

WRITE CYCLE 2 (\bar{S} Controlled, See Notes 1 and 2)



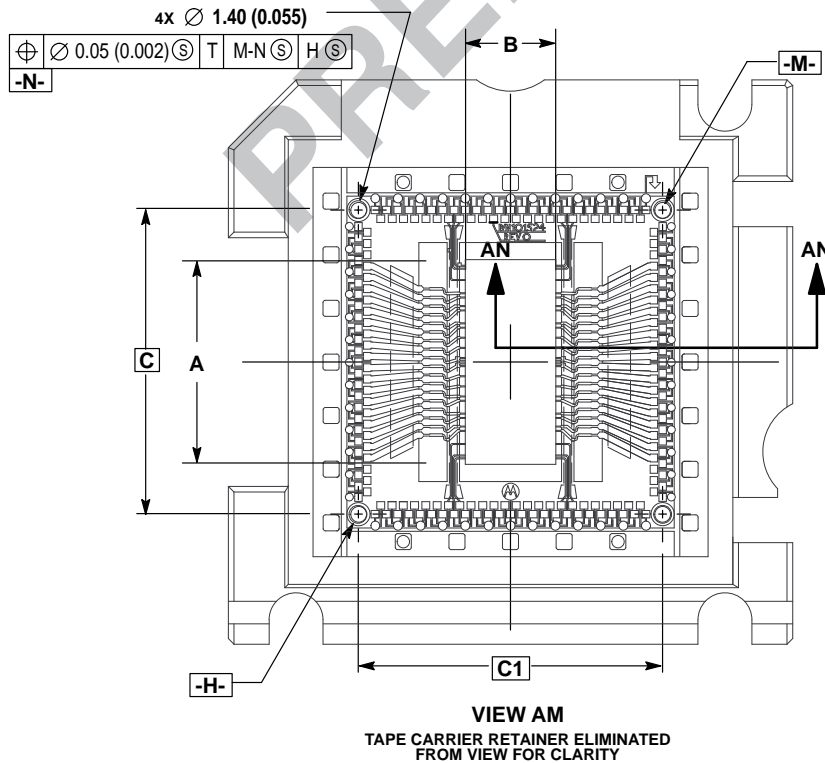
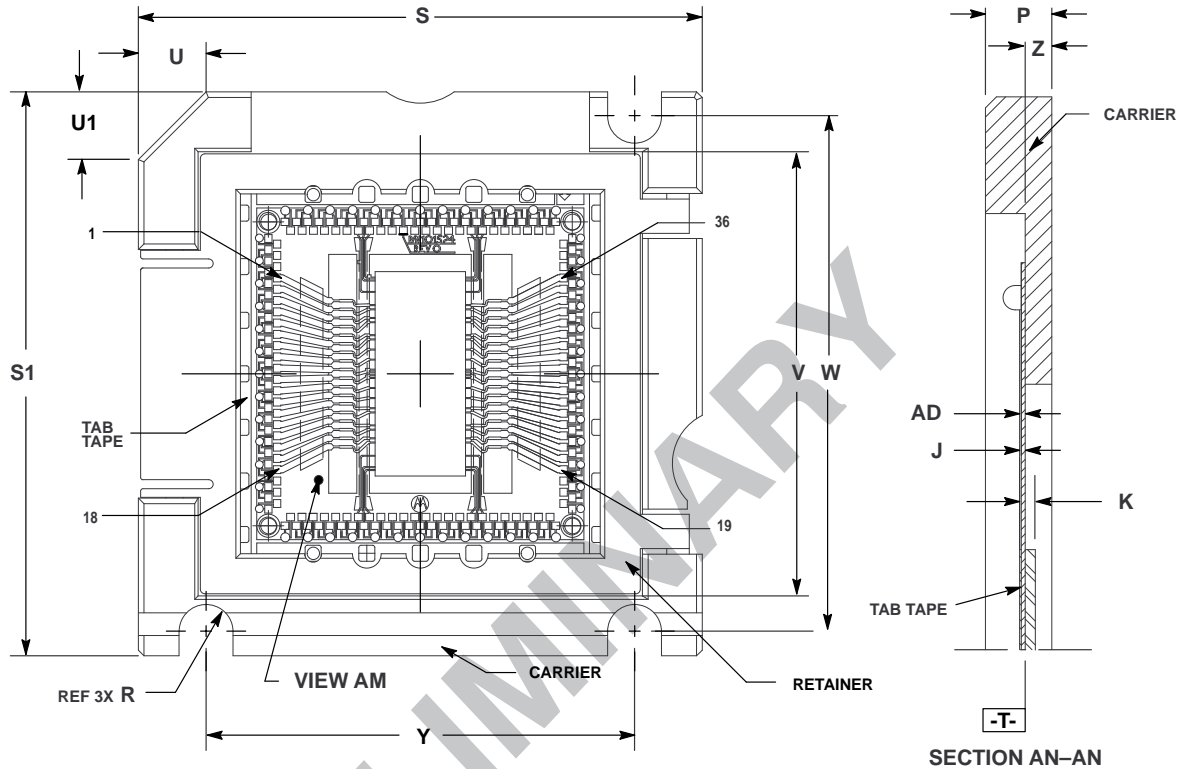
ORDERING INFORMATION
(Order by Full Part Number)



Full Part Numbers — MCM101524TB12
MCM101524TB15

PACKAGE DIMENSIONS

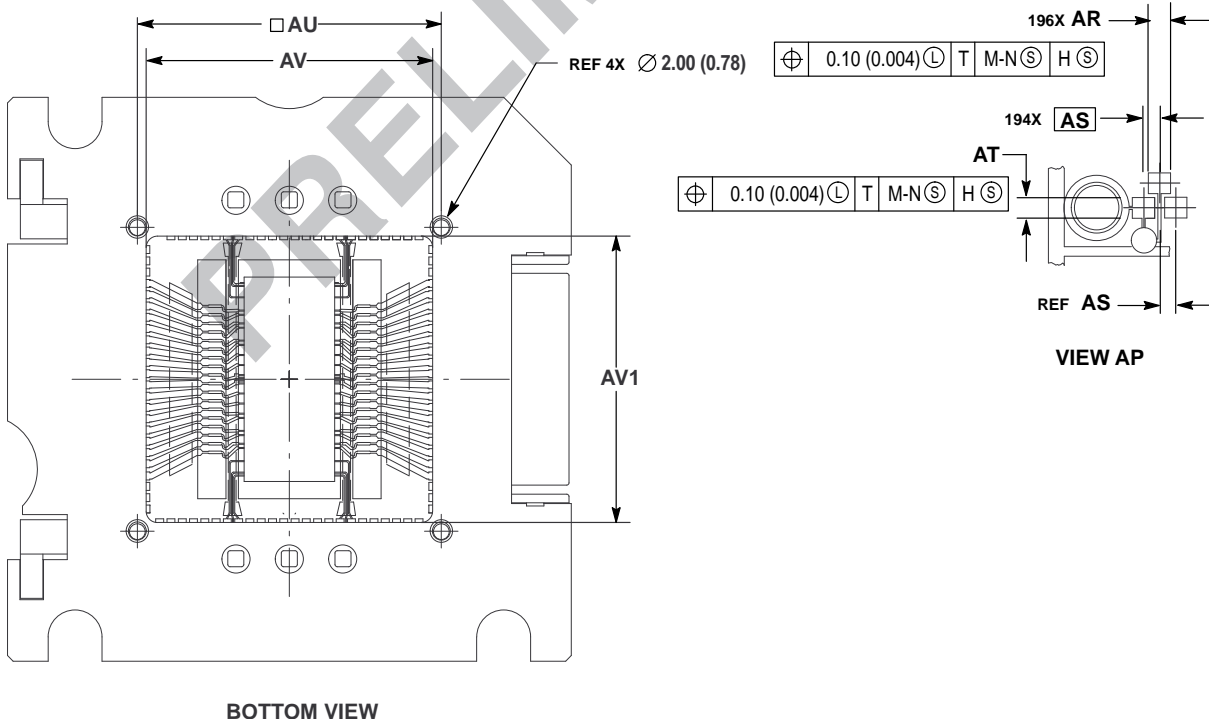
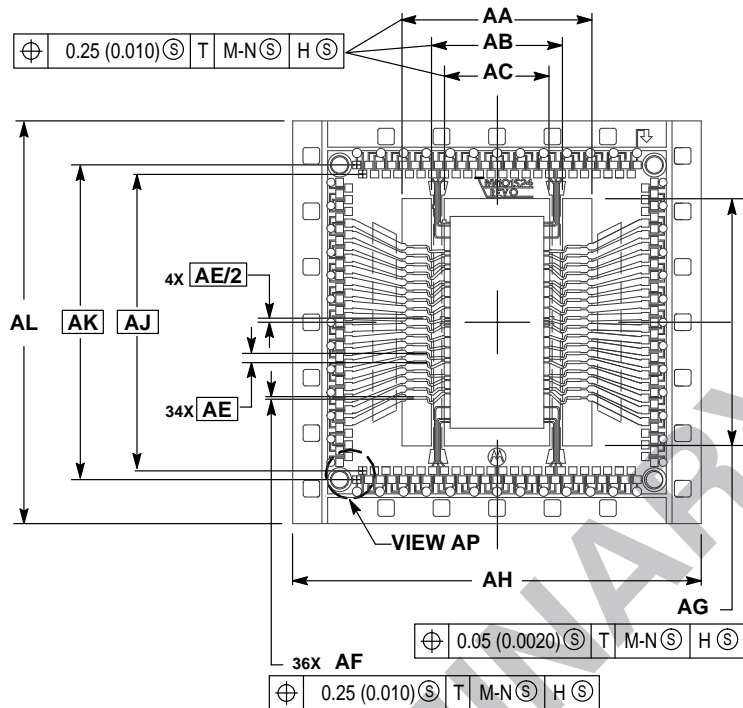
TB PACKAGE
400 MIL TAB
CASE 984A-01



- NOTES:
1. DIMENSIONING AND TOLERANCING PER ANSI Y14.5M, 1982.
2. CONTROLLING DIMENSION: MILLIMETER.

DIM	MILLIMETERS		INCHES	
	MIN	MAX	MIN	MAX
A	18.14	REF	0.714	REF
B	8.03	REF	0.316	REF
C	26.95	BSC	1.061	BSC
C1	26.95	BSC	1.061	BSC
J	—	0.25	—	0.010
K	—	0.71	—	0.028
P	3.00	REF	0.118	REF
R	2.39	REF	0.094	REF
S	50.00	REF	1.969	REF
S1	50.00	REF	1.969	REF
U	6.00	REF	0.236	REF
U1	6.00	REF	0.236	REF
V	39.40	REF	1.551	REF
W	45.68	REF	1.798	REF
Y	38.00	REF	1.496	REF
Z	1.15	1.25	0.045	0.049
AA	16.21	16.31	0.638	0.642
AB	11.20	11.30	0.441	0.445
AC	8.99	9.09	0.354	0.358
AD	0.15	0.21	0.006	0.008
AE	0.762	BSC	0.030	BSC
AF	0.18	0.28	0.007	0.011
AG	21.31	21.24	0.832	0.836
AH	35.00	REF	1.378	REF
AJ	25.40	REF	1.000	REF
AK	26.95	BSC	1.061	BSC
AL	34.98	REF	1.377	REF
AR	0.65	0.75	0.026	0.030
AS	0.50	BSC	0.020	BSC
AT	0.60	0.70	0.024	0.028
AU	26.95	REF	1.061	REF
AV	25.35	25.45	0.998	1.002
AV1	25.35	25.45	0.998	1.002

TB PACKAGE
400 MIL TAB
CASE 984A-01 (cont.)



BOTTOM VIEW

Literature Distribution Centers:

USA/EUROPE: Motorola Literature Distribution; P.O. Box 20912; Phoenix, Arizona 85036.

JAPAN: Nippon Motorola Ltd.; 4-32-1, Nishi-Gotanda, Shinagawa-ku, Tokyo 141, Japan.

ASIA PACIFIC: Motorola Semiconductors H.K. Ltd.; Silicon Harbour Center, No. 2 Dai King Street, Tai Po Industrial Estate, Tai Po, N.T., Hong Kong.



◇ CODELINE TO BE PLACED HERE

MCM101524/D

