

DATA SHEET

TDA9176 Luminance Transient Improvement (LTI) IC

Preliminary specification
Supersedes data of 1995 Jun 13
File under Integrated Circuits, IC02

1996 Jan 30

Luminance Transient Improvement (LTI) IC

TDA9176

FEATURES

- Luminance transient improvement
- Line width control
- Can be used in 50 and 100 Hz environments (1FH and 2FH)
- Compensating chrominance delay
- YUV interface
- Black insertion or clamping are selectable
- Amplitude selection for optimum operation with 450 mV (p-p) and 1 V_{bl-wh} luminance signals.

GENERAL DESCRIPTION

The TDA9176 is a Luminance Transient Improvement (LTI) IC which is suitable for operation in both 50 and 100 Hz environments. The device can be used in conjunction with both LCD and CRT displays.

The TDA9176 also contains chrominance delay lines to compensate for the luminance delay. The device can be used as a low-power, cost effective alternative to (but also in combination with) Scan Velocity Modulation (SVM). The device operates at a supply voltage of 8 V. The device is contained in a 16 pin dual in-line package.

QUICK REFERENCE DATA

SYMBOL	PARAMETER	CONDITIONS	MIN.	TYP.	MAX.	UNIT
V _{CC}	supply voltage		7.2	8.0	8.8	V
I _{CC}	supply current	at 1FH	–	24	–	mA
		at 2FH	–	30	–	mA
V _{iY(p-p)}	Y input voltage (peak-to-peak value)	low amplitude mode	–	0.45	0.63	V
V _{iY(bl-wh)}	Y input voltage (black-to-white)	high amplitude mode	–	1.0	1.4	V
G _Y	Y path gain		–	1		
V _{iU(p-p)}	U input voltage (peak-to-peak value)		–	1.33	1.90	V
V _{iV(p-p)}	V input voltage (peak-to-peak value)		–	1.05	1.50	V
G _{U, V}	U and V path gain		–	1	–	

ORDERING INFORMATION

TYPE NUMBER	PACKAGE		
	NAME	DESCRIPTION	VERSION
TDA9176	DIP16	plastic dual in-line package; 16 leads (300 mil); long body	SOT38-1

Luminance Transient Improvement (LTI) IC

TDA9176

BLOCK DIAGRAM

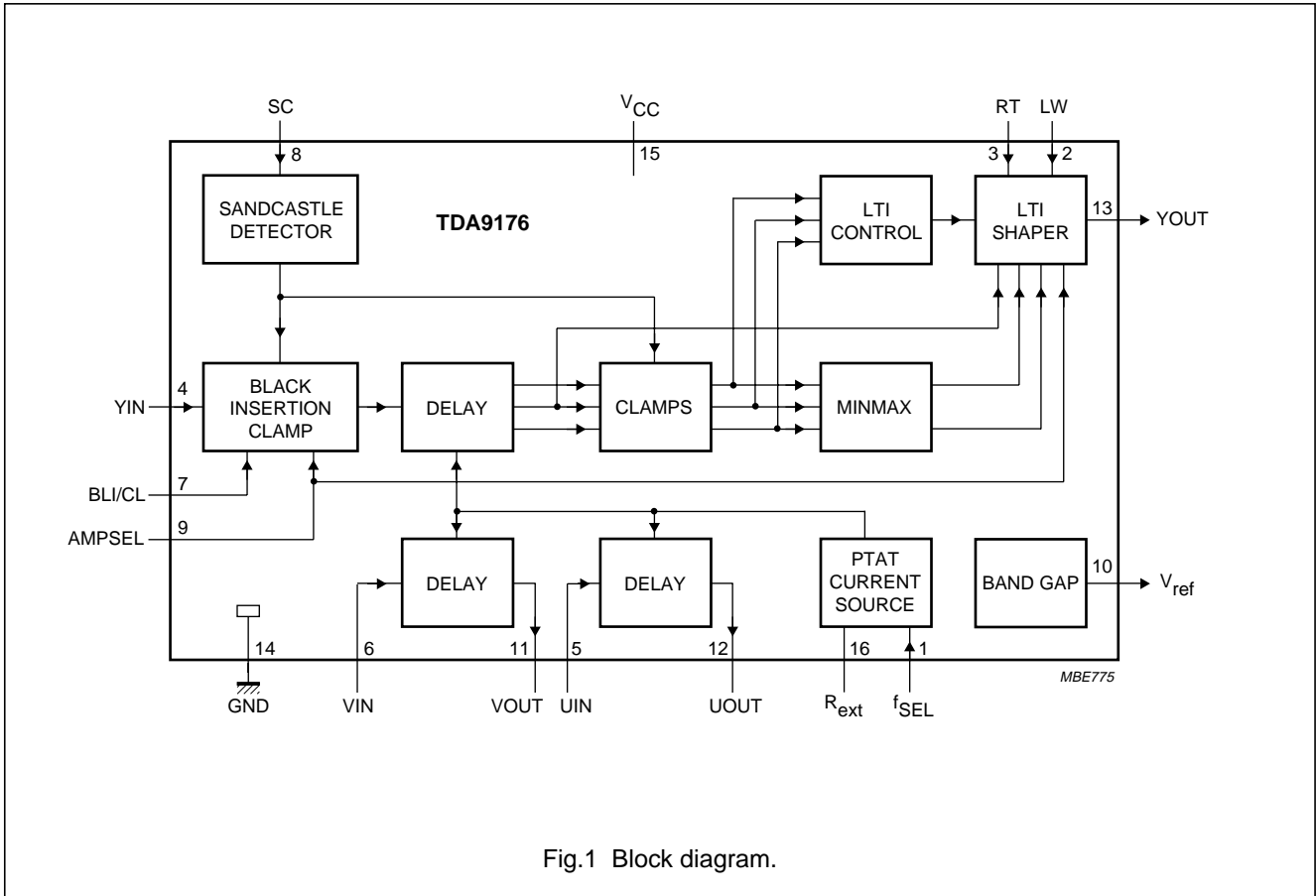


Fig.1 Block diagram.

Luminance Transient Improvement (LTI) IC

TDA9176

PINNING

SYMBOL	PIN	DESCRIPTION
f _{SEL}	1	1FH or 2FH mode selection
LW	2	vertical line width control input
RT	3	rise time control input
YIN	4	luminance signal input
UIN	5	U input (colour difference signal)
VIN	6	V input (colour difference signal)
BLI/CL	7	black level insertion/clamp mode selection
SC	8	synchronization input signal
AMPSEL	9	high/low amplitude luminance signal mode selection
V _{ref}	10	internally generated reference voltage for line width control and rise time control
VOUT	11	V output (colour difference signal)
UOUT	12	U output (colour difference signal)
YOUT	13	luminance signal output
GND	14	ground (0 V)
V _{CC}	15	supply voltage (+8 V)
R _{ext}	16	external resistor for PTAT current source

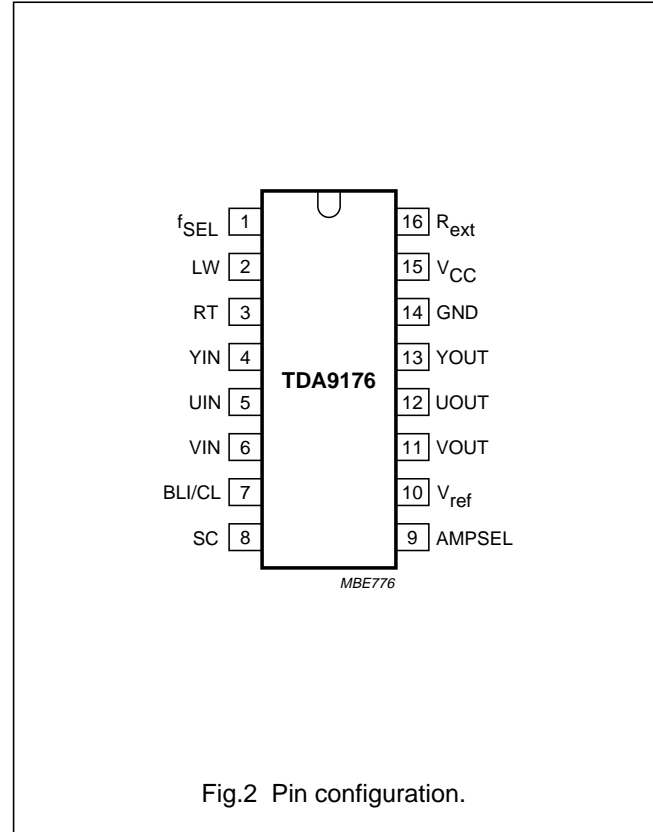


Fig.2 Pin configuration.

Luminance Transient Improvement (LTI) IC

TDA9176

FUNCTIONAL DESCRIPTION

The TDA9176 is a Luminance Transient Improvement (LTI) IC which is suitable for operation in both 50 and 100 Hz environments. The IC also contains chrominance delay lines to compensate for the luminance delay. A diagram of the LTI processor is illustrated in Fig.3.

The LTI processor contains a delay line which drives a minimum/maximum (MINMAX) detector and a control circuit. When the control circuit discovers a transient, the LTI shaper switches from the minimum to the maximum signal (or vice-versa, depending on the sign of the transient). By mixing the original signal with the switched signal, a variable transient improvement is obtained. The 50% crossing point of the transient is not affected by the LTI circuit.

If the rise time improvement is active, the duty cycle of the output signal can be varied with the line width control input. This function delays the rising edge and advances the falling edge (or vice-versa). This can be used for example aperture correction. Figures 4 and 5 illustrate some waveforms of the LTI processor.

For correct operation the LTI circuit requires a number of fast clamps. To overcome problems where noise is superimposed on the input signal the device contains an input clamp that can either clamp to the black level of the input signal, or, insert a black level. When a black level is inserted, the internal clamps do not respond to the noise on the input signal (see Fig.1). When the input signal already has an inserted black level (e.g. when it is driven from the TDA9170 picture booster) it is recommended to

set the device to the clamping mode. If no inserted black level is available on the input signal it is recommended to select the black insert mode of the input clamp.

The chrominance delay lines compensate for the delay of the luminance signal in the LTI circuit. This is to safeguard a correct colour fit.

Two and three level sandcastles can be used as a timing signal, only the clamp pulse of the sandcastle input is used in the device.

There are three selection inputs to select the modes of operation. These selections are as follows:

1. 1FH or 2FH, for the 50 or 100 Hz applications.
2. Amplitude selection, for optimum operation of the circuit with 450 mV (p-p) or 1 V_{bl-wh} luminance signals.
3. Black insertion or clamping of the luminance signal.

The selection inputs must be directly connected to either ground or the supply rail. The modes are selected as follows:

Frequency selection: GND = 1FH mode,
V_{CC} = 2FH mode

Amplitude selection: GND = 450 mV (p-p),
V_{CC} = 1 V_{bl-wh} mode

Black insertion/clamp: GND = clamp mode,
V_{CC} = black insert mode.

If the selection pins are left floating, internal 1 MΩ resistors connected to the pins set the device to, 1FH mode, black insert mode and 1 V_{bl-wh} mode.

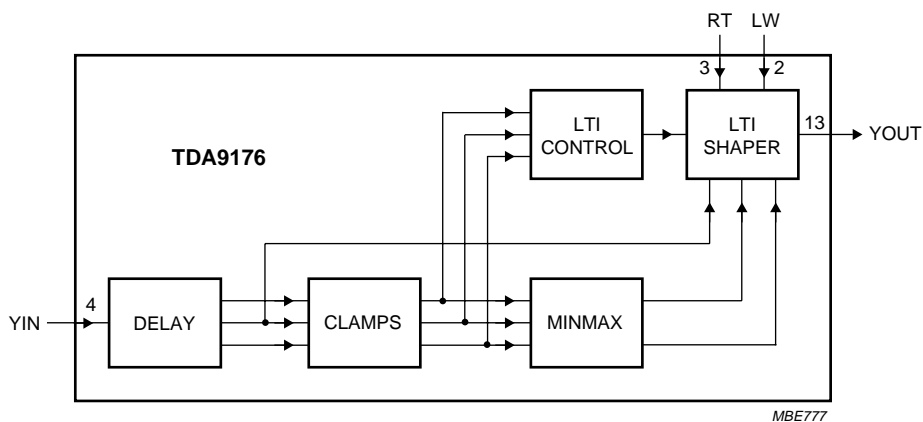


Fig.3 Block diagram of the LTI circuit.

Luminance Transient Improvement (LTI) IC

TDA9176

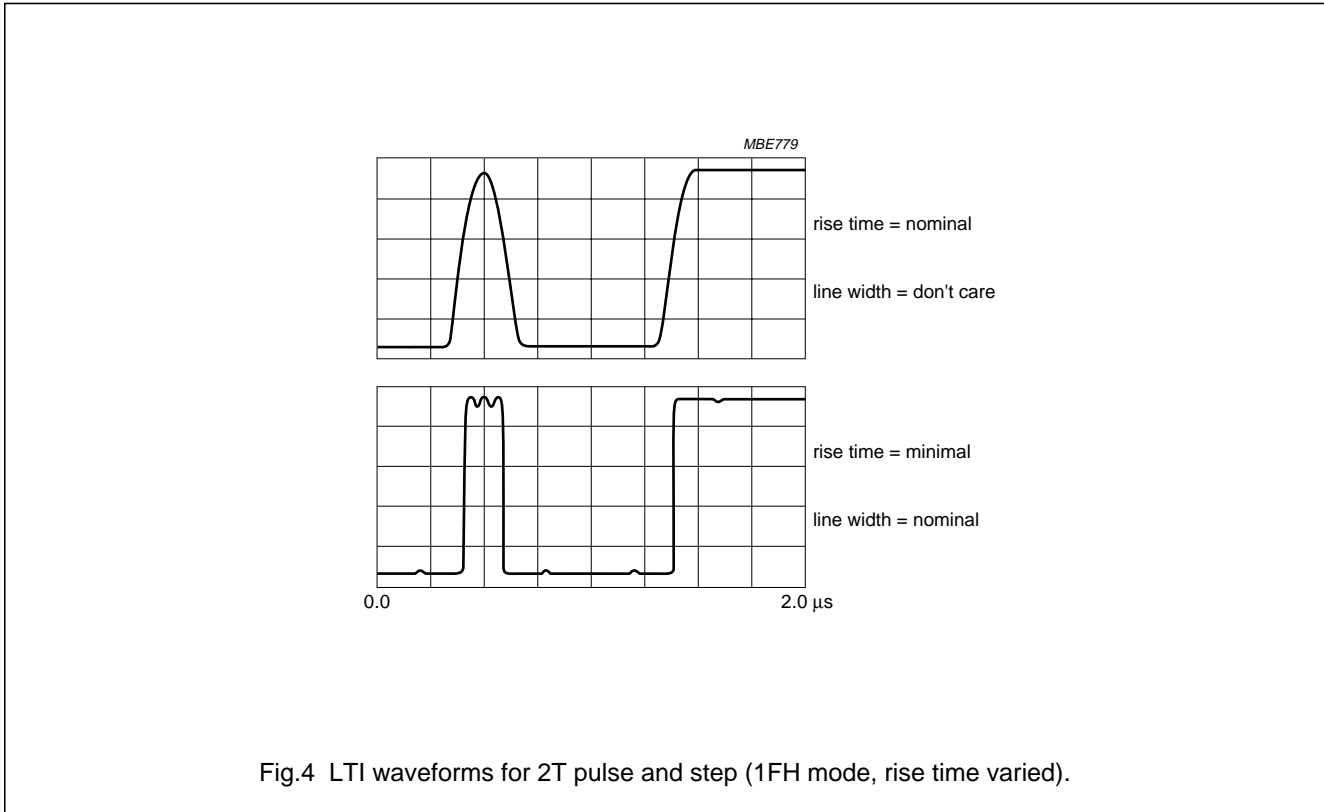


Fig.4 LTI waveforms for 2T pulse and step (1FH mode, rise time varied).

Luminance Transient Improvement (LTI) IC

TDA9176

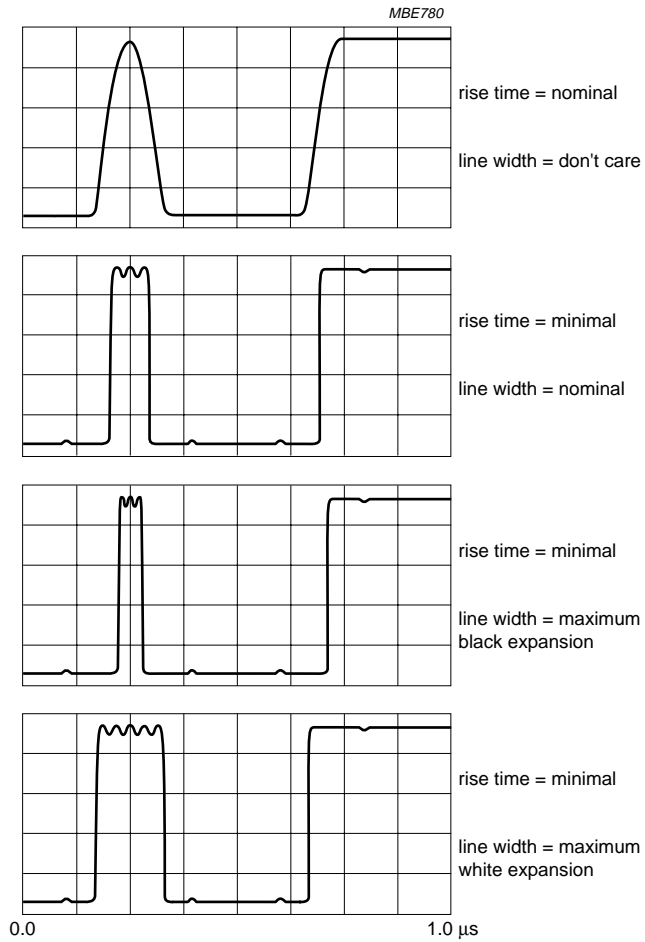


Fig.5 LTI waveforms for 2T pulse and step (2FH mode, line width varied).

Luminance Transient Improvement (LTI) IC

TDA9176

LIMITING VALUES

In accordance with the Absolute Maximum Rating System (IEC 134).

SYMBOL	PARAMETER	CONDITIONS	MIN.	TYP.	MAX.	UNIT
V_{CC}	supply voltage		–	–	9.0	V
I_{CC}	supply current		–	–	35	mA
P_{tot}	total power dissipation		–	–	0.315	W
T_{stg}	storage temperature		–55	–	+150	°C
T_{amb}	operating ambient temperature		–10	–	+70	°C
V_{es}	electrostatic handling	note 1	–3000	–	+3000	V
		note 2	–300	–	+300	V

Notes

- Human body model: equivalent to discharging a 100 pF capacitor through a 1.5 k Ω resistor (all pins).
- Machine model: equivalent to discharging a 200 pF capacitor through a 0 Ω resistor (all pins).

THERMAL CHARACTERISTICS

SYMBOL	PARAMETER	VALUE	UNIT
$R_{th\ j-a}$	thermal resistance from junction to ambient in free air	69	K/W

QUALITY SPECIFICATION

In accordance with SNW-FQ-611 part E. The numbers of the quality specification can be found in the "Quality reference Handbook". The handbook can be ordered using the code 9397 750 00192.

Luminance Transient Improvement (LTI) IC

TDA9176

CHARACTERISTICS $V_{CC} = 8\text{ V}$; $T_{amb} = 25\text{ °C}$; unless otherwise specified.

SYMBOL	PARAMETER	CONDITIONS	MIN.	TYP.	MAX.	UNIT
Supplies						
V_{CC}	supply voltage		7.2	8.0	8.8	V
I_{CC}	supply current	1FH mode	–	24	–	mA
		2FH mode	–	30	–	mA
P_{dis}	power dissipation	1FH mode	–	192	–	mW
		2FH mode	–	240	–	mW
Y channel; note 1						
$V_{i(Y\text{ p-p})}$	input voltage (peak-to-peak value)	LOW amplitude mode	–	0.45	0.63	V
$V_{i(Y\text{ bl-wh})}$	input voltage (black-to-white)	HIGH amplitude mode	–	1.0	1.4	V
$I_{i(Y)}$	input current		–	0	–	μA
V_{BLoS}	black offset voltage	black insert mode	–	–	10	mV
$V_{o(DC)}$	DC output voltage level during clamping	low amplitude mode	–	3.7	–	V
		high amplitude mode	–	2.2	–	V
$G_{(Y)}$	gain	all modes	–	1	–	
t_d	delay time	1FH mode	–	165	–	ns
		2FH mode	–	100	–	ns
V_{tr}	rise time control voltage	minimum rise time	3.5	–	4.0	V
		nominal rise time	0	–	0.5	V
V_{LW}	line width control voltage	normal width	–	2.0	–	V
		maximum black expansion	0	–	0.5	V
		maximum white expansion	3.5	–	4.0	V
$t_{r(\text{min})}$	minimum rise time	1FH mode; note 2	–	20	–	ns
		2FH mode; note 2	–	14	–	ns
$\delta_{(\text{min})}$	minimum duty factor	$f_i = 2\text{ MHz}$; line width minimum; maximum black expansion; note 3	–	33	–	%
$\delta_{(\text{max})}$	maximum duty factor	$f_i = 2\text{ MHz}$; line width maximum; maximum white expansion; note 3	–	67	–	%
B_Y	bandwidth	1FH mode; nominal rise time; note 4	7	–	–	MHz
		2FH mode; nominal rise time; note 4	14	–	–	MHz

Luminance Transient Improvement (LTI) IC

TDA9176

SYMBOL	PARAMETER	CONDITIONS	MIN.	TYP.	MAX.	UNIT
U and V channels						
$V_{iUV(p-p)}$	input voltage (peak-to-peak value)	V channel	–	1.05	1.50	V
		U channel	–	1.33	1.90	V
I_{iUV}	input current	both channels	–	0	–	μ A
$V_{oUV(DC)}$	DC output voltage level during clamping	both channels	–	3.0	–	V
G_{UV}	gain	both channels	–	1	–	
$t_{d(UV)}$	delay time	1FH mode	–	165	–	ns
		2FH mode	–	100	–	ns
B_{UV}	bandwidth	both channels	5	–	–	MHz
Sandcastle input						
CL_{th}	clamping threshold		–	$V_{top} - 0.6$	–	V
V_{ripple}	allowed ripple on clamping pulse		–	–	0.4	V
Reference voltage						
$V_{ref(DC)}$	DC reference voltage level		–	4.0	–	V
I_{source}	source current	note 5	–	–	1	mA

Notes

- All data given is for a 3.0 k Ω external resistor connected to the PTAT current source (pin 16).
- The test input is a step whose rising edge is the rising half of a sine wave. For the 1FH mode the input rise time is 250 ns (i.e. half of a 2 MHz sine wave). For the 2FH mode the input rise time is 125 ns (i.e. half of a 4 MHz sine wave). The output rise time is measured between the 10% and 90% points of the output signal.
- The figures given on duty cycle variation refer to the following conditions: the device should be in 1FH mode (pin 1 at ground level) and the rise time should be at minimum (pin 3 connected to V_{ref} , pin 10).
- In the transparent mode, i.e. at normal rise time, the bandwidth of the luminance path for which the group delay time constant is 7 MHz in the 1FH mode and 14 MHz in the 2FH mode. However, as the circuit uses all-pass filters, ringing on the output signal may occur if the bandwidth of the input signal is larger than 7 MHz in the 1FH mode or 14 MHz in the 2FH mode. As the LTI processor adds harmonics to the luminance signal, the bandwidth of the output signal is much larger than 14 MHz.
- The maximum DC load on the reference voltage pin (pin 10) should not exceed 1 mA.

Luminance Transient Improvement (LTI) IC

TDA9176

TEST AND APPLICATION INFORMATION

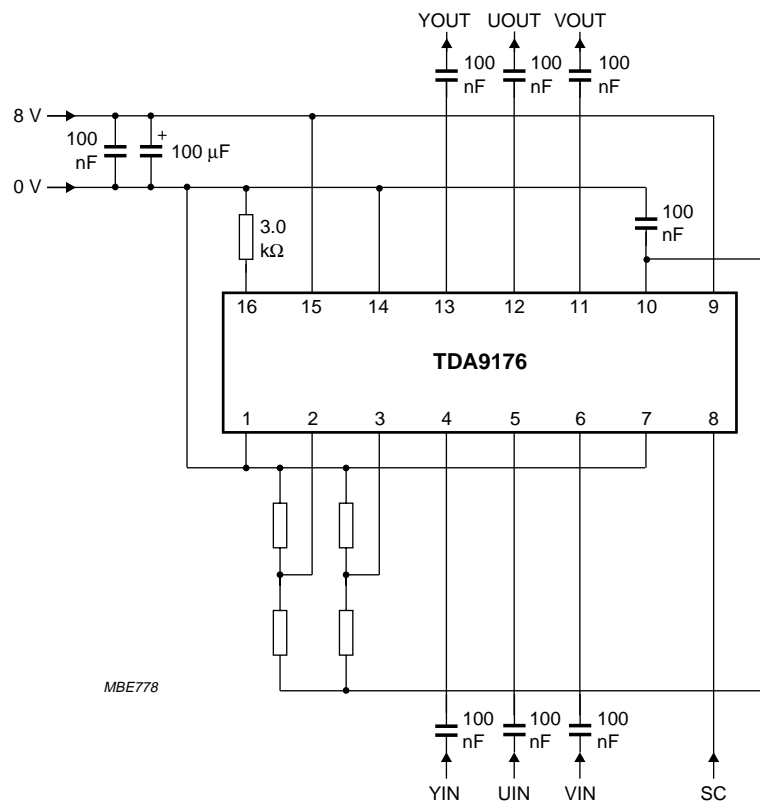


Fig.6 Application diagram for 50 Hz application with 1 V_{bl-wh} input signal and luminance clamping.

Luminance Transient Improvement (LTI) IC

TDA9176

INPUT PIN CONFIGURATION

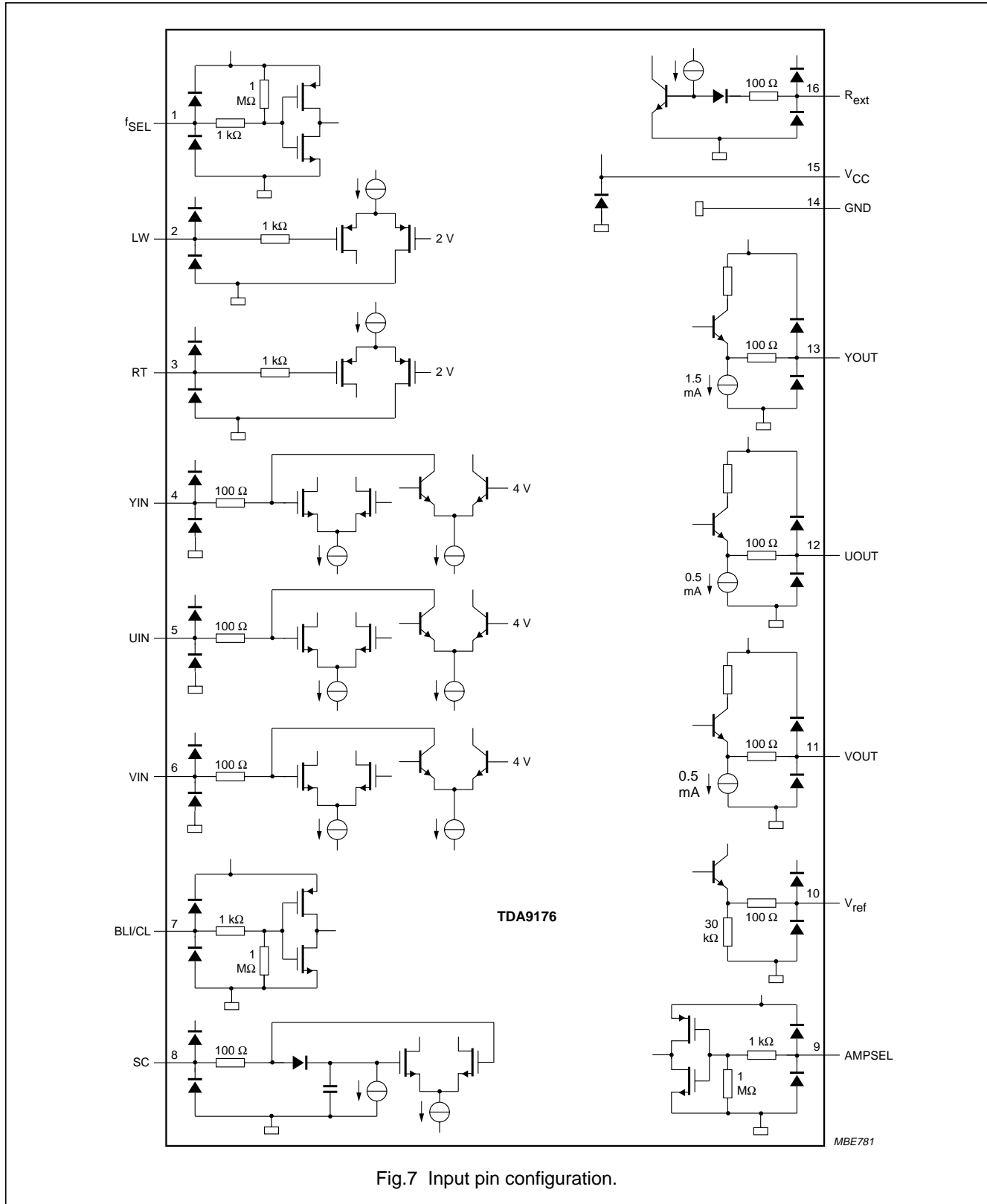


Fig.7 Input pin configuration.

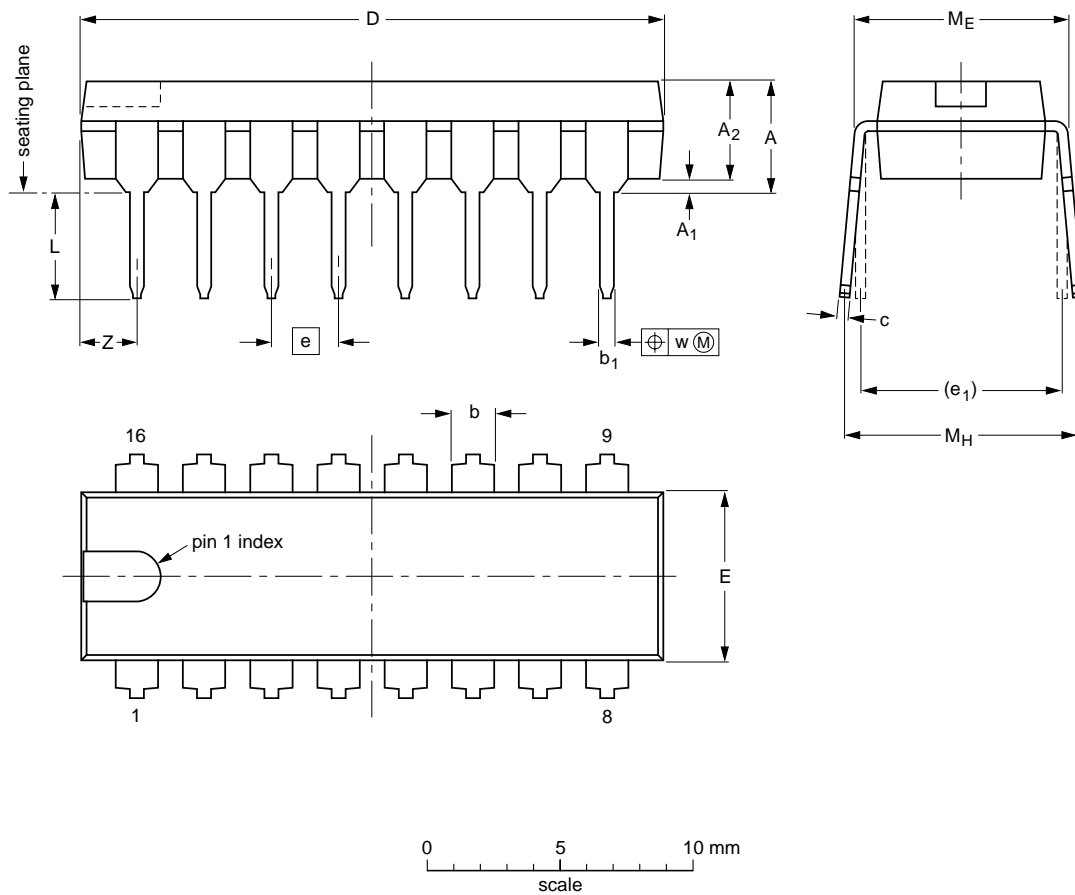
Luminance Transient Improvement (LTI) IC

TDA9176

PACKAGE OUTLINE

DIP16: plastic dual in-line package; 16 leads (300 mil); long body

SOT38-1



DIMENSIONS (inch dimensions are derived from the original mm dimensions)

UNIT	A max.	A ₁ min.	A ₂ max.	b	b ₁	c	D ⁽¹⁾	E ⁽¹⁾	e	e ₁	L	M _E	M _H	w	Z ⁽¹⁾ max.
mm	4.7	0.51	3.7	1.40 1.14	0.53 0.38	0.32 0.23	21.8 21.4	6.48 6.20	2.54	7.62	3.9 3.4	8.25 7.80	9.5 8.3	0.254	2.2
inches	0.19	0.020	0.15	0.055 0.045	0.021 0.015	0.013 0.009	0.86 0.84	0.26 0.24	0.10	0.30	0.15 0.13	0.32 0.31	0.37 0.33	0.01	0.087

Note

1. Plastic or metal protrusions of 0.25 mm maximum per side are not included.

OUTLINE VERSION	REFERENCES				EUROPEAN PROJECTION	ISSUE DATE
	IEC	JEDEC	EIAJ			
SOT38-1	050G09	MO-001AE				92-10-02 95-01-19

Luminance Transient Improvement (LTI) IC

TDA9176

SOLDERING**Introduction**

There is no soldering method that is ideal for all IC packages. Wave soldering is often preferred when through-hole and surface mounted components are mixed on one printed-circuit board. However, wave soldering is not always suitable for surface mounted ICs, or for printed-circuits with high population densities. In these situations reflow soldering is often used.

This text gives a very brief insight to a complex technology. A more in-depth account of soldering ICs can be found in our "IC Package Databook" (order code 9398 652 90011).

Soldering by dipping or by wave

The maximum permissible temperature of the solder is 260 °C; solder at this temperature must not be in contact

with the joint for more than 5 seconds. The total contact time of successive solder waves must not exceed 5 seconds.

The device may be mounted up to the seating plane, but the temperature of the plastic body must not exceed the specified maximum storage temperature ($T_{stg\ max}$). If the printed-circuit board has been pre-heated, forced cooling may be necessary immediately after soldering to keep the temperature within the permissible limit.

Repairing soldered joints

Apply a low voltage soldering iron (less than 24 V) to the lead(s) of the package, below the seating plane or not more than 2 mm above it. If the temperature of the soldering iron bit is less than 300 °C it may remain in contact for up to 10 seconds. If the bit temperature is between 300 and 400 °C, contact may be up to 5 seconds.

DEFINITIONS

Data sheet status	
Objective specification	This data sheet contains target or goal specifications for product development.
Preliminary specification	This data sheet contains preliminary data; supplementary data may be published later.
Product specification	This data sheet contains final product specifications.
Limiting values	
Limiting values given are in accordance with the Absolute Maximum Rating System (IEC 134). Stress above one or more of the limiting values may cause permanent damage to the device. These are stress ratings only and operation of the device at these or at any other conditions above those given in the Characteristics sections of the specification is not implied. Exposure to limiting values for extended periods may affect device reliability.	
Application information	
Where application information is given, it is advisory and does not form part of the specification.	

LIFE SUPPORT APPLICATIONS

These products are not designed for use in life support appliances, devices, or systems where malfunction of these products can reasonably be expected to result in personal injury. Philips customers using or selling these products for use in such applications do so at their own risk and agree to fully indemnify Philips for any damages resulting from such improper use or sale.

Luminance Transient Improvement (LTI) IC

TDA9176

NOTES

Philips Semiconductors – a worldwide company

Argentina: IEROD, Av. Juramento 1992 - 14.b, (1428)
BUENOS AIRES, Tel. (541)786 7633, Fax. (541)786 9367

Australia: 34 Waterloo Road, NORTH RYDE, NSW 2113,
Tel. (02)805 4455, Fax. (02)805 4466

Austria: Triester Str. 64, A-1101 WIEN, P.O. Box 213,
Tel. (01)60 101-1236, Fax. (01)60 101-1211

Belgium: Postbus 90050, 5600 PB EINDHOVEN, The Netherlands,
Tel. (31)40-2783749, Fax. (31)40-2788399

Brazil: Rua do Rocio 220 - 5th floor, Suite 51,
CEP: 04552-903-SÃO PAULO-SP, Brazil,
P.O. Box 7383 (01064-970),
Tel. (011)821-2333, Fax. (011)829-1849

Canada: PHILIPS SEMICONDUCTORS/COMPONENTS:
Tel. (800) 234-7381, Fax. (708) 296-8556

Chile: Av. Santa Maria 0760, SANTIAGO,
Tel. (02)773 816, Fax. (02)777 6730

China/Hong Kong: 501 Hong Kong Industrial Technology Centre,
72 Tat Chee Avenue, Kowloon Tong, HONG KONG,
Tel. (852)2319 7888, Fax. (852)2319 7700

Colombia: IPRELENZO LTDA, Carrera 21 No. 56-17,
77621 BOGOTA, Tel. (571)249 7624/(571)217 4609,
Fax. (571)217 4549

Denmark: Prags Boulevard 80, PB 1919, DK-2300
COPENHAGEN S, Tel. (45)32 88 26 36, Fax. (45)31 57 19 49

Finland: Sinikalliontie 3, FIN-02630 ESPOO,
Tel. (358)0-615 800, Fax. (358)0-61580 920

France: 4 Rue du Port-aux-Vins, BP317,
92156 SURESNES Cedex,
Tel. (01)4099 6161, Fax. (01)4099 6427

Germany: P.O. Box 10 51 40, 20035 HAMBURG,
Tel. (040)23 53 60, Fax. (040)23 53 63 00

Greece: No. 15, 25th March Street, GR 17778 TAVROS,
Tel. (01)4894 339/4894 911, Fax. (01)4814 240

India: Philips INDIA Ltd, Shivsagar Estate, A Block,
Dr. Annie Besant Rd. Worli, Bombay 400 018
Tel. (022)4938 541, Fax. (022)4938 722

Indonesia: Philips House, Jalan H.R. Rasuna Said Kav. 3-4,
P.O. Box 4252, JAKARTA 12950,
Tel. (021)5201 122, Fax. (021)5205 189

Ireland: Newstead, Clonskeagh, DUBLIN 14,
Tel. (01)7640 000, Fax. (01)7640 200

Italy: PHILIPS SEMICONDUCTORS S.r.l.,
Piazza IV Novembre 3, 20124 MILANO,
Tel. (0039)2 6752 2531, Fax. (0039)2 6752 2557

Japan: Philips Bldg 13-37, Kohnan2-chome, Minato-ku, TOKYO 108,
Tel. (03)3740 5130, Fax. (03)3740 5077

Korea: Philips House, 260-199 Itaewon-dong,
Yongsan-ku, SEOUL, Tel. (02)709-1412, Fax. (02)709-1415

Malaysia: No. 76 Jalan Universiti, 46200 PETALING JAYA,
SELANGOR, Tel. (03)750 5214, Fax. (03)757 4880

Mexico: 5900 Gateway East, Suite 200, EL PASO, TX 79905,
Tel. 9-5(800)234-7381, Fax. (708)296-8556

Netherlands: Postbus 90050, 5600 PB EINDHOVEN, Bldg. VB,
Tel. (040)2783749, Fax. (040)2788399

New Zealand: 2 Wagener Place, C.P.O. Box 1041, AUCKLAND,
Tel. (09)849-4160, Fax. (09)849-7811

Norway: Box 1, Manglerud 0612, OSLO,
Tel. (022)74 8000, Fax. (022)74 8341

Pakistan: Philips Electrical Industries of Pakistan Ltd.,
Exchange Bldg. ST-2/A, Block 9, KDA Scheme 5, Clifton,
KARACHI 75600, Tel. (021)587 4641-49,
Fax. (021)577035/5874546

Philippines: PHILIPS SEMICONDUCTORS PHILIPPINES Inc.,
106 Valero St. Salcedo Village, P.O. Box 2108 MCC, MAKATI,
Metro MANILA, Tel. (63) 2 816 6380, Fax. (63) 2 817 3474

Portugal: PHILIPS PORTUGUESA, S.A.,
Rua dr. António Loureiro Borges 5, Arquiparque - Miraflores,
Apartado 300, 2795 LINDA-A-VELHA,
Tel. (01)4163160/4163333, Fax. (01)4163174/4163366

Singapore: Lorong 1, Toa Payoh, SINGAPORE 1231,
Tel. (65)350 2000, Fax. (65)251 6500

South Africa: S.A. PHILIPS Pty Ltd.,
195-215 Main Road Martindale, 2092 JOHANNESBURG,
P.O. Box 7430, Johannesburg 2000,
Tel. (011)470-5911, Fax. (011)470-5494

Spain: Balmes 22, 08007 BARCELONA,
Tel. (03)301 6312, Fax. (03)301 42 43

Sweden: Kottbygatan 7, Akalla. S-164 85 STOCKHOLM,
Tel. (0)8-632 2000, Fax. (0)8-632 2745

Switzerland: Allmendstrasse 140, CH-8027 ZÜRICH,
Tel. (01)488 2211, Fax. (01)481 77 30

Taiwan: PHILIPS TAIWAN Ltd., 23-30F, 66, Chung Hsiao West
Road, Sec. 1. Taipeh, Taiwan ROC, P.O. Box 22978,
TAIPEI 100, Tel. (886) 2 382 4443, Fax. (886) 2 382 4444

Thailand: PHILIPS ELECTRONICS (THAILAND) Ltd.,
209/2 Sanpavuth-Bangna Road Prakanong,
Bangkok 10260, THAILAND,
Tel. (66) 2 745-4090, Fax. (66) 2 398-0793

Turkey: Talatpasa Cad. No. 5, 80640 GÜLTEPE/ISTANBUL,
Tel. (0212)279 27 70, Fax. (0212)282 67 07

Ukraine: Philips UKRAINE, 2A Akademika Koroleva str., Office 165,
252148 KIEV, Tel. 380-44-4760297, Fax. 380-44-4766991

United Kingdom: Philips Semiconductors LTD.,
276 Bath Road, Hayes, MIDDLESEX UB3 5BX,
Tel. (0181)730-5000, Fax. (0181)754-8421

United States: 811 East Arques Avenue, SUNNYVALE,
CA 94088-3409, Tel. (800)234-7381, Fax. (708)296-8556

Uruguay: Coronel Mora 433, MONTEVIDEO,
Tel. (02)70-4044, Fax. (02)92 0601

Internet: <http://www.semiconductors.philips.com/ps/>

For all other countries apply to: Philips Semiconductors,
International Marketing and Sales, Building BE-p,
P.O. Box 218, 5600 MD EINDHOVEN, The Netherlands,
Telex 35000 phtcnl, Fax. +31-40-2724825

SCDS47

© Philips Electronics N.V. 1996

All rights are reserved. Reproduction in whole or in part is prohibited without the prior written consent of the copyright owner.

The information presented in this document does not form part of any quotation or contract, is believed to be accurate and reliable and may be changed without notice. No liability will be accepted by the publisher for any consequence of its use. Publication thereof does not convey nor imply any license under patent- or other industrial or intellectual property rights.

Printed in The Netherlands

537021/1100/02/pp16

Date of release: 1996 Jan 30

Document order number:

9397 750 00598