

HD14557B

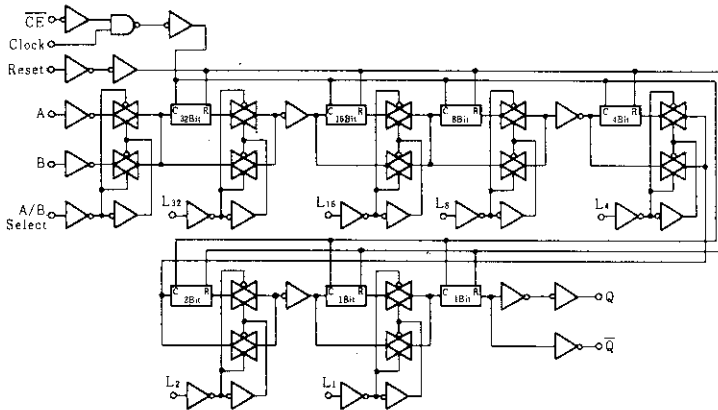
1-to-64-bit Variable Length Shift Register

The HD14557B is a static clocked serial shift register whose length may be programmed to be any number of bits between 1 and 64. The number of bits selected is equal to the sum of the subscripts of the enabled Length Control inputs (L1, L2, L4, L8, L16 and L32) plus one. Serial data may be selected from the A or B data inputs with the A/B select input. This feature is useful for recirculation purposes. A Clock Enable (CE) input is provided to allow gating of the clock or negative edge clocking capability.

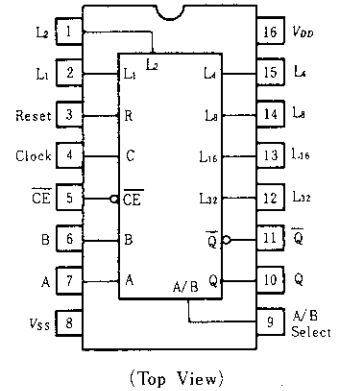
FEATURES

- Quiescent Current = 10nA/pkg typ. @5V
- 1-64 Bit Programmable Length
- Q and \bar{Q} Serial Buffered Outputs
- Asynchronous Master Reset
- All Inputs Buffered
- No Limit On Clock Rise and Fall Times
- 8MHz Operation @10V
- Supply Voltage Range = 3 to 18V
- Capable of Driving One Low-power Schottky TTL Load Over the Rated Temperature Range

LOGIC DIAGRAM



PIN ARRANGEMENT



TRUTH TABLE

Inputs				Outputs
R	A/B	C	\bar{CE}	Q
0	0		0	B
0	1		0	A
0	0	1		B
0	1	1		A
1	x	x	x	0

Note: Q is the output of the first selected shift register stage.
x = Don't Care

■ LENGTH SELECT TRUTH TABLE

L ₃₂	L ₁₆	L ₈	L ₄	L ₂	L ₁	Register Length
0	0	0	0	0	0	1-bit
0	0	0	0	0	1	2-bit
0	0	0	0	1	0	3-bit
0	0	0	0	1	1	4-bit
0	0	0	1	0	0	5-bit
0	0	0	1	0	1	6-bit
⋮	⋮	⋮	⋮	⋮	⋮	⋮
1	0	0	0	0	0	33-bit
1	0	0	0	0	1	34-bit
⋮	⋮	⋮	⋮	⋮	⋮	⋮
1	1	1	1	0	0	61-bit
1	1	1	1	0	1	62-bit
1	1	1	1	1	0	63-bit
1	1	1	1	1	1	64-bit

■ ELECTRICAL CHARACTERISTICS

Characteristic	Symbol	V _{DD} (V)	Test Conditions	-40°C		25°C			85°C		Unit
				min	max	min	typ	max	min	max	
Output Voltage	V _{OL}	5.0	V _{in} = V _{DD} or 0	—	0.05	—	0	0.05	—	0.05	V
		10		—	0.05	—	0	0.05	—	0.05	
		15		—	0.05	—	0	0.05	—	0.05	
	V _{OH}	5.0	V _{in} = 0 or V _{DD}	4.95	—	4.95	5.0	—	4.95	—	V
		10		9.95	—	9.95	10	—	9.95	—	
		15		14.95	—	14.95	15	—	14.95	—	
Input Voltage	V _{IL}	5.0	V _{out} = 4.5 or 0.5V	—	1.5	—	2.25	1.5	—	1.5	V
		10	V _{out} = 9.0 or 1.0V	—	3.0	—	4.50	3.0	—	3.0	
		15	V _{out} = 13.5 or 1.5V	—	4.0	—	6.75	4.0	—	4.0	
	V _{IH}	5.0	V _{out} = 0.5 or 4.5V	3.5	—	3.5	2.75	—	3.5	—	V
		10	V _{out} = 1.0 or 9.0V	7.0	—	7.0	5.50	—	7.0	—	
		15	V _{out} = 1.5 or 13.5V	11.0	—	11.0	8.25	—	11.0	—	
Output Drive Current	I _{OH}	5.0	V _{OH} = 2.5V	-1.0	—	-0.8	-1.7	—	-0.6	—	mA
		5.0	V _{OH} = 4.6V	-0.2	—	-0.16	-0.36	—	-0.12	—	
		10	V _{OH} = 9.5V	-0.5	—	-0.4	-0.9	—	-0.3	—	
		15	V _{OH} = 13.5V	-1.4	—	-1.2	-3.5	—	-1.0	—	
	I _{OL}	5.0	V _{OL} = 0.4V	0.52	—	0.44	0.88	—	0.36	—	mA
		10	V _{OL} = 0.5V	1.3	—	1.1	2.25	—	0.9	—	
15		V _{OL} = 1.5V	3.6	—	3.0	8.8	—	2.4	—		
Input Current	I _{in}	15		—	±0.3	—	±0.0001	±0.3	—	±1.0	μA
Input Capacitance	C _{in}		V _{in} = 0	—	—	—	5.0	7.5	—	—	pF
Quiescent Current	I _{DD}	5.0	Zero Signal, per Package	—	50	—	0.010	50	—	375	μA
		10		—	100	—	0.020	100	—	750	
		15		—	200	—	0.030	200	—	1500	
Total Supply Current*	I _T	5.0	Dynamic + I _{DD} , per Gate, C _L = 50pF, f = 1 kHz	—	—	—	1.75	—	—	—	μA
		10		—	—	—	3.5	—	—	—	
		15		—	—	—	5.25	—	—	—	

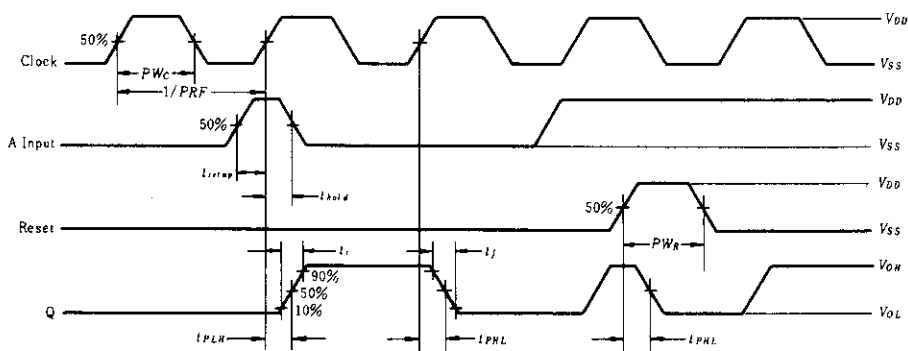
* To calculate total supply current at frequency other than 1kHz.

@V_{DD} = 5.0V I_T = (1.75 μA/kHz)f + I_{DD}, @V_{DD} = 10V I_T = (3.5 μA/kHz)f + I_{DD}, @V_{DD} = 15V I_T = (5.25 μA/kHz)f + I_{DD}

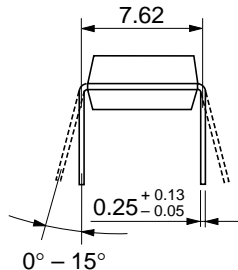
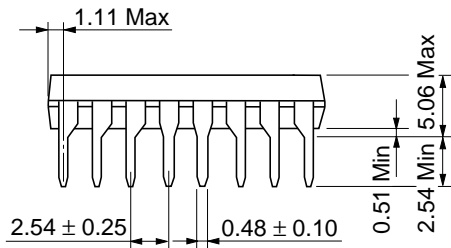
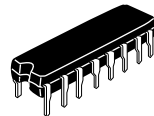
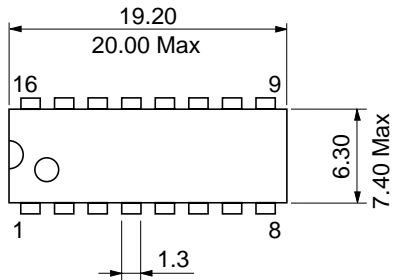
■ SWITCHING CHARACTERISTICS ($C_L=50\text{pF}$, $T_a=25^\circ\text{C}$)

Characteristic		Symbol	V_{DD} (V)	min	typ	max	Unit
Output Rise Time		t_r	5.0	—	180	400	ns
			10	—	90	200	
			15	—	65	100	
Output Fall Time		t_f	5.0	—	100	200	ns
			10	—	50	100	
			15	—	37	80	
Propagation Delay Time	C, $\overline{\text{CE}}$ to Q, $\overline{\text{Q}}$	t_{PLH} , t_{PHL}	5.0	—	500	1250	ns
			10	—	200	500	
	15	—	150	375			
	R to Q, $\overline{\text{Q}}$	5.0	—	475	1190		
		10	—	190	475		
			15	—	140	350	
Clock Pulse Width		PW_C	5.0	660	220	—	ns
			10	200	68	—	
			15	150	50	—	
Reset Pulse Width		PW_R	5.0	900	300	—	ns
			10	270	90	—	
			15	180	60	—	
Clock Frequency		PRF	5.0	—	2.5	0.83	MHz
			10	—	8.0	2.7	
			15	—	10.5	3.3	
Clock Pulse Rise and Fall Time		t_r, t_f	5.0	No Limit			
			10				
			15				
Setup Time		t_{setup}	5.0	1350	450	—	ns
			10	540	180	—	
			15	400	135	—	
Hold Time		t_{hold}	5.0	-150	-450	—	ns
			10	-60	-180	—	
			15	-45	-135	—	

● TIMING DIAGRAM



Note) 1-bit length; $\overline{\text{CE}}=0$, A/B=1, L₁=L₂=L₄=L₅=L₁₆=L₁₇=0



Hitachi Code	DP-16
JEDEC	Conforms
EIAJ	Conforms
Weight (reference value)	1.07 g

Cautions

1. Hitachi neither warrants nor grants licenses of any rights of Hitachi's or any third party's patent, copyright, trademark, or other intellectual property rights for information contained in this document. Hitachi bears no responsibility for problems that may arise with third party's rights, including intellectual property rights, in connection with use of the information contained in this document.
2. Products and product specifications may be subject to change without notice. Confirm that you have received the latest product standards or specifications before final design, purchase or use.
3. Hitachi makes every attempt to ensure that its products are of high quality and reliability. However, contact Hitachi's sales office before using the product in an application that demands especially high quality and reliability or where its failure or malfunction may directly threaten human life or cause risk of bodily injury, such as aerospace, aeronautics, nuclear power, combustion control, transportation, traffic, safety equipment or medical equipment for life support.
4. Design your application so that the product is used within the ranges guaranteed by Hitachi particularly for maximum rating, operating supply voltage range, heat radiation characteristics, installation conditions and other characteristics. Hitachi bears no responsibility for failure or damage when used beyond the guaranteed ranges. Even within the guaranteed ranges, consider normally foreseeable failure rates or failure modes in semiconductor devices and employ systemic measures such as fail-safes, so that the equipment incorporating Hitachi product does not cause bodily injury, fire or other consequential damage due to operation of the Hitachi product.
5. This product is not designed to be radiation resistant.
6. No one is permitted to reproduce or duplicate, in any form, the whole or part of this document without written approval from Hitachi.
7. Contact Hitachi's sales office for any questions regarding this document or Hitachi semiconductor products.

HITACHI

Hitachi, Ltd.

Semiconductor & Integrated Circuits.
Nippon Bldg., 2-6-2, Ohte-machi, Chiyoda-ku, Tokyo 100-0004, Japan
Tel: Tokyo (03) 3270-2111 Fax: (03) 3270-5109

URL North America : <http://semiconductor.hitachi.com/>
 Europe : <http://www.hitachi-eu.com/hel/ecg>
 Asia (Singapore) : <http://www.has.hitachi.com.sg/grp3/sicd/index.htm>
 Asia (Taiwan) : http://www.hitachi.com.tw/E/Product/SICD_Frame.htm
 Asia (HongKong) : <http://www.hitachi.com.hk/eng/bo/grp3/index.htm>
 Japan : <http://www.hitachi.co.jp/Sicd/indx.htm>

For further information write to:

Hitachi Semiconductor
(America) Inc.
179 East Tasman Drive,
San Jose, CA 95134
Tel: <1> (408) 433-1990
Fax: <1> (408) 433-0223

Hitachi Europe GmbH
Electronic components Group
Dornacher Straße 3
D-85622 Feldkirchen, Munich
Germany
Tel: <49> (89) 9 9180-0
Fax: <49> (89) 9 29 30 00

Hitachi Europe Ltd.
Electronic Components Group.
Whitebrook Park
Lower Cookham Road
Maidenhead
Berkshire SL6 8YA, United Kingdom
Tel: <44> (1628) 585000
Fax: <44> (1628) 778322

Hitachi Asia Pte. Ltd.
16 Collyer Quay #20-00
Hitachi Tower
Singapore 049318
Tel: 535-2100
Fax: 535-1533

Hitachi Asia Ltd.
Taipei Branch Office
3F, Hung Kuo Building, No.167,
Tun-Hwa North Road, Taipei (105)
Tel: <886> (2) 2718-3666
Fax: <886> (2) 2718-8180

Hitachi Asia (Hong Kong) Ltd.
Group III (Electronic Components)
7/F., North Tower, World Finance Centre,
Harbour City, Canton Road, Tsim Sha Tsui,
Kowloon, Hong Kong
Tel: <852> (2) 735 9218
Fax: <852> (2) 730 0281
Telex: 40815 HITEC HX

Copyright ' Hitachi, Ltd., 1999. All rights reserved. Printed in Japan.

HITACHI