

PM6388

EOCTL

OCTAL E1 FRAMER

DATA SHEET

ISSUE 6: JANUARY, 2000

CONTENTS

1 FEATURES 1

2 APPLICATIONS 4

3 REFERENCES..... 5

4 APPLICATION EXAMPLES 7

5 BLOCK DIAGRAM 8

6 DESCRIPTION 9

7 PIN DIAGRAM 11

8 PIN DESCRIPTION..... 12

9 FUNCTIONAL DESCRIPTION..... 24

9.1 E1 FRAMER (E1-FRMR)..... 24

9.2 PERFORMANCE MONITOR COUNTERS (PMON) 30

9.3 DATA LINK EXTRACTOR (RXCE) 31

9.4 HDLC RECEIVER (RDLC) 31

9.5 ELASTIC STORE (ELST)..... 32

9.6 SIGNALING EXTRACTOR (SIGX)..... 32

9.7 RECEIVE PER-CHANNEL SERIAL CONTROLLER (RPSC)..... 33

9.8 PATTERN DETECTOR/GENERATOR (PRGD) 33

9.9 E1 TRANSMITTER (E1-TRAN)..... 34

9.10 TRANSMIT PER-CHANNEL SERIAL CONTROLLER (TPSC).... 34

9.11 TRANSMIT DATA LINK INSERTER (TXCI)..... 35

9.12 FACILITY DATA LINK TRANSMITTER (TDPR) 35

9.13 RECEIVE AND TRANSMIT DIGITAL JITTER ATTENUATOR (RJAT,
TJAT)..... 36

9.14	TIMING OPTIONS (TOPS)	40
9.15	BACKPLANE RECEIVE INTERFACE (BRIF)	40
9.15.1	NON-MULTIPLEXED BUS INGRESS MODES.....	40
9.15.2	MULTIPLEXED BUS INGRESS MODE	42
9.16	BACKPLANE TRANSMIT INTERFACE (BTIF)	43
9.16.1	NON-MULTIPLEXED BUS EGRESS MODES.....	43
9.16.2	MULTIPLEXED EGRESS INTERFACE	45
9.17	JTAG TEST ACCESS PORT	46
9.18	MICROPROCESSOR INTERFACE	46
10	NORMAL MODE REGISTER DESCRIPTION	52
11	OPERATION.....	255
11.1	CONFIGURING THE EOCTL FROM RESET	255
11.2	USING THE MULTIPLEXED BACKPLANE.....	263
11.2.1	INGRESS MULTIPLEXED BUS CONFIGURATION ...	263
11.2.2	EGRESS MULTIPLEXED BUS CONFIGURATION	264
11.3	USING THE PER-TIMESLOT TRANSMIT DATA LINK DIRECTOR	266
11.4	USING THE INTERNAL FDL TRANSMITTER	267
11.5	USING THE PER-TIMESLOT RECEIVE DATA LINK EXTRACTOR	270
11.6	USING THE INTERNAL FDL RECEIVER	271
11.7	USING THE PRGD PATTERN GENERATOR/DETECTOR	275
11.8	USING THE LOOPBACK MODES.....	280
11.8.1	LINE LOOPBACK	280
11.8.2	DIAGNOSTIC DIGITAL LOOPBACK	280

11.8.3	PER-TS LOOPBACK	281
11.9	USING THE PER-TS SERIAL CONTROLLERS	283
11.9.1	INITIALIZATION	283
11.9.2	DIRECT ACCESS MODE	283
11.9.3	INDIRECT ACCESS MODE	283
11.10	USING THE TRANSMIT DIGITAL JITTER ATTENUATOR	284
11.10.1	DEFAULT APPLICATION	284
11.10.2	DATA BURST APPLICATION	285
11.10.3	ELASTIC STORE APPLICATION	285
11.10.4	ALTERNATE TLCLK REFERENCE APPLICATION....	286
11.11	ISOLATING AN INTERRUPT	286
11.12	USING THE PERFORMANCE MONITOR COUNTER VALUES	286
11.13	JTAG SUPPORT	289
12	FUNCTIONAL TIMING	294
13	ABSOLUTE MAXIMUM RATINGS	302
14	D .C. CHARACTERISTICS	303
15	MICROPROCESSOR INTERFACE TIMING CHARACTERISTICS	305
16	EOCTL I/O TIMING CHARACTERISTICS	310
17	ORDERING AND THERMAL INFORMATION	322
18	MECHANICAL INFORMATION	323

LIST OF REGISTERS

REGISTERS 000H, 080H, 100H, 180H, 200H, 280H, 300H, 380H: RECEIVE LINE OPTIONS..... 53

REGISTERS 001H, 081H, 101H, 181H, 201H, 281H, 301H, 381H: INGRESS INTERFACE OPTIONS 56

REGISTERS 002H, 082H, 102H, 182H, 202H, 282H, 302H, 382H: TRANSMIT INTERFACE CONFIGURATION..... 59

REGISTERS 003H, 083H, 103H, 183H, 203H, 283H, 303H, 383H: EGRESS INTERFACE OPTIONS 61

REGISTERS 004H, 084H, 104H, 184H, 204H, 284H, 304H, 384H: TRANSMIT TIMING OPTIONS..... 63

REGISTERS 005H, 085H, 105H, 185H, 205H, 285H, 305H, 385H: INTERRUPT SOURCE #1 69

REGISTERS 006H, 086H, 106H, 186H, 206H, 286H, 306H, 386H: INTERRUPT SOURCE #2 70

REGISTERS 007H, 087H, 107H, 187H, 207H, 287H, 307H, 387H: DIAGNOSTICS..... 71

REGISTER 008H: EOCTL MASTER TEST..... 73

REGISTER 009H: EOCTL REVISION/CHIP ID/GLOBAL PMON UPDATE..... 75

REGISTERS 00AH, 08AH, 10AH, 18AH, 20AH, 28AH, 30AH, 38AH: DATA LINK MICRO SELECT/FRAMER RESET 76

REGISTER 00BH: INTERRUPT ID 78

REGISTERS 00CH, 08CH, 10CH, 18CH, 20CH, 28CH, 30CH, 38CH: PATTERN GENERATOR/DETECTOR POSITIONING/CONTROL..... 79

REGISTERS 00DH, 08DH, 10DH, 18DH, 20DH, 28DH, 30DH, 38DH: CLOCK MONITOR 81

REGISTERS 00EH, 08EH, 10EH, 18EH, 20EH, 28EH, 30EH, 38EH: INGRESS FRAME PULSE CONFIGURATION..... 83

REGISTERS 010H, 090H, 110H, 190H, 210H, 290H, 310H, 390H: RECEIVE BACKPLANE CONFIGURATION	85
REGISTERS 011H, 091H, 111H, 191H, 211H, 291H, 311H, 391H: RECEIVE BACKPLANE FRAME PULSE CONFIGURATION	88
REGISTERS 012H, 092H, 112H, 192H, 212H, 292H, 312H, 392H: RECEIVE BACKPLANE PARITY/F-BIT CONFIGURATION	92
REGISTERS 013H, 093H, 113H, 193H, 213H, 293H, 313H, 393H: RECEIVE BACKPLANE TIME SLOT OFFSET	94
REGISTERS 014H, 094H, 114H, 194H, 214H, 294H, 314H, 394H: RECEIVE BACKPLANE BIT OFFSET	95
REGISTERS 018H, 098H, 118H, 198H, 218H, 298H, 318H, 398H: TRANSMIT BACKPLANE CONFIGURATION	97
REGISTERS 019H, 099H, 119H, 199H, 219H, 299H, 319H, 399H: TRANSMIT BACKPLANE FRAME PULSE CONFIGURATION	100
REGISTERS 01AH, 09AH, 11AH, 19AH, 21AH, 29AH, 31AH, 39AH: TRANSMIT BACKPLANE PARITY CONFIGURATION AND STATUS.....	101
REGISTERS 01BH, 09BH, 11BH, 19BH, 21BH, 29BH, 31BH, 39BH: TRANSMIT BACKPLANE TIME SLOT OFFSET	103
REGISTERS 01CH, 09CH, 11CH, 19CH, 21CH, 29CH, 31CH, 39CH: TRANSMIT BACKPLANE BIT OFFSET	104
REGISTERS 020H, 0A0H, 120H, 1A0H, 220H, 2A0H, 320H, 3A0H: RJAT INTERRUPT STATUS.....	106
REGISTER 021H, 0A1H, 121H, 1A1H, 221H, 2A1H, 321H, 3A1H: RJAT REFERENCE CLOCK DIVISOR (N1) CONTROL	107
REGISTERS 022H, 0A2H, 122H, 1A2H, 222H, 2A2H, 322H, 3A2H: RJAT OUTPUT CLOCK DIVISOR (N2) CONTROL.....	108
REGISTERS 023H, 0A3H, 123H, 1A3H, 223H, 2A3H, 323H, 3A3H: RJAT CONFIGURATION.....	109
REGISTERS 024H, 0A4H, 124H, 1A4H, 224H, 2A4H, 324H, 3A4H: TJAT INTERRUPT STATUS.....	111

REGISTER 025H, 0A5H, 125H, 1A5H, 225H, 2A5H, 325H, 3A5H: TJAT
REFERENCE CLOCK DIVISOR (N1) CONTROL 112

REGISTERS 026H, 0A6H, 126H, 1A6H, 226H, 2A6H, 326H, 3A6H: TJAT
OUTPUT CLOCK DIVISOR (N2) CONTROL..... 113

REGISTERS 027H, 0A7H, 127H, 1A7H, 227H, 2A7H, 327H, 3A7H: TJAT
CONFIGURATION 114

REGISTERS 028H, 0A8H, 128H, 1A8H, 228H, 2A8H, 328H, 3A8H (TXCISEL = 0): RXCE RECEIVE DATA LINK 1 CONTROL..... 116

REGISTERS 029H, 0A9H, 129H, 1A9H, 229H, 2A9H, 329H, 3A9H (TXCISEL = 0): RXCE DATA LINK 1 BIT SELECT REGISTER 118

REGISTERS 02AH, 0AAH, 12AH, 1AAH, 22AH, 2AAH, 32AH, 3AAH (TXCISEL = 0): RXCE RECEIVE DATA LINK 2 CONTROL 119

REGISTERS 02BH, 0ABH, 12BH, 1ABH, 22BH, 2ABH, 32BH, 3ABH (TXCISEL = 0): RXCE DATA LINK 2 BIT SELECT REGISTER 120

REGISTERS 02CH, 0ACH, 12CH, 1ACH, 22CH, 2ACH, 32CH, 3ACH (TXCISEL = 0): RXCE RECEIVE DATA LINK 3 CONTROL 121

REGISTERS 02DH, 0ADH, 12DH, 1ADH, 22DH, 2ADH, 32DH, 3ADH (TXCISEL = 0): RXCE DATA LINK 3 BIT SELECT REGISTER 122

REGISTER 028H, 0A8H, 128H, 1A8H, 228H, 2A8H, 328H, 3A8H (TXCISEL = 1): TXCI TRANSMIT DATA LINK 1 CONTROL..... 123

REGISTERS 029H, 0A9H, 129H, 1A9H, 229H, 2A9H, 329H, 3A9H (TXCISEL = 1): TXCI DATA LINK 1 BIT SELECT REGISTER..... 125

REGISTER 02AH, 0AAH, 12AH, 1AAH, 22AH, 2AAH, 32AH, 3AAH (TXCISEL = 1): TXCI TRANSMIT DATA LINK 2 CONTROL..... 126

REGISTERS 02BH, 0ABH, 12BH, 1ABH, 22BH, 2ABH, 32BH, 3ABH (TXCISEL = 1): TXCI DATA LINK 2 BIT SELECT REGISTER..... 128

REGISTER 02CH, 0ACH, 12CH, 1ACH, 22CH, 2ACH, 32CH, 3ACH (TXCISEL = 1): TXCI TRANSMIT DATA LINK 3 CONTROL..... 131

REGISTERS 02DH, 0ADH, 12DH, 1ADH, 22DH, 2ADH, 32DH, 3ADH (TXCISEL = 1): TXCI DATA LINK 3 BIT SELECT REGISTER..... 133

REGISTERS 030H, 0B0H, 130H, 1B0H, 230H, 2B0H, 330H, 3B0H: E1 FRMR FRAME ALIGNMENT OPTIONS	134
REGISTERS 031H, 0B1H, 131H, 1B1H, 231H, 2B1H, 331H, 3B1H: E1 FRMR MAINTENANCE MODE OPTIONS.....	136
REGISTERS 032H, 0B2H, 132H, 1B2H, 232H, 2B2H, 332H, 3B2H: E1 FRMR FRAMING STATUS INTERRUPT ENABLE	138
REGISTERS 033H, 0B3H, 133H, 1B3H, 233H, 2B3H, 333H, 3B3H: E1 FRMR MAINTENANCE/ALARM STATUS INTERRUPT ENABLE	139
REGISTERS 034H, 0B4H, 134H, 1B4H, 234H, 2B4H, 334H, 3B1H: E1 FRMR FRAMING STATUS INTERRUPT INDICATION.....	140
REGISTERS 035H, 0B5H, 135H, 1B5H, 235H, 2B5H, 335H, 3B5H: E1 FRMR MAINTENANCE/ALARM STATUS INTERRUPT INDICATION.....	141
REGISTERS 036H, 0B6H, 136H, 1B6H, 236H, 2B6H, 336H, 3B6H: E1 FRMR FRAMING STATUS.....	142
REGISTERS 037H, 0B7H, 137H, 1B7H, 237H, 2B7H, 337H, 3B7H: E1 FRMR MAINTENANCE/ALARM STATUS.....	144
REGISTERS 038H, 0B8H, 138H, 1B8H, 238H, 2B8H, 338H, 3B8H: E1 FRMR TIMESLOT 0 INTERNATIONAL/NATIONAL BITS	146
REGISTERS 039H, 0B9H, 139H, 1B9H, 239H, 2B9H, 339H, 3B9H: E1 FRMR CRC ERROR COUNTER – LSB.....	148
REGISTERS 03AH, 0BAH, 13AH, 1BAH, 23AH, 2BAH, 33AH, 3BAH: E1 FRMR CRC ERROR COUNTER – MSB/TIMESLOT 16 EXTRA BITS	149
REGISTERS 03BH, 0BBH, 13BH, 1BBH, 23BH, 2BBH, 33BH, 3BBH: E1 FRMR NATIONAL BIT CODEWORD INTERRUPT ENABLES	151
REGISTERS 03CH, 0BCH, 13CH, 1BCH, 23CH, 2BCH, 33CH, 3BCH: E1 FRMR NATIONAL BIT CODEWORD INTERRUPTS	153
REGISTERS 03DH, 0BDH, 13DH, 1BDH, 23DH, 2BDH, 33DH, 3BDH: E1 FRMR NATIONAL BIT CODEWORD	154
REGISTERS 03EH, 0BEH, 13EH, 1BEH, 23EH, 2BEH, 33EH, 3BEH: E1 FRMR FRAME PULSE/ALARM/V5.2 LINK ID INTERRUPT ENABLES	155

REGISTERS 03FH, 0BFH, 13FH, 1BFH, 23FH, 2BFH, 33FH, 3BFH: E1 FRMR FRAME PULSE/ALARM INTERRUPTS	157
REGISTERS 040H, 0C0H, 140H, 1C0H, 240H, 2C0H, 340H, 3C0H: E1 TRAN CONFIGURATION	159
REGISTERS 041H, 0C1H, 141H, 1C1H, 241H, 2C1H, 341H, 3C1H: E1 TRAN TRANSMIT ALARM/DIAGNOSTIC CONTROL.....	163
REGISTERS 042H, 0C2H, 142H, 1C2H, 242H, 2C2H, 342H, 3C2H: E1 TRAN INTERNATIONAL BITS CONTROL.....	165
REGISTERS 043H, 0C3H, 143H, 1C3H, 243H, 2C3H, 343H, 3C3H: E1 TRAN EXTRA BITS CONTROL	166
REGISTERS 044H, 0C4H, 144H, 1C4H, 244H, 2C4H, 344H, 3C4H: E1 TRAN INTERRUPT ENABLE REGISTER.....	167
REGISTERS 045H, 0C5H, 145H, 1C5H, 245H, 2C5H, 345H, 3C5H: E1 TRAN INTERRUPT STATUS REGISTER	168
REGISTERS 046H, 0C6H, 146H, 1C6H, 246H, 2C6H, 346H, 3C6H: E1 TRAN NATIONAL BIT CODEWORD SELECT	169
REGISTERS 047H, 0C7H, 147H, 1C7H, 247H, 2C7H, 347H, 3C7H: E1 TRAN NATIONAL BIT CODEWORD.....	171
REGISTERS 048H, 0C8H, 148H, 1C8H, 248H, 2C8H, 348H, 3C8H: RDLC #1, #2, #3 CONFIGURATION.....	172
REGISTERS 049H, 0C9H, 149H, 1C9H, 249H, 2C9H, 349H, 3C9H: RDLC #1, #2, #3 INTERRUPT CONTROL.....	174
REGISTERS 04AH, 0CAH, 14AH, 1CAH, 24AH, 2CAH, 34AH, 3CAH: RDLC#1, #2, #3 STATUS.....	175
REGISTERS 04BH, 0CBH, 14BH, 1CBH, 24BH, 2CBH, 34BH, 3CBH: RDLC #1, #2, #3 DATA	178
REGISTERS 04CH, 0CCH, 14CH, 1CCH, 24CH, 2CCH, 34CH, 3CCH: RDLC #1, #2, #3 PRIMARY ADDRESS MATCH.....	179
REGISTERS 04DH, 0CDH, 14DH, 1CDH, 24DH, 2CDH, 34DH, 3CDH: RDLC #1, #2, #3 SECONDARY ADDRESS MATCH.....	180

REGISTER 050H, 0D0H, 150H, 1D0H, 250H, 2D0H ,350H, 3D0H: TDPR #1, #2, #3 CONFIGURATION..... 181

REGISTER 051H, 0D1H, 151H, 1D1H, 251H, 2D1H ,351H, 3D1H: TDPR #1, #2, #3 UPPER TRANSMIT THRESHOLD 183

REGISTER 052H, 0D2H, 152H, 1D2H, 252H, 2D2H ,352H, 3D2H: TDPR #1, #2, #3 LOWER INTERRUPT THRESHOLD 184

REGISTER 053H, 0D3H, 153H, 1D3H, 253H, 2D3H ,353H, 3D3H: TDPR #1, #2, #3 INTERRUPT ENABLE 185

REGISTER 054H, 0D4H, 154H, 1D4H, 254H, 2D4H ,354H, 3D4H: TDPR #1, #2, #3 INTERRUPT STATUS/UDR CLEAR..... 187

REGISTER 055H, 0D5H, 155H, 1D5H, 255H, 2D5H ,355H, 3D5H: TDPR #1, #2, #3 TRANSMIT DATA 189

REGISTERS 058H, 0D8H, 158H, 1D8H, 258H, 2D8H, 358H, 3D8H: ELST CONFIGURATION..... 190

REGISTERS 059H, 0D9H, 159H, 1D9H, 259H, 2D9H, 359H, 3D9H: ELST INTERRUPT ENABLE/STATUS 191

REGISTERS 05AH, 0DAH, 15AH, 1DAH, 25AH, 2DAH, 35AH, 3DAH: ELST IDLE CODE 192

REGISTER 05CH, 0DCH, 15CH, 1DCH, 25CH, 2DCH ,35CH, 3DCH: RPSC CONFIGURATION..... 193

REGISTER 05DH, 0DDH, 15DH, 1DDH, 25DH, 2DDH ,35DH, 3DDH: RPSC μ P ACCESS STATUS 194

REGISTER 05EH, 0DEH, 15EH, 1DEH, 25EH, 2DEH ,35EH, 3DEH: RPSC CHANNEL INDIRECT ADDRESS/CONTROL 195

REGISTER 05FH, 0DFH, 15FH, 1DFH, 25FH, 2DFH ,35FH, 3DAH: RPSC CHANNEL INDIRECT DATA BUFFER..... 196

REGISTER 060H, 0E0H, 160H, 1E0H, 260H, 2E0H ,360H, 3E0H: TPSC CONFIGURATION..... 203

REGISTER 061H, 0E1H, 161H, 1E1H, 261H, 2E1H ,361H, 3E1H: TPSC μ P ACCESS STATUS 204

REGISTER 062H, 0E2H, 162H, 1E2H, 262H, 2E2H ,362H, 3E2H: TPSC
CHANNEL INDIRECT ADDRESS/CONTROL 205

REGISTER 063H, 0E3H, 163H, 1E3H, 263H, 2E3H ,363H, 3E3H: TPSC
CHANNEL INDIRECT DATA BUFFER..... 206

REGISTER 064H, 0E4H, 164H, 1E4H, 264H, 2E4H ,364H, 3E4H: SIGX
CONFIGURATION REGISTER (COSS = 0) 213

REGISTER 064H, 0E4H, 164H, 1E4H, 264H, 2E4H ,364H, 3E4H: SIGX
CHANGE OF SIGNALING STATE REGISTER (COSS = 1) 215

REGISTER 065H, 0E5H, 165H, 1E5H, 265H, 2E5H ,365H, 3E5H: SIGX
TIMESLOT INDIRECT STATUS (COSS = 0)..... 216

REGISTER 065H, 0E5H, 165H, 1E5H, 265H, 2E5H ,365H, 3E5H: SIGX
CHANGE OF SIGNALING STATE CHANGE (COSS=1) 217

REGISTER 066H, 0E6H, 166H, 1E6H, 266H, 2E6H ,366H, 3E6H: SIGX
TIMESLOT INDIRECT ADDRESS/CONTROL (COSS = 0)..... 218

REGISTER 066H, 0E6H, 166H, 1E6H, 266H, 2E6H ,366H, 3E6H: SIGX
CHANGE OF SIGNALING STATE REGISTER (COSS = 1) 219

REGISTER 067H, 0E7H, 167H, 1E7H, 267H, 2E7H ,367H, 3E7H: SIGX
TIMESLOT INDIRECT DATA BUFFER (COSS = 0) 220

REGISTER 067H, 0E7H, 167H, 1E7H, 267H, 2E7H ,367H, 3E7H: SIGX
CHANGE OF SIGNALING STATE (COSS = 1) 221

SIGX INDIRECT REGISTERS 32 (20H)- 63 (3FH): SIGX TIMESLOT/CHANNEL
SIGNALING DATA REGISTERS..... 223

SIGX INDIRECT REGISTERS 64 (40H) - 95 (5FH): SIGX PER-TIMESLOT
CONFIGURATION REGISTER..... 224

REGISTER 068H, 0E8H, 168H, 1E8H, 268H, 2E8H ,368H, 3E8H: PMON
INTERRUPT ENABLE/STATUS 226

REGISTER 068H, 0E8H, 168H, 1E8H, 268H, 2E8H ,368H, 3E8H: FRAMING BIT
ERROR COUNT 228

REGISTER 06AH, 0EAH, 16AH, 1EAH, 26AH, 2EAH ,36AH, 3EAH: FAR END
BLOCK ERROR COUNT LSB 229

REGISTER 06BH, 0EBH, 16BH, 1EBH, 26BH, 2EBH ,36BH, 3EBH: FAR END
BLOCK ERROR COUNT MSB 229

REGISTER 06CH, 0ECH, 16CH, 1ECH, 26CH, 2ECH ,36CH, 3ECH: CRC
ERROR COUNT LSB 230

REGISTER 06DH, 0EDH, 16DH, 1EDH, 26DH, 2EDH ,36DH, 3EDH: CRC
ERROR COUNT MSB 230

REGISTER 070H, 0F0H, 170H, 1F0H, 270H, 2F0H ,370H, 3F0H: PRGD
CONTROL 231

REGISTER 071H, 0F1H, 171H, 1F1H, 271H, 2F1H ,371H, 3F1H: PRGD
INTERRUPT ENABLE/STATUS 233

REGISTER 072H, 0F2H, 172H, 1F2H, 272H, 2F2H ,372H, 3F2H: PRGD SHIFT
REGISTER LENGTH..... 235

REGISTER 073H, 0F3H, 173H, 1F3H, 273H, 2F3H ,373H, 3F3H: PRGD TAP
236

REGISTER 074H, 0F4H, 174H, 1F4H, 274H, 2F4H ,374H, 3F4H: PRGD
ERROR INSERTION 237

REGISTER 078H, 0F8H, 178H, 1F8H, 278H, 2F8H ,378H, 3F8H: PRGD
PATTERN INSERTION #1 238

REGISTER 079H, 0F9H, 179H, 1F9H, 279H, 2F9H ,379H, 3F0H: PRGD
PATTERN INSERTION #2..... 238

REGISTER 07AH, 0FAH, 17AH, 1FAH, 27AH, 2FAH ,37AH, 3FAH: PRGD
PATTERN INSERTION #3..... 239

REGISTER 07BH, 0FBH, 17BH, 1FBH, 27BH, 2FBH ,37BH, 3FBH: PRGD
PATTERN INSERTION #4..... 239

REGISTER 07CH, 0FCH, 17CH, 1FCH, 27CH, 2FCH ,37CH, 3FCH: PRGD
PATTERN DETECTOR #1..... 241

REGISTER 07DH, 0FDH, 17DH, 1FDH, 27DH, 2FDH ,37DH, 3FDH: PRGD
PATTERN DETECTOR #2..... 241

REGISTER 07EH, 0FEH, 17EH, 1FEH, 27EH, 2FEH ,37EH, 3FEH: PRGD
PATTERN DETECTOR #3..... 242

REGISTER 07FH, 0FFH, 17FH, 1FFH, 27FH, 2FFH ,37FH, 3F0H: PRGD PATTERN DETECTOR #4.....	242
REGISTER 008H: EOCTL MASTER TEST.....	245

LIST OF FIGURES

FIGURE 1 - HIGH DENSITY CHANNELIZED PORT CARD APPLICATION... 7

FIGURE 2 - E1-FRMR FRAMING ALGORITHM 27

FIGURE 3 - DJAT JITTER TOLERANCE 38

FIGURE 4 - DJAT MINIMUM JITTER TOLERANCE VS. XCLK ACCURACY 39

FIGURE 5 - DJAT JITTER TRANSFER..... 39

FIGURE 6 - CLOCK MASTER: FULL E1. 40

FIGURE 7 - CLOCK MASTER: NXTS..... 41

FIGURE 8 - CLOCK SLAVE: ICLK REFERENCE..... 41

FIGURE 9 - CLOCK SLAVE: EXTERNAL SIGNALING 42

FIGURE 10 - INGRESS MULTIPLEXED BUS OPERATION..... 42

FIGURE 11 - CLOCK MASTER: FULL E1 43

FIGURE 12 - CLOCK MASTER: NXTS..... 44

FIGURE 13 - CLOCK SLAVE: EFP ENABLED. 44

FIGURE 14 - CLOCK SLAVE: EXTERNAL SIGNALING 45

FIGURE 15 - EGRESS MULTIPLEXED BUS OPERATION..... 45

FIGURE 16 - TRANSMIT TIMING OPTIONS..... 68

FIGURE 17 - INPUT OBSERVATION CELL (IN_CELL)..... 252

FIGURE 18 - OUTPUT CELL (OUT_CELL) 253

FIGURE 19 - BIDIRECTIONAL CELL (IO_CELL) 253

FIGURE 20 - LAYOUT OF OUTPUT ENABLE AND BIDIRECTIONAL CELLS
254

FIGURE 21 - TYPICAL DATA FRAME 273

FIGURE 22 - EXAMPLE MULTI-PACKET OPERATIONAL SEQUENCE..... 274

FIGURE 23 - PRGD PATTERN GENERATOR.....	277
FIGURE 24 - LINE LOOPBACK.....	280
FIGURE 25 - DIAGNOSTIC DIGITAL LOOPBACK.....	281
FIGURE 26 - PER-TS LOOPBACK.....	282
FIGURE 27 - FER COUNT VS. BER.....	287
FIGURE 28 - CRCE COUNT VS. BER.....	288
FIGURE 29 - BOUNDARY SCAN ARCHITECTURE.....	289
FIGURE 30 - TAP CONTROLLER FINITE STATE MACHINE.....	291
FIGURE 31 - INGRESS INTERFACE CLOCK MASTER : FULL E1 MODE .	294
FIGURE 32 - EGRESS INTERFACE CLOCK MASTER : FULL E1 MODE...	294
FIGURE 33 - INGRESS INTERFACE CLOCK MASTER : NXTS MODE	295
FIGURE 34 - EGRESS INTERFACE CLOCK MASTER : NXTS MODE	295
FIGURE 35 - INGRESS INTERFACE CLOCK SLAVE MODES.....	296
FIGURE 36 - EGRESS INTERFACE CLOCK SLAVE : EFP ENABLED MODE 296	
FIGURE 37 - EGRESS INTERFACE CLOCK SLAVE : EXTERNAL SIGNALING MODE 297	
FIGURE 38 - NON-MULTIPLEXED TRANSMIT BACKPLANE AT 2.048/4.096 MHZ 297	
FIGURE 39 - MULTIPLEXED TRANSMIT BACKPLANE AT 8.192 AND 16.384 MHZ 298	
FIGURE 40 - TRANSMIT CONCENTRATION HIGHWAY INTERFACE.....	298
FIGURE 41 - SERIAL TELECOM BUS (ST-BUS), EXAMPLE 1	299
FIGURE 42 - SERIAL TELECOM BUS (ST-BUS), EXAMPLE 2	299
FIGURE 43 - NON-MULTIPLEXED RECEIVE BACKPLANE AT 2.048/4.096 MHZ 300	

FIGURE 44 - MULTIPLEXED RECEIVE BACKPLANE AT 8.192 AND 16.384 MHZ	300
FIGURE 45 - RECEIVE CONCENTRATION HIGHWAY INTERFACE	301
FIGURE 46 - MICROPROCESSOR READ ACCESS TIMING	306
FIGURE 47 - MICROPROCESSOR WRITE ACCESS TIMING	308
FIGURE 48 - HIGH SPEED CLOCK TIMING.....	310
FIGURE 49 - EGRESS INTERFACE TIMING - CLOCK SLAVE: EFP ENABLED MODE	311
FIGURE 50 - EGRESS INTERFACE TIMING - CLOCK SLAVE: EXTERNAL SIGNALING MODE	312
FIGURE 51 - EGRESS INTERFACE TIMING - CLOCK MASTER: FULL E1 MODE	313
FIGURE 52 - EGRESS INTERFACE INPUT TIMING - CLOCK MASTER : NXTS MODE	313
FIGURE 53 - INGRESS INTERFACE TIMING - CLOCK SLAVE MODES ...	314
FIGURE 54 - INGRESS INTERFACE TIMING - CLOCK MASTER MODES	315
FIGURE 55 - TRANSMIT LINE INTERFACE TIMING	316
FIGURE 56 - RECEIVE LINE INTERFACE INPUT TIMING.....	317
FIGURE 57 - MULTIPLEXED INGRESS INTERFACE TIMING	318
FIGURE 58 - MULTIPLEXED EGRESS INTERFACE TIMING	319
FIGURE 59 - JTAG PORT INTERFACE TIMING	320
FIGURE 60 - 128 PIN COPPER LEADFRAME PLASTIC QUAD FLAT PACK (R SUFFIX)	323

LIST OF TABLES

TABLE 1 - E1-FRMR CRC FRAME FIND STATE MACHINE OUTPUTS ... 28

TABLE 2 - REGISTER MEMORY MAP..... 46

TABLE 3 - TRANSMIT LINE CLOCK OPTIONS 64

TABLE 4 - RECEIVE DATALINK CONTROLLER SELECTION..... 76

TABLE 5 - TRANSMIT DATALINK CONTROLLER SELECTION..... 77

TABLE 6 - TXTS[1:0] BACKPLANE RECEIVE OPERATION 85

TABLE 7 - RATE[1:0] BACKPLANE RECEIVE OPERATION 86

TABLE 8 - IFP[X] BACKPLANE RECEIVE CONFIGURATION..... 89

TABLE 9 - RECEIVE BACKPLANE BIT OFFSET FOR FP MASTER..... 96

TABLE 10 - RECEIVE BACKPLANE BIT OFFSET FOR FP SLAVE 96

TABLE 11 - TRANSMIT BACKPLANE NXTS MODE SELECTION 97

TABLE 12 - TRANSMIT BACKPLANE RATE..... 99

TABLE 13 - TRANSMIT BACKPLANE BIT OFFSET FOR CMS = 0..... 105

TABLE 14 - TRANSMIT BACKPLANE BIT OFFSET FOR CMS = 1..... 105

TABLE 15 - TIMESLOT 0 BIT POSITION ALLOCATION..... 146

TABLE 16 - TS0 NFAS BITS..... 147

TABLE 17 - TIMESLOT 16, FRAME 0 BIT POSITION ALLOCATION 150

TABLE 18 - NATIONAL BIT CODEWARD SELECTION..... 151

TABLE 19 - E1 SIGNALING INSERTION MODE..... 159

TABLE 20 - E1 TIMESLOT 0 INSERTION CONTROL SUMMARY (INDIS =
FDIS = 0) 161

TABLE 21 - NATIONAL BIT CODEWARD SELECTION..... 170

TABLE 22 - RECEIVE PACKET BYTE STATUS..... 176

TABLE 23	- RPSC INDIRECT REGISTER MAP	196
TABLE 24	- RECEIVE TEST PATTERN MODES	199
TABLE 25	- RPSC INDIRECT REGISTERS 40-5FH: DATA TRUNK CONDITIONING CODE BYTE.....	201
TABLE 26	- RPSC INDIRECT REGISTERS 61-7FH: SIGNALING TRUNK CONDITIONING BYTE	202
TABLE 27	- TPSC INDIRECT REGISTER MAP	207
TABLE 28	- TPSC INDIRECT REGISTERS 20-3FH: TIMESLOT CONTROL BYTE 208	
TABLE 29	- TRANSMIT TEST PATTERN MODES.....	209
TABLE 30	- TPSC INDIRECT REGISTERS 40-5FH: IDLE CODE BYTE ...	210
TABLE 31	- TPSC INDIRECT REGISTERS 60-7FH: SIGNALING/PCM CONTROL BYTE	211
TABLE 32	- TRANSMIT PER-TIMESLOT DATA MANIPULATION	211
TABLE 33	- A-LAW DIGITAL MILLIWATT PATTERN.....	212
TABLE 34	- μ -LAW DIGITAL MILLIWATT PATTERN.....	212
TABLE 35	- SIGX INDIRECT REGISTER MAP	221
TABLE 36	- RINV[1:0] EFFECT ON TIMESLOT DATA BITS	224
TABLE 37	- PATTERN DETECTOR REGISTER CONFIGURATIONS	231
TABLE 38	- ERROR INSERTION RATES.....	237
TABLE 39	- TEST MODE 0 INPUT SIGNAL WRITE ADDRESSES.....	247
TABLE 40	- TEST MODE 0 OUTPUT SIGNAL READ ADDRESSES	248
TABLE 41	- INSTRUCTION REGISTER.....	250
TABLE 42	- IDENTIFICATION REGISTER	250
TABLE 43	- BOUNDARY SCAN REGISTER	251
TABLE 44	- PSEUDO-RANDOM PATTERN GENERATION (PS BIT = 0)..	277

TABLE 45	- REPETITIVE PATTERN GENERATION (PS BIT = 1)	278
TABLE 46	- PMON COUNTER SATURATION LIMITS	286
TABLE 47	- EOCTL ABSOLUTE MAXIMUM RATINGS	302
TABLE 48	- EOCTL D.C. CHARACTERISTICS	303

1 FEATURES

- Integrates eight E1 framers in a single device for terminating duplex E1 signals.
- Supports transfer of PCM data to/from 2.048 MHz system-side devices. Also supports a fractional E1 system interface with independent ingress/egress fractional E1 rates.
- Provides an optional backplane interface which is compatible with Mitel ST[®]-bus, AT&T CHI[®] and MVIP PCM backplanes, supporting data rates of 2.048 Mbit/s and 8.192 Mbit/s. Up to four links may be byte interleaved on each interface bus with no external circuitry.
- Extracts/inserts up to three HDLC links from/to arbitrary time slots to support the D-channel for ISDN Primary Rate Interfaces and the C-channels for V5.1/V5.2 interfaces as per ITU-T G.964, ITU-T G.965, ETS 300-324-1, and ETS 300-347-1.
- Provides jitter attenuation in the receive and transmit directions.
- Provides per-channel payload loopback and per link diagnostic and line loopbacks.
- Provides an integral pattern generator/detector that may be programmed to generate and detect common pseudo-random (as recommended in ITU-T O.151) or repetitive sequences. The programmed sequence may be inserted/detected in the entire E1 frame, or on a fractional E1 basis, in both the ingress and egress directions. Each framer possesses its own independent pattern generator/detector, and each detector counts pattern errors using a 32-bit saturating error counter.
- Provides signaling extraction and insertion on a per-channel basis.
- Software compatible with the PM6341 E1XC Single E1 Transceiver, the PM6344 EQUAD Quad E1 Framer, the PM4388 TOCTL Octal T1 Framer, and PM4351 COMET Combined E1/T1 Transceiver.
- Seamless interface to the PM4314 QDSX Quad Line Interface.
- Provides a IEEE P1149.1 (JTAG) compliant test access port (TAP) and controller for boundary scan test.

- Provides an 8-bit microprocessor bus interface for configuration, control, and status monitoring.
- Low power 3.3V CMOS technology with 5V tolerant inputs.
- Available in a 128 pin PQFP (14 mm by 20 mm) package.
- Provides a -40°C to +85°C Industrial temperature operating range.

Each one of eight receiver sections:

- Frames to ITU-T G.704 basic and CRC-4 multiframe formatted E1 signals. The framing procedures are consistent with ITU-T G.706 specifications.
- Red, and AIS alarm detection and integration are done according to ITU-T Q.431 specifications.
- Provides performance monitoring counters sufficiently large as to allow performance monitor counter polling at a minimum rate of once per second. Optionally, updates the performance monitoring counters and interrupts the microprocessor once per second, timed to the receive line. Accumulators are provided for counting CRC-4 errors, framing bit errors and loss of frame or change of frame alignment events.
- Provides an optional elastic store for backplane rate adaptation. It may be used to time the ingress streams to a common clock and frame alignment, or to facilitate per-channel loopbacks.
- Provides a digital phase locked loop to reduce jitter on the receive clock.
- Supports polled or interrupt-driven servicing of the HDLC interface.
- Optionally extracts a datalink in the E1 national use bits.
- Extracts up to three HDLC links from arbitrary time slots to support the D-channel for ISDN Primary Rate Interfaces and the C-channels for V5.1/V5.2 interfaces.
- Frames to the E1 signaling multiframe alignment when enabled and extracts channel associated signaling. Alternatively, a common channel signaling data link may be extracted from timeslot 16.
- Can be programmed to generate an interrupt on change of signaling state.

- Provides trunk conditioning which forces programmable idle code substitution and signaling conditioning on all channels or on selected channels.
- Provides diagnostic, line loopbacks and per-channel line loopback.
- Provides programmable idle code substitution, data inversion, and A-Law or μ -Law digital milliwatt code insertion on a per-channel basis.
- Each one of eight transmitter sections:
- Transmits G.704 basic and CRC-4 multiframe formatted E1 signals.
- Supports unframed mode and framing bit, CRC, or data link by-pass.
- May be timed to its associated receive clock (loop timing) or may derive its timing from a common egress clock or a common transmit clock; the transmit line clock may be synthesized from an $N*8\text{kHz}$ reference.
- Provides a 128 byte buffer to allow insertion of the facility data link using the host interface.
- Optionally inserts a datalink in the E1 national use bits.
- Inserts up to three HDLC links into arbitrary time slots to support the D-channel for ISDN Primary Rate Interfaces and the C-channels for V5.1/V5.2 interfaces.
- Provides a digital phase locked loop for generation of a low jitter transmit clock.
- Provides programmable idle code substitution, data inversion, signaling insertion, and A-Law or μ -Law digital milliwatt code insertion on a per-channel basis.

2 APPLICATIONS

- High density Internet E1 interfaces for multiplexers, switches, routers and digital modems.
- Frame Relay switches and access devices (FRADS)
- SONET/SDH Add Drop Multiplexers
- Digital Private Branch Exchanges (PBX)
- E1 Channel Service Units (CSU) and Data Service Units (DSU)
- E1 Channel Banks and Multiplexers
- Digital Access and Cross-Connect Systems (DACS)

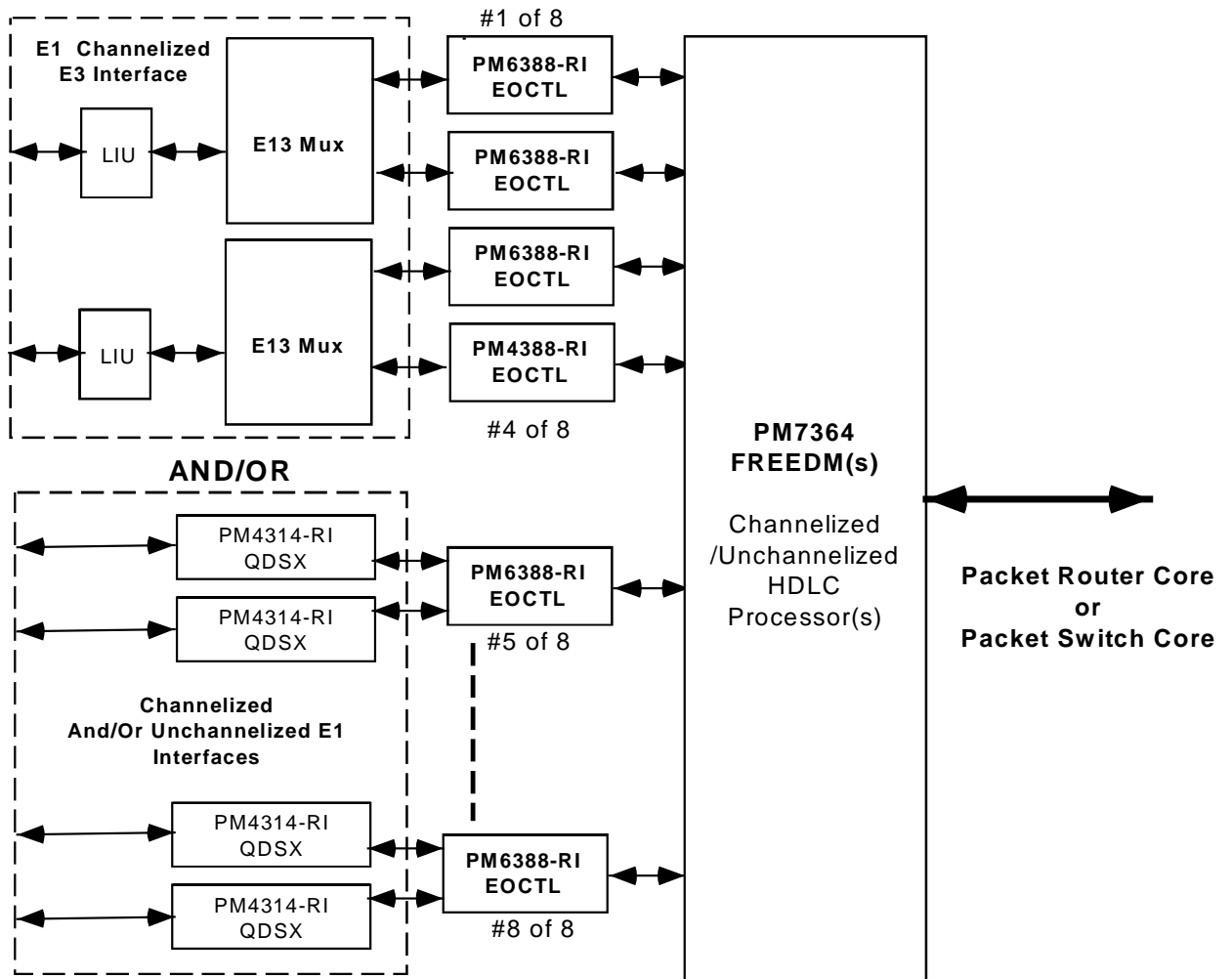
3 REFERENCES

1. AT&T - Interface Specification - Concentration Highway Interface - November, 1990.
2. ETSI - ETS 300 011 - ISDN Primary Rate User-Network Interface Specification and Test Principles, 1992.
3. ETSI - ETS 300 233 - Access Digital Section for ISDN Primary Rates
4. ETSI – ETS 324-1 – Signaling Protocols and Switching (SPS); V interfaces at the digital Local Exchange (LE); V5.1 interface for the support of Access Network (AN); Part 1: V5.1 interface specification, Nov. 1995.
5. ETSI – ETS 347-1 – Signaling Protocols and Switching (SPS); V interfaces at the digital Local Exchange (LE) V5.2 interface for the support of Access Network (AN) Part 1: V5.2 interface specification, Sept. 1994.
6. ETSI - TBR 4 - Integrated Services Digital Network (ISDN); Attachment requirements for terminal equipment to connect to an ISDN using ISDN primary rate access, November 1995.
7. ETSI - TBR 12 - Business Telecommunications (BT); Open Network Provision (ONP) technical requirements; 2 048 kbit/s digital unstructured leased lines (D2048U) Attachment requirements for terminal equipment interface, December 1993.
8. ETSI - TBR 13 - Business Telecommunications (BTC); 2 048 kbit/s digital structured leased lines (D2048S); Attachment requirements for terminal equipment interface, January 1996.
9. ITU-T - Recommendation G.704 - Synchronous Frame Structures Used at Primary Hierarchical Levels, July 1995.
10. ITU-T - Recommendation G.706 - Frame Alignment and CRC Procedures Relating to G.704 Frame Structures.
11. ITU-T Recommendation G.823, - The Control of Jitter and Wander Within Digital Networks Which are Based on the 2048 kbit/s Hierarchy, 1993.
12. ITU-T Recommendation G.964, - V-Interfaces at the Digital Local Exchange (LE) - V5.1 Interface (Based on 2048kbit/s) for the Support of Access Network (AN), June 1994.

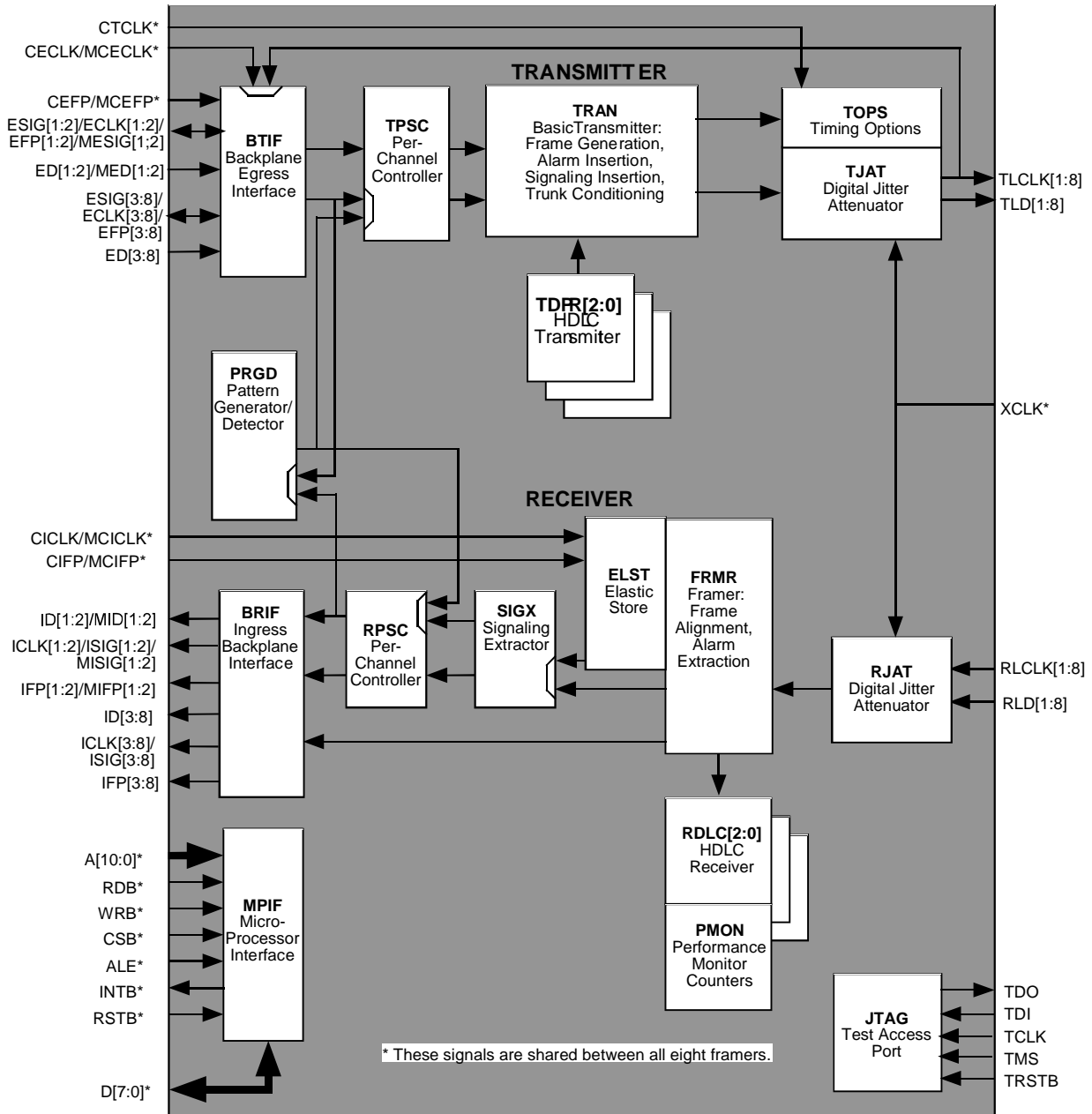
13. ITU-T Recommendation G.965, - V-Interfaces at the Digital Local Exchange (LE) - V5.2 Interface (Based on 2048kbit/s) for the Support of Access Network (AN), March 1995.
14. ITU-T - Recommendation I.431 - Primary Rate User-Network Interface – Layer 1 Specification, 1993.
15. ITU-T Recommendation O.151, - Error Performance Measuring Equipment For Digital Systems at the Primary Bit Rate and Above, 1988.
16. ITU-T Recommendation O.152 - Error Performance Measuring Equipment for Bit Rates of 64 kbit/s and N X 64 kbit/s, October 1992
17. ITU-T Recommendation O.153 - Basic Parameters for the Measurement of Error Performance at Bit Rates below the Primary Rate, October 1992
18. GO-MVIP - Multi-Vendor Integration Protocol, MVIP-90 Release 1.1, 1994.

4 APPLICATION EXAMPLES

Figure 1 - High Density Channelized Port Card Application



5 BLOCK DIAGRAM



6 DESCRIPTION

The PM6388 Octal E1 Framer (EOCTL) is a feature-rich device for use in systems carrying data (frame relay, Point to Point Protocol, or other protocols) or voice over E1 facilities. Each of the framers and transmitters is independently software configurable, allowing feature selection without changes to external wiring.

On the receive side, each of eight independent framers can be configured to frame to a basic G.704 2048 kbit/s signal as well as finding the signaling multiframe alignment signal and the CRC multiframe alignment. Framing can also be bypassed (unframed mode). The EOCTL detects and indicates the presence various alarm conditions such as loss of frame-alignment, loss of signaling multiframe alignment, loss of CRC multiframe alignment, reception of remote alarm indication signals, remote multiframe alarm signals, alarm indication signal (AIS), and timeslot 16 alarm indication signal. The EOCTL integrates red and IS alarms as per industry specifications. Performance monitoring with accumulation of CRC-4 errors, far-end block errors, framing bit errors, and out-of-frame events is provided.

The EOCTL also detects and terminates HDLC messages on TS16, the Sa National bits, and/or on any arbitrary timeslot. Each HDLC link is terminated in a 128 byte FIFO.

An elastic store that optionally supports slip buffering and adaptation to backplane timing is provided, as is a signaling extractor that supports signaling debounce, signaling freezing and interrupt on signaling state change on a per-channel basis. The EOCTL also supports idle code substitution and detection, digital milliwatt code insertion, data extraction, trunk conditioning, data inversion, and pattern generation or detection on a per-channel basis.

On the transmit side, the EOCTL generates framing for a G.704 2048 kbit/s E1 signal. Framing can be optionally disabled. The signaling multiframe alignment structure and the CRC multiframe structure may be optionally inserted. The EOCTL supports signaling insertion, idle code substitution, data insertion, line loopback, data inversion, and test pattern generation or detection on a per-channel basis.

Up to 3 HDLC links can be supported by the each octant of the EOCTL. Datalink messages can be transmitted on TS16, the Sa National bits, and on an arbitrary channel timeslot at the same time. The datalink messages may also be configured to operate on 3 arbitrary channel timeslots.

The EOCTL can generate a low jitter transmit clock from a variety of clock references, and also provides jitter attenuation in the receive path.

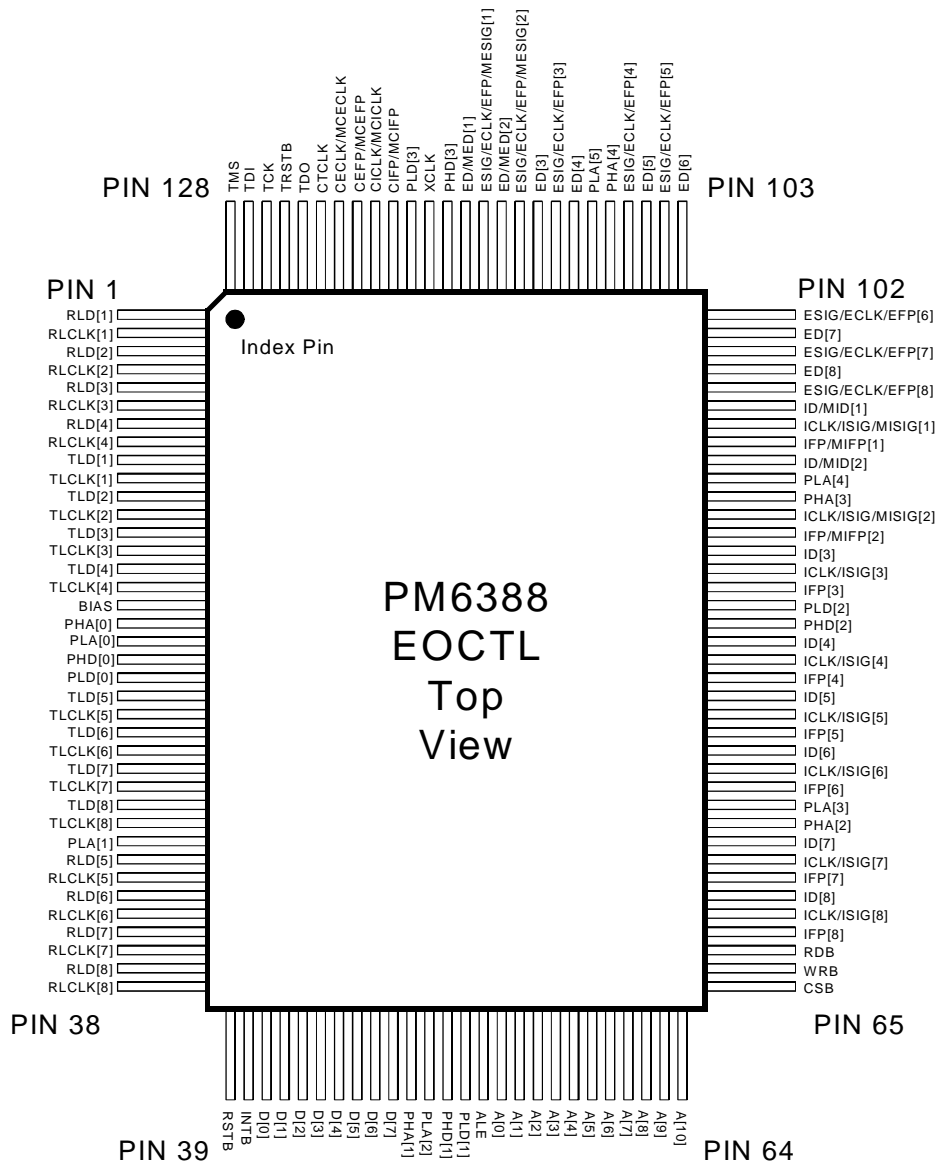
The EOCTL provides a parallel microprocessor interface for controlling the operation of the EOCTL device. Serial PCM interfaces allow 2048 kbit/s ingress/egress system interfaces to be directly supported.

The EOCTL also supports an alternate backplane interface where up to 4 links can be byte-multiplexed onto one of two 8.192 Mbit/s buses. A link can be placed on either bus. Slots which are not occupied by a link from the EOCTL device can be used by other devices attached to the bus. This bus protocol is consistent with that defined in the Mitel ST[®], AT&T CHI[®] and MVIP PCM standards.

It should be noted that the EOCTL device operates on unipolar data only: HDB3 encoding and line code violation monitoring, if required, must be processed by the E1 LIU.

7 PIN DIAGRAM

The EOCTL is packaged in a 128-pin plastic QFP package having a body size of 14mm by 20mm and a pin pitch of 0.5 mm.



8 PIN DESCRIPTION

Pin Name	Type	Pin No.	Function
RLD[1] RLD[2] RLD[3] RLD[4] RLD[5] RLD[6] RLD[7] RLD[8]	Input	1 3 5 7 31 33 35 37	Receive Line Data (RLD[1:8]). RLD[1:8] contain the receive stream from each of the eight E1 line interface units, or from a higher order demultiplex interface. These inputs are sampled on the active edge of the corresponding RLCLK[1:8].
RLCLK[1] RLCLK[2] RLCLK[3] RLCLK[4] RLCLK[5] RLCLK[6] RLCLK[7] RLCLK[8]	Input	2 4 6 8 32 34 36 38	Receive Line Clocks (RLCLK[1:8]). Each input is an externally recovered 2.048 MHz line clock that samples the RLD[x] inputs on its active edge. RLCLK[x] may be a gapped clock subject to the timing constraints in the AC Timing section of this datasheet.

<p>ICLK[1] ICLK[2] ICLK[3] ICLK[4] ICLK[5] ICLK[6] ICLK[7] ICLK[8]/</p>	<p>Output</p>	<p>96 91 88 83 80 77 72 69</p>	<p>Ingress Clocks (ICLK[1:8]). The Ingress Clocks are active when the external signaling interface is disabled. Each ingress clock is a smoothed (jitter attenuated) version of the associated receive line clock (RLCLK[x]). When the Clock Master: NxTS mode is active, ICLK[x] is a gapped version of the smoothed RLCLK[x]. When Clock Slave: ICLK Reference mode is active, ICLK[x] may optionally be the smoothed RLCLK[x], or the smoothed RLCLK[x] divided by 256. When Clock Master: Full E1 mode is active, IFP[x] and ID[x] are updated on the active edge of ICLK[x]. When the Clock Master: NxTS mode is active, ID[x] is updated on the active edge of ICLK[x].</p>
<p>ISIG[1] ISIG[2] ISIG[3] ISIG[4] ISIG[5] ISIG[6] ISIG[7] ISIG[8]</p>			<p>Ingress Signaling (ISIG[1:8]). When the Clock Slave: External Signaling mode is enabled, each ISIG[x] contains the extracted signaling bits for each channel in the frame, repeated for the entire signaling multiframe. Each channel's signaling bits are valid in bit locations 5,6,7,8 of the channel and are channel-aligned with the ID[x] data stream. ISIG[x] is updated on the active edge of the common ingress clock, CICKL</p>
<p>MISIG[1] MISIG[2]</p>		<p>96 91</p>	<p>Multiplexed Ingress Signaling (MISIG[1:2]): When the Multiplexed bus structure is enabled, MISIG[1:2] carry the signaling data for the selected links. MISIG[1:2] are updated on the active edge of MCICKL.</p>

<p>IFP[1] IFP[2] IFP[3] IFP[4] IFP[5] IFP[6] IFP[7] IFP[8]</p>	<p>Output</p>	<p>95 90 87 82 79 76 71 68</p>	<p>Ingress Frame Pulse (IFP[1:8]). The IFP[x] outputs are intended as timing references.</p> <p>IFP[x] indicates the frame alignment or, optionally, the signaling multiframe and/or the CRC multiframe alignment of the ingress stream, ID[x]. When configured for simple frame alignment, IFP[x] will pulse high on the first bit of the each frame aligned to ID[x]. When configured to indicate signaling multiframe, IFP[x] will pulse high during the first bit of the first frame of the signaling multiframe. When configured to indicate CRC multiframe, IFP[x] will pulse high during the first bit of the first frame of the CRC multiframe. When configured to indicate both the signaling and CRC multiframe, IFP[x] will go high on the first bit of the first frame of the signaling multiframe and low after the first bit of the first frame of the CRC multiframe. Alternatively, IFP[x] can be configured as a reference frame pulse which will indicate the first bit of the E1 frame irrespective of bit or timeslot offset.</p> <p>When the Clock Master ingress modes are active, IFP[x] is updated on the active edge of the associated ICLK[x]. When the Clock Slave ingress modes are active, IFP[x] is updated on the active edge of CICK.</p>
<p>MIFP[1:2]</p>		<p>95 90</p>	<p>Multiplexed Ingress Frame Pulse (MIFP[1:2]). When configured for the Multiplexed bus structure, MIFP[1:2] will show the frame alignment of the data given on the MID[1:2] multiplexed data stream. The frame alignment signal for each link can behave the same as IFP[x], or either MIFP can be configured as a reference frame pulse indicating bit 1 of the Multiplexed frame.</p> <p>MIFP[1:2] are updated on the active edge of MCICK.</p>

<p>ID[1] ID[2] ID[3] ID[4] ID[5] ID[6] ID[7] ID[8]</p> <p>MID[1] MID[2]</p>	<p>Output</p>	<p>97 94 89 84 81 78 73 70</p> <p>97 94</p>	<p>Ingress Data (ID[1:8]). Each ID[x] signal contains the recovered data stream which may have been passed through the elastic store.</p> <p>When the Clock Slave ingress modes are active, the ID[x] stream is aligned to the common ingress timing and is updated on the active edge of CICKLK.</p> <p>When the Clock Master ingress modes are active, ID[x] is aligned to the receive line timing and is updated on the active edge of the associated ICLK[x].</p> <p>Multiplexed Ingress Data (MID[1:2]). When configured for the Multiplexed bus structure, MID[1:2] contain the ingress data streams configured to be on the two buses. MID[1:2] are updated on the active edge of MCICKLK.</p>
<p>CICKLK</p> <p>MCICKLK</p>	<p>Input</p>	<p>120</p>	<p>Common Ingress Clock (CICKLK). CICKLK is a 2.048MHz clock with optional gapping for adaptation to non-uniform backplane data streams. CICKLK is common to all eight framers. CIFP is sampled on the active edge of CICKLK. When the Clock Slave ingress modes are active, ID[x], ISIG[x], and IFP[x] are updated on the active edge of CICKLK.</p> <p>Multiplexed Common Ingress Clock (MCICKLK). When configured for the Multiplexed bus structure, MCICKLK drives the ingress multiplexed bus. MCICKLK is a 8.192 Mhz or 16.384 MHz clock.</p>

ESIG[1] ESIG[2] ESIG[3] ESIG[4] ESIG[5] ESIG[6] ESIG[7] ESIG[8]	I/O	114 112 110 106 104 102 100 98	Egress Signaling (ESIG[1:8]). When the Clock Slave: External Signaling mode is active, the ESIG[8:1] inputs contain the signaling bits for each channel in the transmit data frame, repeated for the entire signaling multiframe. Each channel's signaling bits are in bit locations 5,6,7,8 of the channel and are frame-aligned by the common egress frame pulse, CEFP. ESIG[x] is sampled on the active edge of CECLK.
EFP[1] EFP[2] EFP[3] EFP[4] EFP[5] EFP[6] EFP[7] EFP[8]/			Egress Frame Pulse (EFP[1:8]). When the Clock Master: Full E1 or Clock Slave: EFP Enabled modes are active, the EFP[1:8] outputs indicate the frame alignment or the CRC and Signaling Multiframe alignment of each of the eight framers. EFP[x] is updated by the active edge of the TLCLK[x] output (Clock Master), or CECLK input (Clock Slave).
ECLK[1] ECLK[2] ECLK[3] ECLK[4] ECLK[5] ECLK[6] ECLK[7] ECLK[8]			Egress Clock (ECLK[1:8]). When the Clock Master: NxTS mode is active, the ECLK[x] output is used to sample the associated egress data (ED[x]). ECLK[x] is a version of TLCLK[x] that is optionally gapped for between 1 and 32 channel timeslots in the associated ED[x] stream. ED[x] is sampled on the active edge of the associated ECLK[x].
MESIG[1] MESIG[2]		114 112	Multiplexed Bus Egress Signaling (MESIG[1:2]). When the Multiplexed bus structure is enabled, MESIG[1:2] carries the signaling data for the links configured to be on the two buses. MESIG[1:2] is sampled on the active edge of MCECLK.

CTCLK	Input	123	<p>Common Transmit Clock (CTCLK). This input signal is used to generate the TLCLK[x] clock signals. Depending on the configuration of the EOCTL, CTCLK may be a 16.384 MHz clock (so TLCLK[x] is generated by dividing CTCLK by 8), or a line rate clock (so TLCLK[x] is generated directly from CTCLK, or from CTCLK after jitter attenuation), or a multiple of 8kHz (Nx8khz, where $1 \leq N \leq 256$) so long as CTCLK is jitter-free when divided down to 8kHz (in which case TLCLK is derived by the DJAT PLL using CTCLK as a reference).</p> <p>The EOCTL may be configured to ignore the CTCLK input and utilize CECLK or RLCLK[x] instead. RLCLK[x] is automatically substituted for CTCLK if line loopback is enabled.</p>
CECLK MCECLK	Input	122	<p>Common Egress Clock (CECLK). The common egress clock is used to time the egress interface when Clock Slave mode is enabled in the egress side. CECLK is nominally a 2.048MHz clock with optional gapping for adaptation from non-uniform system clocks. When the Clock Slave: EFP Enabled mode is active, CEFP and ED[x] are sampled on the active edge of CECLK, and EFP[x] is updated on the active edge of CECLK. When the Clock Slave: External Signaling mode is active, CEFP, ESIG[x] and ED[x] are sampled on the active edge of CECLK.</p> <p>Multiplexed Common Egress Clock (MCECLK). When the Multiplexed bus structure is enabled, MCECLK is a 8.192 MHz or 16.384 Mhz clock which drives the two Multiplexed buses and samples the data on MESIG[1:2], MED[1:2], and the alignment signal on MCEFP.</p>

CEFP MCEFP	Input	121	<p>Common Egress Frame Pulse (CEFP). CEFP may be used to frame align the framers to the system backplane. If frame alignment only is required, a pulse at least 1 CECLK cycle wide must be provided on CEFP every 256 bit times.</p> <p>Multiplexed Common Egress Frame Pulse (MCEFP). If the multiplexed bus structure is enabled, MCEFP is used to align the bit-slots on the MED[1:2] and MESIG[1:2] buses. The bit-slot where MCEFP is active will become the first bit –slot of the multiplexed data streams. MCEFP is sampled on the active edge of MCECLK.</p>
TLCLK[1] TLCLK[2] TLCLK[3] TLCLK[4] TLCLK[5] TLCLK[6] TLCLK[7] TLCLK[8]	Output	10 12 14 16 23 25 27 29	<p>Transmit Line Clock (TLCLK[1:8]). The TLD[x] outputs are updated on the active edge of the associated TLCLK[x]. When the Clock Master: Full E1 mode is active, ED[1:8] is sampled on the active edge of TLCLK[x] and EFP[1:8] is updated on the active edge of TLCLK[x]. TLCLK[x] is a 2.048 MHz clock that is adequately jitter and wander free in absolute terms to permit an acceptable E1 signal to be generated. Depending on the configuration of the EOCTL, TLCLK[x] may be derived from CTCLK, CECLK, or RLCLK[x], with or without jitter attenuation.</p>
TLD[1] TLD[2] TLD[3] TLD[4] TLD[5] TLD[6] TLD[7] TLD[8]	Output	9 11 13 15 22 24 26 28	<p>Transmit Line Data (TLD[1:8]). TLD[1:8] contain the transmit stream for each of the eight E1 line interface units, or for the higher order multiplex interface. These outputs are updated on the active edge of the corresponding TLCLK[1:8].</p>
XCLK/ VCLK	Input	117	<p>Crystal Clock Input (XCLK). This signal provides timing for many portions of the EOCTL. XCLK is nominally a 49.152 MHz \pm 50ppm, 50% duty cycle clock.</p> <p>Vector Clock (VCLK). The VCLK signal is used during EOCTL production test to verify internal functionality.</p>

INTB	Output	40	Active low open-drain Interrupt signal (INTB). This signal goes low when an unmasked interrupt event is detected on any of the internal interrupt sources. Note that INTB will remain low until all active, unmasked interrupt sources are acknowledged at their source.
CSB	Input	65	Active low chip select (CSB). This signal must be low to enable EOCTL register accesses. CSB must go high at least once after a powerup to clear internal test modes. If CSB is not used, then it should be tied to an inverted version of RSTB, in which case, RDB and WRB determine register accesses.
D[0] D[1] D[2] D[3] D[4] D[5] D[6] D[7]	I/O	41 42 43 44 45 46 47 48	Bidirectional data bus (D[7:0]). This bus is used during EOCTL read and write accesses.
RDB	Input	67	Active low read enable (RDB). This signal is pulsed low to enable a EOCTL register read access. The EOCTL drives the D[7:0] bus with the contents of the addressed register while RDB and CSB are both low.
WRB	Input	66	Active low write strobe (WRB). This signal is pulsed low to enable a EOCTL register write access. The D[7:0] bus contents are clocked into the addressed normal mode register on the rising edge of WRB while CSB is low.
ALE	Input	53	Address latch enable (ALE). This signal latches the address bus contents, A[10:0], when low, allowing the EOCTL to be interfaced to a multiplexed address/data bus. When ALE is high, the address latches are transparent. ALE has an integral pull-up.
RSTB	Input	39	Active low reset (RSTB). This signal is set low to asynchronously reset the EOCTL. RSTB is a Schmitt-trigger input with integral pull-up. When resetting the device, RSTB must be asserted for a minimum of 100 ns to ensure that the EOCTL is completely reset.

A[0] A[1] A[2] A[3] A[4] A[5] A[6] A[7] A[8] A[9] A[10]	Input	54 55 56 57 58 59 60 61 62 63 64	Address bus (A[10:0]). This bus selects specific registers during EOCTL register accesses.
TCK	Input	126	Test Clock (TCK). The test clock (TCK) signal provides timing for test operations that can be carried out using the IEEE P1149.1 test access port.
TMS	Input	128	Test Mode Select (TMS). The test mode select (TMS) signal controls the test operations that can be carried out using the IEEE P1149.1 test access port. TMS is sampled on the rising edge of TCK. TMS has an integral pull up resistor.
TDI	Input	127	Test Input (TDI). The test data input (TDI) signal carries test data into the EOCTL via the IEEE P1149.1 test access port. TDI is sampled on the rising edge of TCK. TDI has an integral pull up resistor.
TDO	Tristate	124	Test Output (TDO). The test data output (TDO) signal carries test data out of the EOCTL via the IEEE P1149.1 test access port. TDO is updated on the falling edge of TCK. TDO is a tristate output which is tristated except when scanning of data is in progress.
TRSTB	Input	125	Test Reset (TRSTB). The active low test reset (TRSTB) signal provides an asynchronous EOCTL test access port reset via the IEEE P1149.1 test access port. TRSTB is a Schmitt triggered input with an integral pull up resistor. The JTAG TAP controller must be initialized when the EOCTL is powered up. If the JTAG port is not used TRSTB must be connected to the RSTB input or grounded.

BIAS	Input	17	+5V Bias (BIAS). The BIAS input is used to implement 5V tolerance on the inputs. BIAS must be connected to a well decoupled +5V rail if 5V tolerant inputs are required. If 5V tolerant inputs are not required, BIAS must be connected to a well-decoupled 3.3V DC supply together with the power pins PHA[3:0] and PHD[3:0].
PHA[0] PHA[1] PHA[2] PHA[3] PHA[4]	Power	18 49 74 92 107	Pad ring power pins (PHA[4:0]). These pins must be connected to a common, well decoupled +3.3V DC supply together with the core power pins PHD[3:0].
PHD[0] PHD[1] PHD[2] PHD[3]	Power	20 51 85 116	Core power pins (PHD[3:0]). These pins must be connected to a common, well decoupled +3.3V DC supply together with the pad ring power pins PHA[4:0].
PLA[0] PLA[1] PLA[2] PLA[3] PLA[4] PLA[5]	Ground	19 30 50 75 93 108	Pad ring ground pins (PLA[5:0]). These pins must be connected to a common ground together with the core ground pins PLD[3:0].
PLD[0] PLD[1] PLD[2] PLD[3]	Ground	21 52 86 118	Core ground pins (PLD[3:0]). These pins must be connected to a common ground together with the pad ring ground pins PLA[5:0].

Notes on Pin Description:

1. The PLA[5:0] and PLD[3:0] ground pins are not internally connected together. Failure to connect these pins externally may cause malfunction or damage the device. The PHA[4:0] and PHD[3:0] power pins are not internally connected together. Failure to connect these pins externally may cause malfunction or damage the device. These power supply connections must all be utilized and must all connect to a common +3.3 V or ground rail, as appropriate.
2. During power-up, and power-down the voltage on the BIAS pin must be kept equal to or greater than the voltage on the PHA[4:0] and PHD[3:0] pins, to avoid damage to the device.

3. Inputs RSTB, TMS, TDI, and ALE have integral pull-up resistors.
4. All outputs have 2 mA drive capability except for the D[7:0] bidirectionals and the TLCLK[8:1], ECLK[8:1], and ICLK[8:1] clock outputs which have 3 mA drive capability.
5. All inputs and bidirectionals present minimum capacitive loading.
6. Certain inputs are described as being sampled by the “active edge” of a particular clock. These inputs may be enabled to be sampled on either the rising edge or the falling edge of that clock, depending on the software configuration of the device.

9 FUNCTIONAL DESCRIPTION

9.1 E1 Framer (E1-FRMR)

The E1 framing function is provided by the E1-FRMR block. The E1-FRMR searches for frame alignment, CRC multiframe alignment, and Channel Associated Signaling (CAS) multiframe alignment in the incoming recovered PCM stream.

Once the E1-FRMR TSB has found frame, the incoming data is continuously monitored for framing bit errors, CAS multiframe alignment pattern errors, CRC multiframe alignment pattern errors, and CRC errors. The E1-FRMR also detects and indicates loss of frame, loss of signaling multiframe, and loss of CRC multiframe, based on user-selectable criteria. The reframe operation can be initiated by software (via a register bit), by excessive CRC errors, or when CRC multiframe alignment is not found within 400ms. The E1-FRMR also identifies the position of TS 0, TS 16, the FAS, the signaling multiframe alignment signal, and the CRC multiframe alignment signal.

The E1-FRMR extracts TS 16 as a data link and provides a separate serial stream output timed to a 64 kbit/s data link clock. The E1-FRMR also extracts the contents of the International bits (from both the FAS frames and the NFAS frames), the National bits, and the Extra bits (from TS 16 of frame 0 of the signaling multiframe), and stores them in microprocessor-accessible registers, updated every NFAS frame (for the International and National bits) and every signaling multiframe (for the Extra bits). The E1-FRMR also extracts sub-multiframe aligned 4 bit codewords from each of the National bit positions Sa4 to Sa8, and stores them in microprocessor-accessible registers that are updated every CRC sub-multiframe.

The E1-FRMR identifies the raw bit values for Remote Alarm (bit 3 in TS 0 of NFAS frames) and Remote Signaling Multiframe Alarm (bit 6 of TS 16 of frame 0 of the signaling multiframe) via microprocessor-accessible registers. Outputs are provided to indicate the “debounced” Remote Alarm and Remote Signaling Multiframe Alarm is present when the corresponding bit has been a logic 1 for 2 or 3 consecutive occurrences. Detection of AIS and TS 16 AIS are indicated; AIS is also integrated and an AIS Alarm is indicated if the AIS condition has persisted for at least 100 ms. The out of frame (OOF=1) condition is also integrated, indicating a RED Alarm if the OOF condition has persisted for at least 100 ms.

An interrupt output is provided to signal a change in the state of any status output (OOF, OOSMF, OOCMF, AIS, or RED), and to signal when any event output (RRA, RRMA, AISD, T16AISD, COFA, FER, SMFER, CMFER, CRCE, or FEBE) has occurred. As well, interrupts may be generated every frame, CRC sub-multiframe, CRC multiframe or signaling multiframe.

Basic Frame Alignment Procedure

The E1-FRMR searches for basic frame alignment using the algorithm defined in ITU-T Recommendation G.706 4.1.2 and 4.2.

The algorithm finds frame alignment by using the following sequence:

1. Search for the presence of the correct 7-bit FAS ('0011011');
2. Check that the FAS is absent in the following frame by verifying that bit 2 of the assumed non-frame alignment sequence (NFAS) TS 0 byte is a logic 1;
3. Check that the correct 7-bit FAS is present in the assumed TS 0 byte of the next frame.

If either of the conditions in steps 2 or 3 are not met, a new search for frame alignment is initiated in the bit immediately following the second 7-bit FAS sequence check. This "hold-off" is done to ensure that new frame alignment searches are done in the next bit position, modulo 512. This facilitates the discovery of the correct frame alignment, even in the presence of fixed timeslot data imitating FASs.

These algorithms provide robust framing operation even in the presence of random bit errors: framing with algorithm #1 or #2 provides a 99.98% probability of finding frame alignment within 1 ms in the presence of 10^{-3} bit error rate and no mimic patterns.

Once frame alignment is found, the block sets the OOF indication low, indicates a change of frame alignment (if it occurred), and monitors the frame alignment signal, indicating errors occurring in the 7-bit FAS pattern and in bit 2 of NFAS frames, and indicating the debounced value of the Remote Alarm bit (bit 3 of NFAS frames). Using debounce, the Remote Alarm bit has $<0.00001\%$ probability of being falsely indicated in the presence of a 10^{-3} bit error rate. The block declares loss of frame alignment if 3 consecutive FASs have been received in error or, additionally, if bit 2 of NFAS frames has been in error for 3 consecutive occasions. In the presence of a random 10^{-3} bit error rate the frame loss criteria provides a mean time to falsely lose frame alignment of >12 minutes.

The E1-FRMR can be forced to initiate a frame search at any time when any of the following conditions are met:

- the software re-frame bit in the E1-FRMR Frame Alignment Options Register goes to logic 1;
- the EXREFR input signal goes high;
- the CRC Frame Find Block is unable to find CRC multiframe alignment; or
- the CRC Frame Find Block accumulates excessive CRC evaluation errors (≥ 915 CRC errors in 1 second) and is enabled to force a re-frame.

CRC Multiframe Find Procedure

The E1-FRMR searches for CRC multiframe alignment by observing whether the International bits (bit 1 of TS 0) of NFAS frames follow the CRC multiframe alignment pattern. Multiframe alignment is declared if at least two valid CRC multiframe alignment signals are observed within 8 ms, with the time separating two alignment signals being a multiple of 2 ms

Once CRC multiframe alignment is found, the block sets the OOCMF indication low, and monitors the multiframe alignment signal, indicating errors occurring in the 6-bit pattern, and indicating the value of the FEBE bits (bit 1 of frames 13 and 15 of the multiframe). The block declares loss of CRC multiframe alignment if four consecutive CRC multiframe alignment signals have been received in error, or if frame alignment has been lost.

Under the CRC-to-non-CRC interworking algorithm, if the E1-FRMR can achieve basic frame alignment with respect to the incoming data stream, but is unable to achieve CRC-4 multiframe alignment within the subsequent 400ms, the distant end is assumed to be a non CRC-4 interface. The details of this algorithm are outlined in the state diagram below:

Figure 2 - E1-FRMR Framing Algorithm

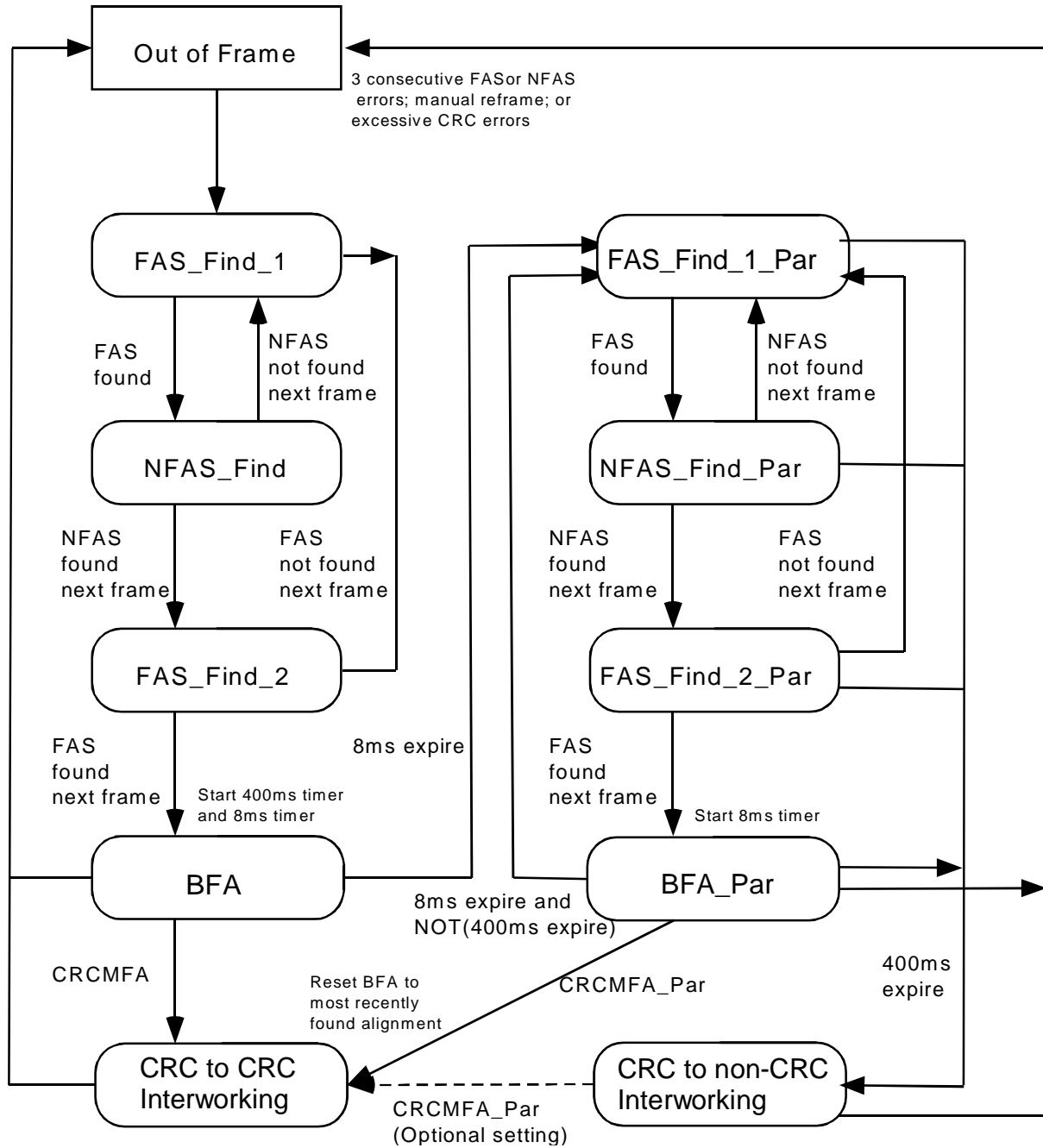


Table 1 - E1-FRMR CRC Frame Find State Machine Outputs

State	OOF	OOOF
FAS_Find_1	1	0
NFAS_Find	1	0
FAS_Find_2	1	0
BFA	0	0
CRC to CRC Interworking	0	0
FAS_Find_1_Par	0	1
NFAS_Find_Par	0	1
FAS_Find_2_Par	0	1
BFA_Par	0	0
CRC to non-CRC Interworking	0	0

From an out of sync state, the E1-FRMR attempts to find basic frame alignment in accordance with the FAS/NFAS/FAS G.706 procedure outlined in the section above. Upon achieving basic frame alignment, a 400ms timer is started, as well as an 8ms timer. If two CRC multiframe alignment signals separated by a multiple of 2ms is observed before the 8ms timer has expired, CRC multiframe alignment is declared.

If the 8ms timer expires without achieving multiframe alignment, a new offline search for basic frame alignment is initiated. This search is performed in accordance with the Basic Frame alignment procedure outlined above. However, this search does not immediately change the actual basic frame alignment of the system. (i.e. data continues to be processed in accordance with the first basic frame alignment found after an out of sync state while this frame alignment search occurs as a parallel operation.)

When a new basic frame alignment is found by this offline search, the 8ms timer is restarted. If two CRC multiframe alignment signals separated by a multiple of 2ms is observed before the 8ms timer has expired, CRC multiframe alignment is declared and the basic frame alignment is set accordingly. (i.e. The basic frame alignment is set to correspond to the frame alignment found by the parallel offline search, which

is also the basic frame alignment corresponding to the newly found CRC multiframe alignment.)

Subsequent expirations of the 8ms timer will reinitiate a new search for basic frame alignment. If, however, the 400ms timer expires at any time during this procedure, the E1-FRMR stops searching for CRC multiframe alignment and declares CRC to non CRC interworking. From this mode, the FRMR may either halt searching for CRC multiframe altogether, or may continue searching for CRC multiframe alignment using the established basic frame alignment. In either case, no further adjustments are made to the basic frame alignment, and no offline searches for basic frame alignment occur once CRC to non-CRC interworking is declared: it is assumed that the established basic frame alignment at this point is correct.

CRC Checking and AIS Detection

The E1-FRMR computes the 4-bit CRC checksum for each incoming sub-multiframe and compares this 4-bit result to the received CRC remainder bits in the subsequent sub-multiframe. If a mismatch occurs, the E1-FRMR can initiate an interrupt. The E1-FRMR also accumulates CRC errors over 1 second intervals, monitoring for excessive CRC errors and optionally, initiating a frame search when ≥ 915 CRC errors occur in 1 second. The number of CRC errors accumulated during the previous second is available by reading the CRC Error Counter Registers.

The E1-FMR also detects the occurrence of an unframed all-ones receive data stream, indicating the AIS by setting the AISD output high when less than 3 zero bits are received in 512 consecutive bits or in each of 2 consecutive periods of 512 bits; the AISD output is reset low when 3 or more zeros in the data stream are observed in 512 consecutive bits or in each of 2 consecutive periods of 512 bits. Finding frame alignment will also cause the AISD indication to be deasserted.

Signaling Frame Find Block

The E1-FRMR searches for signaling multiframe alignment using the following G.732 compliant algorithm: signaling multiframe alignment is declared when non-zero bits 1-4 of TS 16 are observed to precede a TS 16 containing the correct alignment pattern.

Once signaling multiframe alignment has been found, the block sets the OOSMF indication to logic 0, and monitors the signaling multiframe alignment signal, indicating errors occurring in the 4-bit pattern, and indicating the debounced value of the Remote Signaling Multiframe Alarm bit (bit 6 of TS 16 of frame 0 of the multiframe). Using debounce, the Remote Signaling Multiframe Alarm bit has $< 0.00001\%$ probability of being falsely indicated in the presence of a 10^{-3} bit error rate.

The block declares loss of signaling multiframe alignment if two consecutive signaling multiframe alignment signals have been received in error, or additionally, if all the bits in TS16 are logic 0 for 1 or 2 (selectable) signaling multiframes. Loss of signaling multiframe alignment is also declared if basic frame alignment has been lost.

National Bits Extraction

The E1-FRMR extracts and assembles the sub-multiframe aligned National bit codewords Sa4[1:4] to Sa8[1:4]. The corresponding register values are updated upon generation of the CRC sub-multiframe interrupt.

This block also detects the V5.2 link ID signal, which is defined as the event where 2 out of 3 Sa7 bits are logic 0. Upon reception of this Link ID signal, the V52LINK output is asserted. This signal is cleared when 2 out of 3 Sa7 bits are a logic one.

Alarm Integration

The E1-FRMR monitors the OOF and the AISD indications, verifying that each condition has persisted for 104 ms (± 6 ms) before indicating the alarm condition. The alarm is removed when the condition has been absent for 104 ms (± 6 ms).

The AIS Alarm algorithm accumulates the occurrences of AISD over a 4 ms interval and indicates a valid AIS presence when 13 or more AISD indications have been received. Each interval with a valid AIS presence indication increments an interval counter which declares AIS Alarm when 25 valid intervals have been accumulated. An interval with no valid AIS presence indication decrements the interval counter; the AIS Alarm declaration is removed when the counter reaches 0. This algorithm provides a 99.8% probability of declaring an AIS Alarm in the presence of a 10^{-3} mean bit error rate.

The RED Alarm algorithm monitors occurrences of OOF over a 4 ms interval, indicating a valid OOF interval when one or more OOF indications occurred during the interval, and indicating a valid in frame (INF) interval when no OOF indication occurred for the entire interval. Each interval with a valid OOF indication increments an interval counter which declares RED Alarm when 25 valid intervals have been accumulated. An interval with valid INF indication decrements the interval counter; the RED Alarm declaration is removed when the counter reaches 0. This algorithm biases OOF occurrences, leading to declaration of RED Alarm when intermittent loss of frame alignment occurs.

9.2 Performance Monitor Counters (PMON)

The Performance Monitor Counters function is provided by the PMON block. The block accumulates CRC error events, Frame Synchronization bit error events, and

FEBE events with saturating counters over consecutive intervals as defined by the period of the supplied transfer clock signal (typically 1 second). When the transfer clock signal is applied, the PMON transfers the counter values into holding registers and resets the counters to begin accumulating events for the interval. The counters are reset in such a manner that error events occurring during the reset are not missed. If the holding registers are not read between successive transfer clocks, an **OVERRUN** register bit is asserted.

Generation of the transfer clock within the EOCTL is performed by writing to any counter register location or by writing to the Global PMON Update register. The holding register addresses are contiguous to facilitate faster polling operations.

9.3 Data Link Extractor (RXCE)

The data link extraction is provided by the RXCE block. The RXCE allows the optional extraction of per-timeslot data links from the received data stream.

Three independent data links can be extracted from three different timeslots. Each data link can be configured to extract its data from an entire timeslot or just from any combination of bits of a timeslot. Also, each data link can be extracted from every frame or from only even or only odd frames.

9.4 HDLC Receiver (RDLC)

The HDLC Receiver function is provided by the RDLC block. The RDLC is a microprocessor peripheral used to receive HDLC frames. Three RDLC blocks are provided for flexible extraction of standardized data links:

- Common Channel Signaling data link
- V5.1/V5.2 D-channel and C-channels.
- Sa-bit data link

The RDLC detects the change from flag characters to the first byte of data, removes stuffed zeros on the incoming data stream, receives packet data, and calculates the CRC-CCITT frame check sequence (FCS).

In the address matching mode, only those packets whose first data byte matches one of two programmable bytes or the universal address (all ones) are stored in the FIFO. The two least significant bits of the address comparison can be masked for LAPD SAPI matching.

Received data is placed into a 128-byte FIFO buffer. An interrupt is generated when a programmable number of bytes are stored in the FIFO buffer. Other sources of interrupt are detection of the terminating flag sequence, abort sequence, or FIFO buffer overrun.

The Status Register contains bits which indicate the overrun or empty FIFO status, the interrupt status, and the occurrence of first flag or end of message bytes written into the FIFO. The Status Register also indicates the abort, flag, and end of message status of the data just read from the FIFO. On end of message, the Status Register indicates the FCS status and if the packet contained a non-integer number of bytes.

9.5 Elastic Store (ELST)

The Elastic Store (ELST) synchronizes ingress frames to the common ingress clock and frame pulse (CICLK and CIFP or MCICLK and MCIFP) in the Clock Slave ingress modes. The frame data is buffered in a two frame circular data buffer. Input data is written to the buffer using a write pointer and output data is read from the buffer using a read pointer.

The elastic store can be bypassed to eliminate the 2 frame delay. In this configuration (the Clock Master ingress modes), the elastic store is used to synchronize the ingress frames to the transmit line clock (TLCLK[x]) so that per-channel loopbacks may be enabled. Per-channel loopbacks are only available when the elastic store is bypassed, or when CECLK and CICLK are tied together and CEFP and CIFP are tied together, and the CICLKRISE and CECLKFALL register bits are either both logic 1 or both logic 0. CICLKRISE and CECLKFALL are found in registers 3 and 4 of each octant, respectively. The elastic store cannot be bypassed if the Multiplexed bus is enabled.

When the elastic store is being used, if the average frequency of the incoming data is greater than the average frequency of the backplane clock, the write pointer will catch up to the read pointer and the buffer will be filled. Under this condition a controlled slip will occur when the read pointer crosses the next frame boundary. The subsequent ingress frame is deleted.

If the average frequency of the incoming data is less than the average frequency of the backplane clock, the read pointer will catch up to the write pointer and the buffer will be empty. Under this condition a controlled slip will occur when the read pointer crosses the next frame boundary. The previous ingress frame is repeated.

A slip operation is always performed on a frame boundary.

For payload conditioning, the ELST can be configured to insert a programmable idle code into all channels when the FRMR is out of frame alignment

9.6 Signaling Extractor (SIGX)

The Signaling Extraction (SIGX) block provides signaling bit extraction from timeslot 16 of the ingress. When the external signaling interface is enabled, the SIGX

serializes the bits into a serial stream (ISIG[x] or MISIG[x]) aligned to the synchronized outgoing data stream (ID[x] or MID[x]). The signaling data stream contains the A,B,C,D bits in the lower 4 channel bit locations (bits 5,6,7,8). The SIGX also provides user control over signaling freezing and provides control over signaling bit fixing and signaling debounce on a per-channel basis. The block contains three multiframes worth of signal buffering to ensure that there is a greater than 95% probability that the signaling bits are frozen in the correct state for a 50% ones density out-of-frame condition. With signaling debounce enabled, the per-channel signaling state must be in the same state for 2 multiframes before appearing on the serial output stream. The SIGX indicates the occurrence of a change of signaling state for each channel via an interrupt and by a change of signaling state bit for each channel.

9.7 Receive Per-Channel Serial Controller (RPSC)

The RPSC allows data and signaling trunk conditioning to be applied on the receive E1 stream on a per-channel basis. It also allows per-channel control of data inversion, the extraction of clock and data on ICLK[x] and ID[x] (when the Clock Master: NxTS mode is active), and the detection or generation of pseudo-random or repetitive patterns. The RPSC operates on the data after its passage through ELST, so that data and signaling conditioning may overwrite the ELST idle code.

9.8 Pattern Detector/Generator (PRGD)

The Pattern Generator/Detector (PRGD) block is a software programmable test pattern generator, receiver, and analyzer. Patterns may be generated in either the transmit or receive directions, and detected in the opposite direction. Two types of ITU-T O.151 compliant test patterns are provided : pseudo-random and repetitive. The PRGD can be programmed to generate any pseudo-random pattern with length up to $2^{32}-1$ bits or any user programmable bit pattern from 1 to 32 bits in length. In addition, the PRGD can insert single bit errors or a bit error rate between 10^{-1} to 10^{-7} .

The PRGD can be programmed to check for the presence of the generated pseudo-random pattern. The PRGD can perform an auto synchronization to the expected pattern, and generate interrupts on detection and loss of the specified pattern. The PRGD can accumulate the total number of bits received and the total number of bit errors in two saturating 32-bit counters. The counters accumulate over an interval defined by writes to the Revision/Chip ID/Global PMON Update register (register 00CH), by writes to any PRGD accumulation register, or over a one-second interval timed to the receive line clock, via the AUTOUPDATE feature in the Receive Line Options register (000H, 080H, 100H, 180H, 200H, 280H, 300H, 380H). When an accumulation is forced by either method, then the holding registers are updated, and the counters reset to begin accumulating for the next interval. The counters are reset in such a way that no events are missed. The data is then available in the

holding registers until the next accumulation. In addition to the two counters, a record of the 32 bits received immediately prior to the accumulation is available.

The PRGD may also be programmed to check for repetitive sequences. When configured to detect a pattern of length N bits, the PRGD will load N bits from the detected stream, and determine whether the received pattern repeats itself every N subsequent bits. Should it fail to find such a pattern, it will continue loading and checking until it finds a repetitive pattern. All the features (error counting, auto-synchronization, etc.) available for pseudo-random sequences are also available for repetitive sequences. Whenever a PRGD accumulation is forced, the PRGD stores a snapshot of the 32 bits received immediately prior to the accumulation. This snapshot may be examined in order to determine the exact nature of the repetitive pattern received by PRGD.

9.9 E1 Transmitter (E1-TRAN)

The E1 Transmitter (TRAN) generates a 2048 kbit/s data stream according to ITU-T recommendations, providing individual enables for frame generation, CRC multiframe generation, and channel associated signaling (CAS) multiframe generation.

In concert with Transmit Per-Channel Serial Controller (TPSC), the TRAN block provides per-timeslot control of idle code substitution, data inversion, digital milliwatt substitution, selection of the signaling source and CAS data. All timeslots can be forced into a trunk conditioning state (idle code substitution and signaling substitution) by use of the master trunk conditioning bit in the Configuration Register.

Common Channel Signaling (CCS) is supported in timeslot 16 through the internal HDLC Transmitter (TDPR). Support is provided for the transmission of AIS and TS16 AIS, and the transmission of remote alarm (RAI) and remote multiframe alarm signals.

The E1-TRAN supports insertion of 4-bit code words into the National Bits Sa4 to Sa8 as specified in ETS 300-233. Alternatively, the National bits may individually carry data links sourced from the internal HDLC controllers, or may be passed transparently from the ED[x] input.

9.10 Transmit Per-Channel Serial Controller (TPSC)

The Transmit Per-DS0 Serial Controller allows data and signaling trunk conditioning or idle code to be applied on the transmit E1 stream on a per-channel basis. It also allows per-channel control of data inversion, per-channel loopback (from the ingress stream), channel insertion, and the detection or generation of pseudo-random or repetitive patterns.

The TPSC interfaces directly to the TRAN block and provides serial streams for signaling control, idle code data, digital milliwatt insertion, and egress data control.

9.11 Transmit Data link Inserter (TXCI)

The facility data link insertion functions are provided by the TXCI block. The TXCI allows the optional insertion of per-timeslot functions into the output data stream. The TXCI works with the TDPR, PRGD, and TPSC blocks for per-timeslot insertion of test patterns, data streams, and data link streams.

Three independent data links can be inserted into three different timeslots. Each data link can be configured to insert its data into the entire timeslot or just into a certain combination of bits of the timeslot. Also, each data link can be inserted into every frame or into only even or only odd frames.

Depending on the settings of the per-channel TPSC functions, the TXCI also assists in executing per-timeslot functions such as payload loopback and PRBS test pattern insertion.

9.12 Facility Data Link Transmitter (TDPR)

The Facility Data Link Transmitter (TDPR) provides serial data for the 3 possible data links (TS16, National Bits, and 1 arbitrary timeslot, or 3 arbitrary timeslots). The TDPR is used under microprocessor control to transmit HDLC data frames. It performs all of the data serialization, CRC generation, zero-bit stuffing, as well as flag, and abort sequence insertion. Upon completion of the message, a CRC-CCITT frame check sequence (FCS) may be appended, followed by flags. If the TDPR transmit data FIFO underflows, an abort sequence is automatically transmitted.

When enabled, the TDPR continuously transmits the flag sequence (01111110) until data is ready to be transmitted. Data bytes to be transmitted are written into the Transmit Data Register. The TDPR performs a parallel-to-serial conversion of each data byte before transmitting it.

The TDPR automatically begins transmission of data once at least one complete packet is written into its FIFO. All complete packets of data will be transmitted. After the last data byte of a packet, the CRC word (if CRC insertion has been enabled) and a flag, or just a flag (if CRC insertion has not been enabled) is transmitted. The TDPR then returns to the transmission of flag characters until the next packet is available for transmission. The TDPR will also force transmission of the FIFO data once the FIFO depth has surpassed the programmable upper limit threshold. Transmission commences regardless of whether or not a packet has been completely written into the FIFO. The user must be careful to avoid overfilling the FIFO. Underruns can only occur if the

packet length is greater than the programmed upper limit threshold because, in such a case, transmission will begin before a complete packet is stored in the FIFO. An interrupt can be generated once the FIFO depth has fallen below a user configured lower threshold as an indicator for the user to write more data.

Interrupts can also be generated if the FIFO underflows while transmitting a packet, when the FIFO is full, or if the FIFO is overrun.

If there are more than five consecutive ones in the raw transmit data or in the CRC data, a zero is stuffed into the serial data output. This prevents the unintentional transmission of flag or abort sequences.

Abort characters can be continuously transmitted at any time by setting a control bit. During packet transmission, an underrun situation can occur if data is not written to the TDPR Transmit Data register before the previous byte has been depleted. In this case, an abort sequence is transmitted, and the controlling processor is notified via the UDRI interrupt.

9.13 Receive and Transmit Digital Jitter Attenuator (RJAT, TJAT)

The Digital Jitter Attenuation function is provided by the DJAT blocks. Each framer in the EOCTL contains two separate jitter attenuators, one between the receive line data and the ingress interface (RJAT) and the other between the egress interface and the transmit line data (TJAT). Each DJAT block receives jittered data and stores the stream in a FIFO timed to the associated clock (either RLCLK[x] or CECLK). The jitter attenuated data emerges from the FIFO timed to the jitter attenuated clock. In the RJAT, the jitter attenuated clock (ICLK[x]) is referenced to RLCLK[x]. In the TJAT, the jitter attenuated clock TLCLK[x] may be referenced to either CTCLK, CECLK, or RLCLK[x].

Each jitter attenuator generates its output clock by adaptively dividing the 49.152 MHz XCLK signal according to the phase difference between the jitter attenuated clock and the reference clock. Jitter fluctuations in the phase of the reference clock are attenuated by the phase-locked loop within each DJAT so that the frequency of the jitter attenuated clock is equal to the average frequency of the reference. Phase fluctuations with a jitter frequency above 8.8 Hz are attenuated by 6 dB per octave of jitter frequency. Wandering phase fluctuations with frequencies below 8.8 Hz are tracked by the jitter attenuated clock. The jitter attenuated clock (ICLK[x] for the RJAT and TLCLK[x] for the TJAT) is used to read data out of the FIFO.

If the FIFO read pointer comes within one bit of the write pointer, DJAT will track the jitter of the input clock. This permits the phase jitter to pass through unattenuated, inhibiting the loss of data.

Jitter Characteristics

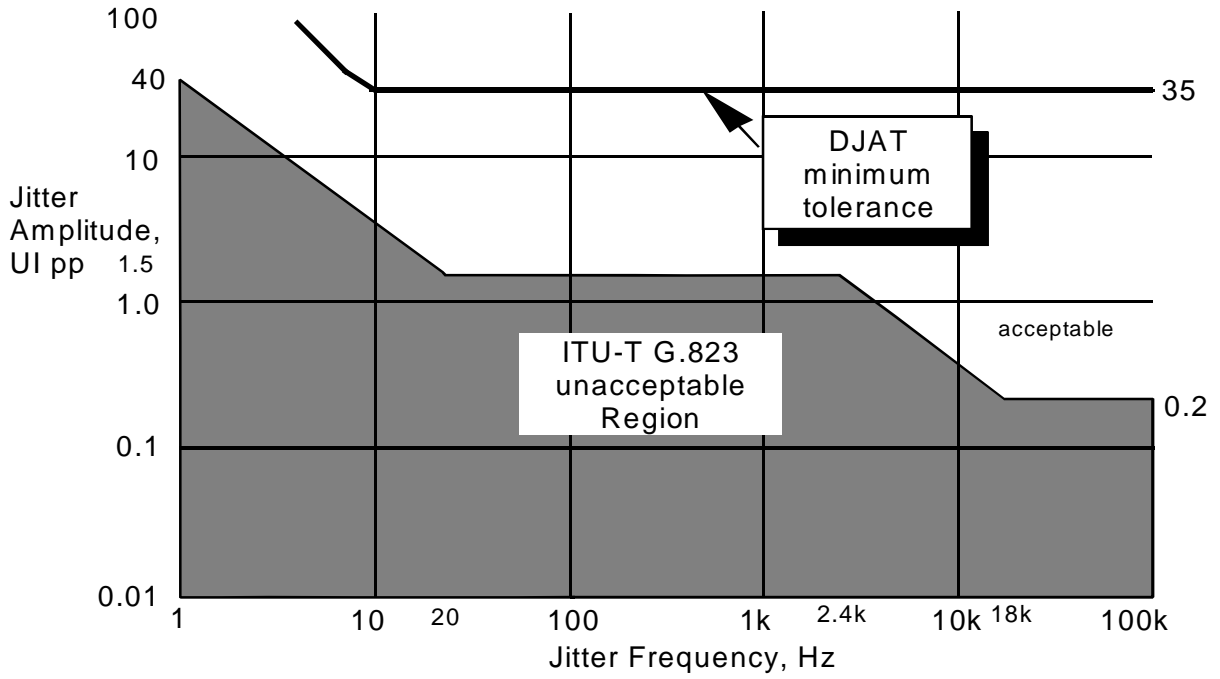
Each DJAT Block provides excellent jitter tolerance and jitter attenuation while generating minimal residual jitter. It can accommodate up to 35 Ulpp of input jitter at jitter frequencies above 9 Hz. For jitter frequencies below 9 Hz, more correctly called wander, the tolerance increases 20 dB per decade. In most applications the each DJAT Block will limit jitter tolerance at lower jitter frequencies only. For high frequency jitter, above 10 kHz for example, other factors such as clock and data recovery circuitry may limit jitter tolerance and must be considered. For low frequency wander, below 10 Hz for example, other factors such as slip buffer hysteresis may limit wander tolerance and must be considered. The DJAT blocks meet the low frequency jitter tolerance requirements ITU-T Recommendation G.823.

DJAT exhibits negligible jitter gain for jitter frequencies below 8.8 Hz, and attenuates jitter at frequencies above 8.8 Hz by 20 dB per decade. In most applications the DJAT Blocks will determine jitter attenuation for higher jitter frequencies only. Wander, below 10 Hz for example, will essentially be passed unattenuated through DJAT. Jitter, above 10 Hz for example, will be attenuated as specified, however, outgoing jitter may be dominated by the generated residual jitter in cases where incoming jitter is insignificant. This generated residual jitter is directly related to the use of 24X (49.152 MHz) digital phase locked loop for transmit clock generation. DJAT meets the jitter transfer requirements of ITU-T Recommendations G.737, G.738, G.739, and G.742.

Jitter Tolerance

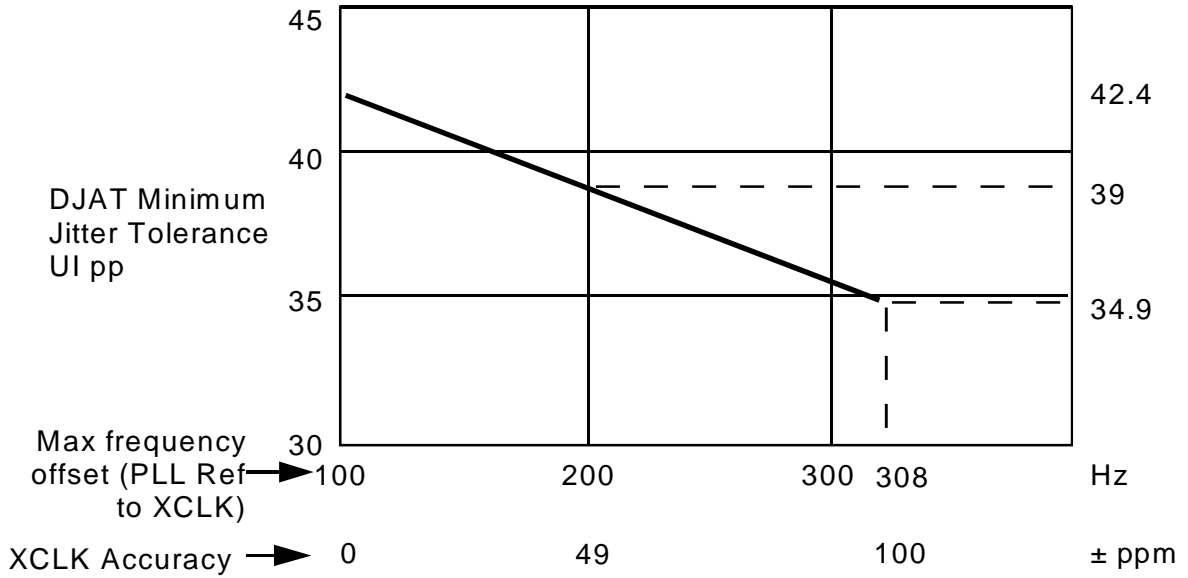
Jitter tolerance is the maximum input phase jitter at a given jitter frequency that a device can accept without exceeding its linear operating range, or corrupting data. For DJAT, the input jitter tolerance is 35 Unit Intervals peak-to-peak (Ulpp) with a worst case frequency offset of 308 Hz. It is 48 Ulpp with no frequency offset. The frequency offset is the difference between the frequency of XCLK divided by 24 and that of the input data clock.

Figure 3 - DJAT Jitter Tolerance



The accuracy of the XCLK frequency and that of the reference clock used to generate the jitter attenuated clock have an effect on the minimum jitter tolerance. Given that the DJAT PLL reference clock accuracy can be ± 103 Hz from 2.048 MHz, and that the XCLK input accuracy can be ± 100 ppm from 49.152 MHz, the minimum jitter tolerance for various differences between the frequency of PLL reference clock and $XCLK \div 24$ are shown in Figure 4.

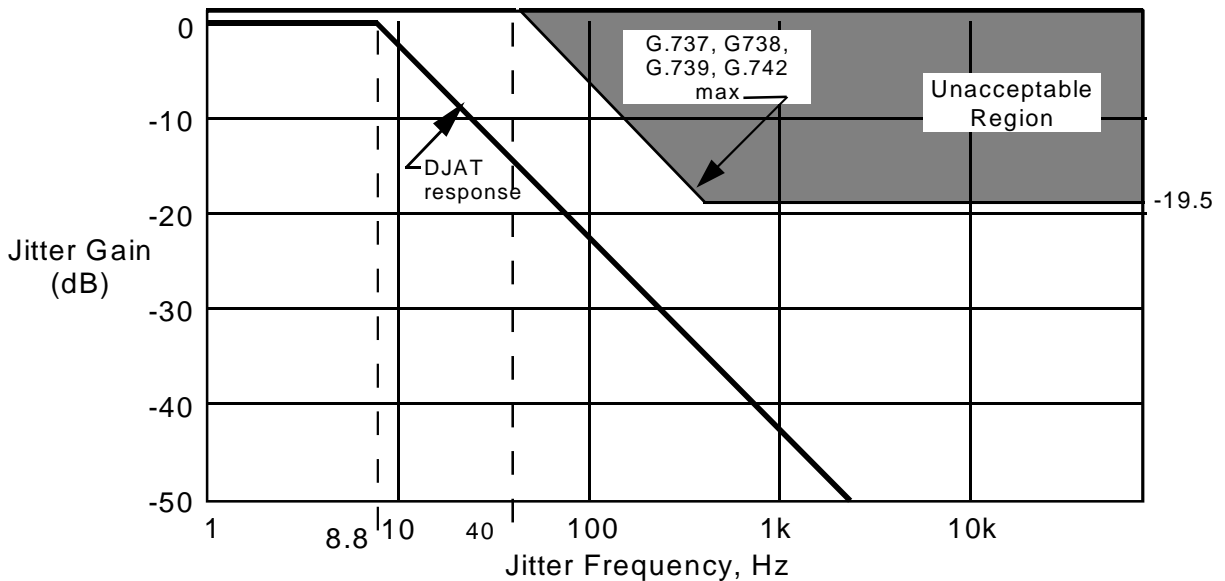
Figure 4 - DJAT Minimum Jitter Tolerance vs. XCLK Accuracy



Jitter Transfer

The output jitter for jitter frequencies from 0 to 8.8 Hz is no more than 0.1 dB greater than the input jitter, excluding the residual jitter. Jitter frequencies above 8.8 Hz are attenuated at a level of 6 dB per octave, as shown in Figure 5.

Figure 5 - DJAT Jitter Transfer



Frequency Range

In the non-attenuating mode, that is, when the FIFO is within one UI of overrunning or under running, the tracking range is 1.963 to 2.133 MHz. The guaranteed linear operating range for the jittered input clock is 2.048 MHz \pm 103 Hz with worst case jitter (42 UIpp) and maximum XCLK frequency offset (\pm 100 ppm). The nominal range is 2.048 MHz \pm 1278 Hz with no jitter or XCLK frequency offset.

9.14 Timing Options (TOPS)

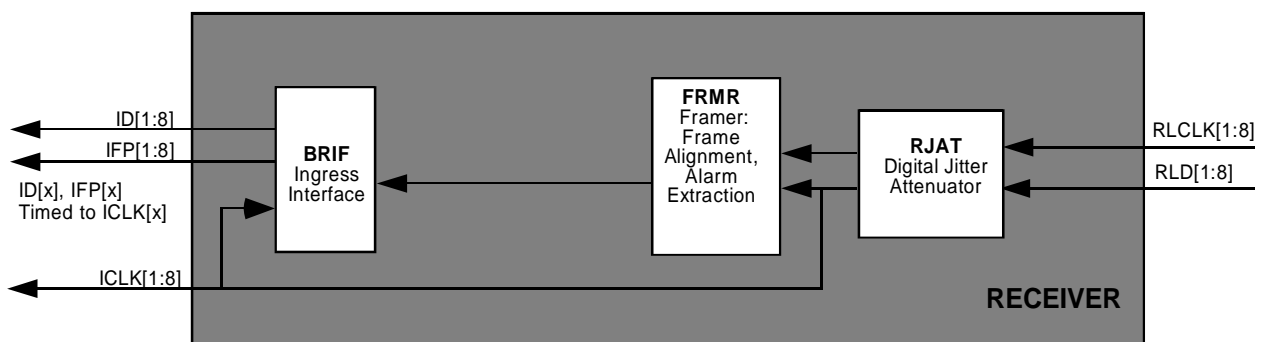
The Timing Options block provides a means of selecting the source of the internal input clock to the TJAT block, the reference clock for the TJAT digital PLL, and the clock source used to derive the output TLCLK[x] signal.

9.15 Backplane Receive Interface (BRIF)

9.15.1 Non-Multiplexed Bus Ingress Modes

The Ingress Interface allows ingress data to be presented to a system using one of four possible modes as selected by the ICLKSLV and ISIG_EN bits in the Receive Backplane Configuration (Register 010H, 090H, 110H, 190H, 210H, 290H, 310H, 390H) and Ingress Interface Options (Register 001H, 081H, 101H, 181H, 201H, 281H, 301H, 381H) Registers respectively: Clock Master: Full E1, Clock Master : NxTS, Clock Slave : ICLK Reference, or Clock Slave: External Signaling.

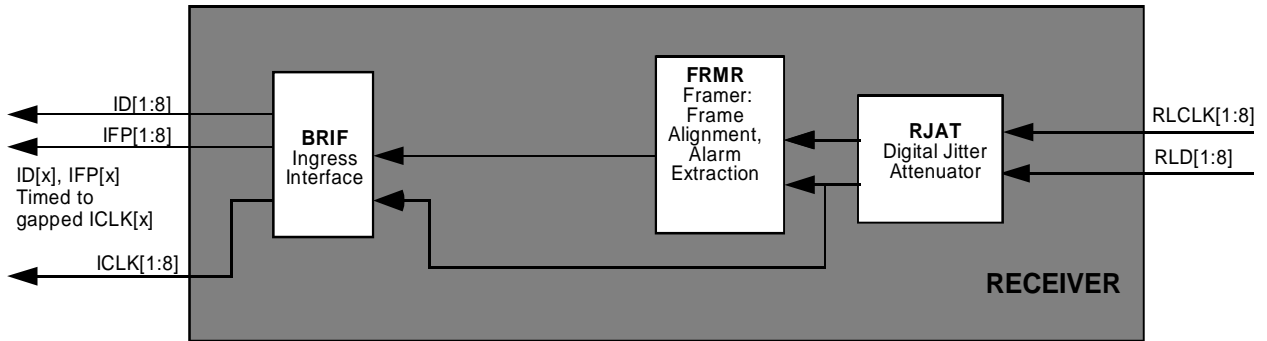
Figure 6 - Clock Master: Full E1.



In Clock Master: Full E1 mode, the elastic store is bypassed and the ingress clock (ICLK[x]) is a jitter attenuated version of the 2.048 MHz receive line clock (RLCLK[x]). ICLK[x] is pulsed for each bit in the 256 bit frame. The ingress data appears on ID[x] and the ingress frame alignment is indicated by IFP[x]. In this mode, data passes through the EOCTL unchanged during out-of-frame conditions, similar to an offline framer system. When the EOCTL is the clock master in the

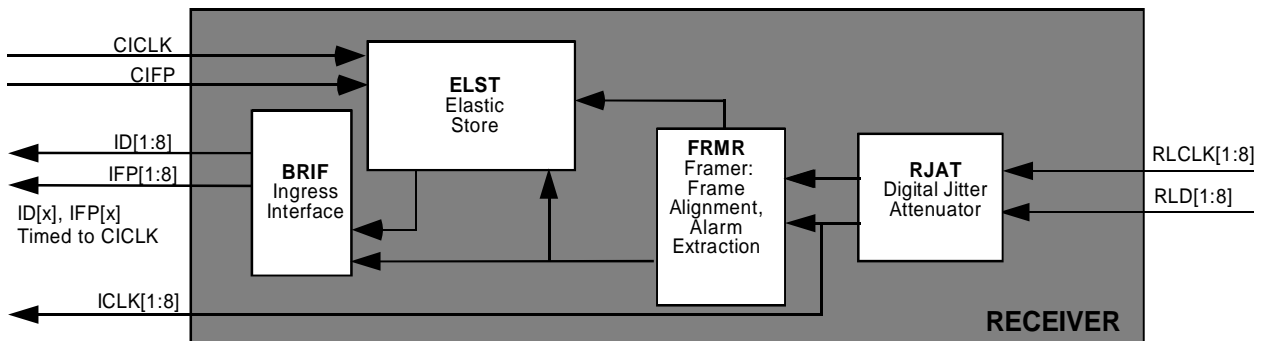
ingress direction, then the elastic store is used to buffer between the ingress and egress clocks to facilitate per-channel loopback.

Figure 7 - Clock Master: NxTS.



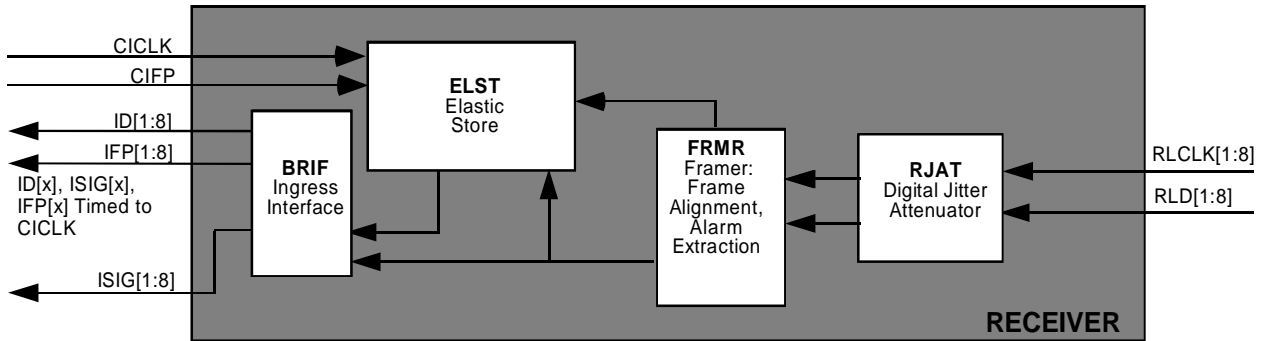
In this mode, ICLK[x] is derived from RLCLK[x], and is gapped on a per channel (timeslot TS) basis so that a subset of the 32 channels in the E1 frame is extracted on ID[x]. Channel extraction is controlled by the RPSC block. The number of ICLK[x] pulses is controllable from 0 to 256 pulses per frame on a per-channel basis. In this mode, data passes through the EOCTL unchanged during out-of-frame conditions. The parity functions are not usable in NxTS mode. When the EOCTL is the clock master in the ingress direction, then the elastic store is used to buffer between the ingress and egress clocks to facilitate per-channel loopback.

Figure 8 - Clock Slave: ICLK Reference



In this mode, the elastic store is enabled to permit CICK to specify the ingress-side timing. The ingress data on ID[x] is bit aligned to the 2.048 MHz common ingress clock (CICK) and is frame aligned to the common ingress frame pulse (CIFP). ICLK[x] can be enabled to be either a 2.048 MHz jitter attenuated version of RLCLK[x] or an 8 kHz version of RLCLK[x] (by dividing RLCLK[x] by 256). IFP[x] indicates either the frame, signaling multiframe, CRC multiframe, or both signaling and CRC multiframe alignment of ID[x].

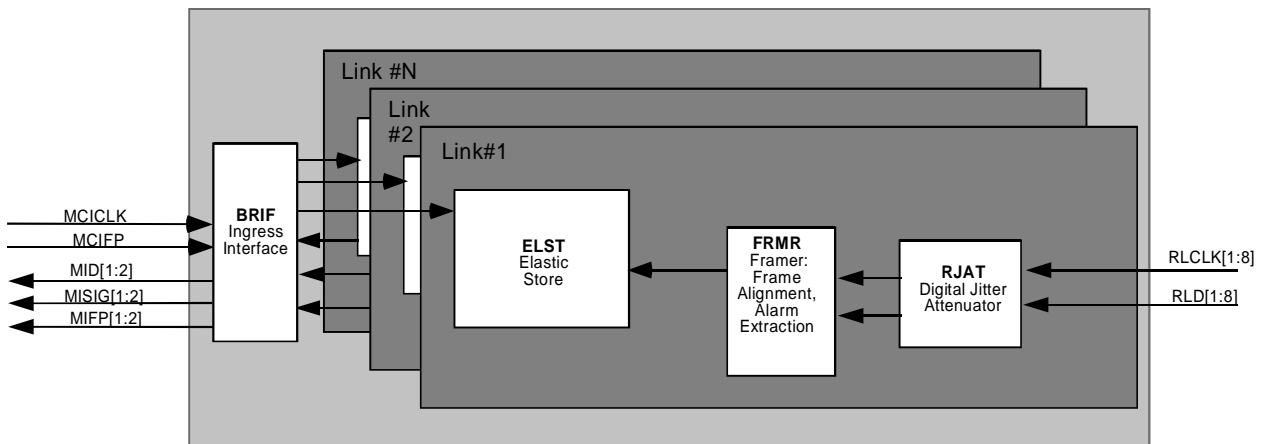
Figure 9 - Clock Slave: External Signaling.



In this mode, the elastic store is enabled to permit CICK to specify the ingress-side timing. The ingress data on ID[x] and signaling ISIG[x] are bit aligned to the 2.048 MHz common ingress clock (CICK) and are frame aligned to the common ingress frame pulse (CIFP). ISIG[x] contains the TS16 common channel signaling states (ABCD) in the lower four bits of each channel.

9.15.2 Multiplexed Bus Ingress Mode

Figure 10 - Ingress Multiplexed Bus Operation



When the Multiplexed bus structure is enabled on the ingress side, the Backplane Receive Interface allows byte-interleaved data to be presented to a backplane on one of two 8.192Mbit/ serial streams. Each stream allows up to 4 links to be placed.

All receive backplane signals are synchronous to CICK. When configured for a multiplexed backplane, the data and signaling streams for each selected link are byte interleaved into the 8.192 Mbit/s serial streams MID[1:2] and MISIG[1:2] respectively. Frame alignment for each selected link is given on MIFP[1:2]. As a

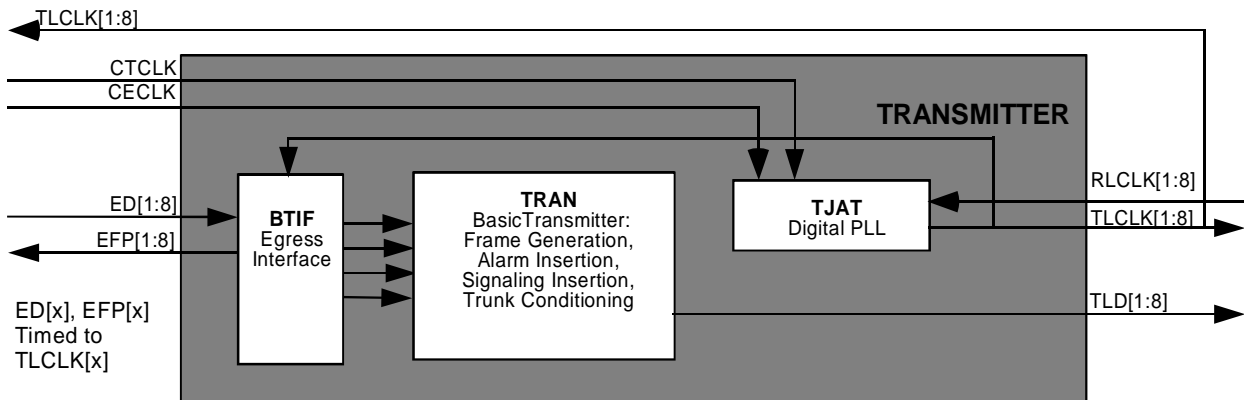
programming option, the data stream bit and timeslot alignment relative to MIFP[1:2] can be modified for Concentration Highway Interface (CHI) applications.

9.16 Backplane Transmit Interface (BTIF)

9.16.1 Non-Multiplexed Bus Egress Modes

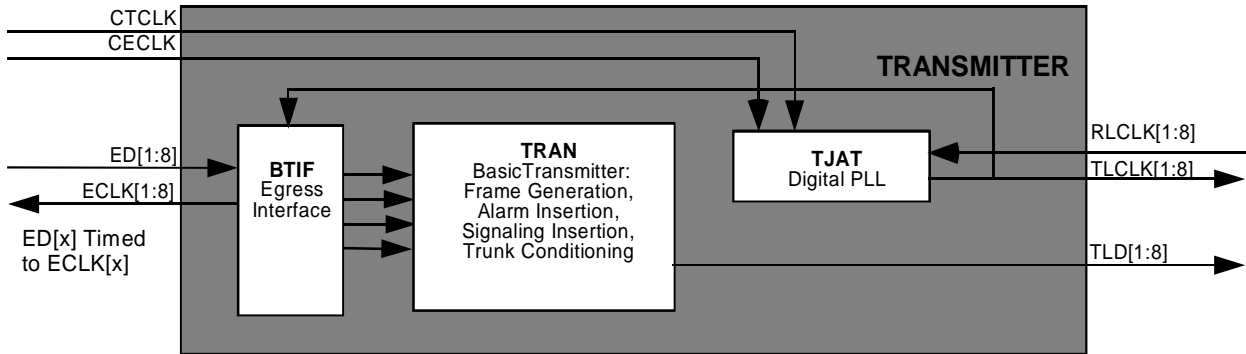
The Egress Interface allows egress data to be inserted into the transmit line using one of four possible modes, as selected by the ECLKSLV and ESIG_EN bits in the Transmit Backplane Configuration (Register 018H, 098H, 118H, 198H, 218H, 298H, 318H, 398H) and Egress Interface Options Registers (Register 003H, 083H, 103H, 183H, 203H, 283H, 303H, 383H) respectively: Clock Master: Full E1, Clock Master: NxTS, Clock Slave: EFP Enabled, and Clock Slave: External Signaling.

Figure 11 - Clock Master: Full E1



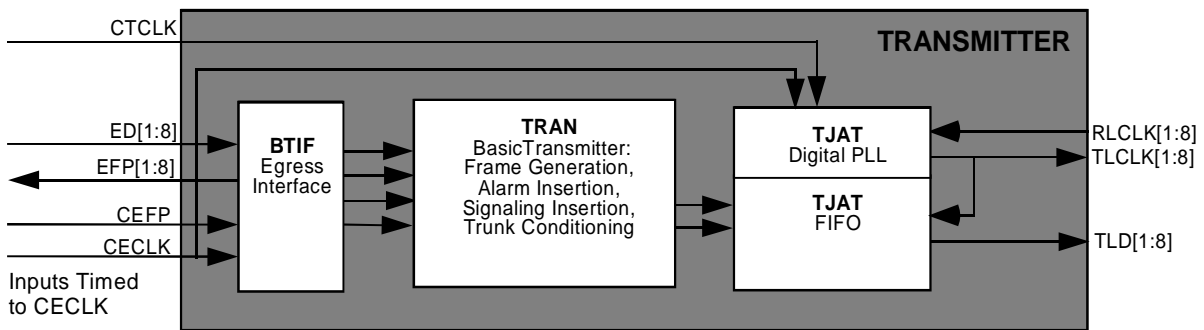
In this mode, the transmit clock output (TLCLK[x]) “pulls” data from an upstream data source. The frame alignment is indicated to the upstream data source using EFP[x]. TLCLK[x] may be generated by the TJAT PLL, referenced to either CECLK, CTCLK, or RLCLK[x]. TLCLK[x] may also be derived directly from CTCLK or XCLK. The CEFP input is unused in this mode, and has no effect.

Figure 12 - Clock Master: NxTS.



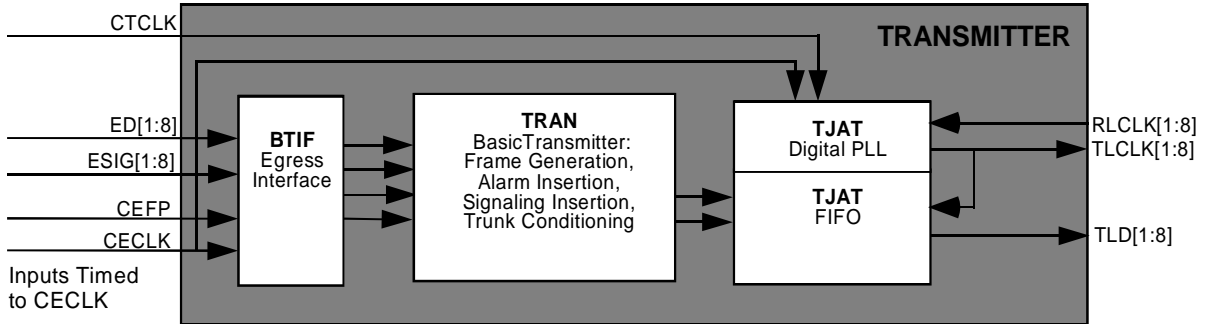
This mode is identical to the full E1 mode except that the frame alignment is not indicated to the upstream device. Instead, ECLK[x] is gapped on a per channel basis so that a subset of the 32 channels in the E1 frame is inserted on ED[x]. Channel insertion is controlled by the NxTS_IDLE bits in the TPSC block's Timeslot Control Bytes. The number of ECLK[x] pulses is controllable from 0 to 256 pulses per frame on a per-channel basis. The parity functions should not be enabled in NxTS mode. The CEFP input is unused in this mode, and has no effect.

Figure 13 - Clock Slave: EFP Enabled.



In this mode, the egress interface is clocked by the common egress clock (CECLK). The transmitter is either frame-aligned or superframe-aligned to the common egress frame pulse (CEFP). EFP[x] is configurable to indicate the frame alignment or the superframe alignment of ED[x].

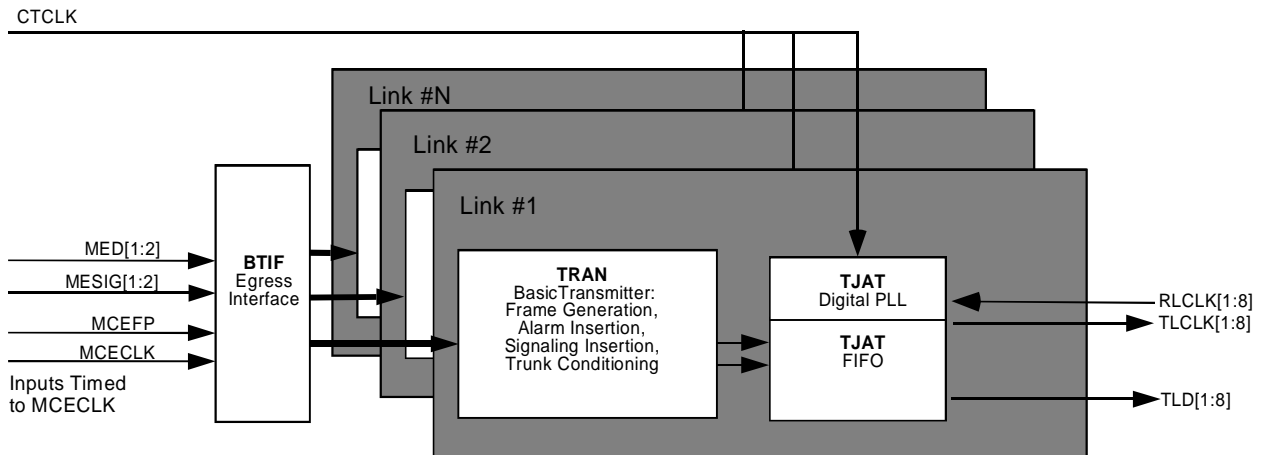
Figure 14 - Clock Slave: External Signaling.



In this mode, the egress interface is clocked by the common egress clock (CECLK). The transmitter is either frame-aligned or multiframe-aligned to the common egress frame pulse (CEFP). The ESIG[x] contain the channel associated signaling data to be inserted into TLD[x], with the four least significant bits of each channel on ESIG[x] representing the TS16 common channel signaling state (ABCD). EFP[x] is not available in this mode.

9.16.2 Multiplexed Egress Interface

Figure 15 - Egress Multiplexed Bus Operation



When the Multiplexed bus structure is enabled on the egress side, the Backplane Transmit Interface allows byte-interleaved data to be taken from timeslots of one of two multiplexed bus structures of 8.192 Mbit/s. Each stream allows up to 4 links to be transmitted.

All backplane signals are synchronous to MCECLK. When configured for a multiplexed backplane, the data and signaling streams can be configured to be routed to any one of the 8 egress links. Data is taken from the MED[1:2] stream.

Signaling is taken from the MESIG[1:2] stream. Timeslot alignment on the bus is taken from the MCEFP signal.

9.17 JTAG Test Access Port

The JTAG Test Access Port block provides JTAG support for boundary scan. The standard JTAG EXTEST, SAMPLE, BYPASS, IDCODE and STCTEST instructions are supported. The EOCTL identification code is 363880CD hexadecimal.

9.18 Microprocessor Interface

The microprocessor interface block provides normal and test mode registers, and the logic required to connect to the microprocessor interface. The normal mode registers are required for normal operation, and test mode registers are used to enhance the testability of the EOCTL. The register set is accessed as follows:

Table 2 - Register Memory Map

Address								Register
#1	#2	#3	#4	#5	#6	#7	#8	
000	080	100	180	200	280	300	380	Receive Line Options
001	081	101	181	201	281	301	381	Ingress Interface Options
002	082	102	182	202	282	302	382	Transmit Interface Configuration
003	083	103	183	203	283	303	383	Egress Interface Options
004	084	104	184	204	284	304	384	Transmit Timing Options
005	085	105	185	205	285	305	385	Interrupt Source #1
006	086	106	186	206	286	306	386	Interrupt Source #2
007	087	107	187	207	287	307	387	Diagnostics
008								Master Test
009								EOCTL Revision/Chip ID/Global PMON Update
00A	08A	10A	18A	20A	28A	30A	38A	Data Link Micro Select/Framer Reset
00B								Interrupt ID
00C	08C	10C	18C	20C	28C	30C	38C	Pattern Generator/Detector Positioning/Control
00D	08D	10D	18D	20D	28D	30D	38D	Clock Monitor
00E	08E	10E	18E	20E	28E	30E	38E	Ingress Frame Pulse Configuration
00F	08F	10F	18F	20F	28F	30F	38F	Reserved
010	090	110	190	210	290	310	390	Receive Backplane Configuration

011	091	111	191	211	291	311	391	Receive Backplane Frame Pulse Configuration
012	092	112	192	212	292	312	392	Receive Backplane Parity/F-Bit Configuration
013	093	113	193	213	293	313	393	Receive Backplane Time Slot Offset
014	094	114	194	214	294	314	394	Receive Backplane Bit Offset
015-017	095-097	115-117	195-197	215-217	295-297	315-317	395-397	Reserved
018	098	118	198	218	298	318	398	Transmit Backplane Configuration
019	099	119	190	219	299	319	399	Transmit Backplane Frame Pulse Configuration
01A	09A	11A	19A	21A	29A	31A	39A	Transmit Backplane Parity Configuration and Status
01B	09B	11B	19B	21B	29B	31B	39B	Transmit Backplane Time Slot Offset
01C	09C	11C	19C	21C	29C	31C	39C	Transmit Backplane Bit Offset
01D-01F	09D-09F	11D-11F	19D-19F	21D-21F	29D-29F	31D-31F	39D-39F	Reserved
020	0A0	120	1A0	220	2A0	320	3A0	RJAT Interrupt Status
021	0A1	121	1A1	221	2A1	321	3A1	RJAT Reference Clock Divisor (N1) Control
022	0A2	122	1A2	222	2A2	322	3A2	RJAT Output Clock Divisor (N2) Control
023	0A3	123	1A3	223	2A3	323	3A3	RJAT Configuration
024	0A4	124	1A4	224	2A4	324	3A4	TJAT Interrupt Status
025	0A5	125	1A5	225	2A5	325	3A5	TJAT Reference Clock Divisor (N1) Control
026	0A6	126	1A6	226	2A6	326	3A6	TJAT Output Clock Divisor (N2) Control
027	0A7	127	1A7	227	2A7	327	3A7	TJAT Configuration
028	0A8	128	1A8	228	2A8	328	3A8	RXCE Receive Data Link 1 Control (TXCISEL = 0) / TXCI Transmit Data Link 1 Control (TXCISEL = 1)
029	0A9	129	1A9	229	2A9	329	3A9	RXCE Data Link 1 Bit Select Register (TXCISEL = 0) / TXCI Data Link 1 Bit Select Register (TXCISEL = 1)
02A	0AA	1AA	1AA	22A	2AA	32A	3AA	RXCE Receive Data Link 2 Control (TXCISEL = 0) / TXCI Transmit Data Link 2 Control (TXCISEL = 1)

02B	0AB	1AB	1AB	22B	2AB	32B	3AB	RXCE Data Link 2 Bit Select Register (TXCISEL = 0) / TXCI Data Link 2 Bit Select Register (TXCISEL = 1)
02C	0AC	12C	1AC	22C	2AC	32C	3AC	RXCE Receive Data Link 3 Control (TXCISEL = 0) / TXCI Transmit Data Link 3 Control (TXCISEL = 1)
02D	0AD	12D	1AD	22D	2AD	32D	3AD	RXCE Data Link 3 Bit Select Register (TXCISEL = 0) / TXCI Data Link 3 Bit Select Register (TXCISEL = 1)
02E	0AE	12E	1AE	22E	2AE	32E	3AE	Reserved
02F	0AF	12F	1AF	22F	2AF	32F	3AF	Reserved
030	0B0	130	1B0	230	2B0	330	3B0	E1 FRMR Framing Alignment Options
031	0B1	131	1B1	231	2B1	331	3B1	E1 FRMR Maintenance Mode Options
032	0B2	132	1B2	232	2B2	332	3B2	E1 FRMR Framing Status Interrupt Enable
033	0B3	133	1B3	233	2B3	333	3B3	E1 FRMR Maintenance/Alarm Status Interrupt Enable
034	0B4	134	1B4	234	2B4	334	3B4	E1 FRMR Framing Status Interrupt Indication
035	0B5	135	1B5	235	2B5	335	3B5	E1 FRMR Maintenance/Alarm Status Interrupt Indication
036	0B6	136	1B6	236	2B6	336	3B6	E1 FRMR Framing Status
037	0B7	137	1B7	237	2B7	337	3B7	E1 FRMR Maintenance/Alarm Status
038	0B8	138	1B8	238	2B8	338	3B8	E1 FRMR Timeslot 0 International/National Bits
039	0B9	139	1B9	239	2B9	339	3B9	E1 FRMR CRC Error Counter - LSB
03A	0BA	13A	1BA	23A	2BA	33A	3BA	E1 FRMR CRC Error Counter – MSB/Timeslot 16 Extra Bits
03B	0BB	13B	1BB	23B	2BB	33B	3BB	E1 FRMR National Bit Codeword Interrupt Enables
03C	0BC	13C	1BC	23C	2BC	33C	3BC	E1 FRMR National Bit Codeword Interrupts
03D	0BD	13D	1BD	23D	2BD	33D	3BD	E1 FRMR National Bit Codeword
03E	0BE	13E	1BE	23E	2BE	33E	3BE	E1 FRMR Frame Pulse/Alarm/V5.2 Link ID Interrupt Enables

03F	0BF	13F	1BF	23F	2BF	33F	3BF	E1 FRMR Frame Pulse/Alarm Interrupts
040	0C0	140	1C0	240	2C0	340	3C0	E1 TRAN Configuration
041	0C1	141	1C1	241	2C1	341	3C1	E1 TRAN Transmit Alarm/Diagnostic Control
042	0C2	142	1C2	242	2C2	342	3C2	E1 TRAN International Bits
043	0C3	143	1C3	243	2C3	343	3C3	E1 TRAN Extra Bits Control
044	0C4	144	1C4	244	2C4	344	3C4	E1 TRAN Interrupts Enable
045	0C5	145	1C5	245	2C5	345	3C5	E1 TRAN Interrupt Status
046	0C6	146	1C6	246	2C6	346	3C6	E1 TRAN National Bit Codeword Select
047	0C7	147	1C7	247	2C7	347	3C7	E1 TRAN National Bit Codeword
048	0C8	148	1C8	248	2C8	348	3C8	RDLC #1,2,3 Configuration*
049	0C9	149	1C9	249	2C9	349	3C9	RDLC #1,2,3 Interrupt Control*
04A	0CA	14A	1CA	24A	2CA	34A	3CA	RDLC #1,2,3 Status*
04B	0CB	14B	1CB	24B	2CB	34B	3CB	RDLC #1,2,3 Data*
04C	0CC	14C	1CC	24C	2CC	34C	3CC	RDLC #1,2,3 Primary Address Match*
04D	0CD	14D	1CD	24D	2CD	34D	3CD	RDLC #1,2,3 Secondary Address Match*
04E	0CE	14E	1CE	24E	2CE	34E	3CE	RDLC #1,2,3 Reserved*
04F	0CF	14F	1CF	24F	2CF	34F	3CF	RDLC #1,2,3 Reserved*
050	0D0	150	1D0	250	2D0	350	3D0	TDPR #1,2,3 Configuration*
051	0D1	151	1D1	251	2D1	351	3D1	TDPR #1,2,3 Upper Transmit Threshold*
052	0D2	152	1D2	252	2D2	352	3D2	TDPR #1,2,3 Lower Transmit Threshold*
053	0D3	153	1D3	253	2D3	353	3D3	TDPR #1,2,3 Interrupt Enable*
054	0D4	154	1D4	254	2D4	354	3D4	TDPR #1,2,3 Interrupt Status/UDR Clear*
055	0D5	155	1D5	255	2D5	355	3D5	TDPR #1,2,3 Transmit Data*
056	0D6	156	1D6	256	2D6	356	3D6	TDPR #1,2,3 Reserved*
057	0D7	157	1D7	257	2D7	357	3D7	TDPR #1,2,3 Reserved*
058	0D8	158	1D8	258	2D8	358	3D8	ELST Configuration
059	0D9	159	1D9	259	2D9	359	3D9	ELST Interrupt Enable/Status
05A	0DA	15A	1DA	25A	2DA	35A	3DA	ELST Idle Code
05B	0DB	15B	1DB	25B	2DB	35B	3DB	ELST Reserved
05C	0DC	15C	1DC	25C	2DC	35C	3DC	RPSC Configuration
05D	0DD	15D	1DD	25D	2DD	35D	3DD	RPSC μ P Access Status
05E	0DE	15E	1DE	25E	2DE	35E	3DE	RPSC Channel Indirect Address/Control
05F	0DF	15F	1DF	25F	2DF	35F	3DF	RPSC Channel Indirect Data Buffer

060	0E0	160	1E0	260	2E0	360	3E0	TPSC Configuration
061	0E1	161	1E1	261	2E1	361	3E1	TPSC μ P Access Status
062	0E2	162	1E2	262	2E2	362	3E2	TPSC Channel Indirect Address/Control
063	0E3	163	1E3	263	2E3	363	3E3	TPSC Channel Indirect Data Buffer
064	0E4	164	1E4	264	2E4	364	3E4	SIGX Configuration/Signaling State Change Channels 25-32
065	0E5	165	1E5	265	2E5	365	3E5	SIGX μ P Access Status/Signaling State Channels 17-24
066	0E6	166	1E6	266	2E6	366	3E6	SIGX Channel Indirect Address/Control/Signaling State Change Channels 9-16
067	0E7	167	1E7	267	2E7	367	3E7	SIGX Channel Indirect Data Buffer/ Signaling State Change Channels 1-8
068	0E8	168	1E8	268	2E8	368	3E8	PMON Control/Status
069	0E9	169	1E9	269	2E9	369	3E9	PMON FER Count
06A	0EA	16A	1EA	26A	2EA	36A	3EA	PMON FEBE Count (LSB)
06B	0EB	16B	1EB	26B	2EB	36B	3EB	PMON FEBE Count (MSB)
06C	0EC	16C	1EC	26C	2EC	36C	3EC	PMON CRC Count (LSB)
06D	0ED	16D	1ED	26D	2ED	36D	3ED	PMON CRC Count (MSB)
06E	0EE	16E	1EE	26E	2EE	36E	3EE	PMON Reserved
06F	0EF	16F	1EF	26F	2EF	36F	3EF	PMON Reserved
070	0F0	170	1F0	270	2F0	370	3F0	PRGD Control
071	0F1	171	1F1	271	2F1	371	3F1	PRGD Interrupt Enable/Status
072	0F2	172	1F2	272	2F2	372	3F2	PRGD Shift Register Length
073	0F3	173	1F3	273	2F3	373	3F3	PRGD Tap
074	0F4	174	1F4	274	2F4	374	3F4	PRGD Error Insertion
075	0F5	175	1F5	275	2F5	375	3F5	PRGD Reserved
076	0F6	176	1F6	276	2F6	376	3F6	PRGD Reserved
077	0F7	177	1F7	277	2F7	377	3F7	PRGD Reserved
078	0F8	178	1F8	278	2F8	378	3F8	PRGD Pattern Insertion #1
079	0F9	179	1F9	279	2F9	379	3F9	PRGD Pattern Insertion #2
07A	0FA	17A	1FA	27A	2FA	37A	3FA	PRGD Pattern Insertion #3
07B	0FB	17B	1FB	27B	2FB	37B	3FB	PRGD Pattern Insertion #4
07C	0FC	17C	1FC	27C	2FC	37C	3FC	PRGD Pattern Detector #1
07D	0FD	17D	1FD	27D	2FD	37D	3FD	PRGD Pattern Detector #2
07E	0FE	17E	1FE	27E	2FE	37E	3FE	PRGD Pattern Detector #3
07F	0FF	17F	1FF	27F	2FF	37F	3FF	PRGD Pattern Detector #4
3FF-7FF								Reserved for Test

For all register accesses, CSB must be low.

- * access to each RDLC or TDPR block must be selected using the RDLCSEL[1:0] and TDPRSEL[1:0] register bits in the Framers Reset Register. These bits do NOT have default values and must be set to defined values before proper operation can be achieved.

10 NORMAL MODE REGISTER DESCRIPTION

Normal mode registers are used to configure and monitor the operation of the EOCTL. Normal mode registers (as opposed to test mode registers) are selected when A[10] is low.

Notes on Normal Mode Register Bits:

1. Writing values into unused register bits has no effect. However, to ensure software compatibility with future, feature-enhanced versions of the product, unused register bits must be written with logic zero. Reading back unused bits can produce either a logic one or a logic zero; hence, unused register bits should be masked off by software when read.
2. All configuration bits that can be written into can also be read back. This allows the processor controlling the EOCTL to determine the programming state of the block.
3. Writable normal mode register bits are cleared to logic zero upon reset unless otherwise noted.
4. Writing into read-only normal mode register bit locations does not affect EOCTL operation unless otherwise noted.
5. Certain register bits are reserved. These bits are associated with megacell functions that are unused in this application. To ensure that the EOCTL operates as intended, reserved register bits must only be written with logic zero. Similarly, writing to reserved registers should be avoided.

Registers 000H, 080H, 100H, 180H, 200H, 280H, 300H, 380H:
Receive Line Options

Bit	Type	Function	Default
Bit 7	R/W	FIFOBYP	0
Bit 6	R/W	UNF	0
Bit 5	R/W	WORDERR	0
Bit 4	R/W	CNTNFAS	0
Bit 3	R/W	AUTOYELLOW	0
Bit 2	R/W	AUTORED	0
Bit 1	R/W	AUTOOOF	0
Bit 0	R/W	AUTOUPDATE	0

These registers allow software to configure the receive functions of each framer.

FIFOBYP:

The FIFOBYP bit enables the receive line data to be bypassed around the RJAT FIFO to the ingress outputs. When jitter attenuation is not being used, the RJAT FIFO can be bypassed to reduce the delay through the receiver section by typically 24 bits. When FIFOBYP is set to logic 1, the RJAT FIFO is bypassed. When FIFOBYP is set to logic 0, the receive line data passes through the RJAT FIFO.

UNF:

The UNF bit allows the framer to operate with unframed E1 data. When UNF is set to logic 1, the E1-FRMR is disabled and the recovered data passes through the receiver section of the framer without frame or channel alignment. While UNF is held at logic 1, the E1-FRMR continues to operate and detects and integrates AIS alarm, the SIGX holds its signaling frozen, and the AUTO_OOF function, if enabled, will consider OOF to be declared. When UNF is set to logic 0, the E1-FRMR operates normally, searching for frame alignment on the incoming data.

WORDERR:

The WORDERR bit determines how frame alignment signal (FAS) errors are reported. When WORDERR is logic 1, one or more errors in the seven bit FAS word results in a single framing error count. When WORDERR is logic 0, each error in a FAS word results in a single framing error count.

CNTNFAS:

When the CNTNFAS bit is a logic 1, a zero in bit 2 of time slot 0 of non-frame alignment signal (NFAS) frames results in an increment of the framing error count. If WORDERR is also a logic 1, the word is defined as the eight bits comprising the FAS pattern and bit 2 of time slot 0 of the next NFAS frame. When the CNTNFAS bit is a logic 0, only errors in the FAS affect the framing error count.

AUTOYELLOW:

When the AUTOYELLOW bit is set to logic 1, the RAI bit in the transmit stream shall be set to a logic 1 for the duration of a receive loss of frame alignment, and AIS. Optionally, using the G706RAI bit, the AUTOYELLOW trigger list can be expanded to include off-line CRC frame search and the assertion of CRC to non-CRC interworking by the E1-FRMR. When AUTOYELLOW is set to logic 0, RAI will only be transmitted when the RAI bit is set in the E1-TRAN Transmit Alarm/Diagnostic Control register.

AUTORED:

The AUTORED bit allows global trunk conditioning to be applied to the ingress data stream, ID[x], immediately upon declaration of RED carrier failure alarm. When AUTORED is set to logic 1, the data on ID[x] for each channel is replaced with the data contained in the data trunk conditioning registers within RPSC while RED CFA is declared. When AUTORED is set to logic 0, the ingress data is not automatically conditioned when RED CFA is declared.

AUTOOOF:

The AUTOOOF bit allows global trunk conditioning to be applied to the ingress data stream, ID[x], immediately upon declaration of out of frame (OOF). When AUTOOOF is set to logic 1, then while OOF is declared, the data on ID[x] for each channel is replaced with the data contained in the data trunk conditioning registers within RPSC. When AUTOOOF is set to logic 0, the ingress data is not automatically conditioned by RPSC when OOF is declared. However, if the ELST is not bypassed, then the ELST idle code will still be inserted in channel data while OOF is declared. RPSC data and signaling trunk conditioning overwrites the ELST idle code.

AUTOUPDATE:

When AUTOUPDATE is logic 1, the PMON and PRGD registers in the appropriate framer are automatically updated once every 8000 receive frame periods, i.e. once a second, timed to the receive line. If the INTE bit is set in the PMON Interrupt/Enable register, then the PMON will interrupt the

microprocessor as soon as the results are available in the PMON registers. The results will then be available for reading for the next second, until they are overwritten by the next update. The OVR bit in the PMON Interrupt/Enable register indicates such an overwrite by going to logic 1. When AUTOUPDATE is logic 1, the microprocessor can still initiate additional updates by writing to any of the PMON counter registers or to the Revision/Chip ID/Global PMON Update register (register 00CH), but care should be taken not to initiate a second update in a given PMON before the first is completed, which can lead to unpredictable results.

Similarly, the XFERE bit in the PRGD Interrupt Enable/Status Register may be set, allowing the PRGD to interrupt the microprocessor when a PRGD update has been completed. PRGD and PMON perform updates in the same number of clock cycles, so only one of the two interrupts need be enabled. The OVR bit in the same register indicates that data has been overwritten without being read. As is the case for the PMON, additional updates of the PRGD may be initiated by the microprocessor via the Revision/Chip ID/Global PMON Update register, and care must be taken to avoid initiating an update while another update is in progress.

Registers 001H, 081H, 101H, 181H, 201H, 281H, 301H, 381H: Ingress Interface Options

Bit	Type	Function	Default
Bit 7	R/W	RLCLKFALL	0
Bit 6	R/W	ISIG_EN	1
Bit 5	R/W	ICLKSEL	0
Bit 4	R/W	MIBUS2	0
Bit 3	R/W	MIBUS_OUTEN	0
Bit 2	R/W	OOSMFAIS	0
Bit 1	R/W	TRKEN	0
Bit 0	R/W	RXMTKC	0

These registers allow software to configure the ingress interface format of each framer.

RLCLKFALL:

The RLCLKFALL bit enables the receive line interface to be sampled on the falling RLCLK[x] edge. When RLCLKFALL is set to logic 1, RLD[x] is sampled on the falling RLCLK[x] edge. When RLCLKFALL is set to logic 0, RLD[x] is sampled on the rising RLCLK[x] edge.

ISIG_EN:

This bit configures the ingress interface as shown below when Clock Slave mode is enabled (ICLKSLV=1 in the Receive Backplane Configuration register):

ISIG_EN	Mode
0	Clock Slave: ICLK Reference
1	Clock Slave: External Signaling/Multiplexed backplane

ICLKSEL:

The ICLKSEL bit is active when the Clock Slave: ICLK Reference mode is enabled, and the ICLK[x] pin is used as a timing reference. When ICLKSEL is a logic 1, ICLK[x] is a jitter attenuated version of the 2.048 MHz receive line clock, RLCLK[x]. When ICLKSEL is a logic 0, ICLK[x] is an 8 kHz timing

reference that is generated by dividing the jitter attenuated version of RLCLK[x] by 256.

MIBUS2:

When configured for the multiplexed-bus mode of operation, MIBUS2 is used to select which multiplexed bus the corresponding octant interfaces to. When MIBUS2 is a logic 1, the ingress signals are directed towards the second multiplexed bus (MID[2], MISIG[2], MIFP[2]). When MIBUS2 is a logic 0, the ingress signals are directed towards the first multiplexed bus (MID[1], MISIG[1], MIFP[1]).

MIBUS_OUTEN:

When configured for the multiplexed-bus mode of operation, MIBUS_OUTEN is used to allow the octant to assert its data stream on the multiplexed bus. When MIBUS_OUTEN is logic 0, the octant will not assert its data stream on the multiplexed bus. When MIBUS_OUTEN is logic 1, the octant will assert its data stream on the multiplexed bus. This bit should be left at logic 0 until the multiplexed bus is fully configured via the registers in the Receive Backplane registers.

OOSMFAIS:

The OOSMFAIS bit controls the receive backplane signaling trunk conditioning in an out of signaling multiframe condition. If OOSMFAIS is set to a logic 0, an OOSMF indication from the E1-FRMR does not affect the ISIG[x] output. When OOSMFAIS is a logic 1, an OOSMF indication from the E1-FRMR will cause the ISIG[x] output to be set to all 1's. This bit affects the corresponding timeslot of the MISIG[x] data stream in the same manner if the multiplexed backplane is enabled.

TRKEN:

The TRKEN bit enables receive trunk conditioning upon an out-of-frame condition. If TRKEN is logic 1, the contents of the ELST Idle Code register are inserted into all time slots (including TS0 and TS16) of ID[x] if the framer is out-of-basic frame (i.e. the OOF status bit is logic 1). The TRKEN bit only has effect if the EOCTL is configured in Clock Slave mode. For both states of TRKEN, receive trunk conditioning can still be performed on a per-timeslot basis via the RPSC Data Trunk Conditioning and Signaling Trunk Conditioning registers. This bit affects the corresponding timeslot of the MID[x] data stream in the same manner if the multiplexed backplane is enabled.

RXMTKC:

The RXMTKC bit allows global trunk conditioning to be applied to the received data and signaling streams, ID[x] and ISIG[x]. When RXMTKC is set to logic 1, the data on ID[x] for each channel is replaced with the data contained in the data trunk conditioning registers within RPSC; similarly, the signaling data on ISIG[x] for each channel is replaced with the data contained in the signaling trunk conditioning registers (note that the OOSMFAIS function takes precedence over the RXMTKC function). When RXMTKC is set to logic 0, the data and signaling signals are modified on a per-channel basis in accordance with the control bits contained in the per-channel control registers within the RPSC. This bit affects the corresponding timeslot of the MID[x] data stream in the same manner if the multiplexed backplane is enabled.

Registers 002H, 082H, 102H, 182H, 202H, 282H, 302H, 382H: Transmit Interface Configuration

Bit	Type	Function	Default
Bit 7	R/W	FIFOBYP	0
Bit 6	R/W	TAISEN	0
Bit 5		Unused	X
Bit 4	R/W	PATHCRC	0
Bit 3		Unused	X
Bit 2	R/W	EFPRISE	0
Bit 1		Unused	X
Bit 0	R/W	TLCLKRISE	0

These registers select the active clock edges of the transmit line and egress interfaces.

FIFOBYP:

The FIFOBYP bit enables the egress data to be bypassed around the TJAT FIFO to the transmit line outputs. When jitter attenuation is not being used, the TJAT FIFO can be bypassed to reduce the delay through the transmitter section by typically 24 bits. When FIFOBYP is set to logic 1, the TJAT FIFO is bypassed. When FIFOBYP is set to logic 0, the egress data passes through the TJAT FIFO. The TJAT FIFO is always bypassed when the Clock Master egress modes are active, so the FIFOBYP bit should not be set when the ECLKSLV bit in the Transmit Backplane Configuration Register is logic 0.

TAISEN:

The TAISEN bit enables the interface to generate an unframed all-ones AIS alarm on the TLD[x] pin. When TAISEN is set to logic 1, the unipolar TLD[x] output is forced to all-ones. When TAISEN is set to logic 0, the TLD[x] output operates normally.

PATHCRC:

The PATHCRC bit allows upstream block errors to be preserved in the transmit CRC bits. If PATHCRC is a logic 1, the CRC-4 bits are modified to reflect any bit values in ED[x] which have changed prior to transmission. When PATHCRC is set to logic 0, a new CRC-4 value overwrites the incoming CRC-4 word. For the PATHCRC bit to be effective, the CRC

multiframe alignment must be provided on CEFB by setting FPTYP bit of the Transmit Backplane Frame Pulse Configuration register to logic 1. Otherwise, the identification of the incoming CRC-4 bits would be impossible. The PATHCRC bit only takes effect when the INDIS or FDIS bit of the TRAN Configuration register is logic 1.

EFPRISE :

The EFPRISE bit enables the egress frame pulse to be updated on the rising CECLK edge. When EFPRISE is set to logic 1, EFP[x] is updated on the rising CECLK edge. When EFPRISE is set to logic 0, EFP[x] is updated on the falling CECLK edge. This register bit is only active when Clock Slave: EFP Enabled mode is selected.

TLCLKRISE:

The TLCLKRISE bit enables the transmit line interface to be updated on the rising TLCLK[x] edge. When TLCLKRISE is set to logic 1, TLD[x] is updated on the rising TLCLK[x] edge. When TLCLKRISE is set to logic 0, TLD[x] is updated on the falling TLCLK[x] edge.

Registers 003H, 083H, 103H, 183H, 203H, 283H, 303H, 383H: Egress Interface Options

Bit	Type	Function	Default
Bit 7		Unused	X
Bit 6	R/W	ESIG_EN	1
Bit 5		Unused	X
Bit 4	R/W	MEBUS2	0
Bit 3		Unused	X
Bit 2		Unused	X
Bit 1		Unused	X
Bit 0	R/W	ESFP	0

These registers allow software to configure the egress interface format of each framer.

ESIG_EN:

This bit configures the egress interface as shown below when Clock Slave mode is enabled (ECLKSLV=1 in the Transmit Backplane Configuration register):

ESIG_EN	Mode
0	Clock Slave: EFP Enabled
1	Clock Slave: External Signaling

MEBUS2:

When configured for the multiplexed-bus mode of operation, MEBUS2 is used to select which multiplexed bus the corresponding octant interfaces to. When MEBUS2 is a logic 1, the egress signals are taken from the second multiplexed bus (MED[2], MESIG[2]). When MEBUS2 is a logic 0, the ingress signals are taken from the first multiplexed bus (MED[1], MESIG[1]).

ESFP:

The ESFP bit selects the output signal seen on EFP[x]. When set to logic 1, the EFP[x] output goes high on bit 1 of frame 1 of every 16 frame signaling multiframe and goes low following bit 1 of frame 1 of every 16 frame CRC

multiframe. When ESFP is set to logic 0, the EFP[x] output pulses high during each framing bit (i.e. every 256 bits).

Registers 004H, 084H, 104H, 184H, 204H, 284H, 304H, 384H: Transmit Timing Options

Bit	Type	Function	Default
Bit 7	R/W	HSBPSEL	0
Bit 6		Unused	X
Bit 5		Unused	X
Bit 4	R/W	OCLKSEL	0
Bit 3	R/W	PLLREF1	0
Bit 2	R/W	PLLREF0	1
Bit 1	R/W	CTCLKSEL	0
Bit 0	R/W	SMCLKO	0

These registers allow software to configure the options of the transmit timing section.

HSBPSEL:

The HSBPSEL bit selects the source of the high-speed clock used in the ELST, SIGX, TPSC, and RPSC blocks. This allows the EOCTL to interface to higher rate backplanes (>2.048MHz) that are externally gapped. Note, however, that the externally gapped instantaneous backplane clock frequency must not exceed 3.0MHz. When HSBPSEL is set to logic 1, the 49.152MHz XCLK input signal is divided by 2 and used as the high-speed clock to these blocks. XCLK must be driven with 49.152MHz. When HSBPSEL is set to logic 0, XCLK input signal is divided by 3 and used as the high-speed clock to these blocks.

OCLKSEL:

The OCLKSEL bit selects the source of the Transmit Digital Jitter Attenuator FIFO output clock signal. When OCLKSEL is set to logic 1, the TJAT FIFO output clock is driven with the CTCLK input clock, and the SYNC bit must be set to logic 0 in the TJAT Configuration Register (Registers 01BH, 09BH, 11BH, 19BH, 21BH, 29BH, 31BH, 39BH.) When OCLKSEL is set to logic 0, the TJAT FIFO output clock is driven with the internal smooth 2.048MHz clock selected by the CTCLKSEL and SMCLKO bits.

PLLREF1, PLLREF0:

The PLLREF[1:0] bits select the source of the Transmit Digital Jitter Attenuator phase locked loop reference signal as follows:

PLLREF1	PLLREF0	Source of PLL Reference
0	0	Transmit clock used by the TRAN when the Clock Slave egress modes are active. (either the 2.048MHz)
0	1	CECLK input
1	0	RLCLK[x] input
1	1	CTCLK input

PLLREF[1:0] = 00 when the Clock Master egress modes are active is a reserved setting, and should not be used.

CTCLKSEL, SMCLKO:

The CTCLKSEL and SMCLKO bits select the source of the internal smooth 2.048MHz output clock signals. When CTCLKSEL and SMCLKO are set to logic 0, the internal 2.048MHz clock signal is driven by the smooth 2.048MHz clock source generated by TJAT. When CTCLKSEL is set to logic 0 and SMCLKO is set to logic 1, the internal 2.048MHz clock signal is driven by the CTCLK input signal divided by 8. When CTCLKSEL and SMCLKO are set to logic 1, the internal 2.048MHz clock signal is driven by the XCLK input signal divided by 24. The combination of CTCLKSEL set to logic 1 and SMCLKO set to logic 0 should not be used.

The following table provides examples of the most common combinations of settings:

Table 3 - Transmit Line Clock Options

Mode Description	Bit Settings	Transmit Line Clock Options
Default Setting Clock Slave: External Signaling Egress data timed to CECLK	ECLKSLV =1 ESIG_EN =1 HSBPSEL =0 OCLKSEL =0	When PLLREF[1:0]=0X, TLCLK[x] is a jitter-attenuated clock referenced to CECLK. This is the default.
TJAT FIFO decouples the Egress interface (timed to CECLK) from the Transmit Line side (timed to jitter-attenuated TLCLK[x]).	CTCLKSEL =0 SMCLKO =0	When PLLREF[1:0]=10, TLCLK[x] is a jitter-attenuated clock referenced to RLCLK[x]
The TJAT PLL is used to generate TLCLK[x] from a reference clock.		When PLLREF[1:0]=11, TLCLK[x] is a jitter-attenuated clock referenced to CTCLK[x]

Mode Description	Bit Settings	Transmit Line Clock Options
<p>Clock Slave: EFP Enabled Egress data timed to CECLK</p> <p>TJAT FIFO decouples the Egress interface (timed to CECLK) from the Transmit Line side (timed to jitter-attenuated TLCLK[x]).</p> <p>The TJAT PLL is used to generate TLCLK[x] from a reference clock.</p>	<p>ECLKSLV =1 ESIG_EN =0 HSBPSEL =0 OCLKSEL =0 CTCLKSEL =0 SMCLKO =0</p>	<p>When PLLREF[1:0]=0X, TLCLK[x] is a jitter-attenuated clock referenced to CECLK.</p> <p>When PLLREF[1:0]=10, TLCLK[x] is a jitter-attenuated clock referenced to RLCLK[x]</p> <p>When PLLREF[1:0]=11, TLCLK[x] is a jitter-attenuated clock referenced to CTCLK</p>
<p>Clock Slave with 2.048 MHz CECLK. Egress data timed to internally-gapped CECLK.</p> <p>TJAT FIFO decouples the Egress interface (timed to gapped CECLK) from the Transmit Line side (timed to jitter-attenuated TLCLK[x]).</p> <p>The TJAT PLL is used to generate TLCLK[x] from a reference clock.</p>	<p>ECLKSLV =1 HSBPSEL =1 OCLKSEL =0 CTCLKSEL =0 SMCLKO =0</p>	<p>When PLLREF[1:0]=00, TLCLK[x] is a jitter-attenuated clock referenced to the internally gapped CECLK. See note 1.</p> <p>When PLLREF[1:0]=01, TLCLK[x] is a jitter-attenuated clock referenced to CECLK. See note 2.</p> <p>When PLLREF[1:0]=10, TLCLK[x] is a jitter-attenuated clock referenced to RLCLK[x]</p> <p>When PLLREF[1:0]=11, TLCLK[x] is a jitter-attenuated clock referenced to CTCLK</p>
<p>Clock Slave with Egress data timed to an externally gapped CECLK.</p> <p>TJAT FIFO decouples the Egress interface (timed to CECLK) from the Transmit Line side (timed to jitter-attenuated TLCLK[x]).</p> <p>The TJAT PLL is used to generate TLCLK[x] from a reference clock.</p>	<p>ECLKSLV =1 HSBPSEL =1 OCLKSEL =0 CTCLKSEL =0 SMCLKO =0</p>	<p>When PLLREF[1:0]=0X, TLCLK[x] is a jitter-attenuated clock referenced to CECLK. See note 2.</p> <p>When PLLREF[1:0]=10, TLCLK[x] is a jitter-attenuated clock referenced to RLCLK[x]</p> <p>When PLLREF[1:0]=11, TLCLK[x] is a jitter-attenuated clock referenced to CTCLK</p>

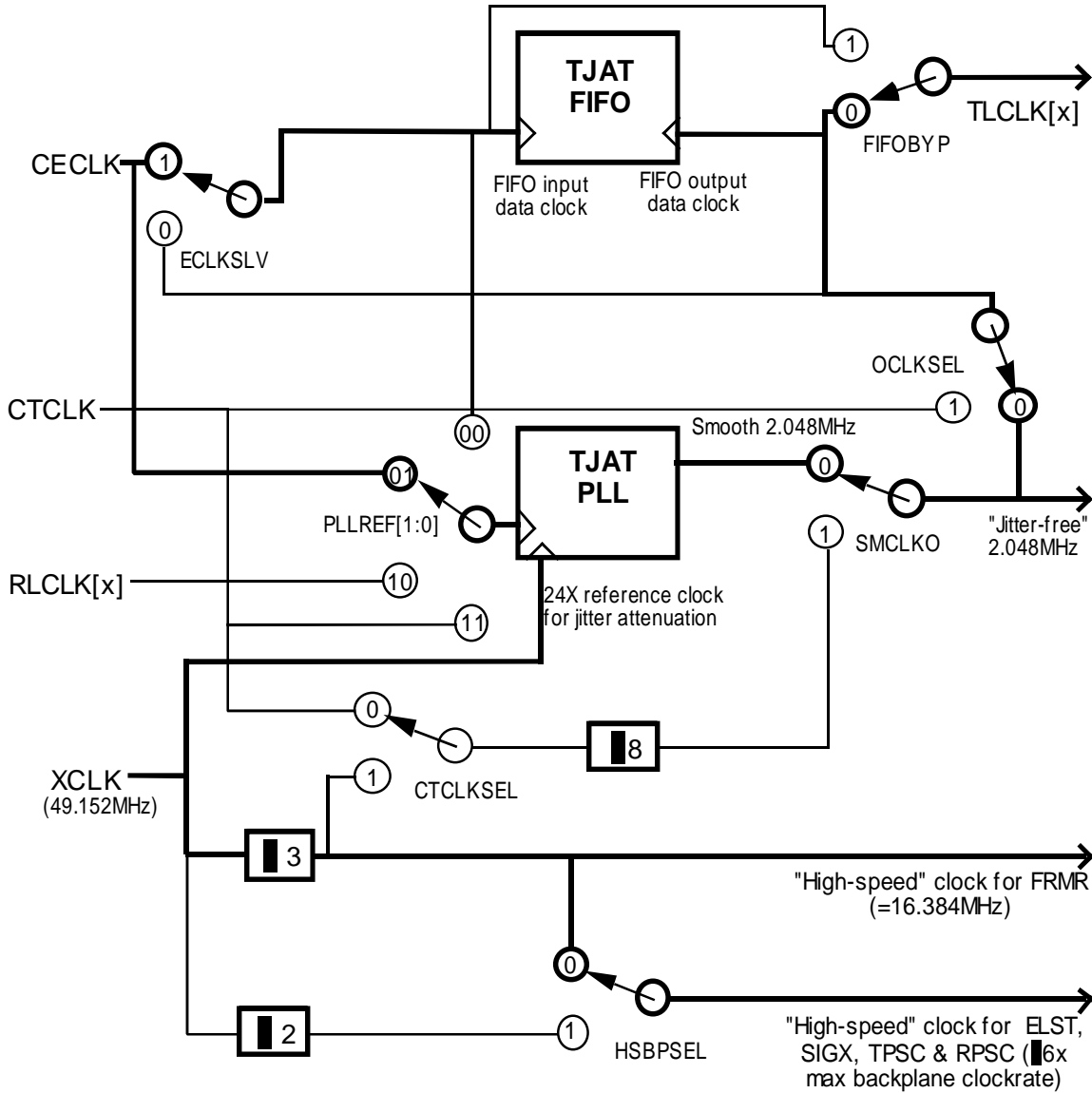
Mode Description	Bit Settings	Transmit Line Clock Options
<p>Clock Slave with Egress data timed to CECLK. CECLK may be a normal, internally gapped, or externally gapped clock as shown in previous examples.</p> <p>TJAT FIFO decouples the Egress interface (timed to CECLK) from the Transmit Line side (timed to TLCLK[x]).</p> <p>The TJAT PLL is unused. The SYNC, CENT, and LIMIT in the TJAT configuration must be set to logic 0.</p>	<p>ECLKSLV =1 HSBPSEL =* PLLREF[1:0] =XX</p> <p>* See note 2</p>	<p>When OCLKSEL = 1, TLCLK[x] = CTCLK.</p> <p>When OCLKSEL = 0, SMCLKO = 1, and CTCLKSEL =0, then TLCLK[x] = CTCLK÷8.</p> <p>When OCLKSEL = 0, SMCLKO = 1, and CTCLKSEL =1, then TLCLK[x] = XCLK÷24.</p>
<p>Clock Slave with Egress data timed to 2.048 MHz CECLK.</p> <p>TJAT FIFO is bypassed, so that TLCLK[x] is directly driven by CECLK.</p>	<p>ECLKSLV =1 HSBPSEL =0 FIFOBYP =1 OCLKSEL =X PLLREF[1:0] =XX CTCLKSEL =0 SMCLKO =0</p>	
<p>Clock Master: Full E1 or NxTS. Egress data is clocked by TLCLK[x], and TJAT FIFO is automatically bypassed.</p> <p>In NxTS mode, a gapped version of TLCLK[x] is provided on ECLK[x], which only clocks during the desired channels.</p> <p>The TJAT PLL is used to generate TLCLK[x] from a reference clock.</p>	<p>ECLKSLV =0 HSBPSEL =0 FIFOBYP =0 OCLKSEL =0 CTCLKSEL =0 SMCLKO =0</p>	<p>The setting PLLREF[1:0]=00 is reserved and should not be used.</p> <p>When PLLREF[1:0]=01, TLCLK[x] is a jitter-attenuated clock referenced to CECLK.</p> <p>When PLLREF[1:0]=10, TLCLK[x] is a jitter-attenuated clock referenced to RLCLK[x] (See Note 3)</p> <p>When PLLREF[1:0]=11, TLCLK[x] is a jitter-attenuated clock referenced to CTCLK</p>
<p>Clock Master: Full E1 or NxTS Egress data is clocked by TLCLK[x], and TJAT FIFO is automatically bypassed.</p> <p>In NxTS mode, a gapped version of TLCLK[x] is provided on ECLK[x], which only clocks during the desired channels.</p> <p>The TJAT PLL is unused.</p>	<p>ECLKSLV =0 HSBPSEL =0 FIFOBYP =0 CECLK2M =0 PLLREF[1:0] =XX</p>	<p>When OCLKSEL = 1, TLCLK[x] = CTCLK.</p> <p>When OCLKSEL = 0, SMCLKO = 1, and CTCLKSEL =0, then TLCLK[x] = CTCLK÷8.</p> <p>When OCLKSEL = 0, SMCLKO = 1, and CTCLKSEL =1, then TLCLK[x] = XCLK÷24.</p>

Notes:

1. When an externally gapped clock is used as the TJAT PLL reference, the TJAT divisors N1 and N2 should be set so that the gapping vanishes. If the gapping introduces no 8kHz jitter, then a setting of FFH (representing division by 256) will be acceptable.
2. Whenever CECLK is used and is not a regular 2.048 MHz clock, HSBPSEL must be set to logic 1
3. If operating in "Mixed Mode", with some Framers in Clock Master Mode and other framers operating in Clock Slave mode, while the Clock Master Mode PLL is referenced to RLCLK[x], CEFP should be removed after the framers in Clock Slave Mode are aligned.

Figure 16 illustrates the various bit setting options, with the default condition highlighted.

Figure 16 - Transmit Timing Options



Registers 005H, 085H, 105H, 185H, 205H, 285H, 305H, 385H: Interrupt Source #1

Bit	Type	Function	Default
Bit 7	R	PMON	X
Bit 6	R	TRAN	X
Bit 5	R	FRMR	X
Bit 4	R	PRGD	X
Bit 3	R	ELST	X
Bit 2	R	RDLC#1	X
Bit 1	R	RDLC#2	X
Bit 0	R	RDLC#3	X

These registers allow software to determine the block which produced the interrupt on the INTB output pin.

Reading this register does not remove the interrupt indication; the corresponding block's interrupt status register must be read to remove the interrupt indication.

Registers 006H, 086H, 106H, 186H, 206H, 286H, 306H, 386H: Interrupt Source #2

Bit	Type	Function	Default
Bit 7	R	BTIF	X
Bit 6		Unused	X
Bit 5	R	TJAT	X
Bit 4	R	RJAT	X
Bit 3	R	TDPR#1	X
Bit 2	R	TDPR#2	X
Bit 1	R	TDPR#3	X
Bit 0	R	SIGX	X

These registers allow software to determine the block which produced the interrupt on the INTB output pin.

Reading these registers does not remove the interrupt indication; the corresponding block's interrupt status register must be read to remove the interrupt indication.

Registers 007H, 087H, 107H, 187H, 207H, 287H, 307H, 387H: Diagnostics

Bit	Type	Function	Default
Bit 7		Unused	X
Bit 6		Unused	X
Bit 5		Unused	X
Bit 4	R/W	LINELB	0
Bit 3	R/W	V52DIS	0
Bit 2	R/W	DDLB	0
Bit 1	R/W	RAIS	0
Bit 0	R/W	TXDIS	0

These registers allow software to enable the diagnostic mode of each framer.

LINELB:

The LINELB bit selects the line loopback mode, where the receive line clock and data, RLCLK[x] and RLD[x] (with or without jitter attenuation by the RJAT block) are internally connected to the transmit line interface, TLCLK[x] and TLD[x]. When LINELB is set to logic 1, the line loopback mode is enabled. When LINELB is set to logic 0, the line loopback mode is disabled.

V52DIS:

When V52DIS is set to logic 1, the channel is placed in a low-power mode where the number of available HDLC channels is reduced from three to one. TDPR#2, TDPR#3, RDLC#2, and RDLC#3 are disabled and unavailable in this mode. When V52DIS is set to logic 0, all three HDLC channels are available for use.

DDLB:

The DDLB bit selects the diagnostic digital loopback mode, where the transmit line interface, TLCLK[x] and TLD[x] are internally connected to the receive line interface, RLCLK[x] and RLD[x]. When DDLB is set to logic 1, the diagnostic digital loopback mode is enabled. When DDLB is set to logic 0, the diagnostic digital loopback mode is disabled.

RAIS:

When a logic 1, the RAIS bit forces all ones into the ID[x] data stream. The ISIG[x] data stream will freeze at the current valid signaling. This capability is

provided to indicate the unavailability of the line when line loopback is enabled.

TXDIS:

The TXDIS bit provides a method of suppressing the output of the basic transmitter. When TXDIS is set to logic 1, the TRAN output is disabled by forcing it to logic 0. When TXDIS is set to logic 0, the TRAN output is not suppressed.

Register 008H: EOCTL Master Test

Bit	Type	Function	Default
Bit 7	R/W	A_TM[9]	X
Bit 6	R/W	A_TM[8]	X
Bit 5	R/W	A_TM[7]	X
Bit 4	W	PMCTST	X
Bit 3	W	DBCTRL	0
Bit 2	R/W	IOTST	0
Bit 1	W	HIZDATA	0
Bit 0	R/W	HIZIO	0

This register is used to select EOCTL test features. All bits, except for PMCTST and A_TM[9:7] are reset to zero by a hardware reset of the EOCTL; a software reset of the EOCTL does not affect the state of the bits in this register. Refer to the Test Features Description section for more information.

A_TM[9]:

The state of the A_TM[9] bit internally replaces the input address line A[9] when PMCTST is set. This allows for more efficient use of the PMC manufacturing test vectors.

A_TM[8]:

The state of the A_TM[8] bit internally replaces the input address line A[8] when PMCTST is set. This allows for more efficient use of the PMC manufacturing test vectors.

A_TM[7]:

The state of the A_TM[7] bit internally replaces the input address line A[7] when PMCTST is set. This allows for more efficient use of the PMC manufacturing test vectors.

PMCTST:

The PMCTST bit is used to configure the EOCTL for PMC's manufacturing tests. When PMCTST is set to logic 1, the EOCTL microprocessor port becomes the test access port used to run the PMC manufacturing test vectors. The PMCTST bit is logically "ORed" with the IOTST bit, and is cleared by setting CSB to logic 1.

DBCTRL:

The DBCTRL bit is used to pass control of the data bus drivers to the CSB pin. When the DBCTRL bit is set to logic one and either IOTST or PMCTST are logic one, the CSB pin controls the output enable for the data bus. While the DBCTRL bit is set, holding the CSB pin high (IOTST must be set to logic 1 since CSB high resets PMCTST) causes the EOCTL to drive the data bus and holding the CSB pin low tristates the data bus. The DBCTRL bit overrides the HIZDATA bit. The DBCTRL bit is used to measure the drive capability of the data bus driver pads.

IOTST:

The IOTST bit is used to allow normal microprocessor access to the test registers and control the test mode in each block in the EOCTL for board level testing. When IOTST is a logic 1, all blocks are held in test mode and the microprocessor may write to a block's test mode 0 registers to manipulate the outputs of the block and consequently the device outputs (refer to the "Test Mode 0 Details" in the "Test Features" section).

HIZIO,HIZDATA:

The HIZIO and HIZDATA bits control the tristate modes of the EOCTL. While the HIZIO bit is a logic 1, all output pins of the EOCTL except the data bus are held in a high-impedance state. The microprocessor interface is still active. While the HIZDATA bit is a logic 1, the data bus is also held in a high-impedance state which inhibits microprocessor read cycles.

Register 009H: EOCTL Revision/Chip ID/Global PMON Update

Bit	Type	Function	Default
Bit 7	R	TYPE[2]	0
Bit 6	R	TYPE[1]	1
Bit 5	R	TYPE[0]	1
Bit 4	R	ID[4]	0
Bit 3	R	ID[3]	0
Bit 2	R	ID[2]	0
Bit 1	R	ID[1]	1
Bit 0	R	ID[0]	1

The version identification bits, ID[4:0], are set to a fixed value representing the version number of the EOCTL.

The chip identification bits, TYPE[2:0], are set to binary 011 representing the EOCTL.

Writing to this register causes all performance monitor and pattern generator/detector counters to be updated simultaneously.

Registers 00AH, 08AH, 10AH, 18AH, 20AH, 28AH, 30AH, 38AH: Data Link Micro Select/Framer Reset

Bit	Type	Function	Default
Bit 7	R/W	RDLCSEL[1]	X
Bit 6	R/W	RDLCSEL[0]	X
Bit 5	R/W	TDPRSEL[1]	X
Bit 4	R/W	TDPRSEL[0]	X
Bit 3	R/W	TXCISEL	X
Bit 2		Unused	X
Bit 1		Unused	X
Bit 0	R/W	RESET	0

RDLCSEL[1:0]:

The RDLCSEL[1:0] bits select which of the three receive datalink controllers (RDLC #1, RDLC #2, or RDLC #3) is to be accessed on the microprocessor interface. **These bits must be set to defined values before using the receive datalink controllers.**

Table 4 - Receive Datalink Controller Selection

RDLCSEL[1:0]	Rx HDLC Controller selected
00	RDLC #1
01	RDLC #2
10	RDLC #3
11	Reserved

TDPRSEL[1:0]:

The TDPRSEL[1:0] bits select which of the three transmit datalink controllers (TDPR #1, TDPR #2, or TDPR #3) is to be accessed on the microprocessor interface. **These bits must be set to defined values before using the transmit datalink controllers.**

Table 5 - Transmit Datalink Controller Selection

TDPRSEL[1:0]	Tx HDLC Controller selected
00	TDPR #1
01	TDPR #2
10	TDPR #3
11	Reserved

TXCISEL:

The TXCISEL bit configures the EOCTL to enable read/write access to either the TXCI or RXCE blocks. When TXCI is logic 1, read/write access to the TXCI register bits is enabled. When TXCI is logic 0, read/write access to the RXCE register bits is enabled. **This bit must be set a defined value before using the RXCE or TXCI blocks.**

RESET:

The RESET bit implements a software reset. If the RESET bit is a logic 1, the individual framer is held in reset. This bit is not self-clearing; therefore, a logic 0 must be written to bring the framer out of reset. Holding the framer in a reset state effectively puts it into a low power, stand-by mode. A hardware reset clears the RESET bit, thus deasserting the software reset.

Register 00BH: Interrupt ID

Bit	Type	Function	Default
Bit 7	R	INT8	X
Bit 6	R	INT7	X
Bit 5	R	INT6	X
Bit 4	R	INT5	X
Bit 3	R	INT4	X
Bit 2	R	INT3	0
Bit 1	R	INT2	0
Bit 0	R	INT1	0

These registers provide interrupt identification. The E1 framer(s) which caused the INTB output to transition low can be identified by reading this register. The INTx bit is high if the xth framer caused the interrupt. A procedure for identifying the source of an interrupt can be found in the Operations section.

INT8, INT7, INT6, INT5, INT4, INT3, INT2, INT1:

The INTx bit will be high if the xth E1 framer (the E1 framer corresponding to the input pin RLCLK[x]) causes the INTB pin to transition low.

Registers 00CH, 08CH, 10CH, 18CH, 20CH, 28CH, 30CH, 38CH: Pattern Generator/Detector Positioning/Control

Bit	Type	Function	Default
Bit 7		Unused	X
Bit 6		Unused	X
Bit 5		Unused	X
Bit 4		Unused	X
Bit 3		Unused	X
Bit 2	R/W	RXPATGEN	0
Bit 1	R/W	UNF_GEN	0
Bit 0	R/W	UNF_DET	0

This register modifies the way in which the PRGD is used by the TPSC and RPSC. More information on using PRGD is available in the Operations section.

RXPATGEN:

The Receive Pattern Generate (RXPATGEN) bit controls the location of the pattern generator/detector. When RXPATGEN is set to logic 1, the pattern generator is inserted in the receive path and the pattern detector is inserted in the transmit path. Timeslot channels from the receive line may be overwritten with generated patterns before appearing on the ingress interface, and timeslot channels from the egress interface may be checked for the generated pattern before appearing on the transmit line. When RXPATGEN is set to logic 0, the pattern detector is inserted in the receive path and the pattern generator is inserted in the transmit path. Timeslot channels from the egress interface may be overwritten with generated patterns before appearing on the transmit line, and timeslot channels from the receive line may be checked for the generated pattern before appearing on the ingress interface.

UNF_GEN:

When the Unframed Pattern Generation bit (UNF_GEN) is set to logic 1, then the PRGD will overwrite all 256 bits in every frame in the direction specified by the RXPATGEN bit. If the generator is enabled in the transmit path, then unless signaling and/or framing is disabled, the E1-TRAN will still overwrite the signaling bit positions and/or the framing bit position. Similarly, if pattern generation is enabled in the receive direction, then the pattern will overwrite the framing bit position. The UNF_GEN bit overrides any per-timeslot pattern generation specified in the TPSC or RPSC. When RXPATGEN = 0, then

UNF_GEN also overrides idle code insertion and data inversion in the transmit direction, just like the TEST bit in the TPSC.

UNF_DET:

When the Unframed Pattern Detection bit (UNF_DET) is set to logic 1, then the PRGD will search for the pattern in all 256 bits of the egress or receive stream, depending on the setting of RXPATGEN. The UNF_DET bit overrides any per-timeslot pattern detection specified in the TPSC or RPSC.

Registers 00DH, 08DH, 10DH, 18DH, 20DH, 28DH, 30DH, 38DH: Clock Monitor

Bit	Type	Function	Default
Bit 7		Unused	X
Bit 6		Unused	X
Bit 5		Unused	X
Bit 4	R	XCLKA	X
Bit 3	R	CECLKA	X
Bit 2	R	CTCLKA	X
Bit 1	R	CICLKA	X
Bit 0	R	RLCLKA	X

These registers provide activity monitoring on EOCTL clocks. When a monitored clock signal makes a low to high transition, the corresponding register bit is set high. The bit will remain high until this register is read, at which point, all the bits in this register are cleared. A lack of transitions is indicated by the corresponding register bit reading low. These registers should be read at periodic intervals to detect clock failures.

XCLKA:

The XCLK active bit monitors for low to high transitions on the XCLK input. XCLKA is set high on a rising edge of XCLK, and is set low when this register is read.

RLCLKA:

The RLCLK active bit monitors for low to high transitions on the RLCLK[x] input. RLCLKA is set high on a rising edge of RLCLK[x], and is set low when this register is read.

CICLKA:

The CICLK active bit monitors for low to high transitions on the CICLK input. CICLKA is set high on a rising edge of CICLK, and is set low when this register is read.

CTCLKA:

The CTCLK active bit monitors for low to high transitions on the CTCLK input. CTCLKA is set high on a rising edge of CTCLK, and is set low when this register is read.

CECLKA:

The CECLK active bit monitors for low to high transitions on the CECLK input. CECLKA is set high on a rising edge of CECLK, and is set low when this register is read.

Registers 00EH, 08EH, 10EH, 18EH, 20EH, 28EH, 30EH, 38EH: Ingress Frame Pulse Configuration

Bit	Type	Function	Default
Bit 7		Unused	X
Bit 6		Unused	X
Bit 5		Unused	X
Bit 4		Unused	X
Bit 3	R/W	PERTS_IFP	0
Bit 2	R/W	REF_MIFP	0
Bit 1	R/W	OOCMFE0	0
Bit 0	R/W	G706RAI	0

These registers allow software to configure the IFP[x] output and the transmitter functional block.

PERTS_IFP:

When PERTS_IFP is set to logic 1, the IFP[x] output is configured to output the frame pulse or overhead indications of the octant as configured by the ROHM, BRXSMFP and BRXCMFP register bits of the Receive Backplane Frame Pulse Configuration register. When configured for the multiplexed backplane, MIFP[x] will contain the frame pulse or overhead indication for the octant whose data is being presented on MID[x].

REF_MIFP:

When REF_MIFP is set to logic 1, the IFP[x] and MIFP[x] output is configured to indicate the position of the Ingress backplane frame pulse as defined by CIFP. In this mode, the ROHM, BRXSMFP and BRXCMFP register bits have no effect on IFP[x] or MIFP[x].

PERTS_IFP	REF_MIFP	Description
0	0	IFP[x] is forced logic 0. When the multiplexed backplane is enabled, the octant will not make a contribution to MIFP[1:2].
1	0	IFP[x] is output as configured by the ROHM, BRXSMFP and BRXCMFP

		bits. When configured for multiplexed backplane, the frame pulse/overhead indication is contributed to MIFP along with the octant's MID and MISIG contribution.
X	1	IFP[x]/MIFP contains a reference frame pulse aligned with the Ingress backplane frame pulse as indicated on CIFP.

OOCMFE0:

When in E1 mode, the OOCMFE0 bit selects between two modes of operation concerning the transmission of E-bits when the EOCTL is out of CRC-4 multiframe. When OOCMFE0 is logic 0, the EOCTL transmits ones for the E-bits while out of CRC-4 multiframe. When OOCMFE0 is logic 1, the EOCTL transmits zeroes for the E-bits while out of CRC-4 multiframe. The option to transmit zeroes as E-bits while out of CRC-4 multiframe is provided to allow compliance with the CRC-4 to non-CRC-4 interworking procedure in Annex B of G.706.

G706RAI:

When in E1 mode, the G.706 Annex B RAI bit, G706RAI, selects between two modes of operation concerning the transmission of RAI when the EOCTL is out of CRC-4 multiframe. When G706RAI is logic 1, the behavior of RAI follows Annex B of G.706, i.e., RAI is transmitted only when out of basic frame or when AISD is detected by the FRMR, not when CRC-4-to-non-CRC-4 interworking is declared, nor when the offline framer is out of frame. When G706RAI is logic 0, the behavior of RAI follows ETSI standards, i.e., RAI is transmitted when out of basic frame, during AISD, when CRC-4-to-non-CRC-4 interworking is declared, and when the offline framer is out of frame.

G706RAI does not have any effect when the AUTOYELLOW bit is cleared.

Registers 010H, 090H, 110H, 190H, 210H, 290H, 310H, 390H: Receive Backplane Configuration

Bit	Type	Function	Default
Bit 7	R/W	NxTS[1]	0
Bit 6	R/W	NxTS[0]	0
Bit 5	R/W	ICLKSLV	1
Bit 4	R/W	DE	1
Bit 3	R/W	FE	1
Bit 2	R/W	CMS	0
Bit 1	R/W	RATE[1]	0
Bit 0	R/W	RATE[0]	0

NxTS[1:0]:

The NxTS[1:0] bits determine the mode of operation when clock master mode is selected (ICLKSLV is logic 0), as shown in the following table. Note that these bits are ignored when clock slave mode is selected (ICLKSLV is logic 1).

Table 6 - TxTS[1:0] Backplane Receive Operation

NxTS[1]	NxTS[0]	Operation
0	0	Full E1
0	1	Reserved
1	0	64 kbit/s NxTS
1	1	64 kbit/s NxTS with F-bit

When in Full Frame mode, the entire frame (256 bits) is presented and ICLK[x] pulse train contains no gaps.

When in any of the NxTS modes, only those time slots with their DTRKC bit cleared (logic 0) are clocked out on the backplane. ICLK[x] does not pulse during those time slots with their DTRKC bit set (logic 1). The DTRKC bits are located in the SIGX Indirect Registers.

When the 64 kbit/s NxTS mode is selected, all 8 bits of the selected time slots are presented to the backplane.

The 64 kbit/s NxDS0 with F-bit mode is intended to support ITU recommendation G.802 where 1.544 Mbit/s data is carried within a 2.048 Mbit/s data stream. In this configuration, the DTRKC bits for Timeslots 26 – 31 are automatically set to logic 1. The Clock Master mode must be enabled (ICLKSLV bit is set to logic 0) for this configuration.

ICLKSLV:

The ingress clock slave mode (ICLKSLV) bit determines whether the ingress interface operates in clock slave or clock master mode. When ICLKSLV is a logic 0, clock master mode is selected. When ICLKSLV is a logic 1, clock slave mode is selected. A multiplexed backplane is only supported when ICLKSLV is logic 1.

DE:

The data edge (DE) bit determines the edge of CICKL or ICLK[x] on which ID[x] and ISIG[x] are generated. If DE is a logic 0, ID[x] and ISIG[x] are updated on the falling edge of CICKL or ICLK[x]. If DE is a logic 1, ID[x] and ISIG[x] are updated on the rising edge of CICKL or ICLK[x].

FE:

The framing edge (FE) bit determines the edge of CICKL or ICLK[x] on which the frame pulse CIFP is sampled or IFP[x] updated. If FE is a logic 0, CIFP is sampled or IFP[x] is updated on the falling edge of CICKL or ICLK[x] respectively. If FE is a logic 1, CIFP is sampled on the rising edge of CICKL or IFP[x] is updated on the rising edge of ICLK[x]. In the case where FE is not equal to DE, FE is sampled or updated one clock edge before DE.

CMS:

The clock mode select (CMS) bit determines the CICKL frequency multiple. If CMS is a logic 0, CICKL is at the backplane rate. If CMS is a logic 1, CICKL is at twice the backplane rate.

RATE[1:0]:

The rate select (RATE[1:0]) bits determine the backplane rate according to the following table:

Table 7 - Rate[1:0] Backplane Receive Operation

RATE[1]	RATE[0]	Backplane Rate
0	0	1.544 Mbit/s G.802 DS1 from E1 mapping
0	1	2.048 Mbit/s

RATE[1]	RATE[0]	Backplane Rate
1	0	Reserved
1	1	8.192 Mbit/s

The 1.544 Mbit/s rate is only supported when the NxTX[1:0] bits in this register are both set to logic 1. The 8.192 Mbit/s rates is only supported in clock slave mode (ICLKSLV bit is logic 1). **The multiplexed ingress backplane bus is enabled when any of the 8 octants has its RATE[1:0] bits set to binary 'b11.**

Registers 011H, 091H, 111H, 191H, 211H, 291H, 311H, 391H: Receive Backplane Frame Pulse Configuration

Bit	Type	Function	Default
Bit 7	R/W	Reserved	0
Bit 6	R/W	FPINV	0
Bit 5	R/W	FPMODE	1
Bit 4	R/W	Reserved	0
Bit 3	R/W	ROHM	0
Bit 2	R/W	BRXSMFP	0
Bit 1	R/W	BRXCMFP	0
Bit 0	R/W	ALTIFP	0

Reserved:

This bit should be set to logic 0 for proper operation.

FPINV:

The frame pulse inversion (FPINV) bit determines whether CIFP is inverted prior to sampling and IFP[x] is inverted prior to presentation. If FPINV is a logic 0, CIFP and IFP[x] are active high. If FPINV is a logic 1, CIFP and IFP[x] are active low.

FPMODE:

When FPMODE and ICLKSLV are both set to logic 1, frame-pulse slave mode is selected and CIFP is used. When FPMODE is logic 0, CIFP is unused. FPMODE should be set to logic 0 when ICLKSLV is logic 0.

Reserved:

This bit should be set to logic 0 for proper operation.**ALTIFP:**

The ALTIFP bit suppresses every second output pulse on the backplane output IFP[x]. When ALTIFP is set to logic 1 and BRXCMFP and BRXSMP bits are both logic 0, the output signal on IFP[x] pulses every 512 bits, indicating the first bit or every second frame. Under this condition, IFP[x] indicates the NFAS frames. If the BRXCMFP or BRXSMFP bit is logic 1 when ALTIFP is logic 1, the output signal on IFP[x] pulses every 32 frames.

When ALTIFP is set to logic 0, the output signal on IFP[x] pulses in accordance to the ROHM, BRXCMFP and BRXSMP bit settings.

ALTIFP has no effect if the FPMODE bit or the ROHM bit is a logic 1.

ROHM, BRXSMFP, BRXCMFP:

The ROHM, BRXSMFP and BRXCMFP bits select the output signal seen on the backplane output IFP[x]. These register bits only have effect if the FPMODE bit is a logic 1.

The following table summarizes the configurations of the IFP[x] output:

Table 8 - IFP[x] Backplane Receive Configuration

ROHM	BRXSMFP	BRXCMFP	IFP[x] Configuration
0	0	0	Backplane receive frame pulse output: IFP[x] pulses high for 1 CICK or ICLK[x] cycle during bit 1 of each 256-bit frame, indicating the frame alignment of the ID[x] data stream.
0	0	1	Backplane receive CRC multiframe output: IFP[x] pulses high for 1 CICK or ICLK[x] cycle during bit 1 of frame 1 of every 16 frame CRC multiframe, indicating the CRC multiframe alignment of the ID[x] data stream. (Even when CRC multiframe is disabled, the IFP[x] output continues to indicate the position of bit 1 of the FAS frame every 16 th frame). The CRC Multiframe pulse is not valid when timeslot and bit offsets are configured to indicate the last bit of the frame.

ROHM	BRXSMFP	BRXCMFP	IFP[x] Configuration
0	1	0	<p>Backplane receive signaling multiframe output:</p> <p>IFP[x] pulses high for 1 CICK or ICLK[x] cycle during bit 1 of frame 1 of the 16 frame signaling multiframe, indicating the signaling multiframe alignment of the ID[x] data stream. (Even when signaling multiframe is disabled, the IFP[x] output continues to indicate the position of bit 1 of every 16th frame.)</p> <p>The Signaling Multiframe pulse is not valid when timeslot and bit offsets are configured to indicate the last bit of the frame.</p>
0	1	1	<p>Backplane receive composite multiframe output:</p> <p>IFP[x] goes high on the active CICK or ICLK[x] edge marking the beginning of bit 1 of frame 1 of every 16 frame signaling multiframe, indicating the signaling multiframe alignment of the ID[x] data stream, and returns low on the active CICK or ICLK[x] edge marking the end of bit 1 of frame 1 of every 16 frame CRC multiframe, indicating the CRC multiframe alignment of the ID[x] data stream. This mode allows both multiframe alignments to be decoded externally from the single IFP[x] signal. Note that if the signaling and CRC multiframe alignments are coincident, IFP[x] will pulse high for 1 CICK or ICLK[x] cycle every 16 frames.</p> <p>The Composite Multiframe pulse is not valid when timeslot and bit offsets are configured to indicate the last bit of the frame.</p>

ROHM	BRXSMFP	BRXCMFP	IFP[x] Configuration
1	X	X	<p>Backplane receive overhead output: IFP[x] is high for timeslot 0 and timeslot 16 of each 256-bit frame, indicating the overhead of the ID[x] data stream.</p> <p>ROHM is not valid when timeslot or bit offsets are used.</p>

Registers 012H, 092H, 112H, 192H, 212H, 292H, 312H, 392H: Receive Backplane Parity/F-bit Configuration

Bit	Type	Function	Default
Bit 7	R/W	RPTYP	0
Bit 6	R/W	RPRTYE	0
Bit 5	R/W	FIXF	0
Bit 4	R/W	FIXPOL	0
Bit 3	R/W	PTY_EXTD	0
Bit 2		Unused	X
Bit 1	R/W	TRI[1]	0
Bit 0	R/W	TRI[0]	0

This register provides control of data integrity checking on the receive backplane interface. A single parity bit in the first bit-position of TS0 (henceforth called the PRTY_BIT) of the ID[x] data stream represents parity over the previous frame. Parity checking and generation is not supported when the NxTS mode is active.

RPTYP:

The receive parity type (RPTYP) bit sets even or odd parity in the receive streams. If RPTYP is a logic 0, the expected parity value in the PRTY_BIT position of ID[x] is even, thus it is a one if the number of ones in the previous frame is odd. If RPTYP is a logic 1, the expected parity value in the PRTY_BIT position of ID[x] is odd, thus it is a one if the number of ones in the previous frame is even. RPTYP only has effect if RPRTYE is a logic one.

RPRTYE:

The RPRTYE bit enables receive parity insertion. When set a logic one, parity is inserted into the PRTY_BIT position of the ID[x] stream. When set to logic zero, the PRTY_BIT passes through transparently.

FIXF:

If the RPRTYE bit is a logic 0, a logic 1 in the FIXF bit forces the PRTY_BIT position to the polarity specified by the FIXPOL bit.

If RPRTYE is a logic 1, FIXF has no effect. If RPRTYE and FIXF are both logic 0, the first bit of the frame passes from the line transparently.

FIXPOL:

This bit determines the logic level of the first bit of the ID[x] frame when the FIXF bit is a logic 1 and the RPRTYE bit is a logic 0. If FIXPOL is a logic 1, ID[x] will be high in the first bit of the frame. If FIXPOL is a logic 0, ID[x] will be low in the first bit of the frame.

PTY_EXTD:

The parity extend (PRY_EXTD) bit causes the parity to be calculated over the previous frame plus the previous parity bit, instead of only the previous frame.

TRI[1:0]:

The tri-state control bits determine when the ID[x] and ISIG[x] outputs are high impedance.

TRI[1]	TRI[0]	Effect
0	0	ID[x] and ISIG[x] are held high impedance. This default ensures the outputs are high impedance during reset and configuration
0	1	Totem-pole operation. ID[x] and ISIG[x] drive during the bit periods that contain valid data, i.e. every second or fourth byte for multiplexed operation.
1	0	Reserved
1	1	Reserved

Registers 013H, 093H, 113H, 193H, 213H, 293H, 313H, 393H: Receive Backplane Time Slot Offset

Bit	Type	Function	Default
Bit 7		Unused	X
Bit 6	R/W	TSOFF[6]	0
Bit 5	R/W	TSOFF[5]	0
Bit 4	R/W	TSOFF[4]	0
Bit 3	R/W	TSOFF[3]	0
Bit 2	R/W	TSOFF[2]	0
Bit 1	R/W	TSOFF[1]	0
Bit 0	R/W	TSOFF[0]	0

TSOFF[6:0]:

The time slot offset (TSOFF[6:0]) bits give a binary representation of the fixed byte offset between the backplane receive frame pulse (CIFP) and the start of the next frame on the backplane receive interface (ID[x], ISIG[x], and IFP[x]). The seven bits can give an offset from 0 - 127 bytes. With a data rate of 2.048 Mbit/s, every byte on ID[x] and ISIG[x] is driven. With a data rate of 8.192 Mbit/s, each octant contributes every fourth byte on MID[1:2] and MISIG[1:2].

Registers 014H, 094H, 114H, 194H, 214H, 294H, 314H, 394H: Receive Backplane Bit Offset

Bit	Type	Function	Default
Bit 7		Unused	X
Bit 6		Unused	X
Bit 5		Unused	X
Bit 4		Unused	X
Bit 3	R/W	BOFF_EN	0
Bit 2	R/W	BOFF[2]	0
Bit 1	R/W	BOFF[1]	0
Bit 0	R/W	BOFF[0]	0

BOFF_EN:

The bit offset enable (BOFF_EN) bit is used to enable the bit offset bits. If BOFF_EN is a logic 0, the bit offset is disabled and there is no bit offset between the frame pulse and the first bit of the first time slot. In this case, the BOFF[2:0] bits are ignored. If BOFF_EN is a logic 1, the bit offset is enabled and the BOFF[2:0] bits operate as described below.

Bit offsets are not supported when the 16.384 MHz clock rate (RATE[1:0] = 'b11, CMS = 1), and BOFF_EN must be set to logic 0.

BOFF[2:0]:

The bit offset (BOFF[2:0]) bits gives a binary representation of the fixed offset between the backplane receive frame pulse (CIFP) and the start of the first bit of the first time slot. This binary representation is then used to determine the CICK edge, defined as CET (clock edge transmit) on which the first bit of the first time slot is sampled. For example, if CET is 4, the data on ID[x] and ISIG[x] is sampled on the fourth clock edge after CIFP is sampled (see Figure 45). The following tables show the relationship between BOFF[2:0], FE, DE and CER.

Table 9 - Receive Backplane Bit Offset for FP Master

FE	DE	BOFF[2:0]								
		000	001	010	011	100	101	110	111	
0	0	4	6	8	10	12	14	16	18	CET
0	1	3	5	7	9	11	13	15	*	
1	0	3	5	7	9	11	13	15	17	
1	1	4	6	8	10	12	14	16	18	

* To set CET = 17 when FE = 0, DE = 0; set TSOFF = 0 and BOFF_EN = 0

Table 10 - Receive Backplane Bit Offset for FP Slave

FE	DE	BOFF[2:0]								
		001	010	011	100	101	110	111	000 TSOFF+1*	
0	0	4	6	8	10	12	14	16	18	CET
0	1	3	5	7	9	11	13	15	17	
1	0	3	5	7	9	11	13	15	17	
1	1	4	6	8	10	12	14	16	18	

* For these offsets, the Timeslot Offset must be incremented by one

The above tables show the programming of the Bit Offsets with respect to FE, DE, and BOFF. Programming of the Bit Offsets is consistent with the convention established by the Concentration Highway Interface (CHI) specification when CMS = 0.

Bit Offsets are not supported when CMS = 1.

Registers 018H, 098H, 118H, 198H, 218H, 298H, 318H, 398H: Transmit Backplane Configuration

Bit	Type	Function	Default
Bit 7	R/W	NxTS[1]	0
Bit 6	R/W	NxTS[0]	0
Bit 5	R/W	ECLKSLV	1
Bit 4	R/W	DE	1
Bit 3	R/W	FE	1
Bit 2	R/W	CMS	0
Bit 1	R/W	RATE[1]	0
Bit 0	R/W	RATE[0]	0

NxTS[1:0]:

The NxTS[1:0] bits determine the mode of operation when clock master mode is selected (ECLKSLV logic 0), as shown in the following table. Note that these bits are ignored when clock slave mode is selected (ECLKSLV logic 1).

Table 11 - Transmit Backplane NxTS Mode Selection

NxTS[1]	NxTS[0]	Operation
0	0	Full E1
0	1	Reserved
1	0	64 kbit/s NxTS
1	1	64 kbit/s NxTS with F-bit

When in Full Frame mode, the entire frame is sampled from the backplane.

When in any of the NxTS modes, only those time slots with their NxTS_IDLE bit cleared (logic 0) are sampled from the backplane. The other time slots, with their NxTS_IDLE bit set (logic 1), do not contain valid data and will be overwritten with the per-timeslot idle code. The NxTS_IDLE bits are located in the TPSC indirect register's Timeslot Control bytes.

When the 64 kbit/s NxTS mode is selected, all 8 bits of the selected time slots are sampled from the backplane.

The 64 kbit/s NxTS with F-bit mode is intended to support ITU recommendation G.802 which maps a 1.544Mbit/s DS1 signal onto a 2.048Mbit/s signal. The DS1 F-bit is always presented during the first bit of time slot 26. To properly insert a G.802 formatted DS1, the NxTS_IDLE bits must be cleared for time slots 1 through 16 and 17 through 25. The Clock Master mode must be enabled (ECLKSLV set to logic 0) for this configuration.

ECLKSLV:

The egress clock slave mode (ECLKSLV) bit determines whether the egress interface operates in clock slave or clock master mode. When ECLKSLV is a logic 0, clock master mode is selected. When ECLKSLV is a logic 1, clock slave mode is selected. A multiplexed backplane is only supported when ECLKSLV is logic 1.

When ECLKSLV = 0, then the SYNC bit in the TJAT Configuration Register must be set to logic 0.

DE:

The data edge (DE) bit determines the edge of CECLK, ECLK[x], or TLCLK[x] on which ED[x] and ESIG[x] are sampled. If DE is a logic 0, ED[x] and ESIG[x] are sampled on the falling edge of CECLK, ECLK[x], or TLCLK[x]. If DE is a logic 1, ED[x] and ESIG[x] are sampled on the rising edge of CECLK, ECLK[x], or TLCLK[x].

FE:

The framing edge (FE) bit determines the edge of CECLK on which the frame pulse (CEFP) pulse is sampled. If FE is a logic 0, CEFP is sampled on the falling edge of CECLK. If FE is a logic 1, CEFP is sampled on the rising edge of CECLK. In the case where FE is not equal to DE, FE is sampled or updated one clock edge before DE. This bit only has effect in clock slave mode.

CMS:

The clock mode select (CMS) bit determines the CECLK frequency multiple. If CMS is a logic 0, CECLK is at the backplane rate. If CMS is a logic 1, CECLK is at twice the backplane rate.

RATE[1:0]:

The rate select (RATE[1:0]) bits determine the backplane rate according to the following table:

Table 12 - Transmit Backplane Rate

RATE[1]	RATE[0]	Backplane Rate
0	0	1.544 Mbit/s G.802 DS1 to E1 mapping
0	1	2.048 Mbit/s
1	0	Reserved
1	1	8.192 Mbit/s

The 1.544 Mbit/s rate is only supported when the NxTS[1:0] bits in this register are both set to logic 1. The 8.192 Mbit/s rates is only supported in clock slave mode (ECLKSLV set to logic 1). **The multiplexed egress backplane bus is enabled when any of the 8 octants has its RATE[1:0] bits set to binary 'b11.**

Registers 019H, 099H, 119H, 199H, 219H, 299H, 319H, 399H: Transmit Backplane Frame Pulse Configuration

Bit	Type	Function	Default
Bit 7	R/W	Reserved	0
Bit 6		Unused	X
Bit 5		Unused	X
Bit 4		Unused	X
Bit 3	R/W	FPINV	0
Bit 2	R/W	Reserved	0
Bit 1	R/W	FPTYP	0
Bit 0	R/W	Reserved	1

Reserved:

This register bit must be set to logic 0 for proper operation.

FPINV:

The frame pulse inversion (FPINV) bit determines whether CIFP is inverted prior to sampling. If FPINV is a logic 0, CIFP is active high. If FPINV is a logic 1, CEFP is active low.

Reserved:

This register bit must be set to logic 0 for proper operation.

FPTYP:

The frame pulse type (FPTYP) bit determines the type of frame pulse expected on CEFP. When FPTYP is a logic 0, basic frame alignment is chosen and frame pulses are expected every frame. When FPTYP is a logic 1, multiframe alignment is chosen.

With multiframe alignment, CEFP must be brought high to mark bit 1 of frame 1 of every 16 frame signaling multiframe and brought low following bit 1 of frame 1 of every 16 frame CRC multiframe.

Reserved:

This register bit must be set to logic 1 for proper operation.

Registers 01AH, 09AH, 11AH, 19AH, 21AH, 29AH, 31AH, 39AH: Transmit Backplane Parity Configuration and Status

Bit	Type	Function	Default
Bit 7	R/W	TPTYP	0
Bit 6	R/W	TPTYE	0
Bit 5	R	TDI	X
Bit 4		Reserved	X
Bit 3	R/W	PTY_EXTD	0
Bit 2		Unused	X
Bit 1		Unused	X
Bit 0		Unused	X

This register provides control and status reporting of data integrity checking on the transmit backplane interface. A single parity bit in the first bit of the first timeslot (henceforth called the PRTY_BIT) represents parity over the previous frame (including the undefined bit positions).

TPTYP:

The transmit parity type (TPTYP) bit sets even or odd parity in the transmit streams. If TPTYP is a logic 0, the expected parity value in the PRTY_BIT position of ED[x] is even, thus it is a one if the number of ones in the previous frame is odd. If TPTYP is a logic 1, the expected parity value in the PRTY_BIT position of ED[x] is odd, thus it is a one if the number of ones in the previous frame is even.

TPTYE:

The transmit parity enable (TPTYE) bit enables transmit parity interrupts. When TPTYE is a logic 1, parity errors on the inputs ED[x] are indicated by the TDI bits, respectively, and by the assertion low of the INTB output. When TPTYE is a logic 0, parity errors are indicated by the TDI bits but are not indicated on the INTB output.

TDI:

The transmit data interrupt (TDI) bit indicates if a parity error has been detected on the ED[x] input. This bit is cleared when this register is read.

PTY_EXTD:

The parity extend (PRY_EXTD) bit causes the parity to be calculated over the previous frame plus the previous parity bit, instead of only the previous frame.

Registers 01BH, 09BH, 11BH, 19BH, 21BH, 29BH, 31BH, 39BH: Transmit Backplane Time Slot Offset

Bit	Type	Function	Default
Bit 7		Unused	X
Bit 6	R/W	TSOFF[6]	0
Bit 5	R/W	TSOFF[5]	0
Bit 4	R/W	TSOFF[4]	0
Bit 3	R/W	TSOFF[3]	0
Bit 2	R/W	TSOFF[2]	0
Bit 1	R/W	TSOFF[1]	0
Bit 0	R/W	TSOFF[0]	0

TSOFF[6:0]:

The time slot offset (TSOFF[6:0]) bits give a binary representation of the fixed byte offset between the backplane transmit frame pulse (CEFP) and the start of the next frame on the backplane transmit data signal (ED[x]). The seven bits can give an offset from 0 - 127 bytes. With a data rate of 2.048 Mbit/s, every byte on ED[x] is sampled. With a data rate of 8.192 Mbit/s, every fourth byte on MED[1:2] and MESIG[1:2] is sampled.

When in the Clock Slave EFP Enabled mode, the TSOFF[6:0] bits must all be set to logic 0 for proper operation.

Registers 01CH, 09CH, 11CH, 19CH, 21CH, 29CH, 31CH, 39CH: Transmit Backplane Bit Offset

Bit	Type	Function	Default
Bit 7		Unused	X
Bit 6		Unused	X
Bit 5		Unused	X
Bit 4		Unused	X
Bit 3	R/W	BOFF_EN	0
Bit 2	R/W	BOFF[2]	0
Bit 1	R/W	BOFF[1]	0
Bit 0	R/W	BOFF[0]	0

BOFF_EN:

The bit offset enable (BOFF_EN) bit is used to enable the bit offset bits. If BOFF_EN is a logic 0, the bit offset is disabled and there is no bit offset between the frame pulse and the first bit of the first time slot. In this case, the BOFF[2:0] bits are ignored. If BOFF_EN is a logic 1, the bit offset is enabled and the BOFF[2:0] bits operate as described below.

When in the Clock Slave EFP Enabled mode, the BOFF_EN bit must be set to logic 0 for proper operation.

BOFF[2:0]:

The bit offset (BOFF[2:0]) bits gives a binary representation of the fixed offset between the backplane transmit frame pulse (CEFP) and the start of the first bit of the first time slot. This binary representation is then used to determine the CECLK edge, defined as CER (clock edge receive) on which the first bit of the first time slot is sampled. For example, if CER is 4, the data on ED[x] and ESIG[x] is sampled on the fourth clock edge after CEFP is sampled (see Figure 40). The following tables show the relationship between BOFF[2:0], FE, DE and CER.

Table 13 - Transmit Backplane Bit Offset for CMS = 0

FE	DE	BOFF[2:0]								
		000	001	010	011	100	101	110	111	
0	0	4	6	8	10	12	14	16	18	CER
0	1	3	5	7	9	11	13	15	17	
1	0	3	5	7	9	11	13	15	17	
1	1	4	6	8	10	12	14	16	18	

Table 14 - Transmit Backplane Bit Offset for CMS = 1

FE	DE	BOFF[2:0]								
		000	001	010	011	100	101	110	111	
0	0	6	10	14	18	22	26	30	34	CER
0	1	7	11	15	19	23	27	31	35	
1	0	7	11	15	19	23	27	31	35	
1	1	6	10	14	18	22	26	30	34	

The above tables are consistent with the convention established by the Concentration Highway Interface (CHI) specification.

Registers 020H, 0A0H, 120H, 1A0H, 220H, 2A0H, 320H, 3A0H: RJAT Interrupt Status

Bit	Type	Function	Default
Bit 7		Unused	X
Bit 6		Unused	X
Bit 5		Unused	X
Bit 4		Unused	X
Bit 3		Unused	X
Bit 2		Unused	X
Bit 1	R	OVRI	X
Bit 0	R	UNDI	X

These registers contain the indication of the RJAT FIFO status.

OVRI:

The OVRI bit is asserted when an attempt is made to write data into the FIFO when the FIFO is already full. When OVRI is a logic 1, an overrun event has occurred. The OVRI bit is cleared after this register is read.

UNDI:

The UNDI bit is asserted when an attempt is made to read data from the FIFO when the FIFO is already empty. When UNDI is a logic 1, an underrun event has occurred. The UNDI bit is cleared after this register is read.

Register 021H, 0A1H, 121H, 1A1H, 221H, 2A1H, 321H, 3A1H: RJAT Reference Clock Divisor (N1) Control

Bit	Type	Function	Default
Bit 7	R/W	N1[7]	0
Bit 6	R/W	N1[6]	0
Bit 5	R/W	N1[5]	1
Bit 4	R/W	N1[4]	0
Bit 3	R/W	N1[3]	1
Bit 2	R/W	N1[2]	1
Bit 1	R/W	N1[1]	1
Bit 0	R/W	N1[0]	1

These registers define an 8-bit binary number, N1, which is one less than the magnitude of the divisor used to scale down the RJAT PLL reference clock input. The REF divisor magnitude, (N1+1), is the ratio between the frequency of REF input and the frequency applied to the phase discriminator input.

Writing to this register will reset the PLL and, if the SYNC bit in the RJAT Configuration register is high, will also reset the FIFO.

Upon reset of the EOCTL, the default value of N1 is set to decimal 47 (2FH).

Consult the Operations section for clarification of divisor selection criteria.

Registers 022H, 0A2H, 122H, 1A2H, 222H, 2A2H, 322H, 3A2H: RJAT Output Clock Divisor (N2) Control

Bit	Type	Function	Default
Bit 7	R/W	N2[7]	0
Bit 6	R/W	N2[6]	0
Bit 5	R/W	N2[5]	1
Bit 4	R/W	N2[4]	0
Bit 3	R/W	N2[3]	1
Bit 2	R/W	N2[2]	1
Bit 1	R/W	N2[1]	1
Bit 0	R/W	N2[0]	1

These registers define an 8-bit binary number, N2, which is one less than the magnitude of the divisor used to scale down the RJAT smooth output clock signal. The output clock divisor magnitude, (N2+1), is the ratio between the frequency of the smooth output clock and the frequency applied to the phase discriminator input.

Writing to this register will reset the PLL and, if the SYNC bit is high, will also reset the FIFO.

Upon reset of the EOCTL, the default value of N2 is set to decimal 47 (2FH).

Consult the Operations section for clarification of divisor selection criteria.

Registers 023H, 0A3H, 123H, 1A3H, 223H, 2A3H, 323H, 3A3H: RJAT Configuration

Bit	Type	Function	Default
Bit 7		Unused	X
Bit 6		Unused	X
Bit 5	R/W	Reserved	1
Bit 4	R/W	CENT	0
Bit 3	R/W	UNDE	0
Bit 2	R/W	OVRE	0
Bit 1	R/W	SYNC	1
Bit 0	R/W	LIMIT	1

These registers control the operation of the RJAT FIFO read and write pointers and controls the generation of interrupt by the FIFO status.

Reserved:

The Reserved bit should be programmed to logic 1 for future compatibility.

CENT:

The CENT bit allows the FIFO to self-center its read pointer, maintaining the pointer at least 4 UI away from the FIFO being empty or full. When CENT is set to logic 1, the FIFO is enabled to self-center for the next 384 transmit data bit period, and for the first 384 bit periods following an overrun or underrun event. If an EMPTY or FULL alarm occurs during this 384 UI period, then the period will be extended by the number of UI that the EMPTY or FULL alarm persists. During the EMPTY or FULL alarm conditions, data is lost. When CENT is set to logic 0, the self-centering function is disabled, allowing the data to pass through uncorrupted during EMPTY or FULL alarm conditions. The CENT bit can only be set to logic 1 if the SYNC bit is set to logic 0.

OVRE,UNDE:

The OVRE and UNDE bits control the generation of an interrupt on the microprocessor INTB pin when a FIFO error event occurs. When OVRE or UNDE is set to logic 1, an overrun event or underrun event, respectively, is allowed to generate an interrupt on the INTB pin. When OVRE or UNDE is set to logic 0, the FIFO error events are disabled from generating an interrupt.

SYNC:

The SYNC bit enables the PLL to synchronize the phase delay between the FIFO input and output data to the phase delay between reference clock input and smooth output clock at the PLL. For example, if the PLL is operating so that the smooth output clock lags the reference clock by 24 UI, then the synchronization pulses that the PLL sends to the FIFO will force its output data to lag its input data by 24 UI. When SYNC is set to logic 1, then the RJAT divisors (N1 and N2) must be set so that N1+1 is a multiple of 48 decimal, and N2+1 is a multiple of 48 decimal.

LIMIT:

The LIMIT bit enables the PLL to limit the jitter attenuation by enabling the FIFO to increase or decrease the frequency of the smooth output clock whenever the FIFO is within one unit interval (UI) of overflowing or underflowing. This limiting of jitter ensures that no data is lost during high phase shift conditions. When LIMIT is set to logic 1, the PLL jitter attenuation is limited. When LIMIT is set to logic 0, the PLL is allowed to operate normally.

Registers 024H, 0A4H, 124H, 1A4H, 224H, 2A4H, 324H, 3A4H: TJAT Interrupt Status

Bit	Type	Function	Default
Bit 7		Unused	X
Bit 6		Unused	X
Bit 5		Unused	X
Bit 4		Unused	X
Bit 3		Unused	X
Bit 2		Unused	X
Bit 1	R	OVRI	X
Bit 0	R	UNDI	X

These registers contain the indication of the TJAT FIFO status.

OVRI:

The OVRI bit is asserted when an attempt is made to write data into the FIFO when the FIFO is already full. When OVRI is a logic 1, an overrun event has occurred. The OVRI bit is cleared after this register is read.

UNDI:

The UNDI bit is asserted when an attempt is made to read data from the FIFO when the FIFO is already empty. When UNDI is a logic 1, an underrun event has occurred. The UNDI bit is cleared after this register is read.

Register 025H, 0A5H, 125H, 1A5H, 225H, 2A5H, 325H, 3A5H: TJAT Reference Clock Divisor (N1) Control

Bit	Type	Function	Default
Bit 7	R/W	N1[7]	0
Bit 6	R/W	N1[6]	0
Bit 5	R/W	N1[5]	1
Bit 4	R/W	N1[4]	0
Bit 3	R/W	N1[3]	1
Bit 2	R/W	N1[2]	1
Bit 1	R/W	N1[1]	1
Bit 0	R/W	N1[0]	1

These registers define an 8-bit binary number, N1, which is one less than the magnitude of the divisor used to scale down the TJAT PLL reference clock input. The REF divisor magnitude, (N1+1), is the ratio between the frequency of REF input and the frequency applied to the phase discriminator input.

Writing to this register will reset the PLL and, if the SYNC bit in the TJAT Configuration register is high, will also reset the FIFO.

Upon reset of the EOCTL, the default value of N1 is set to decimal 47 (2FH).

Consult the Operations section for clarification of divisor selection criteria.

Registers 026H, 0A6H, 126H, 1A6H, 226H, 2A6H, 326H, 3A6H: TJAT Output Clock Divisor (N2) Control

Bit	Type	Function	Default
Bit 7	R/W	N2[7]	0
Bit 6	R/W	N2[6]	0
Bit 5	R/W	N2[5]	1
Bit 4	R/W	N2[4]	0
Bit 3	R/W	N2[3]	1
Bit 2	R/W	N2[2]	1
Bit 1	R/W	N2[1]	1
Bit 0	R/W	N2[0]	1

These registers define an 8-bit binary number, N2, which is one less than the magnitude of the divisor used to scale down the TJAT smooth output clock signal. The output clock divisor magnitude, (N2+1), is the ratio between the frequency of the smooth output clock and the frequency applied to the phase discriminator input.

Writing to this register will reset the PLL and, if the SYNC bit is high, will also reset the FIFO.

Upon reset of the EOCTL, the default value of N2 is set to decimal 47 (2FH).

Consult the Operations section for clarification of divisor selection criteria.

Registers 027H, 0A7H, 127H, 1A7H, 227H, 2A7H, 327H, 3A7H: TJAT Configuration

Bit	Type	Function	Default
Bit 7		Unused	X
Bit 6		Unused	X
Bit 5	R/W	Reserved	1
Bit 4	R/W	CENT	0
Bit 3	R/W	UNDE	0
Bit 2	R/W	OVRE	0
Bit 1	R/W	SYNC	1
Bit 0	R/W	LIMIT	1

These registers control the operation of the TJAT FIFO read and write pointers and controls the generation of interrupt by the FIFO status.

Reserved:

The Reserved bit should be programmed to logic 1 for future compatibility.

CENT:

The CENT bit allows the FIFO to self-center its read pointer, maintaining the pointer at least 4 UI away from the FIFO being empty or full. When CENT is set to logic 1, the FIFO is enabled to self-center for the next 384 transmit data bit period, and for the first 384 bit periods following an overrun or underrun event. If an EMPTY or FULL alarm occurs during this 384 UI period, then the period will be extended by the number of UI that the EMPTY or FULL alarm persists. During the EMPTY or FULL alarm conditions, data is lost. When CENT is set to logic 0, the self-centering function is disabled, allowing the data to pass through uncorrupted during EMPTY or FULL alarm conditions. The CENT bit can only be set to logic 1 if the SYNC bit is set to logic 0.

OVRE,UNDE:

The OVRE and UNDE bits control the generation of an interrupt on the microprocessor INTB pin when a FIFO error event occurs. When OVRE or UNDE is set to logic 1, an overrun event or underrun event, respectively, is allowed to generate an interrupt on the INTB pin. When OVRE or UNDE is set to logic 0, the FIFO error events are disabled from generating an interrupt.

SYNC:

The SYNC bit enables the PLL to synchronize the phase delay between the FIFO input and output data to the phase delay between reference clock input and smooth output clock at the PLL. For example, if the PLL is operating so that the smooth output clock lags the reference clock by 24 UI, then the synchronization pulses that the PLL sends to the FIFO will force its output data to lag its input data by 24 UI. When using the 2Mbit/s transmit backplane option, the SYNC bit must be set to logic 0. When SYNC is set to logic 1, then the TJAT divisors (N1 and N2) must be set so that N1+1 is a multiple of 48 decimal, and N2+1 is a multiple of 48 decimal. SYNC should only be set to logic 1 when PLLREF[1:0] = 00 and the Egress Interface is in a Clock Slave mode in the Egress Options Register.

LIMIT:

The LIMIT bit enables the PLL to limit the jitter attenuation by enabling the FIFO to increase or decrease the frequency of the smooth output clock whenever the FIFO is within one unit interval (UI) of overflowing or underflowing. This limiting of jitter ensures that no data is lost during high phase shift conditions. When LIMIT is set to logic 1, the PLL jitter attenuation is limited. When LIMIT is set to logic 0, the PLL is allowed to operate normally.

Registers 028H, 0A8H, 128H, 1A8H, 228H, 2A8H, 328H, 3A8H (TXCISEL = 0): RXCE Receive Data Link 1 Control

Bit	Type	Function	Default
Bit 7	R/W	DL1_EVEN	0
Bit 6	R/W	DL1_ODD	0
Bit 5	R/W	TS16_EN	1
Bit 4	R/W	DL1_TS[4]	0
Bit 3	R/W	DL1_TS[3]	0
Bit 2	R/W	DL1_TS[2]	0
Bit 1	R/W	DL1_TS[1]	0
Bit 0	R/W	DL1_TS[0]	0

This register controls the extraction of the data link terminated by RDLC #1. Refer to the “Using the Internal HDLC Receivers” description in the Operation section for details on terminating HDLC frames.

DL1_EVEN:

The data link 1 even select (DL1_EVEN) bit controls whether or not the data link is extracted from the chosen timeslot of even frames of the data stream to RDLC#1. If DL1_EVEN is a logic 0, the data link is not extracted from the even frames. If DL1_EVEN is a logic 1, the data link is extracted from the even frames. Even/odd frames are set by the CRC multiframe alignment. The FAS Bits are contained in the even frames. DL1_ODD:

The data link 1 odd select (DL1_ODD) bit controls whether or not the data link is extracted from the chosen timeslot of odd frames of the data stream to RDLC#1. If DL1_ODD is a logic 0, the data link is not extracted from the odd frames. If DL1_ODD is a logic 1, the data link is extracted from the odd frames. Even/odd frames are set by the CRC multiframe alignment. The National Bits are contained in the odd frames.

TS16_EN:

The TS16_EN bit allows timeslot 16 data stream to be routed to RDLC#1. DL1_EVEN and DL1_ODD must each be set to logic 0 for this bit to have effect. When these conditions are met and TS16_EN is logic 1, timeslot 16 data will be automatically extracted on RDLC#1.

DL1_TS[4:0]:

The data link 1 timeslot (DL1_TS[4:0]) bits give a binary representation of the timeslot from which the datalink is to be extracted for RDLC#1. These bits have no effect when DL1_EVEN and DL1_ODD are both logic 0.

Registers 029H, 0A9H, 129H, 1A9H, 229H, 2A9H, 329H, 3A9H (TXCISEL = 0): RXCE Data Link 1 Bit Select Register

Bit	Type	Function	Default
Bit 7	R/W	DL1_BIT[7]	0
Bit 6	R/W	DL1_BIT[6]	0
Bit 5	R/W	DL1_BIT[5]	0
Bit 4	R/W	DL1_BIT[4]	0
Bit 3	R/W	DL1_BIT[3]	0
Bit 2	R/W	DL1_BIT[2]	0
Bit 1	R/W	DL1_BIT[1]	0
Bit 0	R/W	DL1_BIT[0]	0

This register controls the bits involved in the data link extraction to RDLC#1.

DL1_BIT[7:0]:

The data link 1 bit select (DL1_BIT[7:0]) bits control which bits of the timeslot are to be extracted to the data link receiver RDLC#1. If DL1_BIT[x] is a logic one, the data link is extracted from that bit. To extract the data link from the entire timeslot, all eight bits must be set to a logic 1. DL1_BIT[7] corresponds to the MSB and DL1_BIT[0] corresponds to the LSB of the timeslot. These bits have no effect when DL1_EVEN and DL1_ODD are both logic 0.

Registers 02AH, 0AAH, 12AH, 1AAH, 22AH, 2AAH, 32AH, 3AAH (TXCISEL = 0): RXCE Receive Data Link 2 Control

Bit	Type	Function	Default
Bit 7	R/W	DL2_EVEN	0
Bit 6	R/W	DL2_ODD	0
Bit 5		Unused	X
Bit 4	R/W	DL2_TS[4]	0
Bit 3	R/W	DL2_TS[3]	0
Bit 2	R/W	DL2_TS[2]	0
Bit 1	R/W	DL2_TS[1]	0
Bit 0	R/W	DL2_TS[0]	0

This register controls the extraction of the data link terminated by RDLC #2. Refer to the “Using the Internal HDLC Receivers” description in the Operation section for details on terminating HDLC frames.

DL2_EVEN:

The data link 2 even select (DL2_EVEN) bit controls whether or not the data link is extracted from the chosen timeslot of even frames of the data stream to RDLC#2. If DL2_EVEN is a logic 0, the data link is not extracted from the even frames. If DL2_EVEN is a logic 1, the data link is extracted from the even frames. Even/odd frames are set by the CRC multiframe alignment. The FAS Bits are contained in the even frames. **DL2_ODD:**

The data link 2 odd select (DL2_ODD) bit controls whether or not the data link is extracted from the chosen timeslot of odd frames of the data stream to RDLC#2. If DL2_ODD is a logic 0, the data link is not extracted from the odd frames. If DL2_ODD is a logic 1, the data link is extracted from the odd frames. Even/odd frames are set by the CRC multiframe alignment. The National Bits are contained in the odd frames.

DL2_TS[4:0]:

The data link 2 timeslot (DL2_TS[4:0]) bits give a binary representation of the timeslot from which the datalink is to be extracted for RDLC#2. These bits have no effect when DL2_EVEN and DL2_ODD are both logic 0.

**Registers 02BH, 0ABH, 12BH, 1ABH, 22BH, 2ABH, 32BH, 3ABH
(TXCISEL = 0): RXCE Data Link 2 Bit Select Register**

Bit	Type	Function	Default
Bit 7	R/W	DL2_BIT[7]	0
Bit 6	R/W	DL2_BIT[6]	0
Bit 5	R/W	DL2_BIT[5]	0
Bit 4	R/W	DL2_BIT[4]	0
Bit 3	R/W	DL2_BIT[3]	0
Bit 2	R/W	DL2_BIT[2]	0
Bit 1	R/W	DL2_BIT[1]	0
Bit 0	R/W	DL2_BIT[0]	0

This register controls the bits involved in the data link extraction to RDLC#2.

DL2_BIT[7:0]:

The data link 2 bit select (DL2_BIT[7:0]) bits control which bits of the time slot are to be extracted to the data link receiver RDLC#2. If DL2_BIT[x] is a logic one, the data link is extracted from that bit. To extract the data link from the entire timeslot, all eight bits must be set to a logic 1. DL2_BIT[7] corresponds to the MSB and DL2_BIT[0] corresponds to the LSB of the timeslot. These bits have no effect when DL2_EVEN and DL2_ODD are both logic 0.

Registers 02CH, 0ACH, 12CH, 1ACH, 22CH, 2ACH, 32CH, 3ACH
(TXCISEL = 0): RXCE Receive Data Link 3 Control

Bit	Type	Function	Default
Bit 7	R/W	DL3_EVEN	0
Bit 6	R/W	DL3_ODD	0
Bit 5		Unused	X
Bit 4	R/W	DL3_TS[4]	0
Bit 3	R/W	DL3_TS[3]	0
Bit 2	R/W	DL3_TS[2]	0
Bit 1	R/W	DL3_TS[1]	0
Bit 0	R/W	DL3_TS[0]	0

This register controls the extraction of the data link terminated by RDLC #3. Refer to the “Using the Internal HDLC Receivers” description in the Operation section for details on terminating HDLC frames.

DL3_EVEN:

The data link 3 even select (DL3_EVEN) bit controls whether or not the data link is extracted from the chosen timeslot of even frames of the data stream to RDLC#3. If DL3_EVEN is a logic 0, the data link is not extracted from the even frames. If DL3_EVEN is a logic 1, the data link is extracted from the even frames. Even/odd frames are set by the CRC multiframe alignment. The FAS Bits are contained in the even frames.**DL3_ODD:**

The data link 3 odd select (DL3_ODD) bit controls whether or not the data link is extracted from the chosen timeslot of odd frames of the data stream to RDLC#3. If DL3_ODD is a logic 0, the data link is not extracted from the odd frames. If DL3_ODD is a logic 1, the data link is extracted from the odd frames. Even/Odd frames are set by the CRC multiframe alignment. The National Bits are contained in the Odd frames.

DL3_TS[4:0]:

The data link 3 timeslot (DL3_TS[4:0]) bits give a binary representation of the timeslot from which the datalink is to be extracted for RDLC#3. These bits have no effect when DL3_EVEN and DL3_ODD are both logic 0.

**Registers 02DH, 0ADH, 12DH, 1ADH, 22DH, 2ADH, 32DH, 3ADH
(TXCISEL = 0): RXCE Data Link 3 Bit Select Register**

Bit	Type	Function	Default
Bit 7	R/W	DL3_BIT[7]	0
Bit 6	R/W	DL3_BIT[6]	0
Bit 5	R/W	DL3_BIT[5]	0
Bit 4	R/W	DL3_BIT[4]	0
Bit 3	R/W	DL3_BIT[3]	0
Bit 2	R/W	DL3_BIT[2]	0
Bit 1	R/W	DL3_BIT[1]	0
Bit 0	R/W	DL3_BIT[0]	0

This register controls the bits involved in the data link extraction to RDLC#3.

DL3_BIT[7:0]:

The data link 3 bit select (DL3_BIT[7:0]) bits control which bits of the time slot are to be extracted to the data link receiver RDLC#3. If DL3_BIT[x] is a logic one, the data link is extracted from that bit. To extract the data link from the entire timeslot, all eight bits must be set to a logic 1. DL3_BIT[7] corresponds to the MSB and DL3_BIT[0] corresponds to the LSB of the timeslot. These bits have no effect when DL3_EVEN and DL3_ODD are both logic 0.

Register 028H, 0A8H, 128H, 1A8H, 228H, 2A8H, 328H, 3A8H (TXCISEL = 1): TXCI Transmit Data Link 1 Control

Bit	Type	Function	Default
Bit 7	R/W	DL1_EVEN	0
Bit 6	R/W	DL1_ODD	0
Bit 5	R/W	TS16_EN	0
Bit 4	R/W	DL1_TS[4]	0
Bit 3	R/W	DL1_TS[3]	0
Bit 2	R/W	DL1_TS[2]	0
Bit 1	R/W	DL1_TS[1]	0
Bit 0	R/W	DL1_TS[0]	0

This register controls the insertion of the data link generated by TDPR #1 into the transmit data stream. Refer to the “Using the Internal HDLC Transmitters” description in the Operation section for details on sourcing HDLC frames.

DL1_EVEN:

This data link 1 even select (DL1_EVEN) bit controls whether or not the data link from TDPR#1 is inserted into the chosen timeslot of even frames of the data stream. If DL1_EVEN is a logic 0, the data link is not inserted into the even frames. If DL1_EVEN is a logic 1, the data link is inserted into the even frames. Even/odd frames are set by the CRC multiframe alignment. The FAS Bits are contained in the even frames

DL1_ODD:

This data link 1 odd select (DL1_ODD) bit controls whether or not the data link from TDPR#1 is inserted into the chosen timeslot of odd frames of the data stream. If DL1_ODD is a logic 0, the data link is not inserted into the odd frames. If DL1_ODD is a logic 1, the data link is inserted into the odd frames. Even/odd frames are set by the CRC multiframe alignment. The National Bits are contained in the odd frames.

TS16_EN:

The TS16_EN bit allows timeslot 16 data stream to be routed from TDPR#1. DL1_EVEN and DL1_ODD must each be set to logic 0 for this bit to have

effect. When these conditions are met and TS16_EN is logic 1, timeslot 16 data will be automatically inserted from TDPR#1.

DL1_TS[4:0]:

The data link 1 timeslot (DL1_TS[4:0]) bits give a binary representation of the timeslot into which the TDPR#1 inserts the data link. These bits have no effect when DL1_EVEN and DL1_ODD are both a logic 0.

Registers 029H, 0A9H, 129H, 1A9H, 229H, 2A9H, 329H, 3A9H (TXCISEL = 1): TXCI Data Link 1 Bit Select Register

Bit	Type	Function	Default
Bit 7	R/W	DL1_BIT[7]	0
Bit 6	R/W	DL1_BIT[6]	0
Bit 5	R/W	DL1_BIT[5]	0
Bit 4	R/W	DL1_BIT[4]	0
Bit 3	R/W	DL1_BIT[3]	0
Bit 2	R/W	DL1_BIT[2]	0
Bit 1	R/W	DL1_BIT[1]	0
Bit 0	R/W	DL1_BIT[0]	0

This register controls the bits involved in the data link insertion from TDPR#1.

DL1_BIT[7:0]:

The data link 1 bit select (DL1_BIT[7:0]) bits control which bits of the time slot are to be overwritten with the data link stream from TDPR#1. If DL1_BIT[x] is a logic one, the data link is inserted on that bit. To insert the data link into the entire timeslot, all eight bits must be set to a logic 1. DL1_BIT[7] corresponds to the MSB and DL1_BIT[0] corresponds to the LSB of the timeslot. These bits have no effect when DL1_EVEN and DL1_ODD are both logic 0.

Register 02AH, 0AAH, 12AH, 1AAH, 22AH, 2AAH, 32AH, 3AAH (TXCISEL = 1): TXCI Transmit Data Link 2 Control

Bit	Type	Function	Default
Bit 7	R/W	DL2_EVEN	0
Bit 6	R/W	DL2_ODD	0
Bit 5		Unused	X
Bit 4	R/W	DL2_TS[4]	0
Bit 3	R/W	DL2_TS[3]	0
Bit 2	R/W	DL2_TS[2]	0
Bit 1	R/W	DL2_TS[1]	0
Bit 0	R/W	DL2_TS[0]	0

This register controls the insertion of the data link generated by TDPR #2 into the transmit data stream. Refer to the “Using the Internal HDLC Transmitters” description in the Operation section for details on sourcing HDLC frames.

DL2_EVEN:

This data link 2 even select (DL2_EVEN) bit controls whether or not the data link from TDPR#2 is inserted into the chosen timeslot of even frames of the data stream. If DL2_EVEN is a logic 0, the data link is not inserted into the even frames. If DL2_EVEN is a logic 1, the data link is inserted into the even frames. Even/odd frames are set by the CRC multiframe alignment. The FAS Bits are contained in the even frames.

DL2_ODD:

This data link 2 odd select (DL2_ODD) bit controls whether or not the data link from TDPR#2 is inserted into the chosen timeslot of odd frames of the data stream. If DL2_ODD is a logic 0, the data link is not inserted into the odd frames. If DL2_ODD is a logic 1, the data link is inserted into the odd frames. Even/odd frames are set by the CRC multiframe alignment. The National Bits are contained in the odd frames.

DL2_TS[4:0]:

The data link 2 timeslot (DL2_TS[4:0]) bits give a binary representation of the timeslot into which the TDPR#2 inserts the data link. These bits have no effect when DL2_EVEN and DL2_ODD are both a logic 0.

**Registers 02BH, 0ABH, 12BH, 1ABH, 22BH, 2ABH, 32BH, 3ABH
(TXCISEL = 1): TXCI Data Link 2 Bit Select Register**

Bit	Type	Function	Default
Bit 7	R/W	DL2_BIT[7]	0
Bit 6	R/W	DL2_BIT[6]	0
Bit 5	R/W	DL2_BIT[5]	0
Bit 4	R/W	DL2_BIT[4]	0
Bit 3	R/W	DL2_BIT[3]	0
Bit 2	R/W	DL2_BIT[2]	0
Bit 1	R/W	DL2_BIT[1]	0
Bit 0	R/W	DL2_BIT[0]	0

This register controls the bits involved in the data link insertion from TDPR#2.

DL2_BIT[7:0]:

The data link 2 bit select (DL2_BIT[7:0]) bits control which bits of the time slot are to be overwritten with the data link stream from TDPR#2. If DL2_BIT[x] is a logic one, the data link is inserted on that bit. To insert the data link into the entire timeslot, all eight bits must be set to a logic 1. DL2_BIT[7] corresponds to

the MSB and DL2_BIT[0] corresponds to the LSB of the timeslot. These bits

Register 02CH, 0ACH, 12CH, 1ACH, 22CH, 2ACH, 32CH, 3ACH (TXCISEL = 1): TXCI Transmit Data Link 3 Control

Bit	Type	Function	Default
Bit 7	R/W	DL3_EVEN	0
Bit 6	R/W	DL3_ODD	0
Bit 5		Unused	X
Bit 4	R/W	DL3_TS[4]	0
Bit 3	R/W	DL3_TS[3]	0
Bit 2	R/W	DL3_TS[2]	0
Bit 1	R/W	DL3_TS[1]	0
Bit 0	R/W	DL3_TS[0]	0

This register controls the insertion of the data link generated by TDPR #3 into the transmit data stream. Refer to the “Using the Internal HDLC Transmitters” description in the Operation section for details on sourcing HDLC frames.

DL3_EVEN:

This data link 3 even select (DL3_EVEN) bit controls whether or not the data link from TDPR#3 is inserted into the chosen timeslot of even frames of the data stream. If DL3_EVEN is a logic 0, the data link is not inserted into the even frames. If DL3_EVEN is a logic 1, the data link is inserted into the even frames. Even/odd frames are set by the CRC multiframe alignment. The FAS Bits are contained in the even frames.

DL3_ODD:

This data link 3 odd select (DL3_ODD) bit controls whether or not the data link from TDPR#3 is inserted into the chosen timeslot of odd frames of the data stream. If DL3_ODD is a logic 0, the data link is not inserted into the odd frames. If DL3_ODD is a logic 1, the data link is inserted into the odd frames. Even/odd frames are set by the CRC multiframe alignment. The National Bits are contained in the odd frames.

DL3_TS[4:0]:

The data link 3 timeslot (DL3_TS[4:0]) bits give a binary representation of the timeslot into which the TDPR#3 inserts the data link. These bits have no effect when DL3_EVEN and DL3_ODD are both a logic 0.

**Registers 02DH, 0ADH, 12DH, 1ADH, 22DH, 2ADH, 32DH, 3ADH
(TXCISEL = 1): TXCI Data Link 3 Bit Select Register**

Bit	Type	Function	Default
Bit 7	R/W	DL3_BIT[7]	0
Bit 6	R/W	DL3_BIT[6]	0
Bit 5	R/W	DL3_BIT[5]	0
Bit 4	R/W	DL3_BIT[4]	0
Bit 3	R/W	DL3_BIT[3]	0
Bit 2	R/W	DL3_BIT[2]	0
Bit 1	R/W	DL3_BIT[1]	0
Bit 0	R/W	DL3_BIT[0]	0

This register controls the bits involved in the data link insertion from TDPR#3.

DL3_BIT[7:0]:

The data link 3 bit select (DL3_BIT[7:0]) bits control which bits of the time slot are to be overwritten with the data link stream from TDPR#3. If DL3_BIT[x] is a logic one, the data link is inserted on that bit. To insert the data link into the entire timeslot, all eight bits must be set to a logic 1. DL3_BIT[7] corresponds to the MSB and DL3_BIT[0] corresponds to the LSB of the timeslot. These bits have no effect when DL3_EVEN and DL3_ODD are both logic 0.

Registers 030H, 0B0H, 130H, 1B0H, 230H, 2B0H, 330H, 3B0H: E1 FRMR
Frame Alignment Options

Bit	Type	Function	Default
Bit 7	R/W	CRCEN	1
Bit 6	R/W	CASDIS	0
Bit 5	R/W	C2NCIWCK	0
Bit 4		Unused	X
Bit 3		Unused	X
Bit 2	R/W	REFR	0
Bit 1	R/W	REFCRCE	1
Bit 0	R/W	REFRDIS	0

This register selects the various framing formats and framing algorithms supported by the FRMR block.

CRCEN:

The CRCEN bit enables the FRMR to frame to the CRC multiframe. When the CRCEN bit is logic 1, the FRMR searches for CRC multiframe alignment and monitors for errors in the alignment. A logic 0 in the CRCEN bit position disables searching for CRC multiframe and suppresses the OOCMF, CRCE, CMFER, FEBE, CFEFE, RAICCRC, C2NIW, and ICMFPI FRMR status/interrupt bits, forcing them to logic 0.

CASDIS:

The CASDIS bit enables the FRMR to frame to the Channel Associated Signaling multiframe when set to a logic 0. When CAS is enabled, the FRMR searches for signaling multiframe alignment and monitors for errors in the alignment. A logic 1 in the CASDIS bit position disables searching for multiframe and suppresses the OOSMF and the SMFER FRMR outputs, forcing them to logic 0.

C2NCIWCK:

The C2NCIWCK bit enables the continuous checking for CRC multiframe in the CRC to non-CRC interworking mode of the E1 FRMR. If this bit is a logic zero, the E1-FRMR will cease searching for CRC multiframe alignment in CRC to non-CRC interworking mode. If this bit is a logic one, the E1-FRMR

will continue searching for CRC multiframe alignment, even if CRC to non-CRC interworking has been declared.

REFR:

A transition from logic 0 to logic 1 in the REFR bit position forces the re-synchronization to a new frame alignment. The bit must be cleared to logic 0, then set to logic 1 again to generate subsequent re-synchronizations.

REFCRCE:

The REFCRCE bit enables excessive CRC errors (≥ 915 errors in one second) to force a re-synchronization to a new frame alignment. Setting the REFCRCE bit position to logic 1 enables reframe due to excessive CRC errors; setting the REFCRCE bit to logic 0 disables CRC errors from causing a reframe.

REFRDIS:

The REFRDIS bit disables reframing under any error condition once frame alignment has been found; reframing can be initiated by software via the REFR bit. A logic 1 in the REFRDIS bit position causes the FRMR to remain "locked in frame" once initial frame alignment has been found. A logic 0 allows reframing to occur based on the various error criteria (FER, excessive CRC errors, etc.). Note that while the FRMR remains locked in frame due to REFRDIS=1, a received AIS will not be detected since the FRMR must be out-of-frame to detect AIS.

Registers 031H, 0B1H, 131H, 1B1H, 231H, 2B1H, 331H, 3B1H: E1 FRMR Maintenance Mode Options

Bit	Type	Function	Default
Bit 7		Unused	X
Bit 6	R/W	BIT2C	1
Bit 5	R/W	SMFASC	0
Bit 4	R/W	TS16C	0
Bit 3	R/W	RAIC	0
Bit 2		Unused	X
Bit 1	R/W	AISC	X
Bit 0	R	EXCRCERR	X

BIT2C:

The BIT2C bit enables the additional criterion that loss of frame is declared when bit 2 in time slot 0 of NFAS frames has been received in error on 3 consecutive occasions. A logic 1 in the BIT2C position enables declaration of loss of frame alignment when bit 2 is received in error; a logic 0 in BIT2C enables declaration of loss of frame alignment based on only the FAS bits.

SMFASC:

The SMFASC bit selects the criterion used to declare loss of signaling multiframe alignment signal. A logic 0 in the SMFASC bit position enables declaration of loss of signaling multiframe alignment when 2 consecutive multiframe alignment patterns have been received in error; a logic 1 in the SMFASC bit position enables declaration of loss of signaling multiframe when 2 consecutive multiframe alignment patterns have been received in error or when timeslot 16 contains logic 0 in all bit positions for 1 or 2 multiframes based on the criterion selected by TS16C.

TS16C:

The TS16C bit selects the criterion used to declare loss of signaling multiframe alignment signal when enabled by the SMFASC. A logic 0 in the TS16C bit position enables declaration of loss of signaling multiframe alignment when timeslot 16 contains logic 0 in all bit positions for 1 multiframe; a logic 1 in the TS16C bit position enables declaration of loss of

signaling multiframe when time slot 16 contains logic 0 in all bit positions for 2 consecutive signaling multiframes.

RAIC:

The RAIC bit selects criterion used to declare a Remote Alarm Indication (RAI). If RAIC is logic 0, the RAIV indication is asserted upon reception of any A=1 (bit 3 of NFAS frames) and is deasserted upon reception of any A=0. If RAIC is logic 1, the RAIV indication is asserted if A=1 is received on 4 or more consecutive occasions, and is cleared upon reception of any A=0.

AISC:

The AISC bit selects the criterion used for determining AIS alarm indication. If AISC is logic 0, AIS is declared if there is a loss of frame (LOF) indication and a 512 bit period is received with less than 3 zeros. If AISC is a logic 1, AIS is declared if less than 3 zeros are detected in each of 2 consecutive 512 bit periods and is cleared when 3 or more zeros are detected in each of 2 consecutive 512 bit intervals.

EXCRCERR:

The EXCRCERR bit is an active high status bit indicating that excessive CRC evaluation errors (i.e. ≥ 915 error in one second) have occurred, thereby initiating a reframe if enabled by the REFCRCE bit of the Frame Alignment Options register. The EXCRCERR bit is reset to logic 0 after the register is read.

Registers 032H, 0B2H, 132H, 1B2H, 232H, 2B2H, 332H, 3B2H: E1 FRMR Framing Status Interrupt Enable

Bit	Type	Function	Default
Bit 7	R/W	C2NCIWE	0
Bit 6	R/W	OOFE	0
Bit 5	R/W	OOSMFE	0
Bit 4	R/W	OOCMFE	0
Bit 3	R/W	COFAE	0
Bit 2	R/W	FERE	0
Bit 1	R/W	SMFERE	1
Bit 0	R/W	CMFERE	0

C2NCIWE, OOFE, OOSMFE and OOCMFE:

A logic one in bits C2NCIWE, OOFE, OOSMFE and OOCMFE enables the generation of an interrupt on a change of state of C2NCIWV, OOFV, OOSMFV and OOCMFV bits respectively of the Framing Status register.

COFAE:

A logic one in the COFAE bit enables the generation of an interrupt when the position of the frame alignment has changed.

FERE:

A logic one in the FERE bit enables the generation of an interrupt when an error has been detected in the frame alignment signal.

SMFERE:

A logic one in the SMFERE bit enables the generation of an interrupt when an error has been detected in the signaling multiframe alignment signal.

CMFERE:

A logic one in the CMFERE bit enables the generation of an interrupt when an error has been detected in the CRC multiframe alignment signal.

Registers 033H, 0B3H, 133H, 1B3H, 233H, 2B3H, 333H, 3B3H: E1 FRMR Maintenance/Alarm Status Interrupt Enable

Bit	Type	Function	Default
Bit 7	R/W	RAIE	0
Bit 6	R/W	RMAIE	0
Bit 5	R/W	AISDE	0
Bit 4	R/W	Reserved	0
Bit 3	R/W	REDE	0
Bit 2	R/W	AISE	0
Bit 1	R/W	FEBEE	0
Bit 0	R/W	CRCEE	0

RAIE, RMAIE, AISDE, REDE and AISE:

A logic one in bits RAIE, RMAIE, AISDE, REDE or AISE enables the generation of an interrupt on a change of state of the RAIV, RMAIV, AISD, RED and AIS bits respectively of the FRMR Maintenance/Alarm Status register.

FEBEE:

When the FEBEE bit is a logic one, an interrupt is generated when a logic zero is received in the Si bits of frames 13 or 15.

CRCEE:

When the CRCEE bit is a logic one, an interrupt is generated when calculated CRC differs from the received CRC remainder.

Registers 034H, 0B4H, 134H, 1B4H, 234H, 2B4H, 334H, 3B1H: E1 FRMR Framing Status Interrupt Indication

Bit	Type	Function	Default
Bit 7	R	C2NCIWI	X
Bit 6	R	OOFI	X
Bit 5	R	OOSMFI	X
Bit 4	R	OOCMFI	X
Bit 3	R	COFAI	X
Bit 2	R	FERI	X
Bit 1	R	SMFERI	X
Bit 0	R	CMFERI	X

A logic 1 in any bit position of this register indicates which framing status generated an interrupt by changing state.

C2NCIWI, OOFI, OOSMFI, OOCMFI, and COFAI:

C2NCIWI, OOFI, OOSMFI, OOCMFI, and COFAI indicate when the corresponding status has changed state from logic 0 to logic 1 or vice-versa.

FERI, SMFERI, CMFERI:

FERI, SMFERI, CMFERI indicate when a framing error, signaling multiframe error or CRC multiframe error event has been detected; these bits will be set if one or more errors have occurred since the last register read.

The interrupt indications within this register work independently from the interrupt enable bits, allowing the microprocessor to poll the register to determine the state of the framer. The contents of this register are cleared to logic 0 after the register is read; the interrupt is also cleared if it was generated by any of the Framing Status outputs.

Registers 035H, 0B5H, 135H, 1B5H, 235H, 2B5H, 335H, 3B5H: E1 FRMR Maintenance/Alarm Status Interrupt Indication

Bit	Type	Function	Default
Bit 7	R	RAII	X
Bit 6	R	RMAII	X
Bit 5	R	AISDI	X
Bit 4	R	Reserved	X
Bit 3	R	REDI	X
Bit 2	R	AISI	X
Bit 1	R	FEBEI	X
Bit 0	R	CRCEI	X

A logic 1 in any bit position of this register indicates which maintenance or alarm status generated an interrupt by changing state.

RRAI, RRMAL, AISDI, REDI, and AISI:

RRAI, RRMAL, AISDI, REDI, and AISI indicate when the corresponding FRMR Maintenance/Alarm Status register bit has changed state from logic 0 to logic 1 or vice-versa.

FEBEI:

The FEBEI bit becomes a logic one when a logic zero is received in the Si bits of frames 13 or 15.

CRCEI:

The CRCEI bit becomes a logic one when a calculated CRC differs from the received CRC remainder.

The bits in this register are set by a single error event.

The interrupt indications within this register work independently from the interrupt enable bits, allowing the microprocessor to poll the register to determine the state of the framer. The contents of this register are cleared to logic 0 after the register is read; the interrupt is also cleared if it was generated by one of the Maintenance/Alarm Status events.

Registers 036H, 0B6H, 136H, 1B6H, 236H, 2B6H, 336H, 3B6H: E1 FRMR Framing Status

Bit	Type	Function	Default
Bit 7	R	C2NCIWV	X
Bit 6	R	OOFV	X
Bit 5	R	OOSMFV	X
Bit 4	R	OOCMFV	X
Bit 3	R	OOOFV	X
Bit 2	R	RAICCRCV	X
Bit 1	R	CFEBEV	X
Bit 0	R	V52LINKV	X

C2NCIWV:

The C2NCIWV bit is set to logic one while the FRMR is operating in CRC to non-CRC interworking mode. The C2NCIWV bit goes to a logic zero once when the FRMR exits CRC to non-CRC interworking mode.

OOFV:

The OOFV bit is a logic one when basic frame alignment has been lost. The OOFV bit goes to a logic zero once frame alignment has been regained.

OOSMFV:

The OOSMFV bit is a logic one when the signaling multiframe alignment has been lost. The OOSMF bit becomes a logic zero once signaling multiframe has been regained.

OOCMFV:

The OOCMFV bit is a logic one when the CRC multiframe alignment has been lost. The OOCMFV bit becomes a logic zero once CRC multiframe has been regained.

OOOFV:

This bit indicates the current state of the out of offline frame (OOOF) indicator. OOOFV is asserted when the offline framer in the CRC multiframe find procedure is searching for frame alignment.

RAICCRCV:

This bit indicates the current state of the RAI and continuous CRC (RAICCRC) indicator. RAICCRCV is asserted when the remote alarm (A bit) is set high and the CRC error (E bit) is set low for a period of 10 ms.

CFEBEV:

This bit indicates the current state of the continuous FEBE (CFEBE) indicator. CFEBEV is asserted when the CRC error (E bit) is set high on more than 990 occasions in each second (i.e. out of 1000 CRC-4 blocks) for the last 5 consecutive seconds.

V52LINKV:

This bit indicates the current state of the V5.2 link (V52LINK) identification signal indicator. V52LINKV will be asserted if 2 out of 3 Sa7 bits are received as a logic 0.

Registers 037H, 0B7H, 137H, 1B7H, 237H, 2B7H, 337H, 3B7H: E1 FRMR Maintenance/Alarm Status

Bit	Type	Function	Default
Bit 7	R	RAIV	X
Bit 6	R	RMAIV	X
Bit 5	R	AISD	X
Bit 4		Reserved	X
Bit 3	R	RED	X
Bit 2	R	AIS	X
Bit 1		Unused	X
Bit 0		Unused	X

RAIV:

The RAIV bit indicates the remote alarm indication (RAI) value. The RAIV bit is set to logic one when the “A” bit (bit 3 in time slot 0 of the non-frame alignment signal frame) has been logic one for an interval specified by the RAIC bit. In the first mode, RAIV is set when A=1 for 4 or more consecutive intervals, and is cleared upon reception of any A=0. In the second mode, RAI is set upon reception of any A=1, and is cleared upon reception of any A=0. The RAIV output is updated every two frames.

RMAIV:

The RMAIV bit indicates the remote multiframe alarm indication (RMAI) value. The RMAIV bit is set to logic one when the “Y” bit (bit 6 in time slot 16 in frame 0 of the signaling multiframes) has been a logic one for 3 consecutive signaling multiframes, and is cleared upon reception of any Y=0. The RMAIV bit is updated every 16 frames.

AISD:

The AISD bit indicates the alarm indication signal (AIS) detect value. The AISD bit is set to logic one when the incoming data stream has a low zero-bit density for an interval specified by the AISC bit. In the first mode, AISD is asserted when 512 bit periods have been received with 2 or less zeros. The indication is cleared when a 512 bit period is received with 3 or more zeros. In the second mode, AISD is asserted when two consecutive 512 bit periods have been received with 2 or less zeros. The indication is cleared when 2

consecutive 512 bit periods are received, with each period containing 3 or more zeros. The AISD bit is updated once every 512 bit periods.

RED:

The RED bit is a logic one if an out of frame condition has persisted for 100 ms. The RED bit returns to a logic zero when a out of frame condition has been absent for 100 ms.

AIS:

The AIS bit is a logic one when an out of frame all-ones condition has persisted for 100 ms. The AIS bit returns to a logic zero when the AIS condition has been absent for 100 ms.

Registers 038H, 0B8H, 138H, 1B8H, 238H, 2B8H, 338H, 3B8H: E1 FRMR Timeslot 0 International/National Bits

Bit	Type	Function	Default
Bit 7	R	Si[1]	X
Bit 6	R	Si[0]	X
Bit 5	R	A	X
Bit 4	R	Sa[4]	X
Bit 3	R	Sa[5]	X
Bit 2	R	Sa[6]	X
Bit 1	R	Sa[7]	X
Bit 0	R	Sa[8]	X

This register returns the International and National bits from TS0 of incoming frames. The Si[1:0], A, and Sa[4:8] bits map to TS0 frames as follows:

Table 15 - Timeslot 0 Bit Position Allocation

Frame	1	2	3	4	5	6	7	8
FAS	Si[1]	0	0	1	1	0	1	1
NFAS	Si[0]	1	A	Sa[4]	Sa[5]	Sa[6]	Sa[7]	Sa[8]

Note that the contents of this register are not updated while the E1-FRMR is out of CRC multiframe.

Si[1]:

Reading the Si[1] bit returns the International bit in the last received FAS frame. This bit is updated upon generation of the IFPI interrupt on FAS frames.

Si[0]:

Reading the Si[0] bit returns the International bit in the last received NFAS frame. This bit is updated upon generation of the IFPI interrupt on NFAS frames.

A:

Reading the A bit position returns the Remote Alarm Indication (RAI) bit in the last received NFAS frame. This bit is updated upon generation of the IFPI interrupt on NFAS frames.

Sa[4:8]:

Reading these bits returns the National bit values in the last received NFAS frame. This bit is updated upon generation of the IFPI interrupt on NFAS frames.

Table 16 - TS0 NFAS Bits

1	2	3	4	5	6	7	8
Si0	1	A	Sa[4]	Sa[5]	Sa[6]	Sa[7]	Sa[8]

**Registers 039H, 0B9H, 139H, 1B9H, 239H, 2B9H, 339H, 3B9H: E1 FRMR
CRC Error Counter – LSB**

Bit	Type	Function	Default
Bit 7	R	CRCERR[7]	X
Bit 6	R	CRCERR[6]	X
Bit 5	R	CRCERR[5]	X
Bit 4	R	CRCERR[4]	X
Bit 3	R	CRCERR[3]	X
Bit 2	R	CRCERR[2]	X
Bit 1	R	CRCERR[1]	X
Bit 0	R	CRCERR[0]	X

CRCERR[7:0]:

The CRCERR register bits contain the least significant byte of the 10-bit CRC error counter value, which is updated every second.

**Registers 03AH, 0BAH, 13AH, 1BAH, 23AH, 2BAH, 33AH, 3BAH: E1
FRMR CRC Error Counter – MSB/Timeslot 16 Extra Bits**

Bit	Type	Function	Default
Bit 7	R	OVR	0
Bit 6	R	NEWDATA	0
Bit 5	R	X[0]	X
Bit 4	R	Y	X
Bit 3	R	X[1]	X
Bit 2	R	X[2]	X
Bit 1	R	CRCERR[9]	X
Bit 0	R	CRCERR[8]	X

NEWDATA:

The NEWDATA flag bit indicates that the CRCERR counter register contents have been updated with a new count value accumulated over the last 1 second interval. It is set to logic 1 when the CRC error counter data is transferred into the counter registers, and is reset to logic 0 when this register is read. This bit can be polled to determine the 1 second timing boundary used by the FRMR.

OVR:

The OVR flag bit indicates that the CRCERR counter register contents have not been read within the last 1 second interval, and therefore have been overwritten. It is set to logic 1 if CRC error counter data is transferred into the counter registers before the previous data has been read out, and is reset to logic 0 when this register is read.

X[0], Y, X[1], X[2]:

Reading these bits returns the value of the Extra bits (X[0:2]) and the Remote Signaling Multiframe Alarm bit (Y) in Frame 0, Timeslot 16 of the last received Signaling multiframe. These bits are updated upon generation of the IFPI interrupt on NFAS frames. They map to timeslot 16 as shown in the table below. Note that the contents of this register are not updated while the E1-FRMR is out of frame.

Table 17 - Timeslot 16, Frame 0 Bit Position Allocation

Frame	1	2	3	4	5	6	7	8
0	0	0	0	0	X[0]	Y	X[1]	X[2]

CRCERR[9:8]:

The CRCERR register bits contain the two most significant bits of the 10-bit CRC error counter value, which is updated every second.

Registers 03BH, 0BBH, 13BH, 1BBH, 23BH, 2BBH, 33BH, 3BBH: E1 FRMR National Bit Codeword Interrupt Enables

Bit	Type	Function	Default
Bit 7	R/W	SaSEL[2]	0
Bit 6	R/W	SaSEL[1]	0
Bit 5	R/W	SaSEL[0]	0
Bit 4	R/W	Sa4E	0
Bit 3	R/W	Sa5E	0
Bit 2	R/W	Sa6E	0
Bit 1	R/W	Sa7E	0
Bit 0	R/W	Sa8E	0

SaSEL[2:0]:

The SaSEL[2:0] bits selects which National Bit Codeword appears in the SaX[1:4] bits of the National Bit Codeword register. These bits map to the codeword selection as follows:

Table 18 - National Bit Codeword Selection

SaSEL[2:0]	National Bit Codeword
001	Undefined
010	Undefined
011	Undefined
100	Sa4
101	Sa5
110	Sa6
111	Sa7
000	Sa8

Sa4E, Sa5E, Sa6E, Sa7E, Sa8E:

The National Use interrupt enables allow changes in Sa code word values to generate an interrupt. If SaXE is a logic 1, a logic 1 in the SaXI bit of the International Bits/National Interrupt Status register will result in the assertion low of the INTB output.

The interrupt enable should be logic 0 for any bit receiving a HDLC datalink.

Registers 03CH, 0BCH, 13CH, 1BCH, 23CH, 2BCH, 33CH, 3BCH: E1 FRMR National Bit Codeword Interrupts

Bit	Type	Function	Default
Bit 7		Unused	X
Bit 6		Unused	X
Bit 5		Unused	X
Bit 4	R	Sa4I	X
Bit 3	R	Sa5I	X
Bit 2	R	Sa6I	X
Bit 1	R	Sa7I	X
Bit 0	R	Sa8I	X

Sa4I, Sa5I, Sa6I, Sa7I, Sa8I:

The National Use interrupt status bits indicate if the debounced version of the individual bits has changed since the last time this register has been read. A logic 1 in one of the bit positions indicates a new nibble codeword is available in the associated SaX[1:4] bits in the National Bit Codeword registers, where N is 4 through 8. If the associated SaXE bit in the E1 FRMR National Bit Interrupt Enable register is a logic 1, a logic 1 in the SaXI results in the assertion of the INTB output.

Registers 03DH, 0BDH, 13DH, 1BDH, 23DH, 2BDH, 33DH, 3BDH: E1 FRMR National Bit Codeword

Bit	Type	Function	Default
Bit 7		Unused	X
Bit 6		Unused	X
Bit 5		Unused	X
Bit 4		Unused	X
Bit 3	R	SaX[1]	X
Bit 2	R	SaX[2]	X
Bit 1	R	SaX[3]	X
Bit 0	R	SaX[4]	X

SaX[1:4]:

Reading these bits returns the SaX nibble code word extracted from the sub-multiframe., where 'X' corresponds to the National bit selected by the SaSEL[2:0] bits in the National Bit Codeword Interrupt Enables register. SaX[1] is from the first SaX bit of the sub-multiframe; SaX[4] is from the last. A change in these bit values sets the Sa[X] bit of the International Bits/National Interrupt Status register..

**Registers 03EH, 0BEH, 13EH, 1BEH, 23EH, 2BEH, 33EH, 3BEH: E1 FRMR
Frame Pulse/Alarm/V5.2 Link ID Interrupt Enables**

Bit	Type	Function	Default
Bit 7	R/W	OOOFE	0
Bit 6	R/W	RAICCRCE	0
Bit 5	R/W	CFEBEE	0
Bit 4	R/W	V52LINKE	0
Bit 3	R/W	IFPE	0
Bit 2	R/W	ICSMFPE	0
Bit 1	R/W	ICMFPE	0
Bit 0	R/W	ISMFPE	0

OOOFE:

A logic one in the OOOFE bit enables the generation of an interrupt when the out of offline frame interrupt (OOOFI) is asserted.

RAICCRCE:

A logic one in the RAICCRCE bit enables the generation of an interrupt when a RAI and Continuous CRC condition has been detected in the incoming data stream.

CFEBEE:

A logic one in the CFEBEE bit enables the generation of an interrupt when continuous FEBEs have been detected in the incoming data stream.

V52LINKE:

A logic one in the V52LINKE bit enables the generation of an interrupt when a V5.2 link identification has been detected in the Sa7 bits.

IFPE:

The input frame pulse interrupt enable bit allows interrupts to be generated on each basic frame pulse. If IFPE is a logic 1, a logic 1 in the IFPI bit of the Frame Pulse Interrupts register will result in the assertion low of the INTB output.

ICSMFPE:

The input frame pulse interrupt enable bit allows interrupts to be generated on each CRC sub-multiframe pulse. If ICSMFPE is a logic 1, a logic 1 in the ICSMFPI bit of the Frame Pulse Interrupts register will result in the assertion low of the INTB output.

ICMFPE:

The input frame pulse interrupt enable bit allows interrupts to be generated on each CRC multiframe pulse. If ICMFPE is a logic 1, a logic 1 in the ICMFPI bit of the Frame Pulse Interrupts register will result in the assertion low of the INTB output.

ISMFPE:

The input frame pulse interrupt enable bit allows interrupts to be generated on each signaling multiframe pulse. If ISMFPE is a logic 1, a logic 1 in the ISMFPI bit of the Frame Pulse Interrupts register will result in the assertion low of the INTB output.

**Registers 03FH, 0BFH, 13FH, 1BFH, 23FH, 2BFH, 33FH, 3BFH: E1 FRMR
Frame Pulse/Alarm Interrupts**

Bit	Type	Function	Default
Bit 7	R	OOOFI	X
Bit 6	R	RAICCRCI	X
Bit 5	R	CFEBEI	X
Bit 4	R	V52LINKI	X
Bit 3	R	IFPI	X
Bit 2	R	ICSMFPI	X
Bit 1	R	ICMFPI	X
Bit 0	R	ISMFPI	X

OOOFI:

The OOOFI bit indicates when the out of offline frame indicator (OOOFV) changes state.

RAICCRCI:

The RAICCRCI bit indicates when a RAI and Continuous CRC condition has been detected in the incoming data stream. This interrupt is triggered when the remote alarm (A bit) is set high and the CRC error (E bit) is set low for a period of 10 ms.

CFEBEI:

The CFEBEI bit indicates when continuous FEBEs have been detected in the incoming data stream. This interrupt is triggered when the CRC error (E bit) is set high on more than 990 occasions in each second (i.e. out of 1000 CRC-4 blocks) for 5 consecutive seconds.

V52LINKI:

V52LINKI indicates when a V5.2 link identification signal has been detected or lost in the Sa7 bits. This bit will toggle any time the V52LINKV bit changes state.

IFPI:

The input frame pulse interrupt status bit is asserted at bit position 1 of the frame in the incoming data stream.

ICSMFPI:

The input CRC sub-multiframe alignment frame pulse interrupt status bit is asserted at bit position 1 of frame 0 of the CRC sub-multiframe in the incoming data stream.

ICMFPI:

The input CRC multiframe alignment frame pulse interrupt status bit is asserted at bit position 1 of frame 0 of the CRC multiframe in the incoming data stream.

ISMFPI:

The input signaling multiframe alignment frame pulse interrupt status bit is asserted at bit position 1 of frame 0 of the signaling multiframe in the incoming data stream.

Registers 040H, 0C0H, 140H, 1C0H, 240H, 2C0H, 340H, 3C0H: E1 TRAN Configuration

Bit	Type	Function	Default
Bit 7	R/W	Reserved	0
Bit 6	R/W	SIGEN	1
Bit 5	R/W	DLEN	1
Bit 4	R/W	GENCRC	0
Bit 3	R/W	FDIS	0
Bit 2	R/W	FEBEDIS	0
Bit 1	R/W	INDIS	0
Bit 0	R/W	XDIS	0

Reserved:

This register bit is reserved and should be set to logic 0 for proper operation.

SIGEN, DLEN:

The SIGEN and DLEN bits select the signaling data source for Timeslot 16 (TS16) as follows:

Table 19 - E1 Signaling Insertion Mode

SIGEN	DLEN	MODE
0	0	Signaling insertion disabled or CCS enabled. TS16 data is taken directly from the input ED[x] TS16 or from the TDPR as selected by the TXCI block. XDIS must also be set to logic 1 in this mode to disable insertion of the extra bits in TS16 of frame 0.
0	1	Reserved
1	0	Reserved.
1	1	CAS enabled. TS16 data is taken from either ESIG[x] stream or from the TPSC Signaling/PCM Control byte as selected on a per-timeslot basis via the SIGSRC bit. The format of the ESIG[x] input data stream is shown in the "Functional Timing" section.

When channel associated signaling (CAS) is enabled, the format of the input ESIG[x] stream is selected by the DLEN bit. A logic 1 in the DLEN bit position selects the PMC compatible format in which the ESIG[x] stream contains the signaling data nibble in the lower four bits of the time slot byte. A logic 0 in the DLEN bit position is reserved and should not be used.

GENCRC:

The GENCRC bit enables generation of the CRC multiframe when set to logic 1. When enabled, the TRAN generates the CRC multiframe alignment signal, calculates and inserts the CRC bits, and if enabled by FEBEDIS, inserts the FEBE indication in the spare bit positions. The CRC bits transmitted during the first sub-multiframe (SMF) are indeterminate and should be ignored. The CRC bits calculated during the transmission of the 'n'th SMF (SMF n) are transmitted in the following SMF (SMF n+1). When GENCRC is set to logic 0, the CRC generation is disabled. The CRC bits are then set to the logic value contained in the Si[1] bit position in the International Bit Control Register and bit 1 of the NFAS frames are set to the value of Si[0] bit if enabled by INDIS, or, if not enabled by INDIS, are taken directly from ED[x]. When ED[x] or Si[1] are transmitted in lieu of the calculated CRC bits, there is no delay of one SMF (i.e., the ED[x] bits received in SMF n are transmitted in the same SMF). The same applies when substituting Si[1] in place of the calculated CRC bits.

FDIS:

The FDIS bit value controls the generation of the framing alignment signal. A logic 1 in the FDIS bit position disables the generation of the framing pattern in TS0 and allows the incoming data on ED[x] to pass through the TRAN transparently. A logic 0 in FDIS enables the generation of the framing pattern, replacing TS0 of frames 0, 2, 4, 6, 8, 10, 12 and 14 with the frame alignment signal, and if enabled by INDIS, replacing TS0 of frames 1, 3, 5, 7, 9, 11, 13 and 15 with the contents of the International Bit Control and National Bit Codeword Registers. When FDIS is a logic 1, framing is globally disabled and the values in control bits GENCRC, FEBEDIS, and INDIS are ignored.

Note that the above is true only if the AIS bit in the TRAN Transmit Alarm/Diagnostic Control register is a logic 0. If AIS is logic 1, the output bit stream becomes all ones unconditionally.

INDIS, GENCRC and FEBEDIS:

The INDIS bit controls the insertion of the International and National Bits into TS0. It is only valid if FDIS is a logic 0.

When INDIS is a logic 1, the contents of the E1-TRAN International Bit

Control register and the National Bit Codeword registers are ignored and the values for those bit positions in the output stream are taken directly from the ED[x] stream and/or the data link transmitter, depending on the configuration of the TXCI.

When INDIS is set to logic 0, the contents of the E1-TRAN International Bit Control register and the National Bit Codeword registers are inserted into TS0. The bit values used for the International Bits are dependent upon the values of the GENCRC and FEBEDIS configuration bits, as shown in the following table:

Table 20 - E1 Timeslot 0 Insertion Control Summary (INDIS = FDIS = 0)

GENCRC	FEBEDIS	Source of International/National bits
0	X	Bit position Si[1] in the International Control Register is used for the International bit in the frame alignment signal (FAS) frames and the Si[0] bit in the non-frame alignment signal (NFAS) frames if INDIS is logic 0. The contents of the National Bit Codeword Registers are used for the National bits in NFAS frames.
1	0	The calculated CRC bits are used for the International bit in the FAS frames and the generated CRC multiframe alignment signal and the FEBE bits are used for the International bit in the NFAS frames. The contents of the National Bit Codeword Registers are used for the National bits in NFAS frames.
1	1	The calculated CRC bits are used for the International bit in the FAS frames and the generated CRC multiframe alignment signal is used for the International bit in the NFAS frames, with the Si[1:0] bits in the International Bits Control Register used for the spare bits. The contents of the National Bit Codeword Registers are used for the National bits in NFAS frames.

XDIS:

If FDIS is logic 0 and SIGEN is logic 1, the XDIS bit controls the insertion of the Extra bits in TS16 of frame 0 of the signaling multiframe as follows:

When XDIS is set to a logic 0, the X[0], X[1], and X[2] bit values of the E1-TRAN Extra Bits Control Register are inserted into TS16 of frame 0 of the signaling multiframe.

When XDIS is a logic 1, the contents of the register are ignored and the X[0], X[1], and X[2] bits are taken directly from the ED[x] stream.

Registers 041H, 0C1H, 141H, 1C1H, 241H, 2C1H, 341H, 3C1H: E1 TRAN Transmit Alarm/Diagnostic Control

Bit	Type	Function	Default
Bit 7	R/W	MTRK	0
Bit 6	R/W	FPATINV	0
Bit 5	R/W	SPLRINV	0
Bit 4	R/W	SPATINV	0
Bit 3	R/W	REMAIS	0
Bit 2	R/W	MFAIS	0
Bit 1	R/W	TS16AIS	0
Bit 0	R/W	AIS	0

MTRK:

The MTRK bit forces trunk conditioning (i.e., idle code substitution and signaling substitution) when set to logic 1. This has the same effect as setting data substitution to IDLE code on time slots 1-15 and 17-31 (setting the TPSC internal bits SUBS and DS[0] to binary 10 in time slots 1-15 and 17-31) and sourcing the signaling data from the TPCS stream, if SIGEN is logic 1. When SIGEN is logic 0, TS16 will be treated the same as time slots 1-15 and 17-31 and will contain IDLE code data sourced from the TPSC. TS0 data is determined by the control bits associated with it and is independent of the value of MTRK.

FPATINV:

The FPATINV bit is a diagnostic control bit. When set to logic 1, FPATINV forces the frame alignment signal (FAS) to be inverted (i.e., the correct FAS, 0011011, is substituted with 1100100). When set to logic 0, the FAS is unchanged.

SPLRINV:

The SPLRINV bit is a diagnostic control bit. When set to logic 1, SPLRINV forces the “spoiler bit” in bit 2 of TS0 of NFAS frames to be inverted (i.e., the spoiler bit is forced to 0). When set to logic 0, the spoiler bit is unchanged.

SPATINV:

The SPATINV bit is a diagnostic control bit. When set to logic 1, SPATINV forces the signaling multiframe alignment signal written into bits 1-4 of TS16

of frame 0 of the signaling multiframe to be inverted (i.e., the correct signaling multiframe alignment signal, 0000, is substituted with 1111); when set to logic 0, the signaling multiframe alignment signal is unchanged.

REMAIS:

The REMAIS bit controls the transmission of the Remote Alarm Indication signal. A logic 1 in the REMAIS bit position causes bit 3 of NFAS frames to be forced to logic 1. Otherwise, bit 3 of NFAS frames is a logic 0 unless the AUTOYELLOW register bit is set and a receive defect is present.

MFAIS:

The MFAIS bit controls the transmission of the signaling multiframe Alarm Indication Signal. A logic 1 in the MFAIS bit position causes the Y-bit (bit 6) of TS16 of frame 0 of the signaling multiframe to be forced to logic 1. Otherwise, the Y-bit is a logic 0.

TS16AIS:

The TS16AIS bit controls the transmission of the Time Slot 16 Alarm Indication Signal (all-ones in TS16). A logic 1 in the TS16AIS bit position forces TS16 of all frames in the output stream to logic 1.

AIS:

The AIS bit controls the transmission of the Alarm Indication Signal (unframed all-ones). A logic 1 in the AIS bit position forces the output streams to logic 1.

Registers 042H, 0C2H, 142H, 1C2H, 242H, 2C2H, 342H, 3C2H: E1 TRAN International Bits Control

Bit	Type	Function	Default
Bit 7	R/W	Si[1]	1
Bit 6	R/W	Si[0]	1
Bit 5		Unused	X
Bit 4		Unused	X
Bit 3		Unused	X
Bit 2		Unused	X
Bit 1		Unused	X
Bit 0		Unused	X

Si[1:0]:

The bits Si[1] and Si[0] correspond to the International bits.

These bits are not used if frame generation is disabled (FDIS is logic 1) or if INDIS is logic 1.

When CRC multiframe generation is disabled (GENCRC is logic 0), the Si[1] and Si[0] bits can be programmed to any value and will be inserted into bit 1 of each FAS frame and NFAS frame, respectively.

When CRC multiframe generation is enabled (GENCRC is logic 1), and FEBE indication is disabled (FEBEDIS is logic 1), the values programmed in the Si[1] and Si[0] bit positions are inserted into the spare bit locations of frame 13 and frame 15, respectively, of the CRC multiframe.

When GENCRC is logic 1 and FEBEDIS is logic 0, both Si[1] and Si[0] are ignored.

The Si[1] and Si[0] bits should be programmed to a logic 1 when not being used to carry information.

**Registers 043H, 0C3H, 143H, 1C3H, 243H, 2C3H, 343H, 3C3H: E1 TRAN
Extra Bits Control**

Bit	Type	Function	Default
Bit 7		Unused	X
Bit 6		Unused	X
Bit 5		Unused	X
Bit 4		Unused	X
Bit 3	R/W	X[0]	1
Bit 2		Unused	X
Bit 1	R/W	X[1]	1
Bit 0	R/W	X[2]	1

X[2:0]:

The X[0], X[1], and X[2] bits control the value programmed in the X[0], X[1], and X[2] bit locations (bits 5, 7, and 8) in TS16 of frame 0 of the signaling multiframe, when enabled by XDIS. The X[0], X[1], and X[2] bits should be programmed to a logic 1 when not being used to carry information.

Registers 044H, 0C4H, 144H, 1C4H, 244H, 2C4H, 344H, 3C4H: E1 TRAN Interrupt Enable Register

Bit	Type	Function	Default
Bit 7		Unused	X
Bit 6		Unused	X
Bit 5		Unused	X
Bit 4	R/W	SIGMFE	0
Bit 3	R/W	FASE	0
Bit 2	R/W	MFE	0
Bit 1	R/W	SMFE	0
Bit 0	R/W	FRME	0

FRME:

When FRME is set to logic 1, the interrupt generated by the FRMI interrupt will assert INTB. When FRME is set to logic 0, the FRMI interrupt bit will not cause INTB to be asserted.

SMFE:

When SMFE is set to logic 1, the interrupt generated by the SMFI interrupt will assert INTB. When SMFE is set to logic 0, the SMFI interrupt will not cause INTB to be asserted.

MFE:

When MFE is set to logic 1, the interrupt generated by the MFI interrupt will assert INTB. When MFE is set to logic 0, the MFI interrupt bit will not cause INTB to be asserted.

FASE:

When FASE is set to logic 1, the interrupt generated by the FASI interrupt will assert INTB. When FASE is set to logic 0, the FASI interrupt bit will not cause INTB to be asserted.

SIGMFE:

When SIGMFE is set to logic 1, the interrupt generated by the SIGMFI interrupt will assert INTB. When SIGMFE is set to logic 0, the SIGMFI interrupt bit will not cause INTB to be asserted.

Registers 045H, 0C5H, 145H, 1C5H, 245H, 2C5H, 345H, 3C5H: E1 TRAN Interrupt Status Register

Bit	Type	Function	Default
Bit 7		Unused	X
Bit 6		Unused	X
Bit 5		Unused	X
Bit 4	R	SIGMFI	X
Bit 3	R	FASI	X
Bit 2	R	MFI	X
Bit 1	R	SMFI	X
Bit 0	R	FRMI	X

FRMI:

The FRMI interrupt bit is set to logic 1 on frame boundaries. The contents of this register are cleared to logic 0 after the register is read.

SMFI:

The SMFI interrupt bit is set to logic 1 at the end of the first frame of a CRC-4 sub multiframe. The contents of this register are cleared to logic 0 after the register is read.

MFI:

The MFI interrupt bit is set to logic 1 at the end of the first frame of a CRC-4 multiframe. The contents of this register are cleared to logic 0 after the register is read.

FASI:

The FASI interrupt bit is set to logic 1 on FAS frame boundaries. The contents of this register are cleared to logic 0 after the register is read.

SIGMFI:

The SIGMFI interrupt bit is set to logic 1 at the end of the first frame of a signaling multiframe. The contents of this register are cleared to logic 0 after the register is read.

**Registers 046H, 0C6H, 146H, 1C6H, 246H, 2C6H, 346H, 3C6H: E1 TRAN
National Bit Codeword Select**

Bit	Type	Function	Default
Bit 7	R/W	SaSEL[2]	0
Bit 6	R/W	SaSEL[1]	0
Bit 5	R/W	SaSEL[0]	0
Bit 4		Unused	X
Bit 3		Unused	X
Bit 2		Unused	X
Bit 1		Unused	X
Bit 0		Unused	X

SaSEL[2:0]:

The SaSEL[2:0] bits selects which National Bit Codeword is accessed by the SaX[1:4] bits of the National Bit Codeword register. These bits map to the codeword selection as follows:

Table 21 - National Bit Codeword Selection

SaSEL[2:0]	National Bit Codeword
000	Undefined
001	Undefined
010	Undefined
011	Sa4
100	Sa5
101	Sa6
110	Sa7
111	Sa8

Registers 047H, 0C7H, 147H, 1C7H, 247H, 2C7H, 347H, 3C7H: E1 TRAN National Bit Codeword

Bit	Type	Function	Default
Bit 7	R/W	SaX_EN[1]	0
Bit 6	R/W	SaX_EN[2]	0
Bit 5	R/W	SaX_EN[3]	0
Bit 4	R/W	SaX_EN[4]	0
Bit 3	R/W	SaX[1]	1
Bit 2	R/W	SaX[2]	1
Bit 1	R/W	SaX[3]	1
Bit 0	R/W	SaX[4]	1

SaX_EN[1:4]:

The SaX_EN[1:4] enable the bits SaX[1:4], respectively, to be inserted into their corresponding code word bit locations. If bits SaX_EN[1:4] are set to logic 1, then the contents of bits SaX[1:4], respectively, are substituted into the selected (via the SaSEL[2:0] bits of the E1 TRAN National Code Word Select Register) National Bits. If any of the bits SaX_EN[1:4] are set to logic 0, then the corresponding SaX[x] bit will not be substituted into the selected National Bit. National Bits which do not have their code word insertion enabled will pass through transparently or as configured for FDL purposes by the TXCI.

The contents of this register are ignored when the INDIS bit in the E1 TRAN Configuration register is a logic 1.

SaX[1:4]:

The codeword SaX[1:4] appears in National bit SaX of TS0 in frames 1, 3, 5, and 7 respectively (SMF I), and in frames 9, 11, 13, and 15 respective (SMF II) of a G.704 CRC-4 multiframe. The value of X is chosen by the SaSEL[2:0] bits in the E1 TRAN National Bit Codeword Select register.

The code word written in bits SaX[1:4] is latched internally and is updated every sub-multiframe. Therefore, if the code word is written during SMF I of a G.704 CRC-4 multiframe, it will appear in the SaX[1:4] bits of SMF II of the same multiframe. If the code word is written during SMF II of a multiframe, its contents will be latched internally and will appear in SMF I of the next multiframe.

Registers 048H, 0C8H, 148H, 1C8H, 248H, 2C8H, 348H, 3C8H: RDLC #1, #2, #3 Configuration

Bit	Type	Function	Default
Bit 7		Unused	X
Bit 6		Unused	X
Bit 5		Unused	X
Bit 4	R/W	Reserved	0
Bit 3	R/W	MEN	0
Bit 2	R/W	MM	0
Bit 1	R/W	TR	0
Bit 0	R/W	EN	0

Selection of the RDLC block (#1, #2, or #3) whose registers are visible on the microprocessor interface is done via the RDLCSEL[1:0] register bits in the Data Link Micro Select/Framer Reset register.

EN:

The enable (EN) bit controls the overall operation of the RDLC. When EN is set to logic 1, RDLC is enabled; when set to logic 0, RDLC is disabled. When the TSB is disabled, the FIFO buffer and interrupts are all cleared. When the TSB is enabled, it will immediately begin looking for flags.

TR:

Setting the terminate reception (TR) bit to logic 1 forces the RDLC to immediately terminate the reception of the current data frame, empty the FIFO buffer, clear the interrupts, and begin searching for a new flag sequence. The RDLC handles a terminate reception event in the same manner as it would the toggling of the EN bit from logic 1 to logic 0 and back to logic 1. Thus, the RDLC state machine will begin searching for flags. An interrupt will be generated when the first flag is detected. The TR bit will reset itself to logic 0 after a rising and falling edge have occurred on the CLK input, once the write strobe (CBI[9]) goes high. If the Configuration Register is read after this time, the TR bit value returned will be logic 0.

MEN:

Setting the Match Enable (MEN) bit to logic 1 enables the detection and storage in the FIFO of only those packets whose first data byte matches

either of the bytes written to the Primary or Secondary Match Address Registers, or the universal all ones address. When the MEN bit is logic 0, all packets received are written into the FIFO.

MM:

Setting the Match Mask (MM) bit to logic 1 ignores the PA[1:0] bits of the Primary Address Match Register, the SA[1:0] bits of the Secondary Address Match Register, and the two least significant bits of the universal all ones address when performing the address comparison.

Reserved:

This bit must be set to logic 0 for correct operation.

Registers 049H, 0C9H, 149H, 1C9H, 249H, 2C9H, 349H, 3C9H: RDLC #1, #2, #3 Interrupt Control

Bit	Type	Function	Default
Bit 7	R/W	INTE	0
Bit 6	R/W	INTC[6]	0
Bit 5	R/W	INTC[5]	0
Bit 4	R/W	INTC[4]	0
Bit 3	R/W	INTC[3]	0
Bit 2	R/W	INTC[2]	0
Bit 1	R/W	INTC[1]	0
Bit 0	R/W	INTC[0]	0

Selection of the RDLC block (#1, #2, or #3) whose registers are visible on the microprocessor interface is done via the RDLCSEL[1:0] register bits in the Data Link Micro Select/Framer Reset register.

The contents of the Interrupt Control Register should only be changed when the EN bit in the Configuration Register is logic 0. This prevents any erroneous interrupt generation.

INTC[6:0]:

The INTC[6:0] bits control the assertion of FIFO fill level set point interrupts. Whenever the number of bytes in the RDLC FIFO exceeds the value of INTC[6:0], INTR is set to logic 1 and, if INTE is set, an interrupt will be generated. This interrupt persists until the RDLC FIFO becomes empty. A value of 0 in INTC[6:0] is interpreted as decimal 128.

INTE:

The Interrupt Enable bit (INTE) must set to logic 1 to allow the internal interrupt status to be propagated to the INTB output.

Registers 04AH, 0CAH, 14AH, 1CAH, 24AH, 2CAH, 34AH, 3CAH: RDLC#1, #2, #3 Status

Bit	Type	Function	Default
Bit 7	R	FE	X
Bit 6	R	OVR	X
Bit 5	R	COLS	X
Bit 4	R	PKIN	X
Bit 3	R	PBS[2]	X
Bit 2	R	PBS[1]	X
Bit 1	R	PBS[0]	X
Bit 0	R	INTR	X

Selection of the RDLC block (#1, #2, or #3) whose registers are visible on the microprocessor interface is done via the RDLCSEL[1:0] register bits in the Data Link Micro Select/Framer Reset register.

The RDLC Status and Data registers should not be accessed at a rate greater than 1/15 of the XCLK rate.

INTR:

The interrupt (INTR) bit reflects the status of the INT output unless the INTE bit in the Interrupt Control Register is cleared to logic 0. In that case, the INT output is forced to logic 0 and the INTR bit of this register will reflect the state of the internal interrupt latch.

PBS[2:0]

The packet byte status (PBS[2:0]) bits indicate the status of the data last read from the FIFO. The bits are encoded as follows:

Table 22 - Receive Packet Byte Status

PBS[2:0]	Significance
000	Data byte read from the FIFO is not special
001	The data byte read from the FIFO is the dummy byte that was written into the FIFO when the first HDLC flag sequence (01111110) was detected. This indicates that the data link became active.
010	The data byte read from the FIFO is the dummy byte that was written into the FIFO when the HDLC abort sequence (01111111) was detected. This indicates that the data link became inactive.
011	Reserved
100	The data byte read from the FIFO is the last byte of a normally terminated packet with no CRC error and the packet received had an integer number of bytes.
101	The data byte read from the FIFO must be discard because there was a non-integer number of bytes in the packet.
110	The data byte read from the FIFO is the last byte of a normally terminated packet with a CRC error. The packet was received in error.
111	The data byte read from the FIFO is the last byte of a normally terminated packet with a CRC error and a non-integer number of bytes. The packet was received in error.

PKIN:

The Packet In (PKIN) bit is logic 1 when the last byte of a non-aborted packet is written into the FIFO. The PKIN bit is cleared to logic 0 after the Status Register is read.

COLS:

The Change of Link Status (COLS) bit is set to logic 1 if the RDLC has detected the HDLC flag sequence (01111110) or HDLC abort sequence (01111111) in the data. This indicates that there has been a change in the data link status. The COLS bit is cleared to logic 0 by reading this register or by clearing the EN bit in the Configuration Register. For each change in link status, a byte is written into the FIFO. If the COLS bit is found to be logic 1 then the FIFO must be read until empty. The status of the data link is determined by the PBS bits associated with the data read from the FIFO.

OVR:

The overrun (OVR) bit is set to logic 1 when data is written over unread data in the FIFO buffer. This bit is not reset to logic 0 until after the Status Register is read. While the OVR bit is logic 1, the RDLC and FIFO buffer are held in the reset state, causing the COLS and PKIN bits to be reset to logic 0.

FE:

The FIFO buffer empty (FE) bit is set to logic 1 when the last FIFO buffer entry is read. The FE bit goes to logic 0 when the FIFO is loaded with new data.

Registers 04BH, 0CBH, 14BH, 1CBH, 24BH, 2CBH, 34BH, 3CBH: RDLC #1, #2, #3 Data

Bit	Type	Function	Default
Bit 7	R	RD[7]	X
Bit 6	R	RD[6]	X
Bit 5	R	RD[5]	X
Bit 4	R	RD[4]	X
Bit 3	R	RD[3]	X
Bit 2	R	RD[2]	X
Bit 1	R	RD[1]	X
Bit 0	R	RD[0]	X

Selection of the RDLC block (#1, #2, or #3) whose registers are visible on the microprocessor interface is done via the RDLCSEL[1:0] register bits in the Data Link Micro Select/Framer Reset register.

RD[0] corresponds to the first bit of the serial byte received on the DATA input.

This register is actually a 128-byte FIFO buffer. If data is available, the FE bit in the FIFO Input Status Register is logic 0.

When an overrun is detected, an interrupt is generated and the FIFO buffer is held cleared until the FIFO Input Status Register is read.

The RDLC Status and Data registers should not be accessed at a rate greater than 1/15 of the XCLK rate.

**Registers 04CH, 0CCH, 14CH, 1CCH, 24CH, 2CCH, 34CH, 3CCH: RDLC
#1, #2, #3 Primary Address Match**

Bit	Type	Function	Default
Bit 7	R/W	PA[7]	1
Bit 6	R/W	PA[6]	1
Bit 5	R/W	PA[5]	1
Bit 4	R/W	PA[4]	1
Bit 3	R/W	PA[3]	1
Bit 2	R/W	PA[2]	1
Bit 1	R/W	PA[1]	1
Bit 0	R/W	PA[0]	1

Selection of the RDLC block (#1, #2, or #3) whose registers are visible on the microprocessor interface is done via the RDLCSEL[1:0] register bits in the Data Link Micro Select/Framer Reset register.

The first byte received after a flag character is compared against the contents of this register. If a match occurs, the packet data, including the matching first byte, is written into the FIFO. PA[0] corresponds to the first bit of the serial byte received on the DATA input. The MM bit in the Configuration Register is used mask off PA[1:0] during the address comparison.

Registers 04DH, 0CDH, 14DH, 1CDH, 24DH, 2CDH, 34DH, 3CDH: RDLC #1, #2, #3 Secondary Address Match

Bit	Type	Function	Default
Bit 7	R/W	SA[7]	1
Bit 6	R/W	SA[6]	1
Bit 5	R/W	SA[5]	1
Bit 4	R/W	SA[4]	1
Bit 3	R/W	SA[3]	1
Bit 2	R/W	SA[2]	1
Bit 1	R/W	SA[1]	1
Bit 0	R/W	SA[0]	1

Selection of the RDLC block (#1, #2, or #3) whose registers are visible on the microprocessor interface is done via the RDLCSEL[1:0] register bits in the Data Link Micro Select/Framer Reset register.

The first byte received after a flag character is compared against the contents of this register. If a match occurs, the packet data, including the matching first byte, is written into the FIFO. SA[0] corresponds to the first bit of the serial byte received on the DATA input. The MM bit in the Configuration Register is used mask off SA[1:0] during the address comparison.

Register 050H, 0D0H, 150H, 1D0H, 250H, 2D0H ,350H, 3D0H: TDPR #1, #2, #3 Configuration

Bit	Type	Function	Default
Bit 7	R/W	FLGSHARE	1
Bit 6	R/W	FIFOCLR	0
Bit 5		Reserved	0
Bit 4	R/W	Unused	X
Bit 3	R/W	EOM	0
Bit 2	R/W	ABT	0
Bit 1	R/W	CRC	1
Bit 0	R/W	EN	0

Selection of the TDPR block (#1, #2, or #3) whose registers are visible on the microprocessor interface is done via the TDPRSEL[1:0] register bits in the Data Link Micro Select/Framer Reset register.

Consecutive writes to the TDPR Configuration, TDPR Interrupt Status/UDR Clear, and TDPR Transmit Data register and reads of the TDPR Interrupt Status/UDR Clear register should not occur at rates greater than 1/8th that of XCLK.

EN:

The EN bit enables the TDPR functions. When EN is set to logic 1, the TDPR is enabled and flag sequences are sent until data is written into the TDPR Transmit Data register and the EOM bit is set to logic 1. When the EN bit is set to logic 0, the TDPR is disabled, and an all-1's idle is transmitted on the Facility Datalink.

CRC:

The CRC enable bit controls the generation of the CCITT_CRC frame check sequence (FCS). Setting the CRC bit to logic 1 enables the CCITT-CRC generator and appends the 16-bit FCS to the end of each message. When the CRC bit is set to logic 0, the FCS is not appended to the end of the message. The CRC type used is the CCITT-CRC with generator polynomial $x^{16} + x^{12} + x^5 + 1$. The high order bit of the FCS word is transmitted first.

ABT:

The Abort (ABT) bit controls the sending of the 7 consecutive ones HDLC

abort code. Setting the ABT bit to a logic 1 causes the 01111111 code (the 0 is transmitted first) to be transmitted after the current byte from the Transmit Data register is transmitted. The FIFO is then reset. All data in the FIFO will be lost. Aborts are continuously sent and the FIFO is held in reset until this bit is reset to a logic 0. At least one Abort sequence will be sent when the ABT bit transitions from logic 0 to logic 1.

EOM:

The EOM bit indicates that the last byte of data written in the Transmit Data register is the end of the present data packet. If the CRC bit is set then the 16-bit FCS word is appended to the last data byte transmitted and a continuous stream of flags is generated. The EOM bit is cleared upon a write to the TDPR Transmit Data register (039H, 0B9H, 139H, 1B9H, 239H, 2B9H, 339H, 3B9H).

Reserved:

This bit should be programmed to logic 0 for proper operation.

FIFOCLR:

The FIFOCLR bit resets the TDPR FIFO. When set to logic 1, FIFOCLR will cause the TDPR FIFO to be cleared.

FLGSHARE:

The FLGSHARE bit configures the TDPR to share the opening and closing flags between successive frames. If FLGSHARE is logic 1, then the opening and closing flags between successive frames are shared. If FLGSHARE is logic 0, then separate closing and opening flags are inserted between successive frames.

Register 051H, 0D1H, 151H, 1D1H, 251H, 2D1H, 351H, 3D1H: TDPR #1, #2, #3 Upper Transmit Threshold

Bit	Type	Function	Default
Bit 7	R/W	Unused	1
Bit 6	R/W	UTHR[6]	1
Bit 5	R/W	UTHR[5]	0
Bit 4	R/W	UTHR[4]	0
Bit 3	R/W	UTHR[3]	0
Bit 2	R/W	UTHR[2]	0
Bit 1	R/W	UTHR[1]	0
Bit 0	R/W	UTHR[0]	0

Selection of the TDPR block (#1, #2, or #3) whose registers are visible on the microprocessor interface is done via the TDPRSEL[1:0] register bits in the Data Link Micro Select/Framer Reset register.

UTHR[6:0]:

The UTHR[6:0] bits define the TDPR FIFO fill level which will automatically cause the bytes stored in the TDPR FIFO to be transmitted. Once the fill level exceeds the UTHR[6:0] value, transmission will begin. Transmission will not stop until the last complete packet is transmitted and the TDPR FIFO fill level is below UTHR[6:0] + 1.

The value of UTHR[6:0] must always be greater than the value of LINT[6:0] unless both values are equal to 00H.

Register 052H, 0D2H, 152H, 1D2H, 252H, 2D2H, 352H, 3D2H: TDPR #1, #2, #3 Lower Interrupt Threshold

Bit	Type	Function	Default
Bit 7	R/W	Unused	X
Bit 6	R/W	LINT[6]	0
Bit 5	R/W	LINT[5]	0
Bit 4	R/W	LINT[4]	0
Bit 3	R/W	LINT[3]	0
Bit 2	R/W	LINT[2]	1
Bit 1	R/W	LINT[1]	1
Bit 0	R/W	LINT[0]	1

Selection of the TDPR block (#1, #2, or #3) whose registers are visible on the microprocessor interface is done via the TDPRSEL[1:0] register bits in the Data Link Micro Select/Framer Reset register.

LINT[6:0]:

The LINT[6:0] bits define the TDPR FIFO fill level which causes an internal interrupt (LFILLI) to be generated. Once the TDPR FIFO level decrements to empty or to a value less than LINT[6:0], the LFILLI and BLFILL bits will be set to logic 1. LFILLI will cause an interrupt on INTB if LFILLE is set to logic 1.

The value of LINT[6:0] must always be less than the value of UTHR[6:0] unless both values are equal to 00H.

Register 053H, 0D3H, 153H, 1D3H, 253H, 2D3H ,353H, 3D3H: TDPR #1, #2, #3 Interrupt Enable

Bit	Type	Function	Default
Bit 7		Unused	X
Bit 6		Unused	X
Bit 5		Unused	X
Bit 4	R/W	Reserved	0
Bit 3	R/W	FULLE	0
Bit 2	R/W	OVRE	0
Bit 1	R/W	UDRE	0
Bit 0	R/W	LFILLE	0

Selection of the TDPR block (#1, #2, or #3) whose registers are visible on the microprocessor interface is done via the TDPRSEL[1:0] register bits in the Data Link Micro Select/Framer Reset register.

LFILLE:

The LFILLE enables a transition to logic 1 on LFILLI to generate an interrupt on INTB. If LFILLE is a logic 1, a transition to logic 1 on LFILLI will generate an interrupt on INTB. If LFILLE is a logic 0, a transition to logic 1 on LFILLI will not generate an interrupt on INTB.

UDRE:

The UDRE enables a transition to logic 1 on UDRI to generate an interrupt on INTB. If UDRE is a logic 1, a transition to logic 1 on UDRI will generate an interrupt on INTB. If UDRE is a logic 0, a transition to logic 1 on UDRI will not generate an interrupt on INTB.

OVRE:

The OVRE enables a transition to logic 1 on OVRI to generate an interrupt on INTB. If OVRE is a logic 1, a transition to logic 1 on OVRI will generate an interrupt on INTB. If OVRE is a logic 0, a transition to logic 1 on OVRI will not generate an interrupt on INTB.

FULLE:

The FULLE enables a transition to logic 1 on FULLI to generate an interrupt on INTB. If FULLE is a logic 1, a transition to logic 1 on FULLI will generate

an interrupt on INTB. If FULLE is a logic 0, a transition to logic 1 on FULLI will not generate an interrupt on INTB.

Reserved:

This bit should be set to logic 0 for proper operation.

Register 054H, 0D4H, 154H, 1D4H, 254H, 2D4H ,354H, 3D4H: TDPR #1, #2, #3 Interrupt Status/UDR Clear

Bit	Type	Function	Default
Bit 7		Unused	X
Bit 6	R	FULL	X
Bit 5	R	BLFILL	X
Bit 4	R	Reserved	X
Bit 3	R	FULLI	X
Bit 2	R	OVRI	X
Bit 1	R	UDRI	X
Bit 0	R	LFILLI	X

Selection of the TDPR block (#1, #2, or #3) whose registers are visible on the microprocessor interface is done via the TDPRSEL[1:0] register bits in the Data Link Micro Select/Framer Reset register.

Writing to this register will clear the underrun condition if it has occurred.

Consecutive writes to the TDPR Configuration, TDPR Interrupt Status/UDR Clear, and TDPR Transmit Data register and reads of the TDPR Interrupt Status/UDR Clear register should not occur at rates greater than 1/8th that of XCLK.

LFILLI:

The LFILLI bit will transition to logic 1 when the TDPR FIFO level transitions to empty or falls below the value of LINT[6:0] programmed in the TDPR Lower Interrupt Threshold register. LFILLI will assert INTB if it is a logic 1 if LFILLE is programmed to logic 1. LFILLI is cleared when this register is read.

UDRI:

The UDRI bit will transition to 1 when the TDPR FIFO underruns. That is, the TDPR was in the process of transmitting a packet when it ran out of data to transmit. UDRI will assert INTB if it is a logic 1 if UDRE is programmed to logic 1. UDRI is cleared when this register is read.

OVRI:

The OVRI bit will transition to 1 when the TDPR FIFO overruns. That is, the TDPR FIFO was already full when another data byte was written to the TDPR Transmit Data register. OVRI will assert INTB if it is a logic 1 if OVRE is programmed to logic 1. OVRI is cleared when this register is read.

FULLI:

The FULLI bit will transition to logic 1 when the TDPR FIFO is full. FULLI will assert INTB if it is a logic 1 if FULLE is programmed to logic 1. FULLI is cleared when this register is read.

Reserved:

This bit is not used in EOCTL applications, and should be set to logic 0 for proper operation.

BLFILL:

The BLFILL bit is set to logic 1 if the current FIFO fill level is below the LINT[7:0] level or is empty.

FULL:

The FULL bit reflects the current condition of the TDPR FIFO. If FULL is a logic 1, the TDPR FIFO already contains 128-bytes of data and can accept no more.

Register 055H, 0D5H, 155H, 1D5H, 255H, 2D5H, 355H, 3D5H: TDPR #1, #2, #3 Transmit Data

Bit	Type	Function	Default
Bit 7	R/W	TD[7]	X
Bit 6	R/W	TD[6]	X
Bit 5	R/W	TD[5]	X
Bit 4	R/W	TD[4]	X
Bit 3	R/W	TD[3]	X
Bit 2	R/W	TD[2]	X
Bit 1	R/W	TD[1]	X
Bit 0	R/W	TD[0]	X

Selection of the TDPR block (#1, #2, or #3) whose registers are visible on the microprocessor interface is done via the TDPRSEL[1:0] register bits in the Data Link Micro Select/Framer Reset register.

Consecutive writes to the TDPR Configuration, TDPR Interrupt Status/UDR Clear, and TDPR Transmit Data register and reads of the TDPR Interrupt Status/UDR Clear register should not occur at rates greater than 1/8th that of XCLK.

TD[7:0]:

The TD[7:0] bits contain the data to be transmitted on the data link. Data written to this register is serialized and transmitted (TD[0] is transmitted first).

Registers 058H, 0D8H, 158H, 1D8H, 258H, 2D8H, 358H, 3D8H: ELST Configuration

Bit	Type	Function	Default
Bit 7	R/W	Reserved[2]	0
Bit 6		Unused	X
Bit 5		Unused	X
Bit 4		Unused	X
Bit 3		Unused	X
Bit 2		Unused	X
Bit 1	R/W	Reserved[1]	1
Bit 0	R/W	Reserved[0]	1

Reserved[2]:

This bit must be a logic 0 for correct operation.

Reserved[1]:

This bit must be set to logic 1 for correct operation.

Reserved[0]:

This bit must be set to logic 1 for correct operation.

**Registers 059H, 0D9H, 159H, 1D9H, 259H, 2D9H, 359H, 3D9H: ELST
Interrupt Enable/Status**

Bit	Type	Function	Default
Bit 7		Unused	X
Bit 6		Unused	X
Bit 5		Unused	X
Bit 4		Unused	X
Bit 3		Unused	X
Bit 2	R/W	SLIPE	0
Bit 1	R	SLIPD	X
Bit 0	R	SLIPI	X

SLIPE:

The SLIPE bit position is an interrupt enable that when set, enables the INTB output to assert low when a slip occurs. When the block is reset the SLIPE bit position is cleared and interrupt generation is disabled.

SLIPD:

The SLIPD bit indicates the direction of the last slip. If the SLIPD bit is a logic 1 then the last slip was due to the frame buffer becoming full; a frame was deleted. If the SLIPD bit is a logic 0 then the last slip was due to the frame buffer becoming empty; a frame was duplicated.

SLIPI:

The SLIPI bit is set if a slip occurred since the last read of this register. The SLIPI bit is cleared upon reading this register.

Registers 05AH, 0DAH, 15AH, 1DAH, 25AH, 2DAH, 35AH, 3DAH: ELST Idle Code

Bit	Type	Function	Default
Bit 7	R/W	D7	1
Bit 6	R/W	D6	1
Bit 5	R/W	D5	1
Bit 4	R/W	D4	1
Bit 3	R/W	D3	1
Bit 2	R/W	D2	1
Bit 1	R/W	D1	1
Bit 0	R/W	D0	1

The contents of this register replace the timeslot data in the ID[x] serial data stream when the framer is out of frame and the TRKEN bit in the Ingress Interface Options register is a logic 1. Since the transmission of all ones timeslot data is a common requirement, this register is set to all ones on a reset condition. D7 is the first to be transmitted.

The writing of the idle code pattern is asynchronous with respect to the output data clock. One timeslot of idle code data will be corrupted if the register is written to when the framer is out of frame.

Register 05CH, 0DCH, 15CH, 1DCH, 25CH, 2DCH ,35CH, 3DCH: RPSC Configuration

Bit	Type	Function	Default
Bit 7		Unused	X
Bit 6		Unused	X
Bit 5		Unused	X
Bit 4		Unused	X
Bit 3		Unused	X
Bit 2		Unused	X
Bit 1	R/W	IND	0
Bit 0	R/W	PCCE	0

This register allows selection of the microprocessor read access type and output enable control for the Receive Per-channel Serial Controller.

IND:

The IND bit controls the microprocessor access type: either indirect or direct. The IND bit must be set to logic 1 for proper operation. When the EOCTL is reset, the IND bit is set low, disabling the indirect access mode.

PCCE:

The PCCE bit enables the per-channel functions. When the PCCE bit is set to a logic 1, the Data Trunk Conditioning Code byte and Signaling Trunk Conditioning Code byte are enabled to set the received data and signaling trunk conditioning streams (on ID[x] and ISIG[x] under direction of each channel's Signaling/PCM Control byte (located in the SIGX). When the PCCE bit is set to logic 0, the per-channel functions are disabled.

Register 05DH, 0DDH, 15DH, 1DDH, 25DH, 2DDH ,35DH, 3DDH: RPSC μ P Access Status

Bit	Type	Function	Default
Bit 7	R	BUSY	0
Bit 6		Unused	X
Bit 5		Unused	X
Bit 4		Unused	X
Bit 3		Unused	X
Bit 2		Unused	X
Bit 1		Unused	X
Bit 0		Unused	X

The BUSY bit in the Status register is high while a μ P access request is in progress. The BUSY bit goes low timed to an internal high-speed clock rising edge after the access has been completed. During normal operation, the Status Register should be polled until the BUSY bit goes low before another μ P access request is initiated. A μ P access request is typically completed within 490 ns.

Register 05EH, 0DEH, 15EH, 1DEH, 25EH, 2DEH ,35EH, 3DEH: RPSC Channel Indirect Address/Control

Bit	Type	Function	Default
Bit 7	R/W	R/WB	0
Bit 6	R/W	A6	0
Bit 5	R/W	A5	0
Bit 4	R/W	A4	0
Bit 3	R/W	A3	0
Bit 2	R/W	A2	0
Bit 1	R/W	A1	0
Bit 0	R/W	A0	0

This register allows the μ P to access the internal RPSC registers addressed by the A[6:0] bits and perform the operation specified by the R/WB bit. Writing to this register with a valid address and R/WB bit initiates an internal μ P access request cycle. The R/WB bit selects the operation to be performed on the addressed register: when R/WB is set to a logic 1, a read from the internal RPSC register is requested; when R/WB is set to a logic 0, an write to the internal RPSC register is requested.

Register 05FH, 0DFH, 15FH, 1DFH, 25FH, 2DFH ,35FH, 3DAH: RPSC Channel Indirect Data Buffer

Bit	Type	Function	Default
Bit 7	R/W	D7	0
Bit 6	R/W	D6	0
Bit 5	R/W	D5	0
Bit 4	R/W	D4	0
Bit 3	R/W	D3	0
Bit 2	R/W	D2	0
Bit 1	R/W	D1	0
Bit 0	R/W	D0	0

This register contain either the data to be written into the internal RPSC registers when a write request is initiated or the data read from the internal RPSC registers when a read request has completed. During normal operation, if data is to be written to the internal registers, the byte to be written must be written into this Data register before the target register's address and R/WB=0 is written into the Address/Control register, initiating the access. If data is to be read from the internal registers, only the target register's address and R/WB=1 is written into the Address/Control register, initiating the request. After 490 ns, this register will contain the requested data byte.

The internal RPSC registers provide the per-channel Data Trunk Conditioning Code and provide the per-channel Signaling Trunk Conditioning Code. The functions are allocated within the registers as follows:

Table 23 - RPSC Indirect Register Map

Offset	Description
20H	Per-TS Configuration byte for Timeslot 0
21H	Per-TS Configuration byte for Timeslot 1
22H	Per-TS Configuration byte for Timeslot 2
• •	• •
37H	Per-TS Configuration byte for Timeslot 23

Offset	Description
38H	Per-TS Configuration byte for Timeslot 24
39H	Per-TS Configuration byte for Timeslot 25
•	•
•	•
3EH	Per-TS Configuration byte for Timeslot 30
3FH	Per-TS Configuration byte for Timeslot 31
40H	Data Trunk Conditioning Code byte for Timeslot 0
41H	Data Trunk Conditioning Code byte for Timeslot 1
42H	Data Trunk Conditioning Code byte for Timeslot 2
•	•
•	•
57H	Data Trunk Conditioning Code byte for Timeslot 23
58H	Data Trunk Conditioning Code byte for Timeslot 24
59H	Data Trunk Conditioning Code byte for Timeslot 25
•	•
•	•
5EH	Data Trunk Conditioning Code byte for Timeslot 30
5FH	Data Trunk Conditioning Code byte for Timeslot 31
61H	Signaling Trunk Conditioning byte for Timeslot 1
62H	Signaling Trunk Conditioning byte for Timeslot 2
•	•
•	•
77H	Signaling Trunk Conditioning byte for Timeslot 23
78H	Signaling Trunk Conditioning byte for Timeslot 24
79H	Signaling Trunk Conditioning byte for Timeslot 25
•	•
•	•
7EH	Signaling Trunk Conditioning byte for Timeslot 30
7FH	Signaling Trunk Conditioning byte for Timeslot 31

The bits within each control byte are allocated as follows:

Table 23 : RPSC Indirect Registers 20-3FH: Per-TS Configuration Register

Bit	Type	Function	Default
Bit 7	R/W	TEST	X
Bit 6	R/W	DTRKC/ NxTS_IDLE	X
Bit 5	R/W	STRKC	X
Bit 4	R/W	DMW	X
Bit 3	R/W	DMWALAW	X
Bit 2	R/W	SIGNINV	X
Bit 1		Unused	X
Bit 0		Unused	X

TEST:

When the TEST bit is set to a logic 1, receive channel data is either overwritten with a test pattern from the PRGD block or is routed to the PRGD block and compared against an expected test pattern. The RXPATGEN bit in the Pattern Generator/Detector Positioning/Control register determines whether the transmit data is overwritten or compared as shown in the following table:

Table 24 - Receive Test Pattern Modes

TEST	RXPATGEN	Description
0	X	Channel data is not included in test pattern
1	0	Channel data is routed to PRGD and compared against expected test pattern
1	1	Channel data is overwritten with PRGD test pattern

All the channels that are routed to the PRGD are concatenated and treated as a continuous stream in which pseudorandom are searched for. Similarly, all channels set to be overwritten with PRGD test pattern data are treated such that if the channels are subsequently extracted and concatenated, the PRBS appears in the concatenated stream. The PRGD can also be enabled to work on the entire E1, including framing bits, using the UNF_GEN and UNF_DET bits in the Pattern Generator/Detector Positioning/Control register.

DTRKC/NxTS IDLE:

When the DTRKC bit is set to a logic 1, data from the Data Trunk Conditioning Code Byte contained within the RPSC indirect registers replaces the ID[x] output data for the duration of that channel.

When the Receive Backplane Configuration register selects a NxTS mode, the NxTS_IDLE controls which timeslots get inserted onto the backplane. When NxTS_IDLE is a logic 0, ICLK will toggle for the duration of the timeslot. When NxTS_IDLE is a logic 1, ICLK will be held in its inactive state (depending on the state of the BRIF DE bit).

STRKC:

When the STRKC bit is set to a logic 1, data from the Signaling Trunk Conditioning Code Byte contained within the RPSC indirect registers replaces the ISIG[x] output data for the duration of that channel.

DMW:

When the DMW bit is set to a logic 1, a digital milliwatt pattern replaces the ID[x] output data for the duration of that channel. The particular digital milliwatt pattern used, A-law or μ -law, is selected by the DMWALAW bit of this register.

DMWALAW:

When the DMWALAW bit is set to logic 1, the digital milliwatt pattern replacing the ID[x] output data for the duration of that channel is the A-Law pattern. When the DMWALAW bit is set to logic 0, the digital milliwatt pattern replacing the ID[x] output data for the duration of that channel is the μ -law pattern.

SIGNINV:

When the SIGNINV bit is set to logic 1, the most significant bit of the data output on the ID[x] pin is the inverse of the received data most significant bit for that channel.

Table 25 - RPSC Indirect Registers 40-5FH: Data Trunk Conditioning Code byte

Bit	Type	Function	Default
Bit 7	R/W	DTRK7	X
Bit 6	R/W	DTRK6	X
Bit 5	R/W	DTRK5	X
Bit 4	R/W	DTRK4	X
Bit 3	R/W	DTRK3	X
Bit 2	R/W	DTRK2	X
Bit 1	R/W	DTRK1	X
Bit 0	R/W	DTRK0	X

The contents of the Data Trunk Conditioning Code byte register is substituted for the channel data on ID[x] when the DTRKC bit in the SIGX Per-Timeslot Configuration indirect register is set to a logic 1. The Data Trunk Conditioning Code is transmitted from MSB (DTRK7) to LSB (DTRK0).

Table 26 - RPSC Indirect Registers 61-7FH: Signaling Trunk Conditioning byte

Bit	Type	Function	Default
Bit 7		Unused	X
Bit 6		Unused	X
Bit 5		Unused	X
Bit 4		Unused	X
Bit 3	R/W	A	X
Bit 2	R/W	B	X
Bit 1	R/W	C	X
Bit 0	R/W	D	X

The contents of the Signaling Trunk Conditioning Code byte register is substituted for the channel signaling data on ISIG[x] when the STRKC bit in the SIGX Per-Timeslot Configuration indirect register is set to a logic 1. The Signaling Trunk Conditioning Code is placed in least significant nibble of the channel byte.

Register 060H, 0E0H, 160H, 1E0H, 260H, 2E0H ,360H, 3E0H: TPSC Configuration

Bit	Type	Function	Default
Bit 7		Unused	X
Bit 6		Unused	X
Bit 5		Unused	X
Bit 4		Unused	X
Bit 3		Unused	X
Bit 2		Unused	X
Bit 1	R/W	IND	0
Bit 0	R/W	PCCE	0

This register allows selection of the microprocessor read access type and output enable control for the Transmit Per-channel Serial Controller.

IND:

The IND bit controls the microprocessor access type: either indirect or direct. The IND bit must be set to logic 1 for proper operation. When the EOCTL is reset, the IND bit is set low, disabling the indirect access mode.

PCCE:

The PCCE bit enables the per-channel functions. When the PCCE bit is set to a logic 1, each channel's IDLE Code byte and Signaling/PCM Control byte are passed on to the E1 TRAN. When the PCCE bit is set to logic 0, the per-channel functions are disabled.

Register 061H, 0E1H, 161H, 1E1H, 261H, 2E1H ,361H, 3E1H: TPSC μ P Access Status

Bit	Type	Function	Default
Bit 7	R	BUSY	0
Bit 6		Unused	X
Bit 5		Unused	X
Bit 4		Unused	X
Bit 3		Unused	X
Bit 2		Unused	X
Bit 1		Unused	X
Bit 0		Unused	X

The BUSY bit in the Status register is high while a μ P access request is in progress. The BUSY bit goes low timed to an internal high-speed clock rising edge after the access has been completed. During normal operation, the Status Register should be polled until the BUSY bit goes low before another μ P access request is initiated. A μ P access request is typically completed within 490 ns.

Register 062H, 0E2H, 162H, 1E2H, 262H, 2E2H ,362H, 3E2H: TPSC Channel Indirect Address/Control

Bit	Type	Function	Default
Bit 7	R/W	R/WB	0
Bit 6	R/W	A6	0
Bit 5	R/W	A5	0
Bit 4	R/W	A4	0
Bit 3	R/W	A3	0
Bit 2	R/W	A2	0
Bit 1	R/W	A1	0
Bit 0	R/W	A0	0

This register allows the μ P to access the internal TPSC registers addressed by the A[6:0] bits and perform the operation specified by the R/WB bit. Writing to this register with a valid address and R/WB bit initiates an internal μ P access request cycle. The R/WB bit selects the operation to be performed on the addressed register: when R/WB is set to a logic 1, a read from the internal TPSC register is requested; when R/WB is set to a logic 0, a write to the internal TPSC register is requested.

Register 063H, 0E3H, 163H, 1E3H, 263H, 2E3H ,363H, 3E3H: TPSC Channel Indirect Data Buffer

Bit	Type	Function	Default
Bit 7	R/W	D7	0
Bit 6	R/W	D6	0
Bit 5	R/W	D5	0
Bit 4	R/W	D4	0
Bit 3	R/W	D3	0
Bit 2	R/W	D2	0
Bit 1	R/W	D1	0
Bit 0	R/W	D0	0

This register contain either the data to be written into the internal TPSC registers when a write request is initiated or the data read from the internal TPSC registers when a read request has completed. During normal operation, if data is to be written to the internal registers, the byte to be written must be written into this Data register before the target register's address and R/WB=0 is written into the Address/Control register, initiating the access. If data is to be read from the internal registers, only the target register's address and R/WB=1 is written into the Address/Control register, initiating the request. After 490 ns, this register will contain the requested data byte.

The internal TPSC registers control the per-channel functions on the Transmit PCM data, configure NxTS clock gapping, provide the per-channel Transmit IDLE Code, and provide the per-channel Transmit signaling control and the alternate signaling bits. The functions are allocated within the registers as follows:

Table 27 - TPSC Indirect Register Map

Offset	Description
20H	Timeslot Control byte for Timeslot 0
21H	Timeslot Control byte for Timeslot 1
22H	Timeslot Control byte for Timeslot 2
•	•
•	•
37H	Timeslot Control byte for Timeslot 23
38H	Timeslot Control byte for Timeslot 24
39H	Timeslot Control byte for Timeslot 25
•	•
•	•
3EH	Timeslot Control byte for Timeslot 30
3FH	Timeslot Control byte for Timeslot 31
40H	IDLE Code byte for Timeslot 0
41H	IDLE Code byte for Timeslot 1
42H	IDLE Code byte for Timeslot 2
•	•
•	•
57H	IDLE Code byte for Timeslot 23
58H	IDLE Code byte for Timeslot 24
59H	IDLE Code byte for Timeslot 25
•	•
•	•
5EH	IDLE Code byte for Timeslot 30
5FH	IDLE Code byte for Timeslot 31
60H	PCM Control byte for Timeslot 0
61H	Signaling/ PCM Control byte for Timeslot 1
62H	Signaling / PCM Control byte for Timeslot 2
•	•

Offset	Description
•	•
77H	Signaling / PCM Control byte for Timeslot 23
78H	Signaling / PCM Control byte for Timeslot 24
79H	Signaling / PCM Control byte for Timeslot 25
•	•
•	•
7EH	Signaling /PCM Control byte for Timeslot 30
7FH	Signaling /PCM Control byte for Timeslot 31

The bits within each control byte are allocated as follows:

Table 28 - TPSC Indirect Registers 20-3FH: Timeslot Control byte

Bit	Type	Function	Default
Bit 7	R/W	Unused	X
Bit 6	R/W	NxTS_IDLE	X
Bit 5	R/W	Unused	X
Bit 4	R/W	Unused	X
Bit 3	R/W	TEST	X
Bit 2	R/W	LOOP	X
Bit 1	R/W	Reserved	0
Bit 0	R/W	Reserved	0

NxTS_IDLE:

When the NxTS mode is active, NxTS_IDLE controls the generation of ECLK[x]. When NxTS_IDLE is a logic 0, data is inserted from the transmit backplane interface during that channel, and eight clock pulses are generated on ECLK[x]. When NxTS_IDLE is a logic 1, an IDLE code byte is inserted, and ECLK[x] is suppressed for the duration of that channel.

TEST:

When the TEST bit is set to a logic 1, channel data from the ED[x] input is either overwritten with a test pattern from the PRGD block or is routed to the PRGD block and compared against an expected test pattern. The RXPATGEN bit in the Pattern Generator/Detector Positioning/Control register

determines whether the transmit data is overwritten or compared as shown in the following table:

Table 29 - Transmit Test Pattern Modes

TEST	RXPATGEN	Description
0	X	Channel data is not included in test pattern
1	1	Channel data is routed to PRGD and compared against expected test pattern
1	0	Channel data is overwritten with PRGD test pattern

All the channels that are routed to the PRGD are concatenated and treated as a continuous stream in which pseudorandom are searched for. Similarly, all channels set to be overwritten with PRGD test pattern data are treated such that if the channels are subsequently extracted and concatenated, the PRBS appears in the concatenated stream. The PRGD can also be enabled to work on the entire E1, including framing bits, using the UNF_GEN and UNF_DET bits in the Pattern Generator/Detector Positioning/Control register.

LOOP:

The LOOP bit enables timeslot loopbacks. When the LOOP bit is set to a logic 1, transmit data is overwritten with the corresponding channel data from the receive line. When the Clock Master ingress modes are enabled, the elastic store is used to align the receive line data to the egress frame. When the Clock Slave ingress modes are enabled, the elastic store is unavailable to facilitate per-timeslot loopbacks, and loopback functionality is provided only when the Egress Interfaces are also in a Clock Slave mode, and ingress and egress clocks and frame alignment are identical (CICLK = CECLK, CIFP = CEFP).

Data inversion, idle, loopback and test pattern insertion/checking are performed independent of the transmit framing format. Timeslot loopback takes precedence over digital milliwatt pattern insertion. Next in priority is test pattern insertion, which, in turn, takes precedence over idle code insertion. Data inversion has the lowest priority. When test pattern checking is enabled, the egress data is compared before timeslot loopback, digital milliwatt pattern insertion, idle code insertion or data inversion is performed. None of this prioritizing has any effect on the gapping of ECLK[x] in NxTS mode. That is, if both timeslot loopback, idle code insertion, and timeslot clock idle (NxTS_IDLE) are enabled for a given channel while in NxTS mode, the timeslot will be looped-back, will not be overwritten with idle code, and ECLK[x] will be gapped out for the duration of the channel. Similarly, none of the prioritizing has any effect on the generation of test patterns from the PRGD, only on the insertion of that

pattern. Thus, if both DMW and TEST are set for a given timeslot, and RXPATGEN = 0, the test pattern from the PRGD will be overwritten with the digital milliwatt code. This same rule also applies to test patterns inserted via the UNF_GEN bit in the Pattern Generator/Detector Positioning/Control register.

Table 30 - TPSC Indirect Registers 40-5FH: IDLE Code byte

Bit	Type	Function	Default
Bit 7	R/W	IDLE7	X
Bit 6	R/W	IDLE6	X
Bit 5	R/W	IDLE5	X
Bit 4	R/W	IDLE4	X
Bit 3	R/W	IDLE3	X
Bit 2	R/W	IDLE2	X
Bit 1	R/W	IDLE1	X
Bit 0	R/W	IDLE0	X

The contents of the IDLE Code byte register is substituted for the channel data on ED[x] when the SUBS bit in the TPSC Signaling/PCM Control Byte is set to a logic 1 and the DS[0] bit in the TPSC Signaling/PCM Control Byte is set to logic 0. The IDLE Code is transmitted from MSB (IDLE7) to LSB (IDLE0).

Table 31 - TPSC Indirect Registers 60-7FH: Signaling/PCM Control byte

Bit	Type	Function	Default
Bit 7	R/W	SUBS	X
Bit 6	R/W	DS[0]	X
Bit 5	R/W	DS[1]	X
Bit 4	R/W	SIGSRC	X
Bit 3	R/W	A	X
Bit 2	R/W	B	X
Bit 1	R/W	C	X
Bit 0	R/W	D	X

SUBS, DS[1], and DS[0]:

The SUBS, DS[1], and DS[0] bits select one of the following data manipulations to be performed on the timeslot:

Table 32 - Transmit Per-timeslot Data Manipulation

SUBS	DS[0]	DS[1]	Function
0	0	0	OFF - no change to PCM timeslot data
0	0	1	ADI - data inversion on timeslot bits 1, 3, 5, 7
0	1	0	ADI - data inversion on timeslot bits 2, 4, 6, 8
0	1	1	INV - data inversion on all timeslot bits
1	0	X	Data substitution on - IDLE code replaces PCM timeslot data
1	1	0	Data substitution on - A-Law digital pattern* replaces PCM timeslot data.
1	1	1	Data substitution on - μ -Law digital pattern* replaces PCM timeslot data.

*Note: The A-Law digital milliwatt pattern used is that defined in Recommendation G.711 for A-law:

Table 33 - A-Law Digital Milliwatt Pattern

Bit 1	Bit 2	Bit 3	Bit 4	Bit 5	Bit 6	Bit 7	Bit 8
0	0	1	1	0	1	0	0
0	0	1	0	0	0	0	1
0	0	1	0	0	0	0	1
0	0	1	1	0	1	0	0
1	0	1	1	0	1	0	0
1	0	1	0	0	0	0	1
1	0	1	0	0	0	0	1
1	0	1	1	0	1	0	0

*Note: The μ -Law digital milliwatt pattern used is that defined in Recommendation G.711 for μ -law:

Table 34 - μ -Law Digital Milliwatt Pattern

Bit 1	Bit 2	Bit 3	Bit 4	Bit 5	Bit 6	Bit 7	Bit 8
0	0	0	1	1	1	1	0
0	0	0	0	1	0	1	1
0	0	0	0	1	0	1	1
0	0	0	1	1	1	1	0
1	0	0	1	1	1	1	0
1	0	0	0	1	0	1	1
1	0	0	0	1	0	1	1
1	0	0	1	1	1	1	0

SIGSRC:

The SIGSRC bit is valid only if Channel Associated Signaling (CAS) is selected in the E1 TRAN Configuration Register; otherwise, it is ignored. When valid, the SIGSRC bit selects the source of the timeslot signaling bits: if SIGSRC is a logic 0, the signaling bits are taken from the incoming ESIG[x] stream in the format specified by the SIGEN and DLEN bits in the TRAN Configuration Register; if SIGSRC is a logic 1, the signaling bits are taken from the A,B,C, and D bits.

Register 064H, 0E4H, 164H, 1E4H, 264H, 2E4H ,364H, 3E4H: SIGX Configuration Register (COSS = 0)

Bit	Type	Function	Default
Bit 7	R/W	Reserved	0
Bit 6	R/W	COSS	0
Bit 5	R/W	SIGE	0
Bit 4	R/W	Reserved	0
Bit 3	R/W	Reserved	0
Bit 2	R/W	Reserved	0
Bit 1	R/W	IND	0
Bit 0	R/W	PCCE	0

Reserved:

These bits must be a logic 0 for correct operation.

COSS:

The COSS bit allows the channels to be polled to determine in which channel(s) the signaling state has changed. When COSS is a logic 1, the SIGX register space is configured to allow the change of signaling state event bits to be read. When COSS is a logic 0, the SIGX register space is configured to allow indirect access to the configuration and signaling data for each of the 30 E1 channels.

SIGE:

The SIGE bit enables a change of signaling state in any one of the 30 channels to generate an interrupt on the INTB output.

When SIGE is set to logic 1, a change of signaling state in any channel generates an interrupt. When SIGE is set to logic 0, the interrupt is disabled.

IND:

The IND bit controls the microprocessor access type: either indirect or direct. IND must be logic 1 for proper operation.

PCCE:

The per-timeslot/per-channel configuration enable bit, PCCE, enables the configuration data in the per-timeslot/per-channel registers to affect the

ISIG[x] streams. A logic 1 in the PCCE bit position enables the Per-Timeslot Configuration Register bits in the indirect registers 40H through 5FH; a logic 0 disables the Per-Timeslot Configuration Register bits in those registers. Please refer to the Per-timeslot/Per-Channel Configuration descriptions for configuration bit details. When the TSB is reset, the PCCE bit is set to logic 0, disabling the Per-Timeslot Configuration Register bits.

**Register 064H, 0E4H, 164H, 1E4H, 264H, 2E4H, 364H, 3E4H: SIGX
Change of Signaling State Register (COSS = 1)**

Bit	Type	Function	Default
Bit 7		Unused	X
Bit 6	R/W	COSS	0
Bit 5	R	COSS[30]	X
Bit 4	R	COSS[29]	X
Bit 3	R	COSS[28]	X
Bit 2	R	COSS[27]	X
Bit 1	R	COSS[26]	X
Bit 0	R	COSS[25]	X

COSS[30:25]:

The COSS[30:25] bits will be set to logic 1 if a change of signaling state occurs on the corresponding E1 timeslot. COSS[30:25] are cleared after this register is read. COSS[30:25] are valid only if CEPT is a logic 1. The COSS bit allows the timeslot to be polled to determine in which timeslot(s) the signaling state has changed. When COSS is a logic 1, the SIGX register space is configured to allow the change of signaling state event bits to be read. When COSS is a logic 0, the SIGX register space is configured to allow indirect access to the configuration and signaling data for each of the 30 E1 channels.

COSS[25] through COSS[30] correspond to timeslots 26 through 31.

Register 065H, 0E5H, 165H, 1E5H, 265H, 2E5H ,365H, 3E5H: SIGX Timeslot Indirect Status (COSS = 0)

Bit	Type	Function	Default
Bit 7	R	BUSY	0
Bit 6		Unused	X
Bit 5		Unused	X
Bit 4		Unused	X
Bit 3		Unused	X
Bit 2		Unused	X
Bit 1		Unused	X
Bit 0		Unused	X

The Timeslot Indirect Status Register is provided at SIGX read/write address 1.

BUSY:

The BUSY bit is set to logic 1 while the timeslot data is being retrieved or while the configuration data is being written. The bit is set to logic 0 when the read or write cycle has been completed. The BUSY signal holds off a microprocessor read or write access until the SIGX has completed the previous request. This register should be polled until the BUSY bit is logic 0. The bits in this register are valid only when COSS = 0.

**Register 065H, 0E5H, 165H, 1E5H, 265H, 2E5H ,365H, 3E5H: SIGX
Change Of Signaling State Change (COSS=1)**

Bit	Type	Function	Default
Bit 7	R	COSS[24]	X
Bit 6	R	COSS[23]	X
Bit 5	R	COSS[22]	X
Bit 4	R	COSS[21]	X
Bit 3	R	COSS[20]	X
Bit 2	R	COSS[19]	X
Bit 1	R	COSS[18]	X
Bit 0	R	COSS[17]	X

COSS[24:17]:

The COSS[24:17] bits will be set to logic 1 if a change of signaling state occurs on the corresponding timeslot. COSS[24:17] are cleared after this register is read.

COSS[17] through COSS[24] correspond to timeslots 18 through 25.

Register 066H, 0E6H, 166H, 1E6H, 266H, 2E6H, 366H, 3E6H: SIGX Timeslot Indirect Address/Control (COSS = 0)

Bit	Type	Function	Default
Bit 7	R/W	RWB	0
Bit 6	R/W	A[6]	0
Bit 5	R/W	A[5]	0
Bit 4	R/W	A[4]	0
Bit 3	R/W	A[3]	0
Bit 2	R/W	A[2]	0
Bit 1	R/W	A[1]	0
Bit 0	R/W	A[0]	0

If the SIGX is enabled for direct microprocessor access, writing to and reading from the Timeslot Indirect Address Register will not generate any additional accesses.

A[6:0]:

If the SIGX is enabled for indirect microprocessor access, writing to the Timeslot Indirect Address Register initiates a microprocessor access request to one of the registers in segments 2 and 3. The desired register is addressed using the value written to bits A[6:0].

RWB:

The RWB bit indicates which operation is requested. If RWB is set to logic 1, a read is requested. After the request has been issued, the Timeslot Indirect Status register should be monitored to verify completion of the read. The desired register contents can then be found in the Timeslot Indirect Data Register. If RWB is set to logic 0, a write is requested. Data to be written to the microprocessor should first be placed in the Timeslot Indirect Data Register. For both read and write operations, the BUSY bit in the Timeslot Indirect Status Register should be monitored to ensure that the previous access has been completed.

Note: If the value written to A[6:0] addresses a segment 1 register, an access is not initiated.

**Register 066H, 0E6H, 166H, 1E6H, 266H, 2E6H ,366H, 3E6H: SIGX
Change of Signaling State Register (COSS = 1)**

Bit	Type	Function	Default
Bit 7	R	COSS[16]	X
Bit 6	R	COSS[15]	X
Bit 5	R	COSS[14]	X
Bit 4	R	COSS[13]	X
Bit 3	R	COSS[12]	X
Bit 2	R	COSS[11]	X
Bit 1	R	COSS[10]	X
Bit 0	R	COSS[9]	X

COSS[16:9]:

The COSS[16:9] bits will be set to logic 1 if a change of signaling state occurs on the corresponding timeslot. COSS[16:9] are cleared after this register is read.

COSS[9] through COSS[15] correspond to timeslots 9 through 15 and COSS[16] corresponds to timeslot 17.

Register 067H, 0E7H, 167H, 1E7H, 267H, 2E7H, 367H, 3E7H: SIGX Timeslot Indirect Data Buffer (COSS = 0)

Bit	Type	Function	Default
Bit 7	R/W	D[7]	X
Bit 6	R/W	D[6]	X
Bit 5	R/W	D[5]	X
Bit 4	R/W	D[4]	X
Bit 3	R/W	D[3]	X
Bit 2	R/W	D[2]	X
Bit 1	R/W	D[1]	X
Bit 0	R/W	D[0]	X

In the case of an indirect write, the Indirect Data Register holds the value that will be written to the desired register when a write is initiated via the Timeslot Indirect Address Register. In the case of an indirect read, the Indirect Data Register will hold the contents of the indirectly addressed register, when the read has been completed. Please refer below to the per-timeslot register descriptions for the expected bit formats.

**Register 067H, 0E7H, 167H, 1E7H, 267H, 2E7H ,367H, 3E7H: SIGX
Change of Signaling State (COSS = 1)**

Bit	Type	Function	Default
Bit 7	R	COSS[8]	X
Bit 6	R	COSS[7]	X
Bit 5	R	COSS[6]	X
Bit 4	R	COSS[5]	X
Bit 3	R	COSS[4]	X
Bit 2	R	COSS[3]	X
Bit 1	R	COSS[2]	X
Bit 0	R	COSS[1]	X

COSS[8:1]:

The COSS[8:1] bits will be set to logic 1 if a change of signaling state occurs on the corresponding timeslot. COSS[8:1] are cleared after this register is read.

COSS[1] through COSS[8] correspond to timeslots 1 through 8.

SIGX Indirect Registers

The signaling and per-timeslot functions are allocated within the indirect registers as follows:

Table 35 - SIGX Indirect Register Map

20H	.
21H	Signaling Data Register for TS1
22H	Signaling Data Register for TS2
.	.
.	.
.	.
2FH	Signaling Data Register for TS15
30H	.

20H	.
31H	Signaling Data Register for TS17
.	.
.	.
.	.
37H	Signaling Data Register for TS23
38H	Signaling Data Register for TS24
.	.
.	.
.	.
3EH	Signaling Data Register for TS30
3FH	Signaling Data Register for TS31
40H	TS0 Configuration Data
41H	TS1 Configuration Data
.	.
.	.
.	.
57H	TS23 Configuration Data
58H	TS24 Configuration Data
.	.
.	.
.	.
5EH	TS 30 Configuration Data
5FH	TS 31 Configuration Data

SIGX Indirect Registers 32 (20H)- 63 (3FH): SIGX Timeslot/Channel Signaling Data Registers

Bit	Type	Function	Default
Bit 7		Unused	X
Bit 6		Unused	X
Bit 5		Unused	X
Bit 4		Unused	X
Bit 3	R	A TS 'n'	X
Bit 2	R	B TS 'n'	X
Bit 1	R	C TS 'n'	X
Bit 0	R	D TS 'n'	X

Timeslot signalling data can be read from the Timeslot Signaling Data registers. Addresses 20H-3FH correspond to TS 0 - TS31. TS0 and TS16 do not contain valid data.

Signaling data is not available for one full signaling multi-frame after the COSS[x] indication is available. If the signaling data is needed in the same signaling multi-frame that the COSS indication is available, the following registers can be read.

TimeSlot	SIGX Address	Bit Mask	Timeslot	SIGX Address	Bit Mask
0	N/A	N/A	16	N/A	N/A
1	11H	F0H	17	11H	0FH
2	12H	F0H	18	12H	0FH
⋮	⋮	⋮	⋮	⋮	⋮
14	1EH	F0H	30	1EH	0FH
15	1FH	F0H	31	1FH	0FH

SIGX Indirect Registers 64 (40H) - 95 (5FH): SIGX Per-Timeslot Configuration Register

Bit	Type	Function	Default
Bit 7		Unused	X
Bit 6		Unused	X
Bit 5		Unused	X
Bit 4		Unused	X
Bit 3	R/W	RINV[1]	X
Bit 2	R/W	RINV[0]	X
Bit 1	R/W	Unused	X
Bit 0	R/W	RDEBE	X

RINV[1:0]:

The RINV[1:0] bits select bits within the timeslot are inverted. The bit mapping is as follows.

Table 36 - RINV[1:0] effect on timeslot data bits

RINV[1:0]	Effect on timeslot data bits
00	do not invert
01	invert even bits (2,4,6,8) (Bit 8 is the most significant bit of the timeslot)
10	invert odd bits (1,3,5,7) (Bit 1 is the least significant bit of the timeslot)
11	invert all bits

RDEBE:

The RDEBE bit enables debouncing of timeslot/channel signaling bits. A logic 1 in this bit position enables signaling debouncing while a logic 0 disables it. When debouncing is selected, per-timeslot/per-channel signaling transitions are ignored until two consecutive, equal values are sampled. Debouncing is performed on a per signaling bit basis.

Data inversion, data trunk conditioning, and digital milliwatt insertion are performed independent of the received framing format. Digital milliwatt insertion takes precedence over data trunk conditioning which, in turn, takes precedence over the various data inversions.

To enable the RINV[1], RINV[0], and RDEBE bits, the PCCE bit in the SIGX Configuration Register must be set to logic 1.

**Register 068H, 0E8H, 168H, 1E8H, 268H, 2E8H ,368H, 3E8H: PMON
Interrupt Enable/Status**

Bit	Type	Function	Default
Bit 7		Unused	X
Bit 6		Unused	X
Bit 5		Unused	X
Bit 4		Unused	X
Bit 3		Unused	X
Bit 2	R/W	INTE	0
Bit 1	R	XFER	0
Bit 0	R	OVR	0

This register contains status information indicating when counter data has been transferred into the holding registers and indicating whether the holding registers have been overrun.

INTE:

The INTE bit controls the generation of a microprocessor interrupt when the transfer clock has caused the counter values to be stored in the holding registers. A logic 1 bit in the INTE position enables the generation of an interrupt via the INTB output; a logic 0 bit in the INTE position disables the generation of an interrupt.

XFER:

The XFER bit indicates that a transfer of counter data has occurred. A logic 1 in this bit position indicates that a latch request, initiated by writing to one of the counter register locations, was received and a transfer of the counter values has occurred. A logic 0 indicates that no transfer has occurred. The XFER bit is cleared (acknowledged) by reading this register.

OVR:

The OVR bit is the overrun status of the holding registers. A logic 1 in this bit position indicates that a previous transfer (indicated by XFER being logic 1) has not been acknowledged before the next transfer clock has been issued and that the contents of the holding registers have been overwritten. A logic 0 indicates that no overrun has occurred. The OVR bit is cleared by reading this register.

Registers 069H-06DH, 0E9H-0EDH, 16H-16DH, 1E9H-1EDH, 269H-26DH, 2E9H-2EDH ,369H-36DH, 3E9H-3EDH: Latching Performance Data

The Performance Data registers for a single framer are updated as a group by writing to any of the PMON count registers. A write to one (and only one) of these locations loads performance data located in the PMON into the internal holding registers. Alternatively, the Performance Data registers are updated by writing to the Revision/Chip ID/Global PMON Update register (address 009H). The data contained in the holding registers can then be subsequently read by microprocessor accesses into the PMON count register address space. The latching of count data, and subsequent resetting of the counters, is synchronized to the internal event timing so that no events are missed.

The PMON is loaded with new performance data within 3.5 recovered clock periods of the latch performance data register write. With nominal line rates, the PMON registers should not be polled until at least 1.8 μ s has elapsed since the "latch performance data" register write.

When the EOCTL is reset, the contents of the PMON count registers are unknown until the first latching of performance data is performed.

Register 069H, 0E9H, 169H, 1E9H, 269H, 2E9H ,369H, 3E9H: Framing Bit Error Count

Bit	Type	Function	Default
Bit 7		Unused	X
Bit 6	R	FER[6]	X
Bit 5	R	FER[5]	X
Bit 4	R	FER[4]	X
Bit 3	R	FER[3]	X
Bit 2	R	FER[2]	X
Bit 1	R	FER[1]	X
Bit 0	R	FER[0]	X

This register indicates the number of framing bit error events that occurred during the previous accumulation interval. The FER counts are suppressed when the framer has lost frame alignment (OOF in the E1-FRMR Framing Status register is logic 1).

The count is either the number of FAS (frame alignment signal) bits (default) or words in error. As an option, a zero in bit 2 of time slot 0 of non-frame alignment signal (NFAS) frames results in an increment of the framing error count. Refer to the Receive Line Options register.

Register 06AH, 0EAH, 16AH, 1EAH, 26AH, 2EAH ,36AH, 3EAH: Far End Block Error Count LSB

Bit	Type	Function	Default
Bit 7	R	FEBE[7]	X
Bit 6	R	FEBE[6]	X
Bit 5	R	FEBE[5]	X
Bit 4	R	FEBE[4]	X
Bit 3	R	FEBE[3]	X
Bit 2	R	FEBE[2]	X
Bit 1	R	FEBE[1]	X
Bit 0	R	FEBE[0]	X

Register 06BH, 0EBH, 16BH, 1EBH, 26BH, 2EBH ,36BH, 3EBH: Far End Block Error Count MSB

Bit	Type	Function	Default
Bit 7		Unused	X
Bit 6		Unused	X
Bit 5		Unused	X
Bit 4		Unused	X
Bit 3		Unused	X
Bit 2		Unused	X
Bit 1	R	FEBE[9]	X
Bit 0	R	FEBE[8]	X

These registers indicate the number of far end block error events that occurred during the previous accumulation interval. The FEBE counts are suppressed when the E1 FRMR has lost frame alignment (OOF in the FRMR Framing Status register is set).

Register 06CH, 0ECH, 16CH, 1ECH, 26CH, 2ECH ,36CH, 3ECH: CRC Error Count LSB

Bit	Type	Function	Default
Bit 7	R	CRCE[7]	X
Bit 6	R	CRCE[6]	X
Bit 5	R	CRCE[5]	X
Bit 4	R	CRCE[4]	X
Bit 3	R	CRCE[3]	X
Bit 2	R	CRCE[2]	X
Bit 1	R	CRCE[1]	X
Bit 0	R	CRCE[0]	X

Register 06DH, 0EDH, 16DH, 1EDH, 26DH, 2EDH ,36DH, 3EDH: CRC Error Count MSB

Bit	Type	Function	Default
Bit 7		Unused	X
Bit 6		Unused	X
Bit 5		Unused	X
Bit 4		Unused	X
Bit 3		Unused	X
Bit 2		Unused	X
Bit 1	R	CRCE[9]	X
Bit 0	R	CRCE[8]	X

These registers indicate the number of CRC error events that occurred during the previous accumulation interval. CRC error events are suppressed when the E1 FRMR is out of CRC-4 multiframe alignment (OOCMF bit in the FRMR Framing Status register is set).

Register 070H, 0F0H, 170H, 1F0H, 270H, 2F0H ,370H, 3F0H: PRGD Control

Bit	Type	Function	Default
Bit 7	R/W	PDR[1]	0
Bit 6	R/W	PDR[0]	0
Bit 5	R/W	QRSS	0
Bit 4	R/W	PS	0
Bit 3	R/W	TINV	0
Bit 2	R/W	RINV	0
Bit 1	R/W	AUTOSYNC	1
Bit 0	R/W	MANSYNC	0

PDR[1:0]:

The PDR[1:0] bits select the content of the four pattern detector registers to be any one of the pattern receive registers, the error count holding registers, or the bit count holding registers. The selection is shown in the following table:

Table 37 - Pattern Detector Register Configurations

PDR[1:0]	PDR#1	PDR#2	PDR#3	PDR#4
00, 01	Pattern Receive (LSB)	Pattern Receive	Pattern Receive	Pattern Receive (MSB)
10	Error Count (LSB)	Error Count	Error Count	Error Count (MSB)
11	Bit Count (LSB)	Bit Count	Bit Count	Bit Count (MSB)

QRSS:

The quasi-random signal source (QRSS) bit enables the zero suppression feature required when generating a QRSS sequence. When QRSS is a logic 1, a one is forced in the PRGD transmit stream when the following 14 bit positions are all zeros. When QRSS is a logic 0, the zero suppression feature is disabled. Note that the QRSS bit is also interpreted by the PRGD

receiver. Accordingly, the receiver will expect appropriately placed zero suppression bits when QRSS is a logic 1.

PS:

The PS bit selects the pattern type. When PS is a logic 1, a repetitive pattern is generated/detected. When PS is a logic 0, a pseudo-random pattern is generated/detected.

The PS bit must be programmed to the desired settings before programming any other PRGD registers, otherwise the transmitted pattern may be corrupted. Any time the setting of the PS bit is changed, the rest of the PRGD registers should be reprogrammed.

TINV:

The TINV bit controls the logical inversion of the generated pattern. When TINV is a logic 1, the data generated is inverted. When TINV is a logic 0, the data is not inverted.

RINV:

The RINV bit controls the logical inversion of the received stream. When RINV is a logic 1, the received data is inverted before being processed by the pattern detector. When RINV is a logic 0, the received data is not inverted.

AUTOSYNC:

The AUTOSYNC bit enables the automatic resynchronization of the pattern detector. When AUTOSYNC is logic 1, then the PRGD will search in the receive data stream until it finds 48 consecutive bits in which the pattern is present and error-free. The PRGD will then declare SYNCV = 1. Thereafter, errors are detected in a fixed 48 bit window. When AUTOSYNC is a logic 0, the PRGD will search in the data stream the same way. However, once SYNCV = 1 has been declared, resynchronization will only be initiated by a 0 to 1 transition on MANSYNC. SYNCV will still be asserted and deasserted in the usual way, but the PRGD will not initiate a search for the new pattern alignment.

MANSYNC:

The MANSYNC bit is used to initiate a manual resynchronization of the pattern detector. A low to high transition on MANSYNC initiates the resynchronization.

**Register 071H, 0F1H, 171H, 1F1H, 271H, 2F1H ,371H, 3F1H: PRGD
Interrupt Enable/Status**

Bit	Type	Function	Default
Bit 7	R/W	SYNCE	0
Bit 6	R/W	BEE	0
Bit 5	R/W	XFERE	0
Bit 4	R	SYNCV	X
Bit 3	R	SYNCI	X
Bit 2	R	BEI	X
Bit 1	R	XFERI	X
Bit 0	R	OVR	X

SYNCE:

The SYNCE bit enables the generation of an interrupt when the pattern detector changes synchronization state. When SYNCE is set to logic 1, the interrupt is enabled.

BEE:

The BEE bit enables the generation of an interrupt when a bit error is detected in the receive data. Bit errors are not flagged unless the pattern detector is synchronized. When BEE is set to logic 1, the interrupt is enabled.

XFERE:

The XFERE bit enables the generation of an interrupt when an accumulation interval is completed and new values are stored in the receive pattern registers, the bit counter holding registers, and the error counter holding registers. When XFERE is set to logic 1, the interrupt is enabled.

SYNCV:

The SYNCV bit indicates the synchronization state of the pattern detector. When SYNCV is a logic 1 the pattern detector is synchronized (the pattern detector has observed at least 48 consecutive error free bit periods). When SYNCV is a logic 0, the pattern detector is out of sync (the pattern detector has detected 10 or more bit errors in a fixed 48-bit window).

SYNCI:

The SYNCI bit indicates that one or more synchronization errors have been detected since the last time this register was read. When SYNCI is set to logic 1, at least one synchronization error has been detected. SYNCI is set to logic 0 when this register is read.

BEI:

The BEI bit indicates that one or more bit errors have been detected since the last time this register was read. When BEI is set to logic 1, at least one bit error has been detected. BEI is set to logic 0 when this register is read.

XFERI:

The XFERI bit indicates that a transfer of pattern detector data has occurred. A logic 1 in this bit position indicates that the pattern receive registers, the bit counter holding registers and the error counter holding registers have been updated. This update is initiated by writing to one of the pattern detector register locations, or by writing to the Revision/Chip ID/Global PMON Update register (009H), or via the AUTOUPDATE feature in the Receive Line Options Register (000H, 080H, 100H, 180H, 200H, 280H, 300H, 480H). XFERI is set to logic 0 when this register is read.

OVR:

The OVR bit is the overrun status of the pattern detector registers. A logic 1 in this bit position indicates that a previous transfer (indicated by XFERI being logic 1) has not been acknowledged before the next accumulation interval has occurred and that the contents of the pattern receive registers, the bit counter holding registers and the error counter holding registers have been overwritten. OVR is set to logic 0 when this register is read.

Register 072H, 0F2H, 172H, 1F2H, 272H, 2F2H ,372H, 3F2H: PRGD Shift Register Length

Bit	Type	Function	Default
Bit 7		Unused	X
Bit 6		Unused	X
Bit 5		Unused	X
Bit 4	R/W	PL[4]	0
Bit 3	R/W	PL[3]	0
Bit 2	R/W	PL[2]	0
Bit 1	R/W	PL[1]	0
Bit 0	R/W	PL[0]	0

PL[4:0]:

PL[4:0] determine the length of the generated pseudo random or repetitive pattern. The pattern length is equal to the value of PL[4:0] + 1.

Register 073H, 0F3H, 173H, 1F3H, 273H, 2F3H ,373H, 3F3H: PRGD Tap

Bit	Type	Function	Default
Bit 7		Unused	X
Bit 6		Unused	X
Bit 5		Unused	X
Bit 4	R/W	PT[4]	0
Bit 3	R/W	PT[3]	0
Bit 2	R/W	PT[2]	0
Bit 1	R/W	PT[1]	0
Bit 0	R/W	PT[0]	0

PT[4:0]:

PT[4:0] determine the feedback tap position of the generated pseudo random pattern. The feedback tap position is equal to the value of PT[4:0] + 1.

Refer to the Operation section for commonly programmed feedback taps and shift register lengths.

Register 074H, 0F4H, 174H, 1F4H, 274H, 2F4H ,374H, 3F4H: PRGD Error Insertion

Bit	Type	Function	Default
Bit 7		Unused	X
Bit 6		Unused	X
Bit 5		Unused	X
Bit 4		Unused	X
Bit 3	R/W	EVENT	0
Bit 2	R/W	EIR[2]	0
Bit 1	R/W	EIR[1]	0
Bit 0	R/W	EIR[0]	0

EVENT:

A low to high transition on the EVENT bit causes a single bit error to be inserted in the generated pattern. This bit must be cleared and set again for a subsequent error to be inserted.

EIR[2:0]:

The EIR[2:0] bits control the insertion of a programmable bit error rate as indicated in the following table:

Table 38 - Error Insertion Rates

EIR[2:0]	Generated Bit Error Rate
000	No errors inserted
001	10^{-1}
010	10^{-2}
011	10^{-3}
100	10^{-4}
101	10^{-5}
110	10^{-6}
111	10^{-7}

**Register 078H, 0F8H, 178H, 1F8H, 278H, 2F8H ,378H, 3F8H: PRGD
Pattern Insertion #1**

Bit	Type	Function	Default
Bit 7	R/W	PI[7]	0
Bit 6	R/W	PI[6]	0
Bit 5	R/W	PI[5]	0
Bit 4	R/W	PI[4]	0
Bit 3	R/W	PI[3]	0
Bit 2	R/W	PI[2]	0
Bit 1	R/W	PI[1]	0
Bit 0	R/W	PI[0]	0

**Register 079H, 0F9H, 179H, 1F9H, 279H, 2F9H ,379H, 3F0H: PRGD
Pattern Insertion #2**

Bit	Type	Function	Default
Bit 7	R/W	PI[15]	0
Bit 6	R/W	PI[14]	0
Bit 5	R/W	PI[13]	0
Bit 4	R/W	PI[12]	0
Bit 3	R/W	PI[11]	0
Bit 2	R/W	PI[10]	0
Bit 1	R/W	PI[9]	0
Bit 0	R/W	PI[8]	0

**Register 07AH, 0FAH, 17AH, 1FAH, 27AH, 2FAH ,37AH, 3FAH: PRGD
Pattern Insertion #3**

Bit	Type	Function	Default
Bit 7	R/W	PI[23]	0
Bit 6	R/W	PI[22]	0
Bit 5	R/W	PI[21]	0
Bit 4	R/W	PI[20]	0
Bit 3	R/W	PI[19]	0
Bit 2	R/W	PI[18]	0
Bit 1	R/W	PI[17]	0
Bit 0	R/W	PI[16]	0

**Register 07BH, 0FBH, 17BH, 1FBH, 27BH, 2FBH ,37BH, 3FBH: PRGD
Pattern Insertion #4**

Bit	Type	Function	Default
Bit 7	R/W	PI[31]	0
Bit 6	R/W	PI[30]	0
Bit 5	R/W	PI[29]	0
Bit 4	R/W	PI[28]	0
Bit 3	R/W	PI[27]	0
Bit 2	R/W	PI[26]	0
Bit 1	R/W	PI[25]	0
Bit 0	R/W	PI[24]	0

PI[31:0]:

PI[31:0] contain the data that is loaded in the pattern generator each time a new pattern (pseudo random or repetitive) is to be generated. When a pseudo random pattern is to be generated, PI[31:0] should be set to FFFFFFFFH. The data is loaded each time pattern insertion register #4 is written. Pattern insertion registers #1 - #3 should be loaded with the desired data before pattern register #4 is written. When a repetitive pattern is transmitted, PI[31] is transmitted first, followed by the remaining bits in

sequence down to PI[0]. Subsequently, PI [pattern_length-1] down to PI[0] will be repetitively transmitted, where pattern_length is the decimal value stored in the PRGD length register.

**Register 07CH, 0FCH, 17CH, 1FCH, 27CH, 2FCH ,37CH, 3FCH: PRGD
Pattern Detector #1**

Bit	Type	Function	Default
Bit 7	R	PD[7]	X
Bit 6	R	PD[6]	X
Bit 5	R	PD[5]	X
Bit 4	R	PD[4]	X
Bit 3	R	PD[3]	X
Bit 2	R	PD[2]	X
Bit 1	R	PD[1]	X
Bit 0	R	PD[0]	X

**Register 07DH, 0FDH, 17DH, 1FDH, 27DH, 2FDH ,37DH, 3FDH: PRGD
Pattern Detector #2**

Bit	Type	Function	Default
Bit 7	R	PD[15]	X
Bit 6	R	PD[14]	X
Bit 5	R	PD[13]	X
Bit 4	R	PD[12]	X
Bit 3	R	PD[11]	X
Bit 2	R	PD[10]	X
Bit 1	R	PD[9]	X
Bit 0	R	PD[8]	X

**Register 07EH, 0FEH, 17EH, 1FEH, 27EH, 2FEH ,37EH, 3FEH: PRGD
Pattern Detector #3**

Bit	Type	Function	Default
Bit 7	R	PD[23]	X
Bit 6	R	PD[22]	X
Bit 5	R	PD[21]	X
Bit 4	R	PD[20]	X
Bit 3	R	PD[19]	X
Bit 2	R	PD[18]	X
Bit 1	R	PD[17]	X
Bit 0	R	PD[16]	X

**Register 07FH, 0FFH, 17FH, 1FFH, 27FH, 2FFH ,37FH, 3F0H: PRGD
Pattern Detector #4**

Bit	Type	Function	Default
Bit 7	R	PD[31]	X
Bit 6	R	PD[30]	X
Bit 5	R	PD[29]	X
Bit 4	R	PD[28]	X
Bit 3	R	PD[27]	X
Bit 2	R	PD[26]	X
Bit 1	R	PD[25]	X
Bit 0	R	PD[24]	X

PD[31:0]:

Reading PD[31:0] returns the contents of the pattern detector data register selected by the PDR[1:0] bits in the control register. All three detector data registers are updated during an accumulation interval.

When PDR[1:0] is set to 00 or 01, reading PD[31:0] returns the contents of the pattern receive register. The 32 bits received immediately before the last

accumulation interval are present on PD[31:0]. PD[0] contains the bit received immediately prior to the last accumulation.

When PDR[1:0] is set to 10, reading PD[31:0] returns the contents of the error counter holding register. The value in this register represents the number of bit errors that were accumulated during the last accumulation interval, up to a maximum (saturation) value of $2^{32}-1$. Note that bit errors are not accumulated while the pattern detector is out of sync.

When PDR[1:0] is set to 11, reading PD[31:0] returns the contents of the bit counter holding register. The value in this register represents the total number of bits that were received during the last accumulation interval, up to a maximum (saturation) value of $2^{32}-1$.

Writing to any of these registers causes them to be updated, and the internal counters reset. The XFERI bit in PRGD Enable/Status register will go high once the update is complete, and an interrupt will be generated if enabled.

TEST FEATURES DESCRIPTION

Simultaneously asserting (low) the CSB, RDB and WRB inputs causes all digital output pins and the data bus to be held in a high-impedance state. This test feature may be used for board testing.

Test mode registers are used to apply test vectors during production testing of the EOCTL. Test mode registers (as opposed to normal mode registers) are mapped into addresses 400H-7FFH.

Test mode registers may also be used for board testing. When all of the constituent Telecom System Blocks (TSBs) within the EOCTL are placed in test mode 0, device inputs may be read and device outputs may be forced via the microprocessor interface (refer to the section "Test Mode 0" for details).

In addition, the EOCTL also supports a standard IEEE 1149.1 five-signal JTAG boundary scan test port for use in board testing. All digital device inputs may be read and all digital device outputs may be forced via the JTAG test port.

Notes on Test Mode Register Bits:

1. Writing values into unused register bits has no effect. However, to ensure software compatibility with future, feature-enhanced versions of the product, unused register bits must be written with logic zero. Reading back unused bits can produce either a logic one or a logic zero; hence, unused register bits should be masked off by software when read.
2. Writable test mode register bits are not initialized upon reset unless otherwise noted.

Register 008H: EOCTL Master Test

Bit	Type	Function	Default
Bit 7	R/W	A_TM[9]	X
Bit 6	R/W	A_TM[8]	X
Bit 5	R/W	A_TM[7]	X
Bit 4	W	PMCTST	X
Bit 3	W	DBCTRL	0
Bit 2	R/W	IOTST	0
Bit 1	W	HIZDATA	0
Bit 0	R/W	HIZIO	0

This register is used to select EOCTL test features. All bits, except for PMCTST and A_TM[9:7] are reset to zero by a hardware reset of the EOCTL; a software reset of the EOCTL does not affect the state of the bits in this register. Refer to the Test Features Description section for more information.

A_TM[9]:

The state of the A_TM[9] bit internally replaces the input address line A[9] when PMCTST is set. This allows for more efficient use of the PMC manufacturing test vectors.

A_TM[8]:

The state of the A_TM[8] bit internally replaces the input address line A[8] when PMCTST is set. This allows for more efficient use of the PMC manufacturing test vectors.

A_TM[7]:

The state of the A_TM[7] bit internally replaces the input address line A[7] when PMCTST is set. This allows for more efficient use of the PMC manufacturing test vectors.

PMCTST:

The PMCTST bit is used to configure the EOCTL for PMC's manufacturing tests. When PMCTST is set to logic 1, the EOCTL microprocessor port becomes the test access port used to run the PMC manufacturing test vectors. The PMCTST bit is logically "ORed" with the IOTST bit, and is cleared by setting CSB to logic 1.

DBCTRL:

The DBCTRL bit is used to pass control of the data bus drivers to the CSB pin. When the DBCTRL bit is set to logic one and either IOTST or PMCTST are logic one, the CSB pin controls the output enable for the data bus. While the DBCTRL bit is set, holding the CSB pin high (IOTST must be set to logic 1 since CSB high resets PMCTST) causes the EOCTL to drive the data bus and holding the CSB pin low tristates the data bus. The DBCTRL bit overrides the HIZDATA bit. The DBCTRL bit is used to measure the drive capability of the data bus driver pads.

IOTST:

The IOTST bit is used to allow normal microprocessor access to the test registers and control the test mode in each block in the EOCTL for board level testing. When IOTST is a logic 1, all blocks are held in test mode and the microprocessor may write to a block's test mode 0 registers to manipulate the outputs of the block and consequently the device outputs (refer to the "Test Mode 0 Details" in the "Test Features" section).

HIZIO,HIZDATA:

The HIZIO and HIZDATA bits control the tristate modes of the EOCTL. While the HIZIO bit is a logic 1, all output pins of the EOCTL except the data bus are held in a high-impedance state. The microprocessor interface is still active. While the HIZDATA bit is a logic 1, the data bus is also held in a high-impedance state which inhibits microprocessor read cycles.

Test Mode 0 Details

In test mode 0, the EOCTL allows the logic levels on the device inputs to be read through the microprocessor interface and allows the device outputs to be forced to either logic level through the microprocessor interface. To enable test mode 0, the IOTST bit in the Master Test Register is set to logic 1 and the following addresses must be written with 00H: 411H, 414H, 419H, 420H, 421H, 424H, 425H, 431H, 432H, 443H, 458H, 459H, 45DH, 462H, 465H, 466H, 468H, 469H, 471H and 472H. In addition, addresses 450H and 448H must be written with 00H for all three values of RDLCSSEL[1:0] and TDPRSEL[1:0] in the Data Link Select register (address 00AH). Repeat these writes to 491H, 494H, 499H, ... , 4F1H, then 511H .. 571H, and so on until all 8 octants have been set up.

Writing to the following addresses forces the outputs to the value in the corresponding bit.

Table 39 - Test Mode 0 Input Signal Write Addresses

Addr	Bit 7	Bit 6	Bit 5	Bit 4	Bit 3	Bit 2	Bit 1	Bit 0
413H ²	ID[1]	ISIG[1]	0	0	IFP[1]	0		
41BH ²							0	EFP/ECLK[1] ³
424H	INT ¹					TLCLK[1]		TLD[1]
493H ²	ID[2]	ISIG[2]	0	0	IFP[2]	0		
49BH ²							0	EFP/ECLK[2] ³
4A4H	INT ¹					TLCLK[2]		TLD[2]
513H ²	ID[3]	ISIG[3]	0	0	IFP[3]	0		
51BH ²							0	EFP/ECLK[3] ³
524H	INT ¹					TLCLK[3]		TLD[3]
593H ²	ID[4]	ISIG[4]	0	0	IFP[4]	0		
59BH ²							0	EFP/ECLK[4] ³
5A4H	INT ¹					TLCLK[4]		TLD[4]
613H ²	ID[5]	ISIG[5]	0	0	IFP[5]	0		
61BH ²							0	EFP/ECLK[5] ³
624H	INT ¹					TLCLK[5]		TLD[5]
693H ²	ID[6]	ISIG[6]	0	0	IFP[6]	0		
69BH ²							0	EFP/ECLK[6] ³
6A4H	INT ¹					TLCLK[6]		TLD[6]
713H ²	ID[7]	ISIG[7]	0	0	IFP[7]	0		
71BH ²							0	EFP/ECLK[7] ³
724H	INT ¹					TLCLK[7]		TLD[7]
793H ²	ID[8]	ISIG[8]	0	0	IFP[8]	0		
79BH ²							0	EFP/ECLK[8] ³
7A4H	INT ¹					TLCLK[8]		TLD[8]

Reading the following address locations forces the outputs to the value in the corresponding bit position:

Table 40 - Test Mode 0 Output Signal Read Addresses

Addr	Bit 7	Bit 6	Bit 5	Bit 4	Bit 3	Bit 2	Bit 1	Bit 0
413H								CIFP
414H			CICLK					
41BH				CTCLK	CECLK	CEFP	ESIG[1] ⁴	ED[1]
420H					XCLK	RLCLK[1]		RLD[1]
493H								CIFP
494H			CICLK					
49BH				CTCLK	CECLK	CEFP	ESIG[2] ⁴	ED[2]
4A0H					XCLK	RLCLK[2]		RLD[2]
513H								CIFP
514H			CICLK					
51BH				CTCLK	CECLK	CEFP	ESIG[3] ⁴	ED[3]
520H					XCLK	RLCLK[1]		RLD[3]
593H								CIFP
594H			CICLK					
59BH				CTCLK	CECLK	CEFP	ESIG[4] ⁴	ED[4]
5A0H					XCLK	RLCLK[4]		RLD[4]
613H								CIFP
614H			CICLK					
61BH				CTCLK	CECLK	CEFP	ESIG[5] ⁴	ED[5]
620H					XCLK	RLCLK[5]		RLD[5]
693H								CIFP
694H			CICLK					
69BH				CTCLK	CECLK	CEFP	ESIG[6] ⁴	ED[6]
6A0H					XCLK	RLCLK[6]		RLD[6]
713H								CIFP
714H			CICLK					
71BH				CTCLK	CECLK	CEFP	ESIG[7] ⁴	ED[7]
720H					XCLK	RLCLK[7]		RLD[7]
793H								CIFP
794H			CICLK					
79BH				CTCLK	CECLK	CEFP	ESIG[8] ⁴	ED[8]
7A0H					XCLK	RLCLK[8]		RLD[8]

Notes:

1. INT corresponds to output INTB. INTB is an open drain output and should be pulled high for proper operation. Writing a logic one to any of the INT bits causes the EOCTL to drive INTB low. Writing a logic zero to all the INT bits tristates the INTB output.
2. Bits 2, 4, and 5 of the register must be written with '0' to force values on ID[x], ISIG[x] and IFP[x].
3. To control the EFP/ECLK output, the ESIG_EN bit in the Egress Interface Options register (003H) must be set to logic 0, and the ECLKSLV bit in the Transmit Backplane Configuration register (018H) must be set to logic 1.
4. To read the ESIG input, the ESIG_EN bit in the Egress Interface Options register (003H) must be set to logic 1, and the ECLKSLV bit in the Transmit Backplane Configuration register (018H) must be set to logic 1.

JTAG Test Port

The EOCTL JTAG Test Access Port (TAP) allows access to the TAP controller and the 4 TAP registers: instruction, bypass, device identification and boundary scan. Using the TAP, device input logic levels can be read, device outputs can be forced, the device can be identified and the device scan path can be bypassed. For more details on the JTAG port, please refer to the Operations section.

Table 41 - Instruction Register

Length - 3 bits

Instructions	Selected Register	Instruction Codes, IR[2:0]
EXTEST	Boundary Scan	000
IDCODE	Identification	001
SAMPLE	Boundary Scan	010
BYPASS	Bypass	011
BYPASS	Bypass	100
STCTEST	Boundary Scan	101
BYPASS	Bypass	110
BYPASS	Bypass	111

Table 42 - Identification Register

Length	32 bits
Version number	3H
Part Number	6388H
Manufacturer's identification code	0CDH
Device identification	363880CDH

Table 43 - Boundary Scan Register

Length - 120 bits

Pin/ Enable	Register Bit	Cell Type	I.D. Bit	Pin/ Enable	Register Bit	Cell Type	I.D. Bit
HIZ ^{2,3}	120	OUT_CELL	0	IFP8	54	OUT_CELL	(0)
RLD1	119	IN_CELL	0	SIG8	53	OUT_CELL	(0)
RLCLK1	118	IN_CELL	1	ID8	52	OUT_CELL	(0)
RLD2	117	IN_CELL	1	IFP7	51	OUT_CELL	(0)
RLCLK2	116	IN_CELL	0	ISIG7	50	OUT_CELL	(0)
RLD3	115	IN_CELL	1	ID7	49	OUT_CELL	(0)
RLCLK3	114	IN_CELL	1	IFP6	48	OUT_CELL	(0)
RLD4	113	IN_CELL	0	ISIG6	47	OUT_CELL	(0)
RLCLK4	112	IN_CELL	0	ID6	46	OUT_CELL	(0)
TLD1	111	OUT_CELL	0	IFP5	45	OUT_CELL	(0)
TLCLK1	110	OUT_CELL	1	ISIG5	44	OUT_CELL	(0)
TLD2	109	OUT_CELL	1	ID5	43	OUT_CELL	(0)
TLCLK2	108	OUT_CELL	1	IFP4	42	OUT_CELL	(0)
TLD3	107	OUT_CELL	0	ISIG4	41	OUT_CELL	(0)
TLCLK3	106	OUT_CELL	0	ID4	40	OUT_CELL	(0)
TLD4	105	OUT_CELL	0	IFP3	39	OUT_CELL	(0)
TLCLK4	104	OUT_CELL	1	ISIG3	38	OUT_CELL	(0)
TLD5	103	OUT_CELL	0	ID3	37	OUT_CELL	(0)
TLCLK5	102	OUT_CELL	0	IFP2	36	OUT_CELL	(0)
TLD6	101	OUT_CELL	0	ISIG2	35	OUT_CELL	(0)
TLCLK6	100	OUT_CELL	0	ID2	34	OUT_CELL	(0)
TLD7	99	OUT_CELL	0	IFP1	33	OUT_CELL	(0)
TLCLK7	98	OUT_CELL	0	ISIG1	32	OUT_CELL	(0)
TLD8	97	OUT_CELL	0	ID1	31	OUT_CELL	(0)
TLCLK8	96	OUT_CELL	1	ESIG8	30	IO_CELL	(0)
RLD5	95	IN_CELL	1	ESIG_OEB8 ¹	29	OUT_CELL	(0)
RLCLK5	94	IN_CELL	0	ED8	28	OUT_CELL	(1)
RLD6	93	IN_CELL	0	ESIG7	27	IO_CELL	(0)
RLCLK6	92	IN_CELL	1	ESIG_OEB7 ¹	26	OUT_CELL	(0)
RLD7	91	IN_CELL	1	ED7	25	OUT_CELL	(1)
RLCLK7	90	IN_CELL	0	ESIG6	24	IO_CELL	(0)
RLD8	89	IN_CELL	1	ESIG_OEB6 ¹	23	OUT_CELL	(0)
RLCLK8	88	IN_CELL	(0)	ED6	22	OUT_CELL	(1)
RSTB	87	IN_CELL	(0)	ESIG5	21	IO_CELL	(0)
INTB	86	OUT_CELL	(0)	ESIG_OEB5 ¹	20	OUT_CELL	(0)
D0	85	IO_CELL	(0)	ED5	19	OUT_CELL	(1)
D0_OEB ¹	84	OUT_CELL	(0)	ESIG4	18	IO_CELL	(0)
D1	83	IO_CELL	(0)	ESIG_OEB4 ¹	17	OUT_CELL	(0)
D1_OEB ¹	82	OUT_CELL	(0)	ED4	16	OUT_CELL	(1)
D2	81	IO_CELL	(0)	ESIG3	15	IO_CELL	(0)
D2_OEB ¹	80	OUT_CELL	(0)	ESIG_OEB3 ¹	14	OUT_CELL	(0)
D3	79	IO_CELL	(0)	ED3	13	OUT_CELL	(1)
D3_OEB ¹	78	OUT_CELL	(0)	ESIG2	12	IO_CELL	(0)
D4	77	IO_CELL	(0)	ESIG_OEB2 ¹	11	OUT_CELL	(0)
D4_OEB ¹	76	OUT_CELL	(0)	ED2	10	OUT_CELL	(1)
D5	75	IO_CELL	(0)	ESIG1	9	IO_CELL	(0)

D5_OEB ¹	74	OUT_CELL	(0)	ESIG_OEB1 ¹	8	OUT_CELL	(0)
D6	73	IO_CELL	(0)	ED1	7	OUT_CELL	(1)
D6_OEB ¹	72	OUT_CELL	(0)	XCLK	6	IN_CELL	(1)
D7	71	IO_CELL	(0)	CIFP	5	IN_CELL	(1)
D7_OEB ¹	70	OUT_CELL	(0)	CICLK	4	IN_CELL	(1)
ALE	69	IN_CELL	(0)	CEFP	3	IN_CELL	(1)
A[0:10]	68:58	IN_CELL	(0)	CECLK	2	IN_CELL	(1)
CSB	57	IN_CELL	(1)	CTCLK	1	IN_CELL	(1)
WRB	56	IN_CELL	(1)				
RDB	55	IN_CELL	(1)				

NOTES:

1. All OEB signals will set the corresponding bidirectional signal to an output when set low.
2. When set high, TLD[8:1], TLCLK[8:1], ID[8:1], ISIG[8:1], IFP[8:1], and INTB will be set to high impedance.
3. HIZ is the first bit in the boundary scan chain.

Boundary Scan Cells

In the following diagrams, CLOCK-DR is equal to TCK when the current controller state is SHIFT-DR or CAPTURE-DR, and unchanging otherwise. The multiplexer in the centre of the diagram selects one of four inputs, depending on the status of select lines G1 and G2. The ID Code bit is as listed in the Boundary Scan Register table located above.

Figure 17 - Input Observation Cell (IN_CELL)

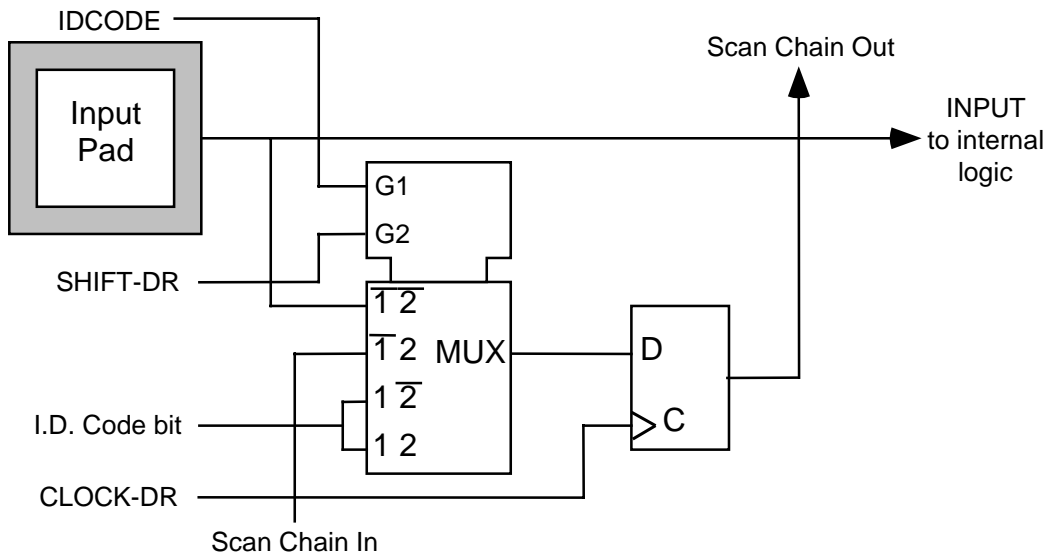


Figure 18 - Output Cell (OUT_CELL)

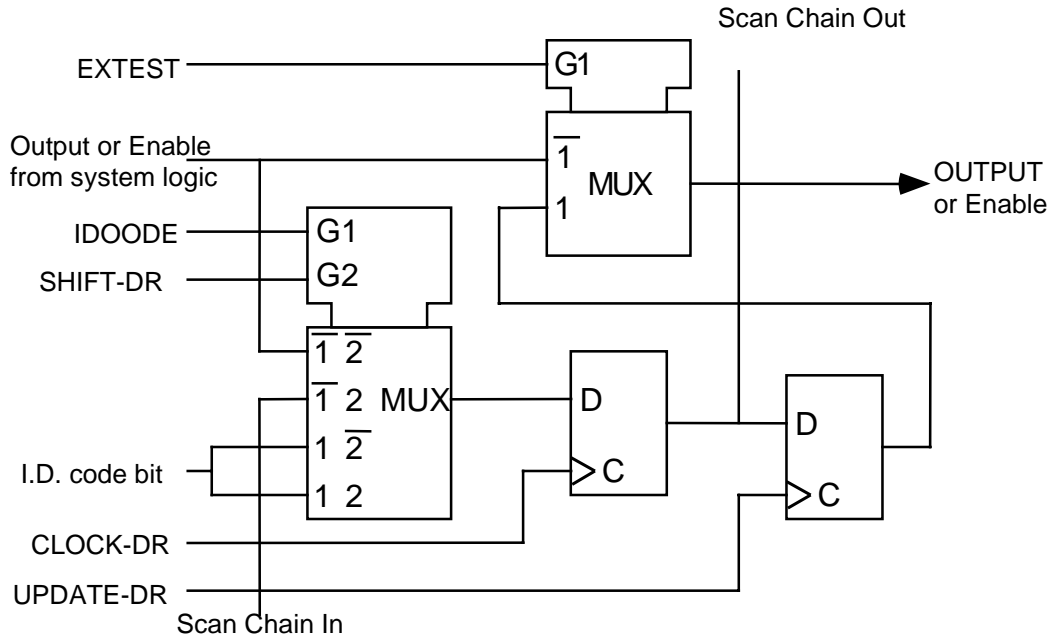


Figure 19 - Bidirectional Cell (IO_CELL)

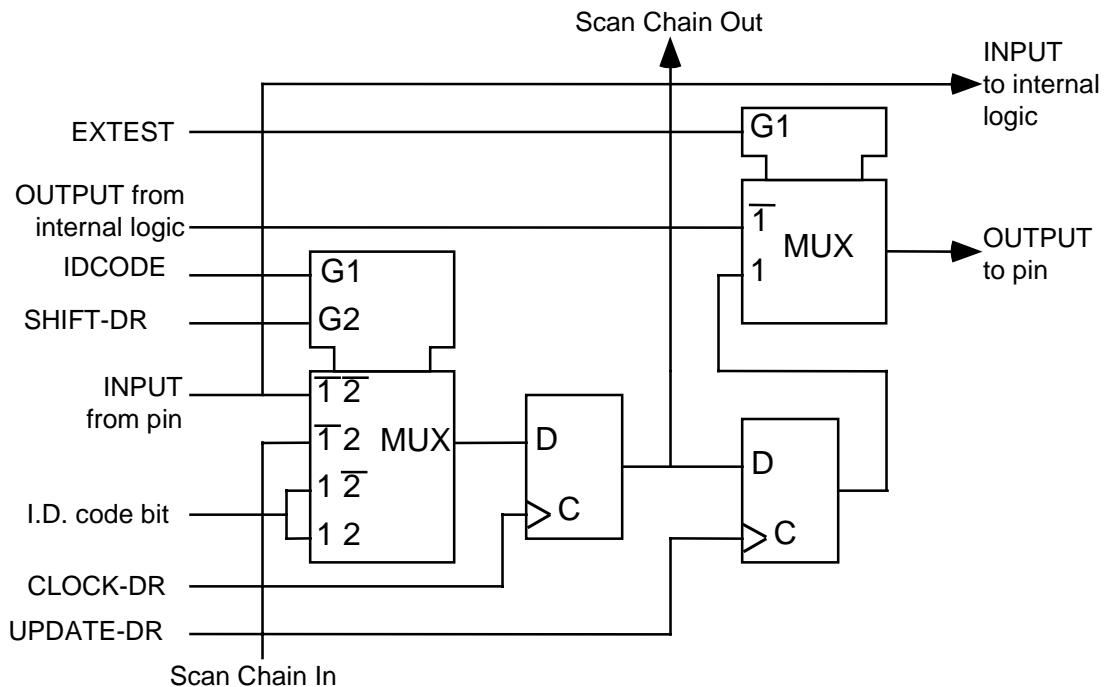
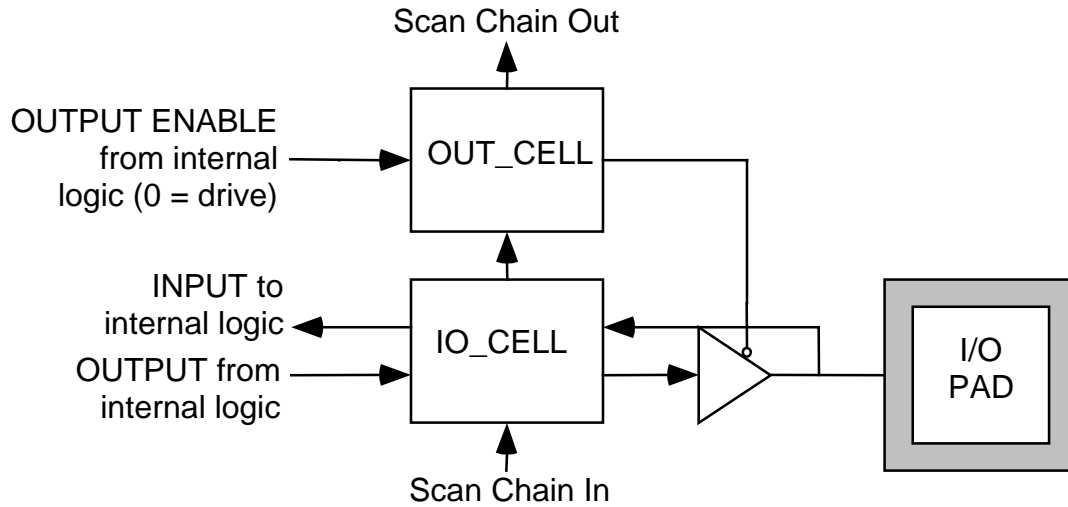


Figure 20 - Layout of Output Enable and Bidirectional Cells



11 OPERATION

11.1 Configuring the EOCTL from Reset

After a system reset (either via the RSTB pin or via the RESET register bit), the EOCTL will default to the following settings:

Default Settings

Setting	Receiver Section	Transmitter Section
Framing Format	<ul style="list-style-type: none"> • Basic G.704 with CRC multiframe enabled. • Channel Associated Signaling is enabled. 	<ul style="list-style-type: none"> • Basic G.704 with CRC multiframe enabled. • Channel Associated Signaling is enabled.
E1 line interface	<ul style="list-style-type: none"> • RLD[x] inputs NRZ data sampled on rising RLCLK[x] edge. • RJAT Clock Divisors (N1, N2) set to '2F' and the phase delay of the PLL is synchronized to RLCLK[x]. 	<ul style="list-style-type: none"> • TLD[x] outputs NRZ data updated on falling TLCLK[x] edge • TJAT Clock Divisors (N1, N2) set to '2F' and the phase delay of the PLL is synchronized to the Egress backplane clock.
Ingress/Egress Interfaces	<ul style="list-style-type: none"> • Clock Slave: External Signaling Mode • Multiplexed ingress backplane mode disabled • ID[x], ISIG[x] updated on rising CICK edge • Elastic Store enabled, CIFP indicates frame alignment • ID[x], ISIG[x], IFP[x] held in high-impedance state • Backplane rate set to 1.544 Mbits G.802 DS1 from E1 mapping 	<ul style="list-style-type: none"> • Clock Slave: External Signaling Mode • Multiplexed egress backplane mode disabled • ED[x] and ESIG[x] sampled on rising CECLK edge • CEFP indicates frame alignment • Backplane rate set to 1.544 Mbits G.802 DS1 from E1 mapping
Data Link	<ul style="list-style-type: none"> • internal RDLCs disabled • TS16 extracted to RDLC#1 	<ul style="list-style-type: none"> • internal TDPRs disabled (all 1's passed through)
Options	<ul style="list-style-type: none"> • Automatic trunk conditioning disabled • PRGD configured to monitor test patterns 	<ul style="list-style-type: none"> • PRGD configured to insert test patterns in the Egress direction and test for patterns in the Ingress direction.

Timing Options	Not applicable	<ul style="list-style-type: none"> • Digital jitter attenuation enabled, with TLCLK[x] referenced to CECLK
Diagnostics	<ul style="list-style-type: none"> • All diagnostic modes disabled 	<ul style="list-style-type: none"> • All diagnostic modes disabled

After reset, the EOCTL needs to be configured for operation in one of the modes outlined in the Backplane Receive Interface and Backplane Transmit Interface sections. The following tables illustrate example setups for the various modes. For more detailed information on setting up the EOCTL, consult the Operations section of this document.

Ingress Non-Multiplexed Clock Master: Full E1/NxTS

Setting	Ingress Direction	
	Register	Data
Ingress Line Interface		
Set divisors to FFH	X21H, XA1H X22H, XA2H	'b11111111 'b11111111
Set SYNC = 0	X23H, XA3H	'b00100000
Ingress Backplane Interface		
<i>Select (A) or (B)</i>		
(A) Full E1 Set: Clock Master Mode FE and DE (ex. FE = 1, DE = 0) Select Full E1	X10H, X90H	'b00001001
(B) NxTS Configure the RPSC Enable the RPSC For each channel placed on ID[x], set the appropriate channels' NxTS_IDLE bit. (ex. TS1-16 on ID[x])	X5CH, XDCH RPSC Offset 20H-2FH 30H-3FH 40H-7FH	'b00000011 'b01000000 'b00000000 'b00000000
Set: Clock Master Mode FE and DE (ex. FE = 1, DE = 0) Select NxTS (ex. without F-bit)	X10H, X90H	'b10001001
Turn off high impedance	X12H, X92H	'b00000001

Ingress Non-Multiplexed Clock Slave: ICLK Reference/External Signaling

Setting	Ingress Direction	
	Register	Data
Ingress Line Interface		
Set divisors to FFH	X21H, XA1H X22H, XA2H	'b11111111 'b11111111
Set SYNC = 0	X23H, XA3H	'b00100000
Ingress Backplane Interface		
<i>Select (A) or (B)</i>		
(A) ICLK Reference Set: ICLK Reference Select ICLK source (ex. 8kHz ref)	X01H, X81H	'b00000000
(B) External Signaling Set: External Signaling	X01H, X81H	'b01000000
Set: Clock Slave Mode FE and DE (ex. FE = 1, DE = 0)	X10H, X90X	'b00101001
Turn off high impedance	X12H, X92H	'b00000001

Ingress Multiplexed Bus Operation

Setting	Ingress Direction	
	Register	Data
Ingress Line Interface		
Set divisors to FFH	X21H, XA1H X22H, XA2H	'b11111111 'b11111111
Set SYNC = 0	X23H, XA3H	'b00100000
Ingress Backplane Interface		
Set: Clock Slave Mode, 8.192MHz FE and DE (ex. FE = 1, DE = 0)	X10H, X90H	'b00101011
Set Frame Pulse Type (ex. Octant 1 & 2 -> FP Master Octant 3-8 -> FP Slave)	011H, 091H 111H, 191H 211H, 291H 311H, 391H	'b00000000 'b00100000 'b00100000 'b00100000
Configure Timeslot Offset	013H, 093H 113H, 193H 213H, 293H 313H, 393H	'b00000000 'b00000001 'b00000010 'b00000011
Set: Enable Multiplexed bus Select the desired bus (ex. 1,3,5,7 -> MID[1], 2,4,6,8 -> MID[2])	001H, 101H 201H, 301H 081H, 181H 281H, 381H	'b01001000 'b01001000 'b01011000 'b01011000
Turn off high impedance	X12H, X92H	'b00000001

Egress Non-Multiplexed Clock Master: Full E1/NxTS

Setting	Egress Direction	
	Register	Data
Egress Line Interface		
Set divisors to FFH	X25H, XA5H X26H, XA6H	'b11111111 'b11111111
Set SYNC = 0	X27H, XA7H	'b00100000
Egress Backplane Interface		
<i>Select (A) or (B)</i>		
(A) Full E1 Set: Clock Master Mode FE and DE (ex. FE = 1, DE = 1) Select Full E1	X18H, X98H	'b00111001
(B) NxTS Configure the TPSC Enable the TPSC For each channel placed on ED[x], set the appropriate channels' NxTS_IDLE bit. (ex. TS1-16 on ED[x])	X60H, XE0H TPSC Offset 20H-2FH 30H-3FH 40H-7FH	'b00000011 'b01000000 'b00000000 'b00000000
Set: Clock Master Mode FE and DE (ex. FE = 1, DE = 1) Select NxTS	X18H, X98H	'b10011001

Egress Non-Multiplexed Clock Slave: EFP/External Signaling

Setting	Egress Direction	
	Register	Data
Egress Line Interface		
Set divisors to FFH	X25H, XA5H X26H, XA6H	'b11111111 'b11111111
Set SYNC = 0	X27H, XA7H	'b00100000
Egress Backplane Interface		
<i>Select (A) or (B)</i>		
(A) EFP Set: EFP Select	X03H, X83H	'b00000000
(B) External Signaling Set: External Signaling	X03H, X83H	'b01000000
Set: Clock Slave Mode FE and DE (ex. FE = 1, DE = 1)	X18H, X98X	'b00111001

Egress Multiplexed Bus Operation

Setting	Egress Direction	
	Register	Data
Egress Line Interface		
Set divisors to FFH	X25H, XA5H X26H, XA6H	'b11111111 'b11111111
Set SYNC = 0	X27H, XA7H	'b00100000
Egress Backplane Interface		
Set: Clock Slave Mode, 8.192MHz FE and DE (ex. FE = 1, DE = 1)	X18H, X98H	'b00111011
Configure Timeslot Offset	013H, 093H	'b00000000
	113H, 193H	'b00000001
	213H, 293H	'b00000010
	313H, 393H	'b00000011
Set: Enable Multiplexed bus Select the desired bus (ex. 1,3,5,7 -> MED[1], 2,4,6,8 -> MED[2])	003H, 103H 203H, 303H 083H, 183H 283H, 383H	'b01000000 'b01000000 'b01010000 'b01010000

In the following tables the “Addr Offset” is the address relative to 000H, 080H, 100H, 180H, 200H, 280H, 300H, or 380H depending on which framer is being configured.

To access the Performance Monitor Registers, the following polling sequence should be used:

PMON Polling Sequence

Action	Addr Offset	Data	Effect
Write PMON FER Count Register (To transfer the PMON registers for all eight framers, write the Revision/Chip ID/Global PMON Update register.)	069H	00H	Latch performance data into PMON registers
Read FER Count Register	069H		Read Framing bit error event count
Read FEBE Count (LSB) Register	06AH		Read least significant byte of FEBE event count
Read FEBE Count (MSB) Register	06BH		Read most significant byte of FEBE event count
Read CRC Count (LSB) Register	06CH		Read most significant byte of CRC error event count
Read CRC Count (MSB) Register	06DH		Read most significant byte of CRC error event count

11.2 Using the Multiplexed Backplane

The EOCTL backplane interface can be configured to operate on a Mitel ST[®], AT&T CHI[®] and MVIP PCM 8.192 Mbit/s multiplexed bus. The ingress and egress backplanes can be configured independently.

11.2.1 Ingress Multiplexed Bus Configuration

To configure the ingress backplane for the multiplexed bus mode, the RATE[1:0] bits in the BRIF Configuration Register (010H, 090H, 110H, 190H, 210H, 290H, 310H, 390H) must be programmed to the binary value 11 and the ICLKSLV bit must be set to logic 1. The ISIG_EN bit in the Ingress Interface Options Register (001H, 081H, 101H, 181H, 201H, 281H, 301H, 381H) should be set to logic 1. This sets the EOCTL ingress interface to work in clock-slave, signaling enabled, multiplexed bus mode. All eight octants of the EOCTL must have these bits programmed as specified above.

Next, each octant’s data must be configured to be applied to the desired timeslot/bitslot on the desired bus. There are two 8.192 Mbit/s ingress multiplexed

buses on the EOCTL. Both are required if the full E1 bandwidth is to be output. The MIBUS2 bit in the Ingress Interface Options Register configures the octant to be on the second bus (MCICLK[2], MCIFP[2], MID[2], MISIG[2]) if it is logic 1. If MIBUS2 is set to logic 0, the octant will reside on the first multiplexed bus (MCICLK[1], MCIFP[1], MID[1], and MISIG[1]). The octant's data is configured for the desired timeslot by setting the TSOFF[6:0] bits in the BRIF Time Slot Offset Register and for the desired bitslot by setting the BOFF[2:0] bits in the BRIF Bit Offset Register.

For example, if it is desired that the first octant's data be output on the first timeslot (byte) of the multiplexed bus, TSOFF[6:0] should be set to 0. If it is desired to be on second timeslot of the bus, TSOFF[6:0] should be set to 1. For the third timeslot, TSOFF[6:0] should be set to 2. For the fourth timeslot, TSOFF[6:0] should be set to 3. Values larger than 3 will move the first byte of the E1 frame away from the MCIFP reference. For instance, if the first byte of the E1 frame for the octant is desired to be output 65 bytes away from MCIFP, then the value 65 should be written to TSOFF[6:0] for that octant.

Bit offsets work the same way. It is possible to shift the octants' output data on a bit-by-bit basis relative to MCIFP. Setting BOFF_EN to logic 1 in the BRIF Bit Offset Register and programming the BOFF[2:0] bits will set the bit-offset. Refer to the Receive Backplane Bit Offset tables (Table 9 and Table 10) for the appropriate BOFF[2:0] value for a desired offset.

Finally, to activate the octant's data on the selected multiplexed bus, the MIBUS_EN bit in the Ingress Interface Options Register must be set to logic 1. If MIBUS_EN is logic 0, that octant will not drive the MID[x] or MISIG[x] outputs. The MID[x] and MISIG[x] outputs will be tri-stated during any bits in which no octants are configured to output data. When programming the TSOFF and BOFF bits, one must be careful not to overlap data from different octants as unexpected outputs may occur.

The ingress multiplexed clocks may be set to double the bus' data rate. If the CMS register bit in the BRIF Configuration Register is set to logic 1, then the clock rate on MCICLK[x] will be expected to be 16.384 MHz.

Most of the timing diagrams in this document show them for the non-multiplexed mode. These can be adapted to the multiplexed mode by envisioning these diagrams as the result of a divide-down circuit which divides the multiplexed clock by 4 (or 8 if CMS is set to logic 1) and selects only the data from the appropriate timeslot (which occurs every fourth timeslot of the multiplexed bus).

11.2.2 Egress Multiplexed Bus Configuration

To configure the egress backplane for the multiplexed bus mode, the RATE[1:0] bits in the BTIF Configuration Register (018H, 098H, 118H, 198H, 218H, 298H, 318H,

398H) must be programmed to the binary value 11 and the ECLKSLV bit must be set to logic 1. The ESIG_EN bit in the Egress Interface Options Register (003H, 083H, 103H, 183H, 203H, 283H, 303H, 383H) should be set to logic 1. This sets the EOCTL egress interface to work in clock-slave, signaling enabled, multiplexed bus mode. All eight octants of the EOCTL must have these bits programmed as specified above.

Next, each octant's data must be configured to be taken from the appropriate timeslot/bitslot on the desired bus. There are two 8.192 Mbit/s egress multiplexed buses on the EOCTL. Both are required if the full E1 bandwidth for all 8 octants is to be input. The MEBUS2 bit in the Egress Interface Options Register configures the octant to use the second multiplexed bus (MCECLK[2], MCEFP[2], MED[2], MESIG[2]) if it is logic 1. If MEBUS2 is set to logic 0, the octant will extract data from the first multiplexed bus (MCECLK[1], MCEFP[1], MED[1], and MESIG[1]). The octant's data is configured for the desired timeslot by setting the TSOFF[6:0] bits in the BTIF Time Slot Offset Register and for the desired bitslot by setting the BOFF[2:0] bits in the BTIF Bit Offset Register.

For example, if it is desired that the first octant's data be taken from the first timeslot (byte) of the multiplexed bus, TSOFF[6:0] should be set to 0. If it is desired to be from the second timeslot of the bus, TSOFF[6:0] should be set to 1. For the third timeslot, TSOFF[6:0] should be set to 2. For the fourth timeslot, TSOFF[6:0] should be set to 3. Values larger than 3 will move the first byte of the E1 frame away from the MCEFP reference. For instance, if the first byte of the E1 frame for the octant is desired to be output 32 bytes away from MCEFP, then the value 32 should be written to TSOFF[6:0] for that octant.

Bit offsets work the same way. It is possible to shift the octants' output data on a bit-by-bit basis relative to MCEFP. Setting BOFF_EN to logic 1 in the BTIF Bit Offset Register and programming the BOFF[2:0] bits will set the bit-offset. Refer to the Transmit Backplane Bit Offset tables (Table 13 and Table 14) for the appropriate BOFF[2:0] value for a desired offset.

If the CMS bit of the BTIF Configuration Register is set to logic 1, then the clock-speed on MECLK[x] is expected to be 16.384 MHz. All octants on the same multiplexed bus should have their CMS bit set to the same value to avoid unexpected results.

Most of the timing diagrams in this document show them for the non-multiplexed mode. These can be adapted to the multiplexed mode by envisioning these diagrams as the result of a divide-down circuit which divides the multiplexed clock by 4 (or 8 if CMS is set to logic 1) and selects only the data from the appropriate timeslot (which occurs every fourth timeslot of the multiplexed bus).

11.3 Using the Per-Timeslot Transmit Data Link Director

The TXCI is used to direct data link insertion from one of the 3 TDPR blocks into any timeslot. It is capable of controlling insertion of 3 different data links into 3 different timeslots on an E1 link. It is also capable of controlling insertion of data links into any or all of the bits on the selected timeslot. Finally, it can control insertion of the data link onto the selected timeslots/bits on all frames, only odd frames, or only even frames of the E1 CRC multiframe.

By default (DL1_EVEN = 0, DL1_ODD = 0, TS16_EN = 0), data link insertion is disabled. When TS_16_EN = 1, TDPR #1 is used to source a datalink into timeslot 16 in place of signaling data.

If a data link is desired to be placed on another timeslot using TDPR#X, then DLX_EVEN and/or DLX_ODD must be set to logic 1. If only DLX_EVEN is set, then the data link will only be inserted on the selected timeslot/bits on the FAS frames. If only DLX_ODD is set, then the data link will only be inserted on the selected timeslot/bits on the NFAS frames.

For example, to insert a data link stream from TDPR#2 onto all bits of timeslot 31 of all frames, the following TXCI register bits should be set before enabling TDPR#2 (see the section "Using the Internal FDL Transmitter").

1. DL2_EVEN = 1
2. DL2_ODD = 1
3. DL2_TS[4:0] = 'b11111
4. DL2_BIT[7:0] = 'b11111111

To insert a data link stream from TDPR#1 onto the Sa5 National Bit, the following TXCI register bits should be set before enabling TDPR#1.

1. DL1_EVEN = 0
2. DL1_ODD = 1
3. TS16_EN = 0
4. DL1_TS[4:0] = 'b00000
5. DL1_BIT[7:0] = 'b00001000

To disable data link insertion, the DLX_EVEN bit should be set to logic 1 and all DLX_BIT[7:0] should be set to logic 0.

11.4 Using the Internal FDL Transmitter

The access rate to the TDPR registers is limited by the rate of the high-speed system clock (XCLK). The TDPR registers should be accessed (with respect to WRB rising edge and RDB falling edge) at a rate no faster than 1/8 that of the 49.152 MHz XCLK. This time is used by the high-speed system clock to sample the event, write the FIFO, and update the FIFO status.

Upon reset of the EOCTL, the TDPR should be disabled by setting the EN bit in the TDPR Configuration Register to logic 0 (default value). An HDLC all-ones Idle signal will be sent while in this state. The TDPR should then be enabled by setting EN to logic 1. The FIFOCLR bit should be set and then cleared to initialize the TDPR FIFO. The TDPR is now ready to transmit.

To initialize the TDPR, the TDPR Configuration Register must be properly set. If FCS generation is desired, the CRC bit should be set to logic 1. If the block is to be used in interrupt driven mode, then interrupts should be enabled by setting the FULLE, OVRE, UDRE, and LFILLE bits in the TDPR Interrupt Enable register to logic 1. The TDPR operating parameters in the TDPR Upper Transmit Threshold and TDPR Lower Interrupt Threshold registers should be set to the desired values. The TDPR Upper Transmit Threshold sets the value at which the TDPR automatically begins the transmission of HDLC packets, even if no complete packets are in the FIFO. Transmission will continue until the current packet is transmitted and the number of bytes in the TDPR FIFO falls to, or below, this threshold level. The TDPR will always transmit all complete HDLC packets (packets with EOM attached) in its FIFO. Finally, the TDPR can be enabled by setting the EN bit to logic 1. If no message is sent after the EN bit is set to logic 1, continuous flags will be sent.

The TDPR can be used in a polled or interrupt driven mode for the transfer of data. In the polled mode the processor controlling the TDPR must periodically read the TDPR Interrupt Status register to determine when to write to the TDPR Transmit Data register. In the interrupt driven mode, the processor controlling the TDPR uses the INTB output, the EOCTL Interrupt ID register, and the EOCTL Interrupt Source registers to identify TDPR interrupts which determine when writes can or must be done to the TDPR Transmit Data register.

Interrupt Driven Mode:

The TDPR automatically transmits a packet once it is completely written into the TDPR FIFO. The TDPR also begins transmission of bytes once the FIFO level exceeds the programmable Upper Transmit Threshold. The CRC bit can be set to logic 1 so that the FCS is generated and inserted at the end of a packet. The TDPR Lower Interrupt Threshold should be set to such a value that sufficient warning of an underrun is given. The FULLE, LFILLE, OVRE, and UDRE bits are all set to logic 1

so an interrupt on INTB is generated upon detection of a FIFO full state, a FIFO depth below the lower limit threshold, a FIFO overrun, or a FIFO underrun. The following procedure should be followed to transmit HDLC packets:

- 1) Wait for data to be transmitted. Once data is available to be transmitted, then go to step 2.
- 2) Write the data byte to the TDPR Transmit Data register.
- 3) If all bytes in the packet have been sent, then set the EOM bit in the TDPR Configuration register to logic 1. Go to step 1.
- 4) If there are more bytes in the packet to be sent, then go to step 2.

While performing steps 1 to 4, the processor should monitor for interrupts generated by the TDPR. When an interrupt is detected, the TDPR Interrupt Routine detailed in the following text should be followed immediately.

The TDPR will force transmission of the packet information when the FIFO depth exceeds the threshold programmed with the UTHR[6:0] bits in the TDPR Upper Transmit Threshold register. Transmission will not stop until the last byte of all complete packets is transmitted and the FIFO depth is at or below the threshold limit. The user should watch the FULLI and LFILLI interrupts to prevent overruns and underruns.

TDPR Interrupt Routine:

Upon assertion of INTB, the source of the interrupt must first be identified by reading the Interrupt ID register and Interrupt Source registers. Once the source of the interrupt has been identified as TDPR, then the following procedure should be carried out:

- 1) Read the TDPR Interrupt Status register.
- 2) If UDRI=1, then the FIFO has underrun and the last packet transmitted has been corrupted and needs to be retransmitted. When the UDRI bit transitions to logic 1, one Abort sequence and continuous flags will be transmitted. The TDPR FIFO is held in reset state. To reenble the TDPR FIFO and to clear the underrun, the TDPR Interrupt Status/UDR Clear register should be written with any value.
- 3) If OVRI=1, then the FIFO has overflowed. The packet which the last byte written into the FIFO belongs to has been corrupted and must be retransmitted. Other packets in the FIFO are not affected. Either a timer can be used to determine when sufficient bytes are available in the FIFO or the user can wait until the LFILLI interrupt is set, indicating that the FIFO

depth is at the lower threshold limit. The next write to the TDPR Transmit Data register should contain the first byte of the next packet to be transmitted.

If the FIFO overflows on the packet currently being transmitted (packet is greater than 128 bytes long), the OVRI bit is set, an Abort signal is scheduled to be transmitted, the FIFO is emptied, and then flags are continuously sent until there is data to be transmitted. The FIFO is held in reset until a write to the TDPR Transmit Data register occurs. This write contains the first byte of the next packet to be transmitted.

- 4) If FULLI=1 and FULL=1, then the TDPR FIFO is full and no further bytes can be written. When in this state, either a timer can be used to determine when sufficient bytes are available in the FIFO or the user can wait until the LFILLI interrupt is set, indicating that the FIFO depth is at the lower threshold limit.

If FULLI=1 and FULL=0, then the TDPR FIFO had reached the FULL state earlier, but has since emptied out some of its data bytes and now has space available in its FIFO for more data.

- 5) If LFILLI=1 and BLFILL=1, then the TDPR FIFO depth is below its lower threshold limit. If there is more data to transmit, then it should be written to the TDPR Transmit Data register before an underrun occurs. If there is no more data to transmit, then an EOM should be set at the end of the last packet byte. Flags will then be transmitted once the last packet has been transmitted.

If LFILLI=1 and BLFILL=0, then the TDPR FIFO had fallen below the lower-threshold state earlier, but has since been refilled to a level above the lower-threshold level.

Polling Mode:

The TDPR automatically transmits a packet once it is completely written into the TDPR FIFO. The TDPR also begins transmission of bytes once the FIFO level exceeds the programmable Upper Transmit Threshold. The CRC bit can be set to logic 1 so that the FCS is generated and inserted at the end of a packet. The TDPR Lower Interrupt Threshold should be set to such a value that sufficient warning of an underrun is given. The FULLE, LFILLE, OVRE, and UDRE bits are all set to logic 0 since packet transmission is set to work with a periodic polling procedure. The following procedure should be followed to transmit HDLC packets:

- 1) Wait until data is available to be transmitted, then go to step 2.
- 2) Read the TDPR Interrupt Status register.

- 3) If FULL=1, then the TDPR FIFO is full and no further bytes can be written. Continue polling the TDPR Interrupt Status register until either FULL=0 or BLFILL=1. Then, go to either step 4 or 5 depending on implementation preference.
- 4) If BLFILL=1, then the TDPR FIFO depth is below its lower threshold limit. Write the data into the TDPR Transmit Data register. Go to step 6.
- 5) If FULL=0, then the TDPR FIFO has room for at least 1 more byte to be written. Write the data into the TDPR Transmit Data register. Go to step 6.
- 6) If more data bytes are to be transmitted in the packet, then go to step 2.
- 7) If all bytes in the packet have been sent, then set the EOM bit in the TDPR Configuration register to logic 1. Go to step 1.

11.5 Using the Per-Timeslot Receive Data Link Extractor

The RXCE is used to direct data link extraction from any timeslot. It is capable of controlling extraction of 3 different data links from 3 different timeslots of an E1 link. It is also capable of controlling data links extraction from any or all of the bits of the selected timeslot. Finally, it can control extraction of the data link from the selected timeslots/bits of all frames, only odd frames, or only even frames of the E1 CRC multiframe.

By default (DL1_EVEN = 0, DL1_ODD = 0, TS16_EN = 1), extraction of the data link is to RDLC#1 from TS16 of the E1 link. Note that RDLC#1 must be enabled before the data link can be properly extracted (see the section “Using the Internal FDL Receiver”).

If a data link is desired to be extracted from another timeslot using RDLC#X, then DLX_EVEN and/or DLX_ODD must be set to logic 1. If only DLX_EVEN is set, then the data link will only be extracted from the selected timeslot/bits on the FAS frames. If only DLX_ODD is set, then the data link will only be extracted from the selected timeslot/bits on the NFAS frames.

For example, to extract a data link stream to RDLC#3 from all bits of timeslot 15 of all frames, the following RXCE register bits should be set before enabling RDLC#3.

5. DL3_EVEN = 1
6. DL3_ODD = 1
7. DL3_TS[4:0] = 'b01111
8. DL3_BIT[7:0] = 'b11111111

To extract a data link stream to RDLC#1 from the Sa5 and Sa7 National Bits, the following RXCE register bits should be set before enabling RDLC#1.

6. DL1_EVEN = 0
7. DL1_ODD = 1
8. TS16_EN = 0
9. DL1_TS[4:0] = 'b00000
10. DL1_BIT[7:0] = 'b00001010

11.6 Using the Internal FDL Receiver

The RDLC requires 15 XCLK cycles to process the results of accesses to the RDLC Status and RDLC Data registers. Thus, accesses to these registers should not occur at a rate greater than 1/15 of the 49.152 MHz XCLK.

On power up of the system, the RDLC should be disabled by setting the EN bit in the Configuration Register to logic 0 (default state). The RDLC Interrupt Control register should then be initialized to enable the INTB output and to select the FIFO buffer fill level at which an interrupt will be generated. If the INTE bit is not set to logic 1, the RDLC Status register must be continuously polled to check the interrupt status (INTR) bit.

After the RDLC Interrupt Control register has been written, the RDLC can be enabled at any time by setting the EN bit in the RDLC Configuration register to logic 1. When the RDLC is enabled, it will assume the link status is idle (all ones) and immediately begin searching for flags. When the first flag is found, an interrupt will be generated, and a dummy byte will be written into the FIFO buffer. This is done to provide alignment of link up status with the data read from the FIFO. When an abort character is received, another dummy byte and link down status is written into the FIFO. This is done to provide alignment of link down status with the data read from the FIFO. It is up to the controlling processor to check the COLS bit in the RDLC Status register for a change in the link status. If the COLS bit is set to logic 1, the FIFO must be emptied to determine the current link status. The first flag and abort status encoded in the PBS bits is used to set and clear a Link Active software flag.

When the last byte of a properly terminated packet is received, an interrupt is generated. While the RDLC Status register is being read the PKIN bit will be logic 1. This can be a signal to the external processor to empty the bytes remaining in the FIFO or to just increment a number-of-packets-received count and wait for the FIFO to fill to a programmable level. Once the RDLC Status register is read, the PKIN bit is cleared to logic 0. If the RDLC Status register is read immediately after the last packet byte is read from the FIFO, the PBS[2] bit will be logic 1 and the CRC and non-integer byte status can be checked by reading the PBS[1:0] bits.

When the FIFO fill level is exceeded, an interrupt is generated. The FIFO must be emptied to remove this source of interrupt.

The RDLC can be used in a polled or interrupt driven mode for the transfer of frame data. In the polled mode, the processor controlling the RDLC must periodically read the RDLC Status register to determine when to read the RDLC Data register. In the interrupt driven mode, the processor controlling the RDLC must identify the interrupt source to determine when to read the RDLC Data register.

When the RDLC is identified as the interrupt source, the RDLC should be serviced as follows:

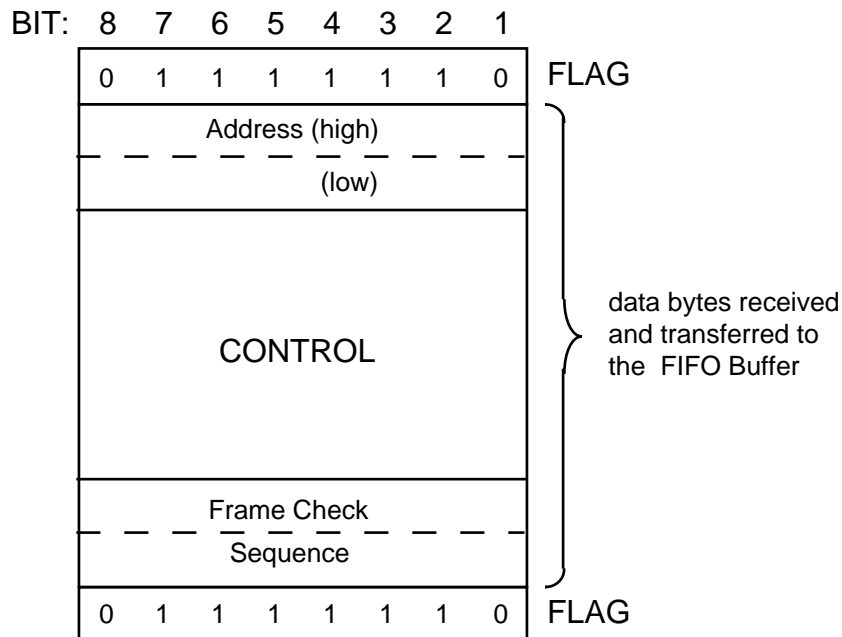
- 1) RDLC Status register read. The INTR bit should be logic 1 if the RDLC is the interrupt source.
- 2) If OVR = 1, then discard last frame and go to step 1. Overrun causes a reset of FIFO pointers. Any packets that may have been in the FIFO are lost.
- 3) If COLS = 1, then set the EMPTY FIFO software flag.
- 4) If PKIN = 1, increment the PACKET COUNT. If the FIFO is desired to be emptied as soon as a complete packet is received, set the EMPTY FIFO software flag. If the EMPTY FIFO software flag is not set, FIFO emptying will be delayed until the FIFO fill level is exceeded.
- 5) Read the RDLC Data register.
- 6) Read the RDLC Status register.
- 7) If OVR = 1, then discard last frame and go to step 1. Overrun causes a reset of FIFO pointers. Any packets that may have been in the FIFO are lost.
- 8) If COLS = 1, then set the EMPTY FIFO software flag.
- 9) If PKIN = 1, increment the PACKET COUNT. If the FIFO is desired to be emptied as soon as a complete packet is received, set the EMPTY FIFO software flag. If the EMPTY FIFO software flag is not set, FIFO emptying will be delayed until the FIFO fill level is exceeded.
- 10) Start the processing of FIFO data. Use the PBS[2:0] packet byte status bits to decide what is to be done with the FIFO data.
 - 10.1) If PBS[2:0] = 001, discard data byte read in step 5 and set the LINK ACTIVE software flag.

- 10.2) If $PBS[2:0] = 010$, discard the data byte read in step 5 and clear the LINK ACTIVE software flag.
 - 10.3) If $PBS[2:0] = 1XX$, store the last byte of the packet, decrement the PACKET COUNT, and check the $PBS[1:0]$ bits for CRC or NVB errors before deciding whether or not to keep the packet.
 - 10.4) If $PBS[2:0] = 000$, store the packet data.
- 11) If $FE = 0$ and $INTR = 1$ or $FE = 0$ and $EMPTY\ FIFO = 1$, go to step 5 else clear the EMPTY FIFO software flag and leave this interrupt service routine to wait for the next interrupt.

The link state is typically a local software variable. The link state is inactive if the RDLC is receiving all ones or receiving bit-oriented codes which contain a sequence of eight ones. The link state is active if the RDLC is receiving flags or data.

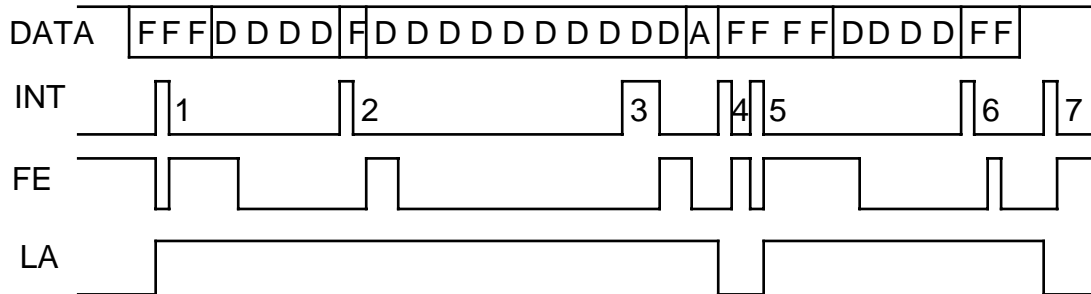
If the RDLC data transfer is operating in the polled mode, processor operation is exactly as shown above for the interrupt driven mode, except that the entry to the service routine is from a timer, rather than an interrupt.

Figure 21 - Typical Data Frame



Bit 1 is the first serial bit to be received. When enabled, the primary, secondary and universal addresses are compared with the high order packet address to determine a match.

Figure 22 - Example Multi-Packet Operational Sequence



- F - flag sequence (01111110)
- A - abort sequence (01111111)
- D - packet data bytes
- INT - active high interrupt output
- FE - internal FIFO empty status
- LA - state of the LINK ACTIVE software flag

Figure 22 shows the timing of interrupts, the state of the FIFO, and the state of the Data Link relative the input data sequence. The cause of each interrupt and the processing required at each point is described in the following paragraphs.

At points 1 and 5 the first flag after all ones or abort is detected. A dummy byte is written in the FIFO, FE goes low, and an interrupt goes high. When the interrupt is detected by the processor it reads the dummy byte, the FIFO becomes empty, and the interrupt is removed. The LINK ACTIVE (LA) software flag is set to logic 1.

At points 2 and 6 the last byte of a packet is detected and interrupt goes high. When the interrupt is detected by the processor, it reads the data and status registers until the FIFO becomes empty. The interrupt is removed as soon as the RDLC Status register is read since the FIFO fill level of 8 bytes has not been exceeded. It is possible to store many packets in the FIFO and empty the FIFO when the FIFO fill level is exceeded. In either case the processor should use this interrupt to count the number of packets written into the FIFO. The packet count or a software time-out can be used as a signal to empty the FIFO.

At point 3 the FIFO fill level of 8 bytes is exceeded and interrupt goes high. When the interrupt is detected by the processor it must read the data and status registers until the FIFO becomes empty and the interrupt is removed.

At points 4 or 7 an abort character is detected, a dummy byte is written into the FIFO, and interrupt goes high. When the interrupt is detected by the processor it must read the data and status registers until the FIFO becomes empty and the interrupt is removed. The LINK ACTIVE software flag is cleared.

11.7 Using the PRGD Pattern Generator/Detector

The pattern generator/detector block provides a valuable diagnostic tool, capable of generating and detecting an enormous variety of pseudo-random and repetitive patterns. Controlling the PRGD is accomplished by programming four register sets: the Pattern Generator/Detector Positioning/Control Register (00CH, 08CH, 10CH, 18CH, 20CH, 28CH, 30CH, 38CH), the TPSC Internal Registers 20H-3FH, the SIGX Internal Registers 40H-5FH, and the PRGD registers.

11.7.1.1 Using PRGD to test E1 link integrity

For example, suppose it is desired to monitor the error rate on a E1 link without taking the entire E1 offline. A subset of channels should be chosen (say channels 1,3,5 and 7) to carry PRBS instead of data. The TPSC Timeslot Control Bytes for channels 1,3,5 and 7 must have their TEST bits set to logic 1, and PCCE must be set in the TPSC Configuration register to enable the per-TS functions. The Pattern Generator/Detector Positioning/Control Register should be written to its default of all-zeroes. The PRGD should be configured to generate the desired PRBS sequence. The selected channels will then be treated as a single, concatenated data stream in which the selected PRBS will appear. If the device at the far end of the line can be set to loop back at least the selected channels, then the PRGD can be used to monitor the return error rate. The RPSC Per-Timeslot Configuration registers for channels 1,3,5, and 7 must have their TEST bits set to logic 1, and the PCCE bit set in the RPSC Configuration register to enable the per-TS functions. The PRGD will then synchronize to the returning pattern, and begin counting errors. To determine the BER, an periodic accumulation of the PRGD detection registers may be forced by writing to one of the PRGD Pattern Detector registers, by writing to the Revision/Chip ID/Global PMON Update register (009H), or via the AUTOUPDATE feature. The bit error count, bits received count, and previous 32 bits received are then available via the Pattern Detector registers.

In this scenario, any desired combination of channels may be selected. If it is desired to insert the test pattern in the entire E1, including the framing bits, then UNF_GEN must be set in the Pattern Generator/Detector Positioning/Control Register, and framing bit insertion must be disabled by setting FDIS to logic 1 in the E1 TRAN Configuration Register. To detect such an unframed sequence, UNF_DET must also be set.

11.7.1.2 Using PRGD to test backplane integrity

If, instead, it is desired to test the backplane side of the system, RXPATGEN may be set to logic 1 in the Pattern Generator/Detector Positioning/Control Register. This will cause the pattern to replace the data received in the selected channels of RLD[x], and will cause the PRGD to search for the desired PRBS on the ED[x] stream.

11.7.1.3 Generating and detecting repetitive patterns

When a repetitive pattern (such as 1-in-8) is to be generated or detected, the PS bit must be set to logic 1. The pattern length register must be set to (N-1), where N is the length of the desired repetitive pattern. Several examples of programming for common repetitive sequences are given below in the Common Test Patterns section.

For pattern generation, the desired pattern must be written into the PRGD Pattern Insertion registers. The repetitive pattern will then be continuously generated. The generated pattern will be inserted in data stream formed from the selected channels, but the phase of the pattern cannot be guaranteed.

For pattern detection, the PRGD will determine if a repetitive pattern of the length specified in the pattern length register exists in the selected channels. It does so by loading the first N bits from the selected channels, and then monitoring to see if the pattern loaded repeats itself error free for the subsequent 48 bit periods. It will repeat this process until it finds a repetitive pattern of length N, at which point it begins counting errors (and possibly re-synchronizing) in the same way as for pseudo-random sequences. Note that the PRGD does NOT look for the pattern loaded into the Pattern Insertion registers, but rather automatically detects any repetitive pattern of the specified length. The precise pattern detected can be determined by initiating a PRGD update, setting PDR[1:0] = 00 in the PRGD Control register, and reading the Pattern Detector registers (which will then contain the 32 bits detected immediately prior to the strobe).

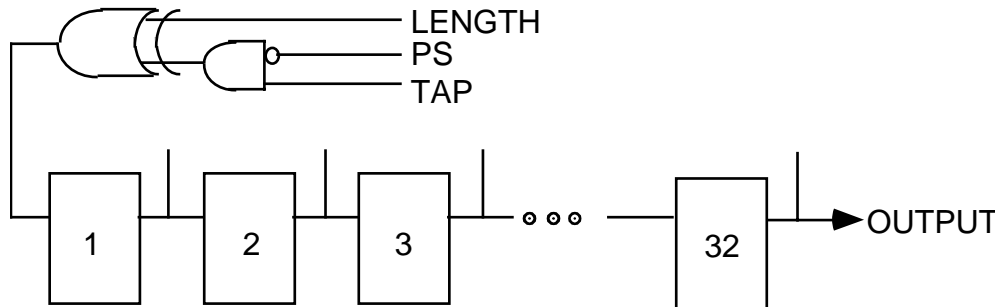
11.7.1.4 Using PRGD with ELST Enabled

If the elastic store is enabled (Ingress interface is in a Clock Slave mode) then the PRGD will operate on the data output from the ELST. This has two effects: first, when the framer is out-of-frame, the ELST Idle Code overwrites the received data, and so patterns cannot be detected in the receive direction until the FRMR finds frame. If patterns must be detected while the FRMR is out-of-frame, then the UNF bit must be set in the Receive Line options Register (Reg. 00H in each octant), disabling the FRMR from finding frame but allowing the data to pass through ELST untouched. Alternatively, the TRKEN bit in the Ingress Interface Option register can be set to logic 0 to disable the ELST Idle Code insertion. The second effect is that if slips occur in the ELST, then the PRGD will be forced to re-synchronize to the incoming pattern.

Note that the default ELST idle code, which is all-ones, is a repetitive pattern of every length, so the PRGD will synchronize to it automatically if repetitive patterns are being detected.

The pattern generator can be configured to generate pseudo random patterns or repetitive patterns as shown in the Figure 23 below:

Figure 23 - PRGD Pattern Generator



The pattern generator consists of a 32 bit shift register and a single XOR gate. The XOR gate output is fed into the first stage of the shift register. The XOR gate inputs are determined by values written to the length register (PL[4:0]) and the tap register (PT[4:0]), when the PS bit is low. When PS is high, the pattern detector functions as a recirculating shift register, with length determined by PL[4:0].

Common Test Patterns

The PRGD can be configured to monitor the standardized pseudo random and repetitive patterns described in ITU-T O.151. The register configurations required to generate these patterns and others are indicated in the two tables below:

Table 44 - Pseudo-Random Pattern Generation (PS bit = 0)

Pattern Type	TR	LR	IR#1	IR#2	IR#3	IR#4	TINV	RINV
2 ³ -1	00	02	FF	FF	FF	FF	0	0
2 ⁴ -1	00	03	FF	FF	FF	FF	0	0
2 ⁵ -1	01	04	FF	FF	FF	FF	0	0
2 ⁶ -1	04	05	FF	FF	FF	FF	0	0
2 ⁷ -1 (Fractional T1 LB Activate)	00	06	FF	FF	FF	FF	0	0

Pattern Type	TR	LR	IR#1	IR#2	IR#3	IR#4	TINV	RINV
2 ⁷ -1 (Fractional T1 LB Deactivate)	03	06	FF	FF	FF	FF	0	0
2 ⁷ -1	03	06	FF	FF	FF	FF	1	1
2 ⁹ -1 (O.153)	04	08	FF	FF	FF	FF	0	0
2 ¹⁰ -1	02	09	FF	FF	FF	FF	0	0
2 ¹¹ -1 (O.152, O.153)	08	0A	FF	FF	FF	FF	0	0
2 ¹⁵ -1 (O.151)	0D	0E	FF	FF	FF	FF	1	1
2 ¹⁷ -1	02	10	FF	FF	FF	FF	0	0
2 ¹⁸ -1	06	11	FF	FF	FF	FF	0	0
2 ²⁰ -1 (O.153)	02	13	FF	FF	FF	FF	0	0
2 ²⁰ -1 (O.151 QRSS bit=1)	10	13	FF	FF	FF	FF	0	0
2 ²¹ -1	01	14	FF	FF	FF	FF	0	0
2 ²² -1	00	15	FF	FF	FF	FF	0	0
2 ²³ -1 (O.151)	11	16	FF	FF	FF	FF	1	1
2 ²⁵ -1	02	18	FF	FF	FF	FF	0	0
2 ²⁸ -1	02	1B	FF	FF	FF	FF	0	0
2 ²⁹ -1	01	1C	FF	FF	FF	FF	0	0
2 ³¹ -1	02	1E	FF	FF	FF	FF	0	0

Table 45 - Repetitive Pattern Generation (PS bit = 1)

Pattern Type	TR	LR	IR#1	IR#2	IR#3	IR#4	TINV	RINV
All ones	00	00	FF	FF	FF	FF	0	0
All zeros	00	00	FE	FF	FF	FF	0	0
Alternating ones/zeros	00	01	FE	FF	FF	FF	0	0

Pattern Type	TR	LR	IR#1	IR#2	IR#3	IR#4	TINV	RINV
Double alternating ones/zeros	00	03	FC	FF	FF	FF	0	0
3 in 24	00	17	22	00	20	FF	0	0
1 in 16	00	0F	01	00	FF	FF	0	0
1 in 8	00	07	01	FF	FF	FF	0	0
1 in 4	00	03	F1	FF	FF	FF	0	0
DS1 Inband loopback activate	00	04	F0	FF	FF	0F	0	0
DS1 Inband loopback deactivate	00	02	FC	FF	FF	FF	0	0

Notes for the Pseudo Random and Repetitive Pattern Generation Tables

1. The PS bit and the QRSS bit are contained in the PRGD Control register
2. TR = Tap Register
3. LR = Shift Register Length Register
4. IR#1 = PRGD Pattern Insertion #1 Register
5. IR#2 = PRGD Pattern Insertion #2 Register
6. IR#3 = PRGD Pattern Insertion #3 Register
7. IR#4 = PRGD Pattern Insertion #4 Register
8. The TINV bit and the RINV bit are contained in the PRGD Control register

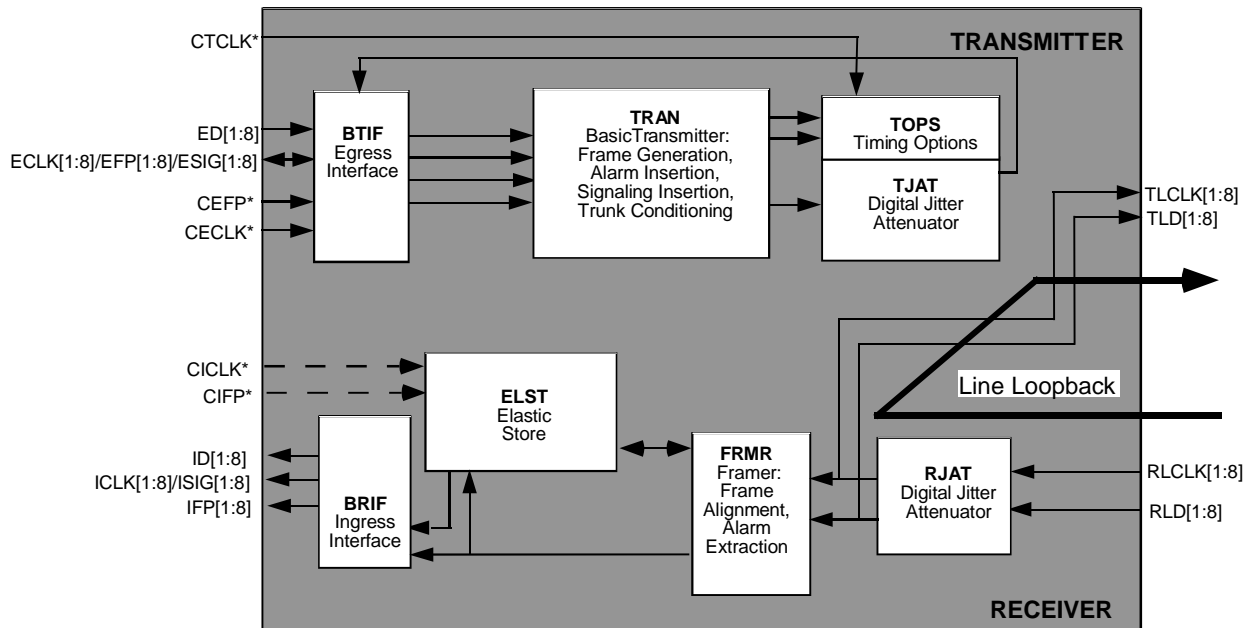
11.8 Using the Loopback Modes

The EOCTL provides three loopback modes to aid in network and system diagnostics. Line loopback can be initiated at any time via the μ P interface, but is usually initiated once an inband loopback activate code is detected. The system Diagnostic Digital loopback can be initiated at any time by the system via the μ P interface to check the path of system data through the framer. The payload can also be looped-back on a per-timeslot basis to allow network testing without taking an entire E1 off-line.

11.8.1 Line Loopback

When LINE loopback (LINELB) is initiated by writing 10H to the Diagnostics Register (007H, 087H, 107H, 187H, 207H, 287H, 307H, and 387H), the appropriate E1 framer in the EOCTL is configured to internally connect the jitter-attenuated clock and data from the RJAT to the transmit line clock and data, TLD[x] and TLCLK[x]. The RJAT may be bypassed if desired. Conceptually, the data flow through a single T1 framer in this loopback condition is illustrated in Figure 24:

Figure 24 - Line Loopback

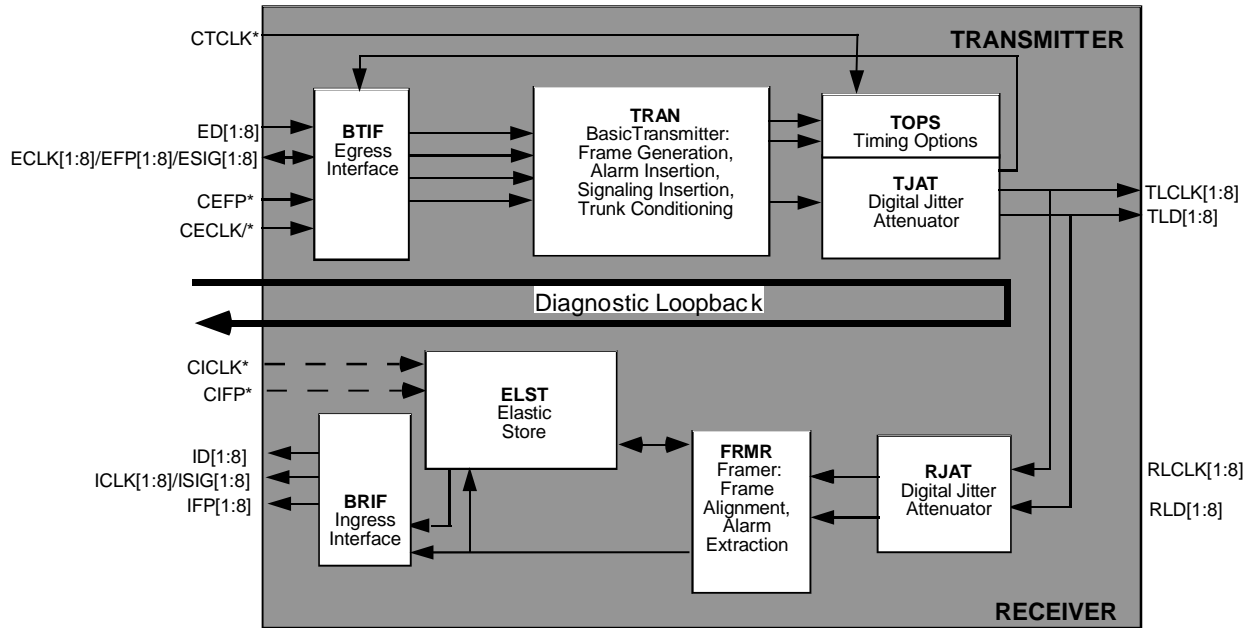


11.8.2 Diagnostic Digital Loopback

When Diagnostic Digital loopback (DDLB) is initiated by writing 04H to the Master Diagnostics Register (009H, 089H, 109H, 189H, 209H, 289H, 309H, and 389H), the

appropriate E1 framer in the EOCTL is configured to internally connect its line clock and data (TLD[x] and TLCLK[x]) to the receive line clock and data (RLD[x] and RLCLK[x]). The data flow through a single E1 framer in this loopback condition is illustrated in Figure 25:

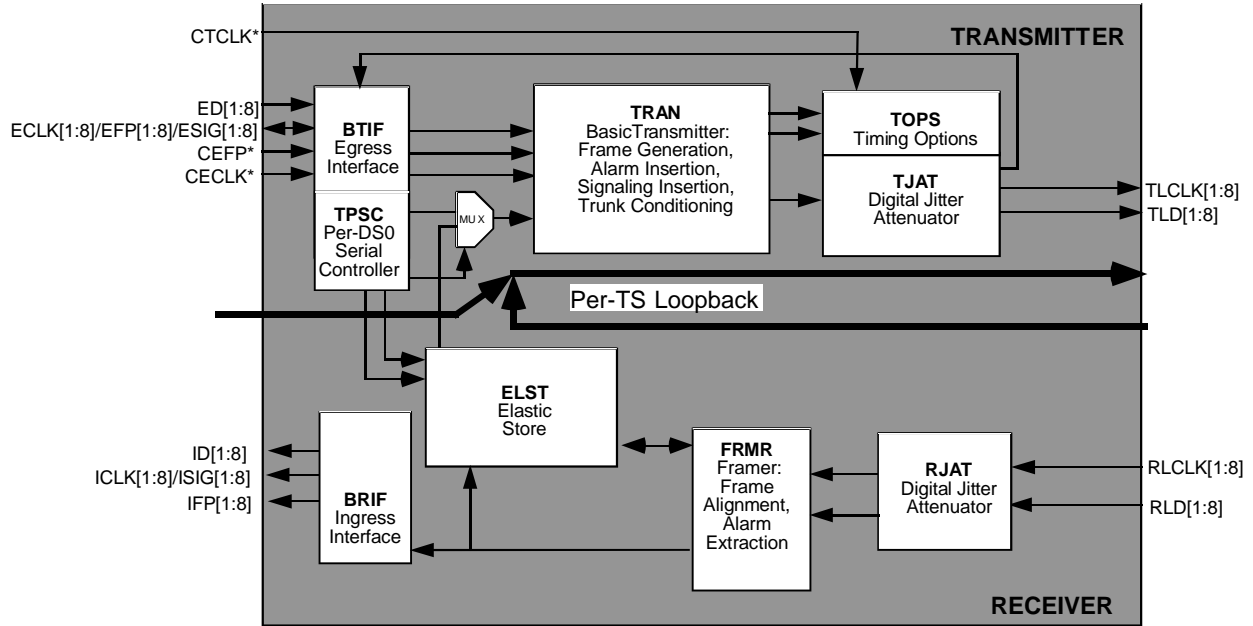
Figure 25 - Diagnostic Digital Loopback



11.8.3 Per-TS Loopback

The E1 payload may be looped-back on a per-timeslot (TS) basis through the use of the TPSC. If all timeslots are looped-back, the result is very similar to Payload Loopback on the PM6344 EQUAD. In order for per-TS loopback to operate correctly, the Ingress Interface must be in Clock Master mode, or else CIFP and CICK* must be connected to CEFP and CECLK, respectively. The LOOP bit must be set to logic 1 in the TPSC Internal Registers for each TS desired to be looped back, and the PCCE bit must be set to logic 1 in the TPSC Configuration register. When all these configurations have been made, the ingress timeslots selected will overwrite their corresponding egress timeslots; the remaining egress timeslots will pass through intact. Note that because the egress and ingress streams will not be multiframe aligned. The data flow in per-TS loopback is illustrated in Figure 26:

Figure 26 - Per-TS Loopback



11.9 Using the Per-TS Serial Controllers

11.9.1 Initialization

Before the TPSC (RPSC) block can be used, a proper initialization of the internal registers must be performed to eliminate erroneous control data from being produced on the block outputs. The output control streams should be disabled by setting the PCCE bit in the TPSC (RPSC) Configuration Register (registers 060H, 0E0H, 160H, 1E0H, 260H, 2E0H, 360H, 3E0H for TPSC; 05CH, 0DCH, 15CH, 1DCH, 25CH, 2DCH, 35CH, 3DCH for RPSC) to logic 0. Then, all 72 locations of the TPSC (RPSC) must be filled with valid data. Finally, the output streams can be enabled by setting the PCCE bit in the TPSC (RPSC) Configuration Register to logic 1.

11.9.2 Direct Access Mode

Direct access mode to the TPSC or RPSC is not used in the EOCTL. However, direct access mode is selected by default whenever the EOCTL is reset. The IND bit within the TPSC and RPSC Configuration Registers must be set to logic 1 after a reset is applied.

11.9.3 Indirect Access Mode

Indirect access mode is selected by setting the IND bit in the TPSC or RPSC Configuration Register to logic 1. When using the indirect access mode, the status of the BUSY indication bit should be polled to determine the status of the microprocessor access: when the BUSY bit is logic 1, the TPSC or RPSC is processing an access request; when the BUSY bit is logic 0, the TPSC or RPSC has completed the request.

The indirect write programming sequence for the TPSC (RPSC) is as follows:

- 1) Check that the BUSY bit in the TPSC (RPSC) μ P Access Status Register is logic 0.
- 2) Write the channel data to the TPSC (RPSC) Channel Indirect Data Buffer register.
- 3) Write RWB=0 and the channel address to the TPSC (RPSC) Channel Indirect Address/Control Register.
- 4) Poll the BUSY bit until it goes to logic 0. The BUSY bit will go to logic 1 immediately after step 3 and remain at logic 1 until the request is complete.

- 5) If there is more data to be written, go back to step 1.

The indirect read programming sequence for the TPSC (RPSC) is as follows:

- 1) Check that the BUSY bit in the TPSC (RPSC) μ P Access Status Register is logic 0.
- 2) Write RWB=1 and the channel address to the TPSC (RPSC) Channel Indirect Address/Control Register.
- 3) Poll the BUSY bit, waiting until it goes to a logic 0. The BUSY bit will go to logic 1 immediately after step 2 and remain at logic 1 until the request is complete.
- 4) Read the requested channel data from the TPSC (RPSC) Channel Indirect Data Buffer register.
- 5) If there is more data to be read, go back to step 1.

Before the RPSC, PCSC or SIGX are configured, the Ingress and Egress backplanes should be set for the appropriate clock rates and modes.

11.10 Using the Transmit Digital Jitter Attenuator

In using TJAT, it is important to choose the appropriate divisors for the phase comparison between the selected reference clock and the generated smooth TLCLK[x].

11.10.1 Default Application

Upon reset, the EOCTL default condition provides jitter attenuation with TLCLK[x] referenced to the common egress clock, CECLK. The TJAT SYNC bit is also logic 1 by default. TJAT is configured to divide its input clock rate, CECLK, and its output clock rate, TLCLK[x], both by 48, which is the maximum length of the FIFO. These divided down clock rates are then used by the phase comparator to update the TJAT DPLL. The phase delay between CECLK and TLCLK[x] is synchronized to the physical data delay through the FIFO. For example, if the phase delay between CECLK and TLCLK[x] is 12UI, the FIFO will be forced to lag its output data 12 bits from its input data.

The default mode works well with the common egress clock running at 2.048MHz.

11.10.2 Data Burst Application

In applications where the transmit backplane line rate is operating at instantaneous frequencies higher than 2.048 MHz, with external gapping, a few factors must be considered to adequately filter the resultant TLCLK[x] into a smooth 2.048MHz clock. The magnitude of the phase shifts in the incoming bursty data are too large to be properly attenuated by the PLL alone. However, the magnitudes, and the frequency components of these phase shifts are known, and are most often multiples of 8 kHz.

The phase shifts of the input clock with respect to the generated TLCLK[x] in this case may be large, but when viewed over a longer period, such as a frame, there is little net phase shift. Therefore, by choosing the divisors appropriately, the large phase shifts can be filtered out, leaving a stable reference for the DPLL to lock onto. In this application, the N1 and N2 divisors should be changed to FFH (i.e. divisors of 256). Consequently, the frequency of the clock inputs to the phase discriminator in the PLL is 8 kHz. The TJAT SYNC option must be disabled, since the divisor magnitude of 256 is not an integer multiple of the FIFO length, 48.

The self-centering circuitry of the FIFO should be enabled by setting the CENT register bit. This sets up the FIFO read pointer to be at least 4 UI away from the end of the FIFO registers, and then disengages. Should variations in the frequency of input clock or the output clock cause the read pointer to drift to within one unit interval of FIFO overflow or underflow, the pointer will be incrementally pushed away by the LIMIT control without any loss of data.

With SYNC disabled, CENT and LIMIT enabled, the maximum tolerable phase difference between the bursty input clock and the smooth TLCLK[x] is 40UI. Phase wander between the two clock signals is compensated for by the LIMIT control.

11.10.3 Elastic Store Application

In multiplex applications where the jitter attenuation is not required, the TJAT FIFO can be used to provide an elastic store function. For example, in an E12 application, the data is written into the FIFO at 2.048MHz and the data is read out of the FIFO with a gapped E2 rate clock applied on CTCLK. In this configuration, the Timing Options OCLKSEL bit should be programmed to 1, and the CTCLKSEL bit should be programmed to 1. Also, the TJAT SYNC and LIMIT bits should be disabled and the CENT bit enabled. This provides the maximum phase difference between the input clock and the gapped output clock of 40UI. The maximum jitter and wander between the two clocks is 8UIp-p.

11.10.4 Alternate TLCLK Reference Application

In applications where TLCLK[x] is referenced to an Nx8 kHz clock source applied on CTCLK, TJAT can be configured by programming the output clock divisor, N2, to C0H and the input clock divisor, N1, to the value (N-1). The resultant input clocks to the phase comparator are both 8kHz. The TJAT SYNC and LIMIT bits should be disabled in this configuration.

11.11 Isolating an Interrupt

When the INTB pin goes low, the following procedure may be used to isolate the interrupt source.

- 1) Read the Interrupt ID register (Register 00BH). The bit corresponding to any framer that has an outstanding interrupt will be logic 1.
- 2) Read the Interrupt Source Registers (Registers 005H and 006H for each framer) for the framer that caused the interrupt. For instance, if framer 5 caused the interrupt, then registers 285H and 286H would be read. The bit corresponding to any block with an outstanding interrupt will be set to logic 1 in these registers.
- 3) Read the register(s) containing the interrupt status bits of the interrupting block in order to determine the event causing the interrupt. A typical block interrupt has two related bits: an enable bit (EVENTE for instance) and an interrupt status bit (EVENTI for instance). EVENTI will go to logic 1 when the triggering event occurs, and goes low when the register containing it is read; the setting of EVENTE has no effect on the value of EVENTI. However, a chip interrupt will only be caused if EVENTE is logic 1 and EVENTI is logic 1. Thus, both the interrupt status bit(s) and their respective enables may need to be read in order to determine which event caused an interrupt. Specific interrupt setups may differ from this model, however.

11.12 Using the Performance Monitor Counter Values

All PMON event counters are of sufficient length so that the probability of counter saturation over a one second interval is very small (less than 0.001%). The odds of any one of the counters saturating during a one second sampling interval go up as the bit error rate (BER) increases. At some point, the probability of counter saturation reaches 50%. This point varies, depending upon the framing format and the type of event being counted. The BER at which the probability of counter saturation reaches 50% is shown for various counters in Table 46.

Table 46 - PMON Counter Saturation Limits

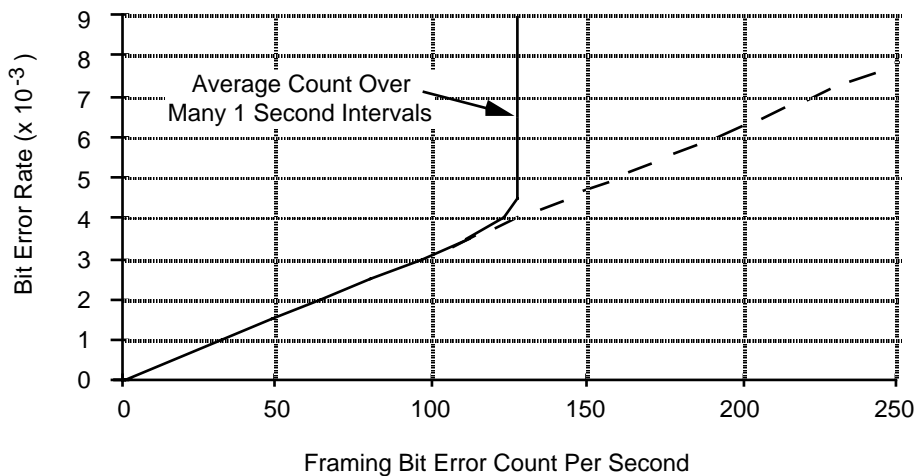
Counter	BER
---------	-----

FER	4.0 X 10 ⁻³
CRCE	cannot saturate
FEBE	cannot saturate

Below these 50% points, the relationship between the BER and the counter event count (averaged over many one second samples) is essentially linear. Above the 50% point, the relationship between BER and the average counter event count is highly non-linear due to the likelihood of counter saturation. The following figures show this relationship for various counters and framing formats. These graphs can be used to determine the BER, given the average event count. In general, if the BER is above 10⁻³, the average counter event count cannot be used to determine the BER without considering the statistical effect of occasional counter saturation.

The following graph illustrates the expected BEE Count for a range of Bit Error Ratios.

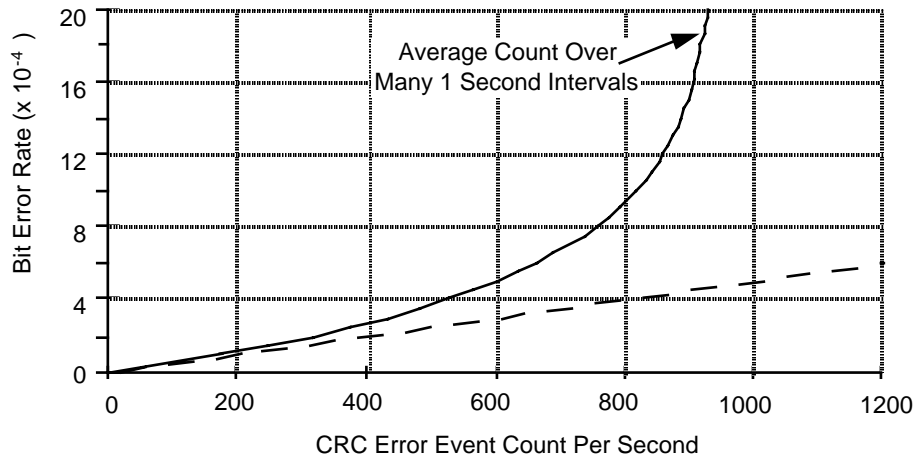
Figure 27 - FER Count vs. BER



Since the maximum number of CRC sub-multiframes that can occur in one second is 1000, the 10-bit FEBE and CRCE counters cannot saturate in one second. Despite this, there is not a linear relationship between BER and CRC-4 block errors due to the nature of the CRC-4 calculation. At BERs below 10⁻⁴, there tends to be no more than one bit error per sub-multiframe, so the number of CRC-4 errors is generally equal to the number of bit errors, which is directly related to the BER. However, at BERs above 10⁻⁴, each CRC-4 error is often due to more than one bit error. Thus, the relationship between BER and CRCE count becomes non-linear above a 10⁻⁴ BER. This must be taken into account when using CRC-4 counts to determine the BER. Since FEBEs are indications of CRCEs at the far end, and are

accumulated identically to CRCEs, the same explanation holds for the FEBE event counter.

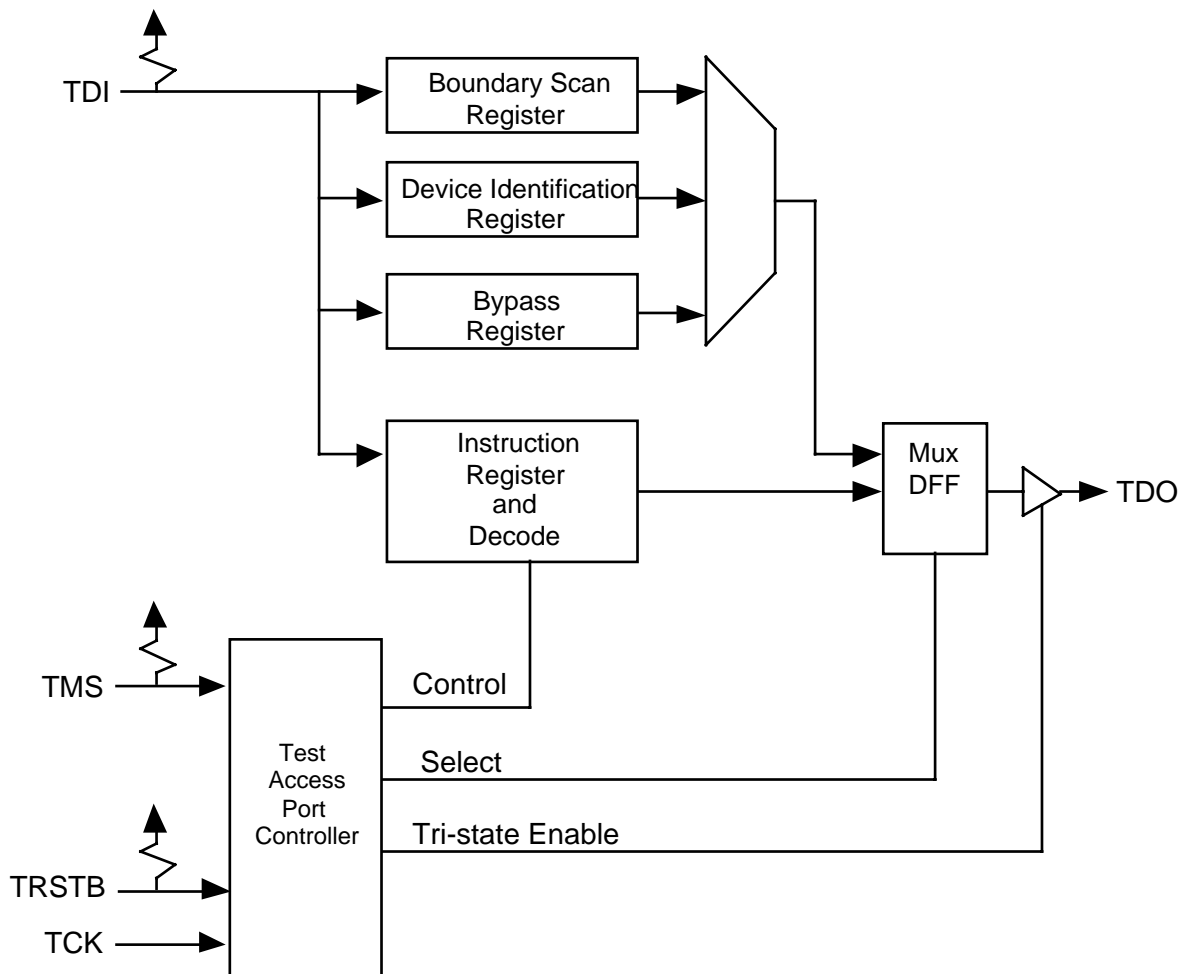
Figure 28 - CRCE Count vs. BER



11.13 JTAG Support

The EOCTL supports the IEEE Boundary Scan Specification as described in the IEEE 1149.1 standards. The Test Access Port (TAP) consists of the five standard pins, TRSTB, TCK, TMS, TDI and TDO used to control the TAP controller and the boundary scan registers. The TRSTB input is the active-low reset signal used to reset the TAP controller. TCK is the test clock used to sample data on input, TDI and to output data on output, TDO. The TMS input is used to direct the TAP controller through its states. The basic boundary scan architecture is shown in Figure 29.

Figure 29 - Boundary Scan Architecture



The boundary scan architecture consists of a TAP controller, an instruction register with instruction decode, a bypass register, a device identification register and a boundary scan register. The TAP controller interprets the TMS input and generates

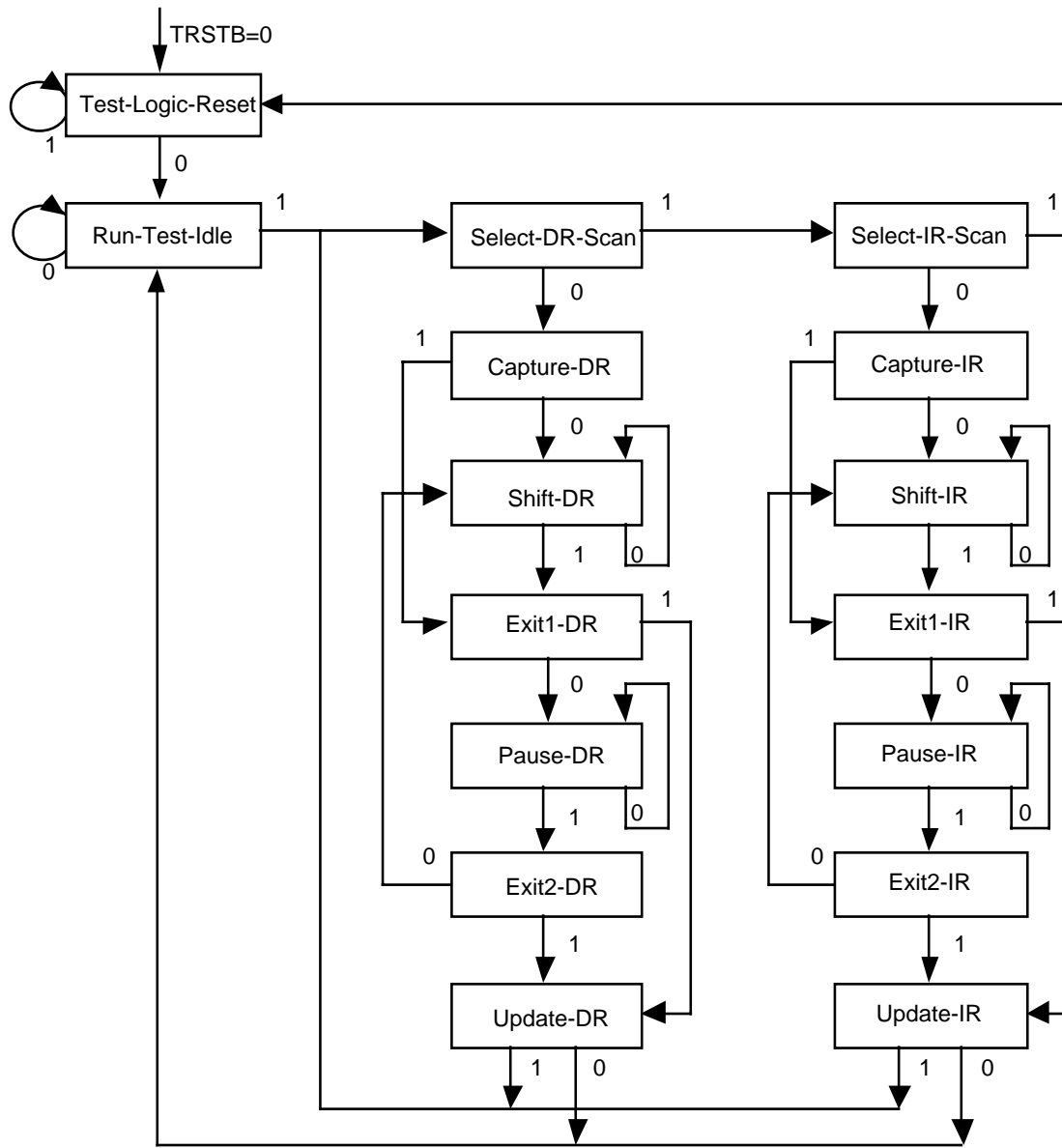
control signals to load the instruction and data registers. The instruction register with instruction decode block is used to select the test to be executed and/or the register to be accessed. The bypass register offers a single-bit delay from primary input TDI to primary output TDO. The device identification register contains the device identification code.

The boundary scan register allows testing of board inter-connectivity. The boundary scan register consists of a shift register placed in series with device inputs and outputs. Using the boundary scan register, all digital inputs can be sampled and shifted out on primary output TDO. In addition, patterns can be shifted in on primary input TDI and forced onto all digital outputs.

TAP Controller

The TAP controller is a synchronous finite state machine clocked by the rising edge of primary input, TCK. All state transitions are controlled using primary TMS. The finite state machine is shown in Figure 30.

Figure 30 - TAP Controller Finite State Machine



All transitions dependent on input TMS

Test-Logic-Reset

The test logic reset state is used to disable the TAP logic when the device is in normal mode operation. The state is entered asynchronously by asserting input, TRSTB. The state is entered synchronously regardless of the current TAP controller state by forcing input, TMS high for 5 TCK clock cycles. While in this state, the instruction register is set to the IDCODE instruction.

Run-Test-Idle

The run test/idle state is used to execute tests.

Capture-DR

The capture data register state is used to load parallel data into the test data registers selected by the current instruction. If the selected register does not allow parallel loads or no loading is required by the current instruction, the test register maintains its value. Loading occurs on the rising edge of TCK.

Shift-DR

The shift data register state is used to shift the selected test data registers by one stage. Shifting is from MSB to LSB and occurs on the rising edge of TCK.

Update-DR

The update data register state is used to load a test register's parallel output latch. In general, the output latches are used to control the device. For example, for the EXTEST instruction, the boundary scan test register's parallel output latches are used to control the device's outputs. The parallel output latches are updated on the falling edge of TCK.

Capture-IR

The capture instruction register state is used to load the instruction register with a fixed instruction. The load occurs on the rising edge of TCK.

Shift-IR

The shift instruction register state is used to shift both the instruction register and the selected test data registers by one stage. Shifting is from MSB to LSB and occurs on the rising edge of TCK.

Update-IR

The update instruction register state is used to load a new instruction into the instruction register. The new instruction must be scanned in using the Shift-IR state. The load occurs on the falling edge of TCK.

The Pause-DR and Pause-IR states are provided to allow shifting through the test data and/or instruction registers to be momentarily paused.

Boundary Scan Instructions

The following is an description of the standard instructions. Each instruction selects an serial test data register path between input TDI and output TDO.

BYPASS

The bypass instruction shifts data from input TDI to output TDO with one TCK clock period delay. The instruction is used to bypass the device.

EXTEST

The external test instruction allows testing of the interconnection to other devices. When the current instruction is the EXTEST instruction, the boundary scan register is placed between TDI and TDO. Primary device inputs can be sampled by loading the boundary scan register using the Capture-DR state. The sampled values can then be viewed by shifting the boundary scan register using the Shift-DR state. Primary device outputs can be controlled by loading patterns shifted in through input TDI into the boundary scan register using the Update-DR state.

SAMPLE

The sample instruction samples all the device inputs and outputs. For this instruction, the boundary scan register is placed between TDI and TDO. Primary device inputs and outputs can be sampled by loading the boundary scan register using the Capture-DR state. The sampled values can then be viewed by shifting the boundary scan register using the Shift-DR state.

IDCODE

The identification instruction is used to connect the identification register between TDI and TDO. The device's identification code can then be shifted out using the Shift-DR state.

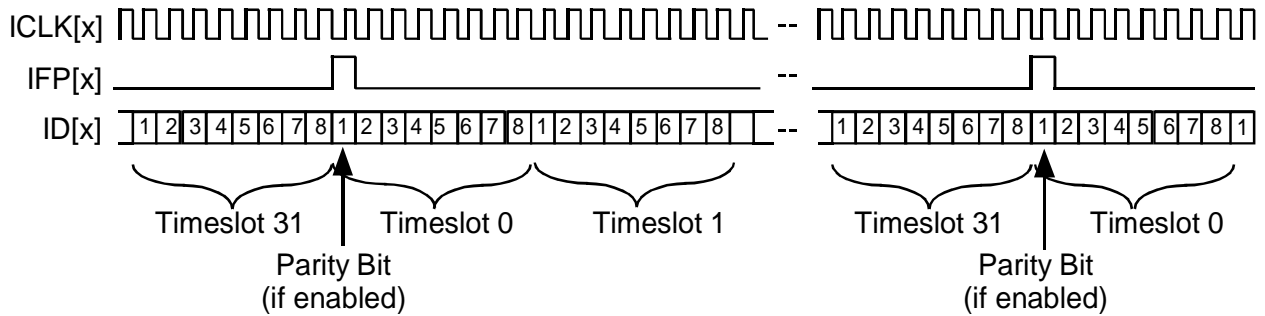
STCTEST

The single transport chain instruction is used to test out the TAP controller and the boundary scan register during production test. When this instruction is the current instruction, the boundary scan register is connected between TDI and TDO. During the Capture-DR state, the device identification code is loaded into the boundary scan register. The code can then be shifted out TDO using the Shift-DR state.

12 FUNCTIONAL TIMING

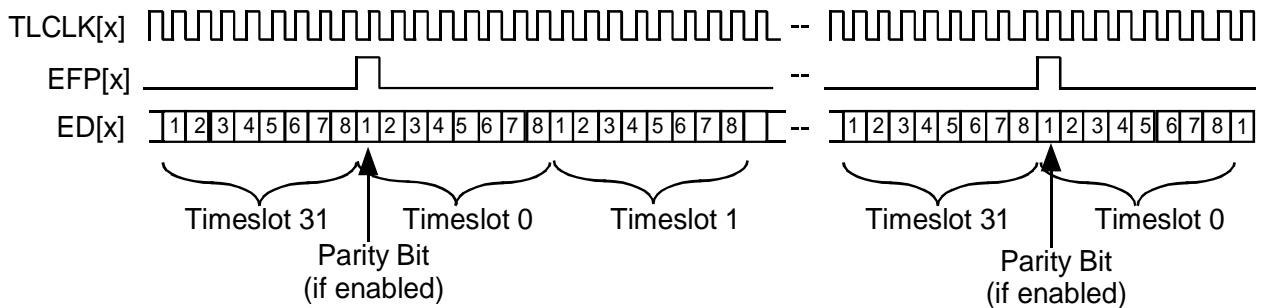
By convention, in the following functional timing diagrams, the first bit transmitted in each timeslot shall be designated bit 1 and the last shall be designated bit 8.

Figure 31 - Ingress Interface Clock Master : Full E1 Mode



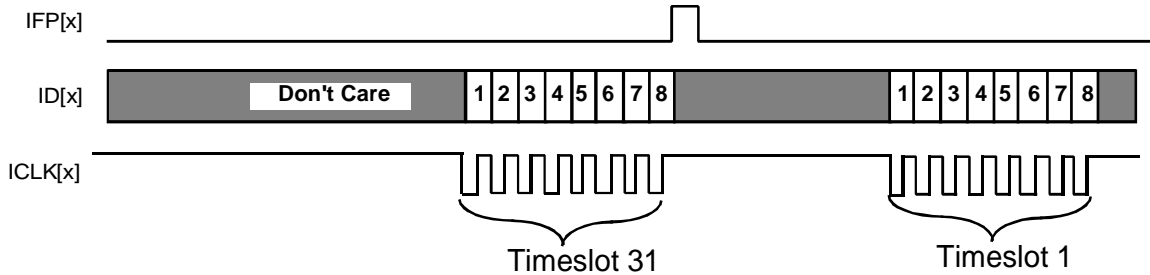
The Receive Backplane Configuration register is programmed to select the Clock Master Full E1 mode. IFP[x] is set high for one ICLK[x] period every frame. The ROHM, BRXSMFP, and BRXCMFP bits can be set to make IFP[x] show the Signaling Multiframe pulse, the CRC Multiframe pulse, a composite Signaling/CRC Multiframe pulse, or all overhead bits.

Figure 32 - Egress Interface Clock Master : Full E1 Mode



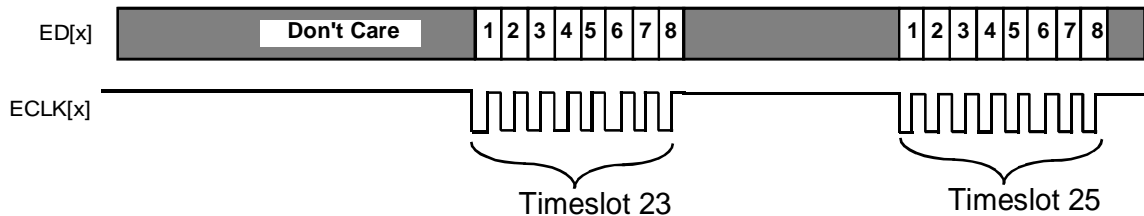
The Transmit Backplane Configuration register is programmed to select the Clock Master Full E1 mode. ED[x] is clocked in on the active edge of the TLCLK[x] output. Frame alignment is indicated to an upstream source by EFP[x], which may be configured to indicate basic frame or composite signaling/CRC multiframe alignment via the ESFP register bit in the Egress Interface Options register.

Figure 33 - Ingress Interface Clock Master : NxTS Mode



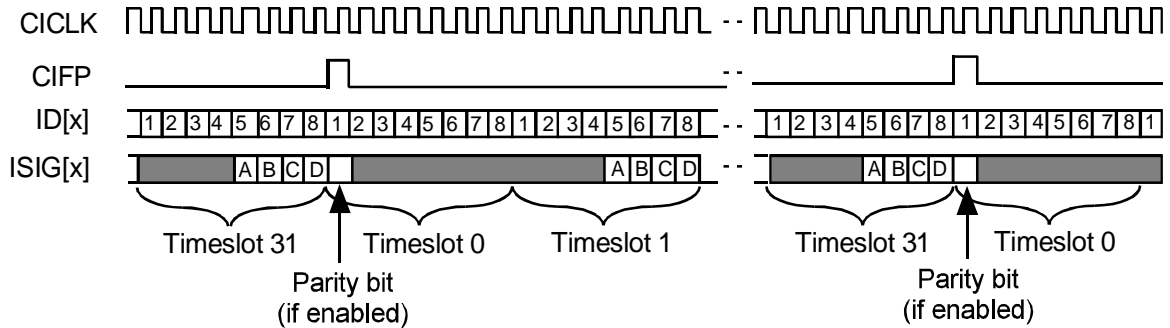
The Receive Backplane Interface Configuration register is programmed to select NxTS Mode. The RPSC Per-Timeslot Configuration DTRKC bits are programmed to extract the desired channels. In this example, timeslots 31 and 1 are extracted. ICLK[x] is gapped so that it is not active for those channels with the associated DTRKC bits set. If the DE bit and FE in the Receive Backplane Interface Configuration register is set, ID[x] and IFP[x], respectively, are updated on the rising edge of ICLK[x] and the functional timing is described by Figure 33 with ICLK[x] inverted.

Figure 34 - Egress Interface Clock Master : NxTS Mode



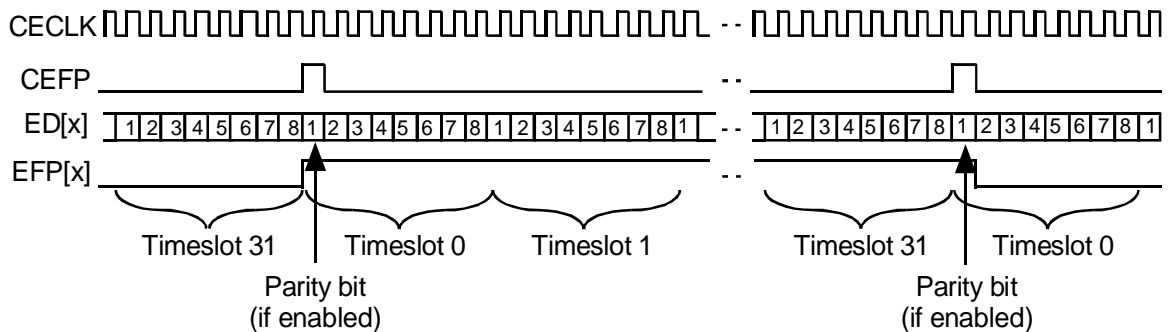
The Transmit Backplane Interface Configuration register is programmed to select NxTS Mode. The TPSC Timeslot Control Byte NxTS_IDLE bits are programmed to insert the desired channels. In this example, the link is configured to only insert data onto timeslots 23 and 25. ECLK[x] is gapped so that it is not active for those channels with the associated NxTS_IDLE bits set. The inactive channels will contain the IDLE code defined for that channel in the TPSC. When the DE bit in the Transmit Backplane Interface Configuration register is set, ED[x] is sampled on the falling edge of ECLK[x] and the functional timing is described by Figure 34 with ECLK[x] inverted.

Figure 35 - Ingress Interface Clock Slave Modes



The Ingress Interface is programmed for Clock Slave mode by setting Receive Backplane Interface Configuration ICLKSLV register bit to logic 1. The External Signaling mode is chosen by setting the ISIG_EN register bit in the Ingress Interface Options register to logic 1. If ISIG_EN is logic 0, ICLK Reference Mode is chosen. ID[x] is timed to the active edge of CICK, and is frame-aligned to CIFP. CIFP need not be provided every frame. ID[x] and ISIG[x] may be configured to carry a parity bit during the first bit of each frame. In External Signaling mode, ISIG[x] is active and is aligned as shown. In ICLK Reference mode, ICLK[x] is active in place of ISIG[x]. ICLK[x] is either a jitter-attenuated line-rate clock referenced to RLCLK[x] or an 8 kHz clock generated by dividing the smoothed RLCLK[x] by 256. Note that jitter-attenuation only occurs if the RJAT is not bypassed.

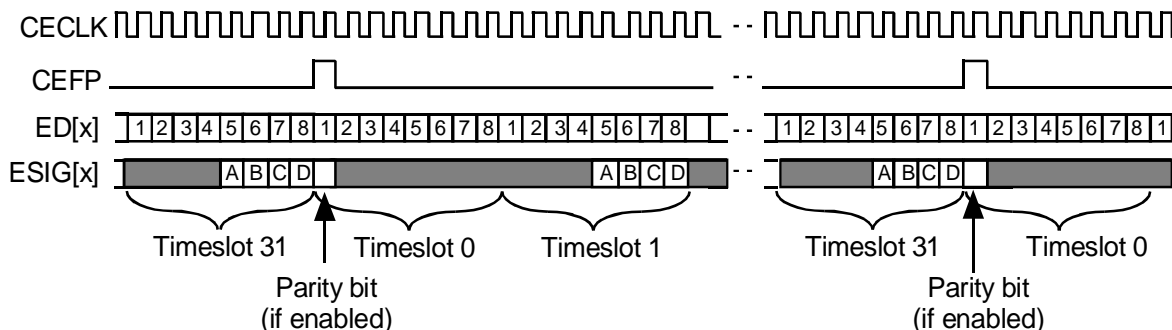
Figure 36 - Egress Interface Clock Slave : EFP Enabled Mode



The Egress Interface is configured for the Clock Slave EFP Enabled mode by setting the ECLKSLV register bit in the Transmit Backplane Interface Configuration register to logic 1 and the ESIG_EN register bit in the Egress Interface Options register to logic 0. EFP[x] may be chosen to indicate alignment of every frame or the composite CRC and Signaling multiframe alignment as shown in Figure 36 by setting the ESFP bit in the Egress Interface Options register. EFP[x] goes high marking the first bit of the Signaling multiframe and goes low following the first bit of

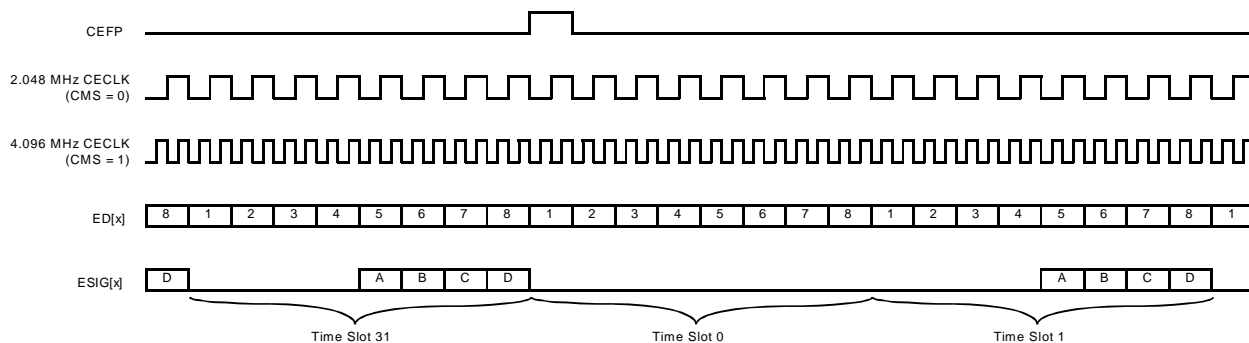
the CRC multiframe. If parity checking is enabled, a parity bit should be inserted on ED[x] in the first bit of each frame. Note that for EFP[x] to be properly aligned, the TSOFF[6:0] and BOFF_EN bits in the Transmit Backplane Bit Offset register must all be set to 0.

Figure 37 - Egress Interface Clock Slave : External Signaling Mode



The Egress Interface is configured for the Clock Slave External Signaling mode by setting the ECLKSLV register bit in the Transmit Backplane Interface Configuration register to logic 1 and the ESIG_EN register bit in the Egress Interface Options register to logic 1. ED[x] is sampled on the active edge of CECLK. Frame alignment is specified by CEFP. ESIG[x] should carry the signaling bits for each channel in bits 5, 6, 7, and 8. These signaling bits will be inserted into the data stream by the E1 TRAN block. If parity checking is enabled, a parity bit should be inserted on ED[x] and ESIG[x] in the first bit of each frame. The parity operates on all bits in the ED[x] and ESIG[x] streams, including the unused bits on ESIG[x].

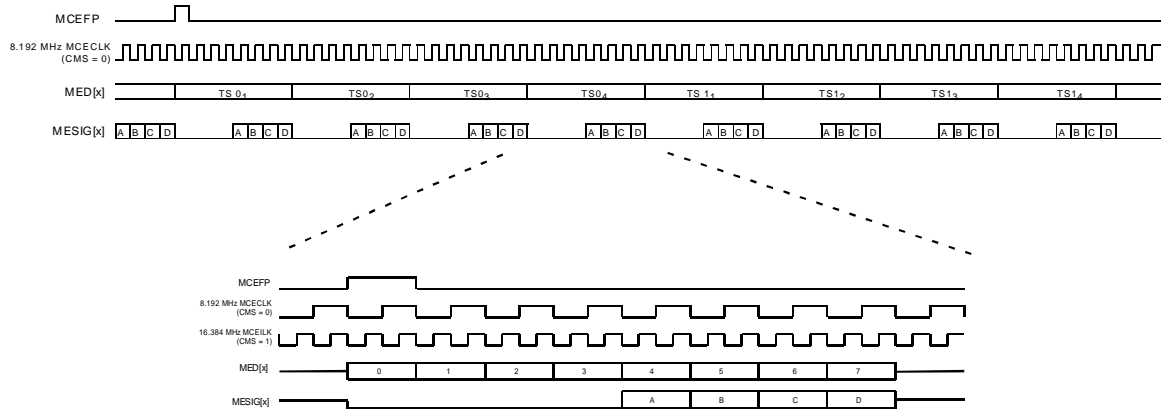
Figure 38 - Non-Multiplexed Transmit Backplane at 2.048/4.096 MHz



A 2.048 Mbit/s backplane is configured by setting the RATE[1:0] bits of the Transmit Backplane Configuration register to 01. In Figure 38, ED[x] and CEFP are configured to be sampled on the rising edge of CECLK by setting the DE and FE bits of the Transmit Backplane Configuration register to a logic 1 and the External Signaling mode is selected.

The TSOFF[6:0], BOFF_EN and BOFF[2:0] register bits are all logic zero; therefore, CEFP is expected to be aligned to the first bit of the frame.

Figure 39 - Multiplexed Transmit Backplane at 8.192 and 16.384 MHz

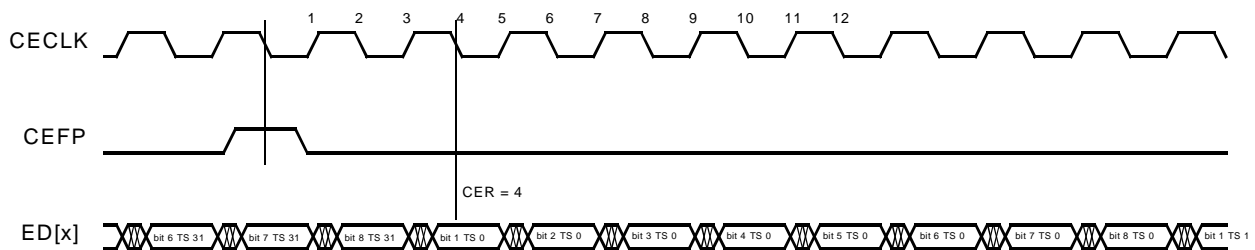


A 8.192 Mbit/s backplane is configured by setting the RATE[1:0] bits of the Transmit Backplane Configuration register to 'b11. In Figure 39, MED[x] and MCEFP are configured to be sampled on the rising edge of MCECLK by setting the DE and FE bits of the Transmit Backplane Configuration register to a logic 1.

Any of the 8 E1 links can be configured to take any of the MED[x] and MESIG[x] timeslots from the bus by configuring the TSOFF[6:0] bits in the Transmit Backplane Timeslot Offset register. If TSOFF[6:0] is set to 'b0000000, the first of the four interleaved bytes is sampled.

Figure 40 - Transmit Concentration Highway Interface

FE = 0, DE = 0, CMS = 0, BOFF = 000, TSOFF = 0000000

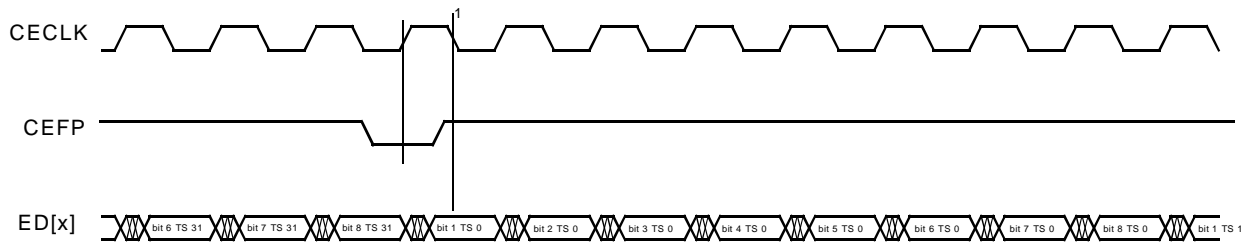


CHI timing is configured by setting the BOFF_EN bit of the Transmit Backplane Bit Offset register to a logic 1. In Figure 40, the DE and FE register bits are set to logic 0 so that ED[x], ESIG[x] and CEFP are sampled on the falling edge of CECLK. CMS is set to logic 0 so that the clock rate is equal to the data rate. BOFF[2:0] is set to 'b000 so that the receive clock edge (CER) is equal to 4 (as

determined by the table in the Transmit Backplane Bit Offset register description of BOFF[2:0]) and ED[x] is sampled 4 clock edges after CEFP is sampled. TSOFF is set to 'b0000000 so that there is no time slot offset.

Figure 41 - Serial Telecom Bus (ST-Bus), Example 1

FE = 1, DE = 0, CMS = 0, FPINV = 1, BOFF_EN = 0, BOFF = 000, TSOFF = 0000000

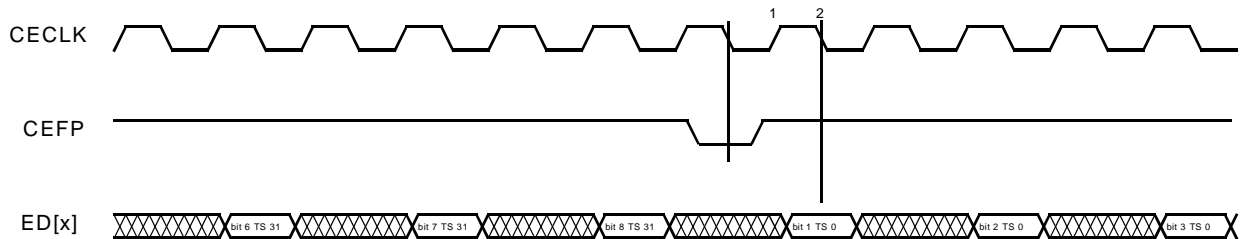


ST-Bus timing is configured by clearing the BOFF_EN bit of the Transmit Backplane Bit Offset register to a logic 0 and setting Transmit Timeslot Offset register to 'b0000000. In Figure 42, the FE register bit is set to logic 1 so that CEFP is sampled on the rising edge of CECLK. The DE register bit is set to logic 0 so that ED[x] is sampled on the falling edge of CECLK. CMS is set to logic 0 so that the clock rate is equal to the data rate. BOFF_EN is set to logic 0 to disable bit offsets. FPINV is set to logic 1 to invert the frame pulse.

When using several octants on a multiplexed ST-Bus at 8.192 MHz clock and data rate, each octant's BTIF must be configured with a different TSOFF in the Transmit Timeslot Offset Register.

Figure 42 - Serial Telecom Bus (ST-Bus), Example 2

FE = 0, DE = 0, CMS = 1, FPINV = 1, BOFF_EN = 1, BOFF = 111, TSOFF = 0011111

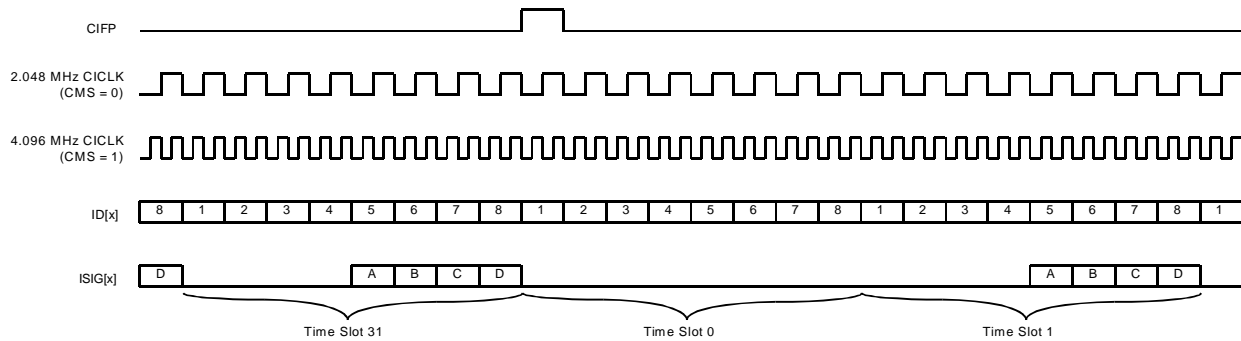


ST-Bus timing at 2.048 MHz data rate and 4.096 MHz clock rate is configured by setting the BOFF_EN bit of the Transmit Backplane Bit Offset to a logic 1, the BOFF bits to 'b111 and the TSOFF bits of the Transmit Backplane Timeslot Offset to 'b0011111. In Figure 43, the DE and FE register bits are set to logic 0 so that ED[x], ESIG[x] and CEFP are sampled on the falling edge of CECLK. CMS is set

to logic 1 so that the clock rate is equal to two times the data rate. FPINV is set to logic 1 to invert the frame pulse.

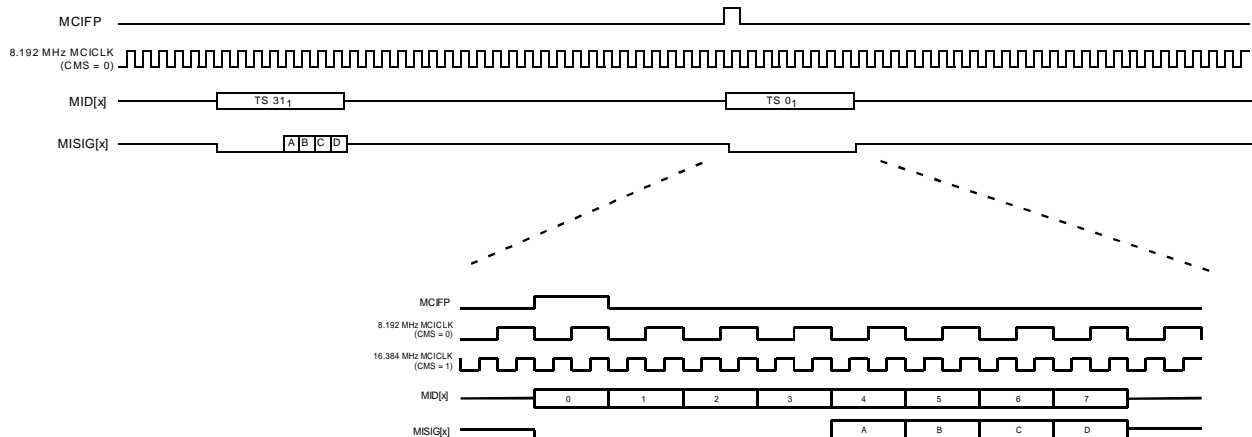
When using several octants on a multiplexed ST-Bus at 8.192 MHz data and a 16.384 clock rate, each octant's BTIF must be configured with a different TSOFF in the Transmit Timeslot Offset Register. To configure an octant to start in timeslot 1 (of the 128 available starting timeslots), TSOFF must be set to 'b1111111. To configure an octant to start in timeslot 2, TSOFF must be set to 'b0000000. This sequence continues for all remaining starting timeslots.

Figure 43 - Non-Multiplexed Receive Backplane at 2.048/4.096 MHz



A 2.048 Mbit/s backplane is configured by setting the RATE[1:0] bits of the Receive Backplane Configuration register to 'b01. In Figure 45, ID[x] and CIFP are configured to be updated on the falling edge of CICKL by setting the DE and FE bits of the Receive Backplane Configuration register to logic 0 and the External Signaling mode is selected. The TSOFF[6:0], BOFF_EN and BOFF[2:0] register bits are all logic zero; therefore, CIFP is expected to be aligned to the first bit of the frame.

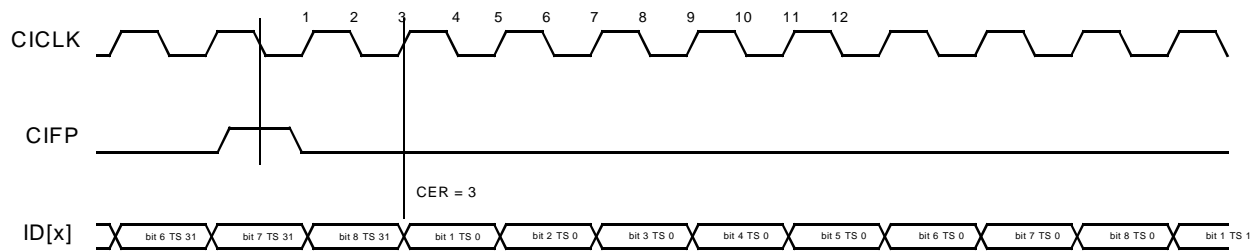
Figure 44 - Multiplexed Receive Backplane at 8.192 and 16.384 MHz



An 8.192 Mbit/s multiplexed backplane is configured by setting all the RATE[1:0] bits of the Receive Backplane Configuration registers to 'b11. In Figure 44, MID[x] and MCIFP are configured to be updated on the falling edge of MCICLK by setting the DE and FE bits of the Receive Backplane Configuration register to logic 0. TSOFF[6:0] is set to 'b0000000 so that the first of the four interleaved bytes is sampled. In this example, only one link is enabled to be output on the bus by setting MIBUS_OUTEN to logic 1 in the Ingress Interface Options register. The MID[x] and MISIG[x] outputs are tri-stated during the other timeslots.

Figure 45 - Receive Concentration Highway Interface

FE = 0, DE = 1, CMS = 0, BOFF = 000, TSOFF = 0000000



CHI timing is configured by setting the BOFF_EN bit of the Receive Backplane Configuration register to a logic 1. In Figure 45, FE is set to logic 0 so that CIFP is sampled on the rising edge of CICK. DE is set to logic 1 so that ID[x] is updated on the rising edge of CICK. CMS is set to logic 0 so that the clock rate is equal to the data rate. BOFF[2:0] is set to 'b000 so that the transmit clock edge (CET) is equal to 3 (as determined by the table in the register description of BOFF[2:0]) and ID[x] is updated 3 clock edges after CIFP is sampled. TSOFF is set to 'b0000000 so that there is no time slot offset.

13 ABSOLUTE MAXIMUM RATINGS

Absolute maximum ratings are the worst case limits that the device can withstand without sustaining permanent damage. They are not indicative of normal operating conditions.

Table 47 - EOCTL Absolute Maximum Ratings

Ambient Temperature under Bias	-55°C to +125°C
Storage Temperature	-65°C to +150°C
Voltage on VDD with Respect to GND	-0.3V to 4.6V
Voltage on BIAS with respect to GND	VDD - 0.3V to 5.5V
Voltage on Any Pin	-0.3V to BIAS + 0.3V
Static Discharge Voltage	±1000 V
Latchup current on any pin	±100 mA
Maximum DC current on any pin	±20 mA
Maximum Lead Temperature	+230 °C
Maximum Junction Temperature	+150 °C

14 D.C. CHARACTERISTICS

TA= -40° to +85°C, VDD=3.3V ±10%, VDD ≤ BIAS ≤ 5.5V

Table 48 - EOCTL D.C. Characteristics

Symbol	Parameter	Min	Typ	Max	Units	Conditions
PHA, PHD	Power Supply	2.97	3.3	3.63	Volts	
BIAS	5V Tolerant Bias	VDD	5.0	5.5	Volts	
I _{BIAS}	Current into 5V Bias		6.0		µA	V _{BIAS} = 5.5V
V _{IL}	Input Low Voltage	0		0.8	Volts	Guaranteed Input LOW Voltage
V _{IH}	Input High Voltage	2.0		BIAS	Volts	Guaranteed Input HIGH Voltage
V _{OL}	Output or Bidirectional Low Voltage		0.25	0.4	Volts	V _{DD} = min, I _{OL} = -3 mA for high drive outputs ⁴ and -2 mA for others ³
V _{OH}	Output or Bidirectional High Voltage	2.4			Volts	V _{DD} = min, I _{OL} = 3 mA for high drive outputs ⁴ and 2 mA for others ³
V _{T+}	Reset Input High Voltage	2.0			Volts	
V _{T-}	Reset Input Low Voltage			0.8	Volts	
V _{TH}	Reset Input Hysteresis Voltage		0.5		Volts	
I _{ILPU}	Input Low Current ^{1,3}	-100	-60	-10	µA	V _{IL} = GND
I _{IL}	Input Low Current ^{2,3}	-10	0	+10	µA	V _{IL} = GND

Symbol	Parameter	Min	Typ	Max	Units	Conditions
I _{IH}	Input High Current ^{2,3}	-10	0	+10	μA	V _{IH} = V _{BIAS}
I _{DDOP1}	Operating Current		125	300	mA	V _{DD} = 3.63 V, Outputs Unloaded, XCLK = 49.152 MHz Backplane Rate = 2.048 MHz Typical parameter value includes setting of V52DIS bit.
I _{DDOP2}	Operating Current		145	300	mA	V _{DD} = 3.63 V, Outputs Unloaded, XCLK = 49.152 MHz Backplane Rate = 8.192 MHz Typical parameter value includes setting of V52DIS.

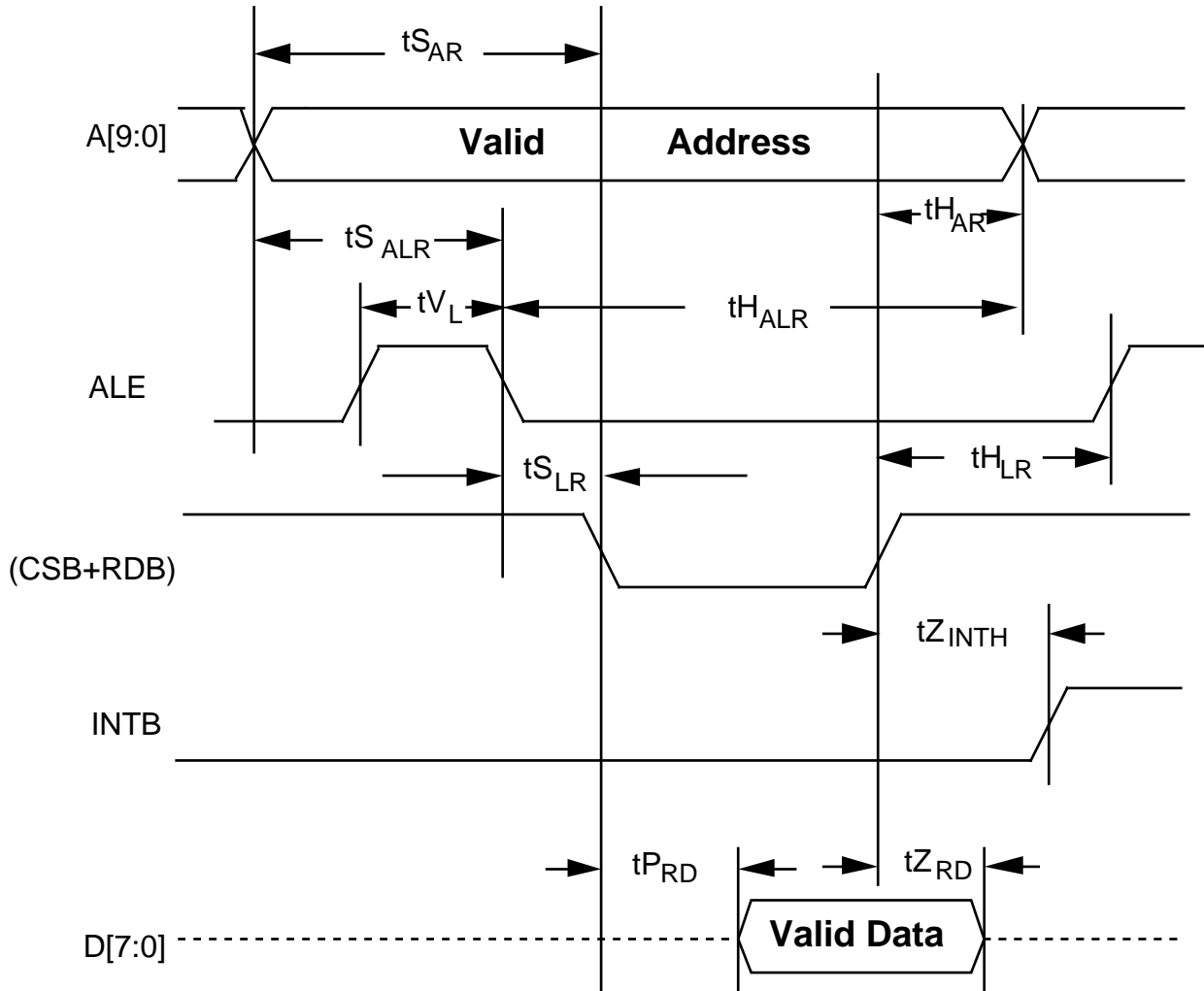
Notes on D.C. Characteristics:

1. Input pin or bidirectional pin with internal pull-up resistors.
2. Input pin or bidirectional pin without internal pull-up resistors
3. Negative currents flow into the device (sinking), positive currents flow out of the device (sourcing).
4. D[7:0], TLCLK[1:8], ISIG/ICLK[1:8], ESIG/ECLK/EFP[1:8].

15 MICROPROCESSOR INTERFACE TIMING CHARACTERISTICS**TA= -40° to +85°C, VDD=3.3V ±10%****Microprocessor Read Access (Figure 46)**

Symbol	Parameter	Min	Max	Units
t _{SAR}	Address to Valid Read Set-up Time	10		ns
t _{HAR}	Address to Valid Read Hold Time	5		ns
t _{SALR}	Address to Latch Set-up Time	10		ns
t _{HALR}	Address to Latch Hold Time	10		ns
t _{VL}	Valid Latch Pulse Width	20		ns
t _{SLR}	Latch to Read Set-up	0		ns
t _{HLR}	Latch to Read Hold	5		ns
t _{PRD}	Valid Read to Valid Data Propagation Delay		80	ns
t _{ZRD}	Valid Read Negated to Output Tri-state		20	ns
t _{ZINTH}	Valid Read Negated to INTB high		50	ns

Figure 46 - Microprocessor Read Access Timing



Notes on Microprocessor Read Timing:

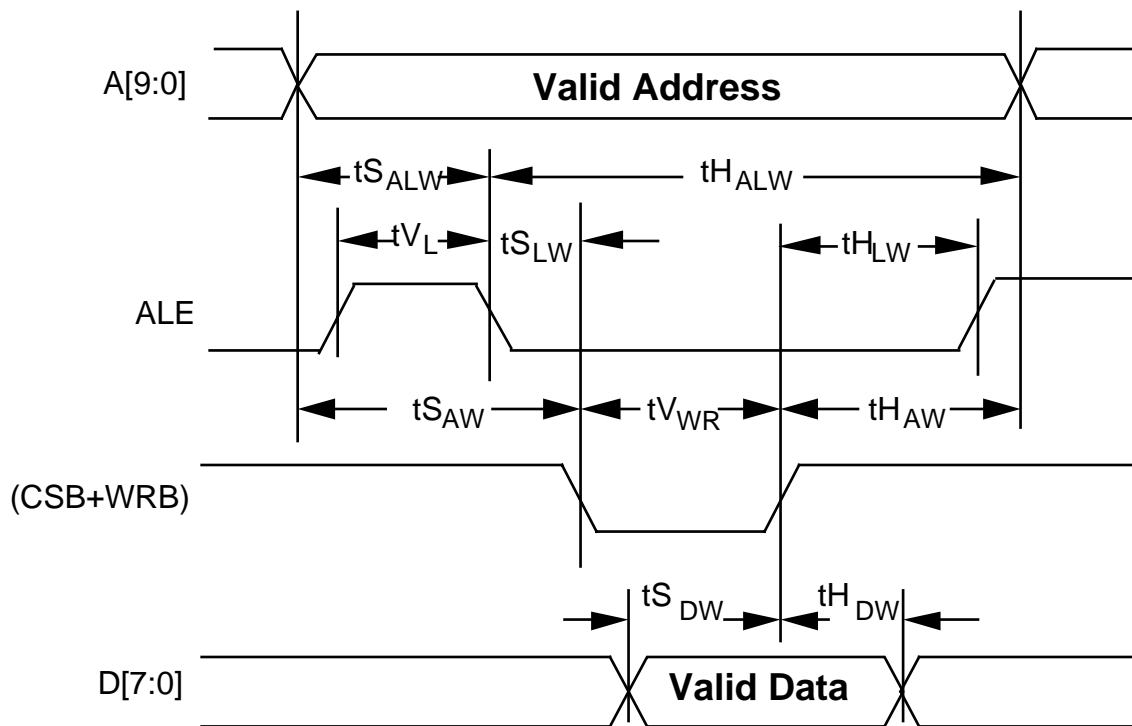
1. Output propagation delay time is the time in nanoseconds from the 1.4 Volt point of the reference signal to the 1.4 Volt point of the output.
2. Maximum output propagation delays are measured with a 50 pF load on the Microprocessor Interface data bus, (D[7:0]).
3. A valid read cycle is defined as a logical OR of the CSB and the RDB signals.
4. Microprocessor Interface timing applies to normal mode register accesses only.
5. When a set-up time is specified between an input and a clock, the set-up time is the time in nanoseconds from the 1.4 Volt point of the input to the 1.4 Volt point of the clock.

6. When a hold time is specified between an input and a clock, the hold time is the time in nanoseconds from the 1.4 Volt point of the clock to the 1.4 Volt point of the input.
7. In non-multiplexed address/data bus architectures ALE can be held high; parameters $t_{S_{ALR}}$, $t_{H_{ALR}}$, t_{V_L} , and $t_{S_{LR}}$, $t_{H_{LR}}$ are not applicable.
8. Parameter $t_{H_{AR}}$ is not applicable when address latching is used.

Microprocessor Write Access (Figure 47)

Symbol	Parameter	Min	Max	Units
tSAW	Address to Valid Write Set-up Time	10		ns
tSDW	Data to Valid Write Set-up Time	20		ns
tSALW	Address to Latch Set-up Time	10		ns
tHALW	Address to Latch Hold Time	10		ns
tVL	Valid Latch Pulse Width	20		ns
tSLW	Latch to Write Set-up	0		ns
tHLW	Latch to Write Hold	5		ns
tHDW	Data to Valid Write Hold Time	5		ns
tHAW	Address to Valid Write Hold Time	5		ns
tVWR	Valid Write Pulse Width	40		ns

Figure 47 - Microprocessor Write Access Timing



Notes on Microprocessor Interface Write Timing:

1. A valid write cycle is defined as a logical OR of the CSB and the WRB signals.
2. Microprocessor Interface timing applies to normal mode register accesses only.
3. In non-multiplexed address/data bus architectures, ALE can be held high, parameters $t_{S_{ALW}}$, $t_{H_{ALW}}$, t_{V_L} , and $t_{S_{LW}}$, $t_{H_{LW}}$ are not applicable.
4. Parameters $t_{H_{AW}}$ and $t_{S_{AW}}$ are not applicable if address latching is used.
5. Output propagation delay time is the time in nanoseconds from the 1.4 Volt point of the reference signal to the 1.4 Volt point of the output.
6. When a set-up time is specified between an input and a clock, the set-up time is the time in nanoseconds from the 1.4 Volt point of the input to the 1.4 Volt point of the clock.
7. When a hold time is specified between an input and a clock, the hold time is the time in nanoseconds from the 1.4 Volt point of the clock to the 1.4 Volt point of the input.

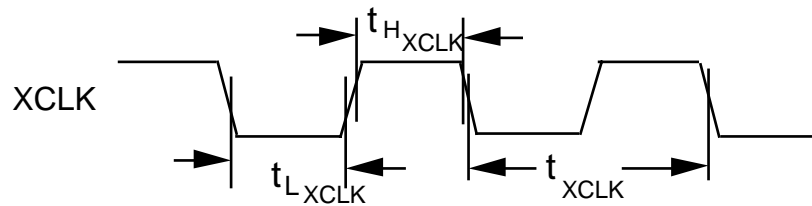
16 EOCTL I/O TIMING CHARACTERISTICS

TA= -40° to +85°C, VDD=3.3V ±10%

XCLK=49.152 MHz Input (Figure 48)

Symbol	Description	Min	Max	Units
t _{LXCLK}	XCLK Low Pulse Width ⁴	8		ns
t _{HXCLK}	XCLK High Pulse Width ⁴	8		ns
t _{XCLK}	XCLK Period (typically 1/49.152 MHz) ⁵	20		ns

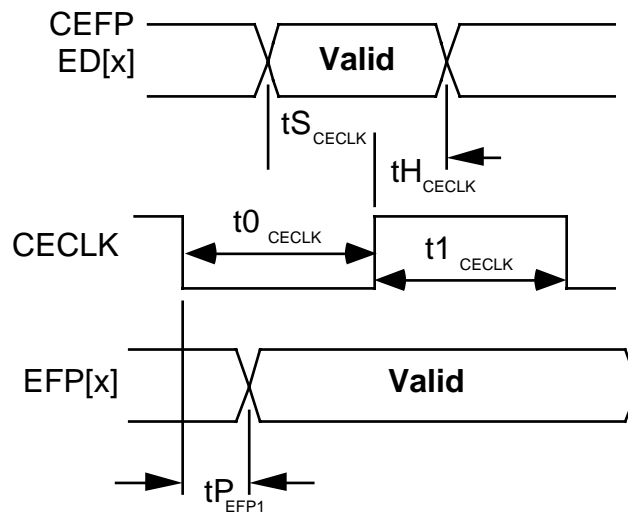
Figure 48 - High Speed Clock Timing



Egress Interface Timing - Clock Slave: EFP Enabled Mode (Figure 49)

Symbol	Description	Min	Max	Units
tCECLK	Common Egress Clock Frequency ^{1,2} (Typically 2.048 MHz ± 50 ppm)	2.0	2.1	MHz
t1CECLK	Common Egress High Pulse Width ⁴	145		ns
t0CECLK	Common Egress Low Pulse Width ⁴	145		ns
tSCECLK	CECLK to Input Set-up Time ^{7,9}	20		ns
tHCECLK	CECLK to Input Hold Time ^{8,9}	20		ns
tPEFP1	CECLK to EFP[x] Propagation delay ^{9,10,11}		30	ns

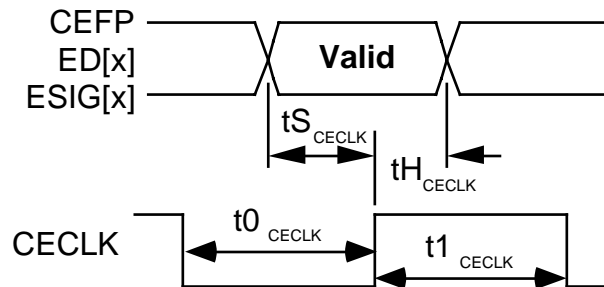
Figure 49 - Egress Interface Timing - Clock Slave: EFP Enabled Mode



Egress Interface Timing - Clock Slave: External Signaling (Figure 50)

Symbol	Description	Min	Max	Units
tCECLK	Common Egress Clock Frequency ^{1,2} (Typically 2.048 MHz ± 50 ppm)	2.0	2.1	MHz
t1CECLK	Common Egress High Pulse Width ⁴	145		ns
t0CECLK	Common Egress Low Pulse Width ⁴	145		ns
tSCECLK	CECLK to Input Set-up Time ^{7,9}	20		ns
tHCECLK	CECLK to Input Hold Time ^{8,9}	20		ns

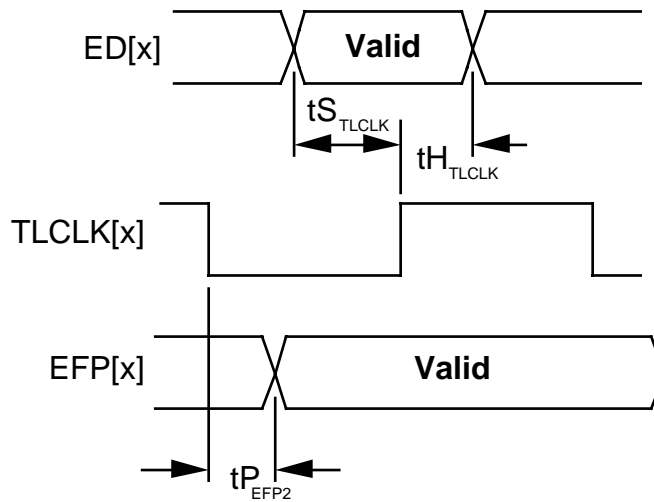
Figure 50 - Egress Interface Timing - Clock Slave: External Signaling Mode



Egress Interface Timing - Clock Master: Full E1 Mode (Figure 51)

Symbol	Description	Min	Max	Units
tSTLCLK	TLCLK[x] to ED[x] Set-up Time ^{7,9}	20		ns
tHTLCLK	TLCLK[x] to ED[x] Hold Time ^{8,9}	20		ns
tPEFP2	TLCLK[x] to EFP[x] Propagation delay ^{9,10,11}	-20	20	ns

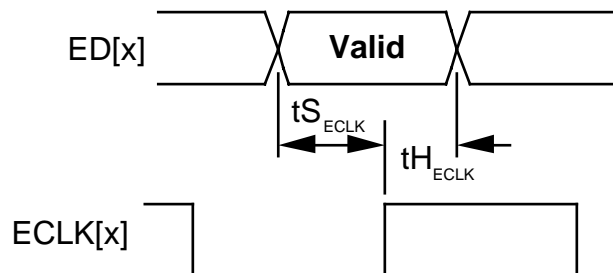
Figure 51 - Egress Interface Timing - Clock Master: Full E1 Mode



Egress Interface Input Timing - Clock Master : NxTS Mode (Figure 52)

Symbol	Description	Min	Max	Units
tSECLK	ECLK[x] to ED[x] Set-up Time ^{7,9}	20		ns
tHECLK	ECLK[x] to ED[x] Hold Time ^{8,9}	20		ns

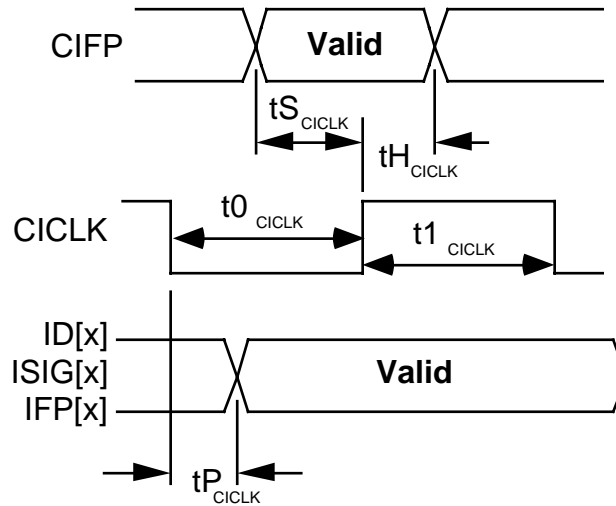
Figure 52 - Egress Interface Input Timing - Clock Master : NxTS Mode



Ingress Interface Timing - Clock Slave Modes (Figure 53)

Symbol	Description	Min	Max	Units
tCICLK	Common Ingress Clock Frequency ^{1,2} (Typically 2.048 MHz ± 50 ppm)	2.0	2.1	MHz
t1CICLK	Common Ingress High Pulse Width ⁴	145		ns
t0CICLK	Common Ingress Low Pulse Width ⁴	145		ns
tSCICLK	CICLK to CIFP Set-up Time ^{7,9}	20		ns
tHCICLK	CICLK to CIFP Hold Time ^{8,9}	20		ns
tPCICLK	CICLK to Ingress Output Prop. Delay ^{9,10,11}		25	ns

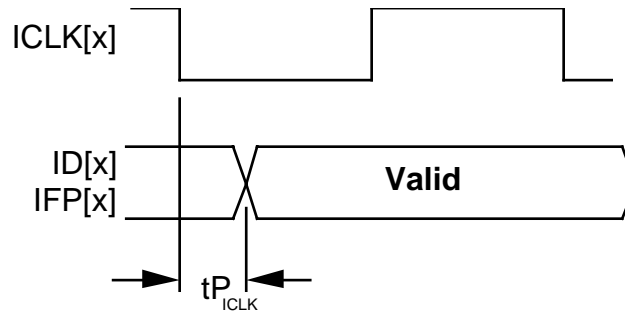
Figure 53 - Ingress Interface Timing - Clock Slave Modes



Ingress Interface Timing - Clock Master Modes (Figure 54)

Symbol	Description	Min	Max	Units
tP _{ICLK}	ICLK[x] to Ingress Output Prop. Delay ^{9,10,11}	-20	25	ns

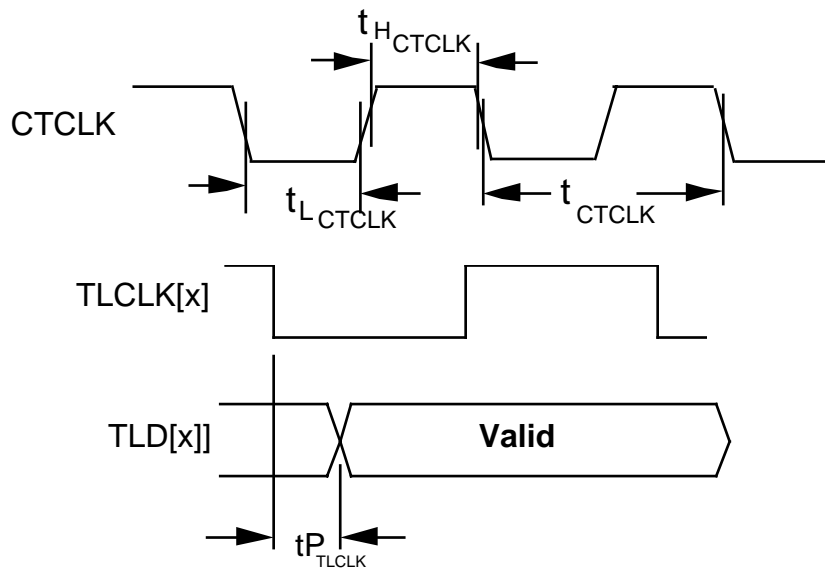
Figure 54 - Ingress Interface Timing - Clock Master Modes



Transmit Line Interface Timing (Figure 55)

Symbol	Description	Min	Max	Units
t_{CTCLK}	CTCLK Frequency (when used for TJAT REF), typically 2.048 MHz \pm 50 ppm ^{2,6}	2.0	2.1	MHz
t_{HCTCLK}	CTCLK High Duration ⁴ (when used for TJAT REF)	100		ns
t_{LCTCLK}	CTCLK Low Duration ⁴ (when used for TJAT REF)	100		ns
t_{PTLCLK}	TLCLK[x] to TLD[x] Output Prop. Delay ^{9,10,11}	-20	20	ns

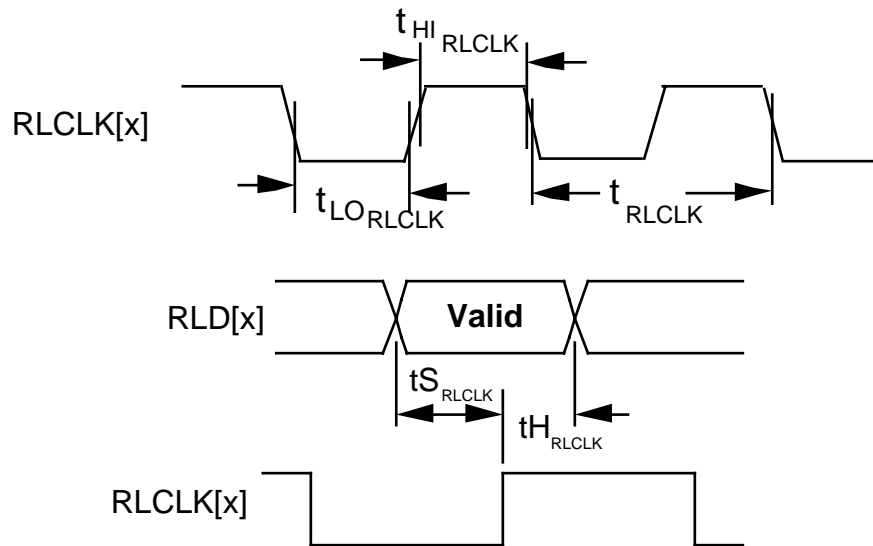
Figure 55 - Transmit Line Interface Timing



Receive Line Interface Timing (Figure 56)

Symbol	Description	Min	Max	Units
t_{RLCLK}	RLCLK[x] Frequency, typically 2.048 MHz \pm 50 ppm ^{2,6}	2.0	2.1	MHz
$t_{HIRLCLK}$	RLCLK[x] High Duration ⁴	100		ns
$t_{LORLCLK}$	RLCLK[x] Low Duration ⁴	100		ns
t_{SRLCLK}	RLCLK[x] to RLD[x] Set-up Time ^{7,9}	20		ns
t_{HRLCLK}	RLCLK[x] to RLD[x] Hold Time ^{8,9}	20		ns

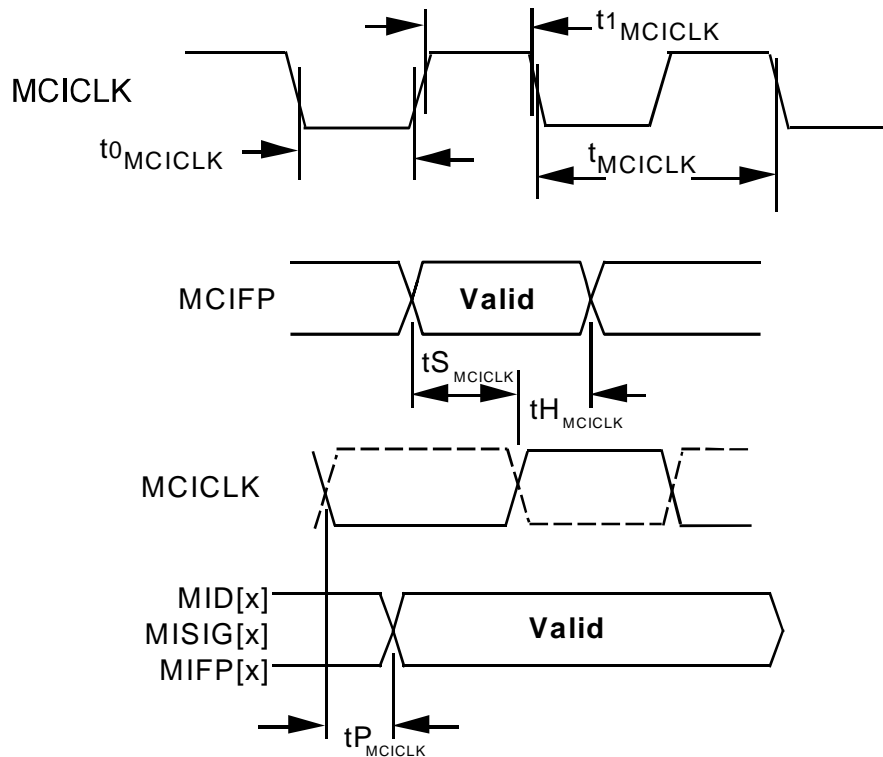
Figure 56 - Receive Line Interface Input Timing



Multiplex Ingress Interface Interface Timing (Figure 57)

Symbol	Description	Min	Max	Units
t_{MCICLK}	MICLK Frequency, typically 8.192 MHz ^{2,6}	8.0	8.4	MHz
$t_{1MCICLK}$	MCICLK High Duration ⁴	40		ns
$t_{0MCICLK}$	MCICLK Low Duration ⁴	40		ns
$t_{SMCICLK}$	MCIIFP to MCICLK Set-up Time ^{7,9}	5		ns
$t_{HMCICLK}$	MCIFP to MCICLK Hold Time ^{8,9}	5		ns
$t_{PMCICLK}$	MCICLK to MIFP[x], MID[x], and MISIG[x] Propagation Time ^{9,10,11}		25	ns

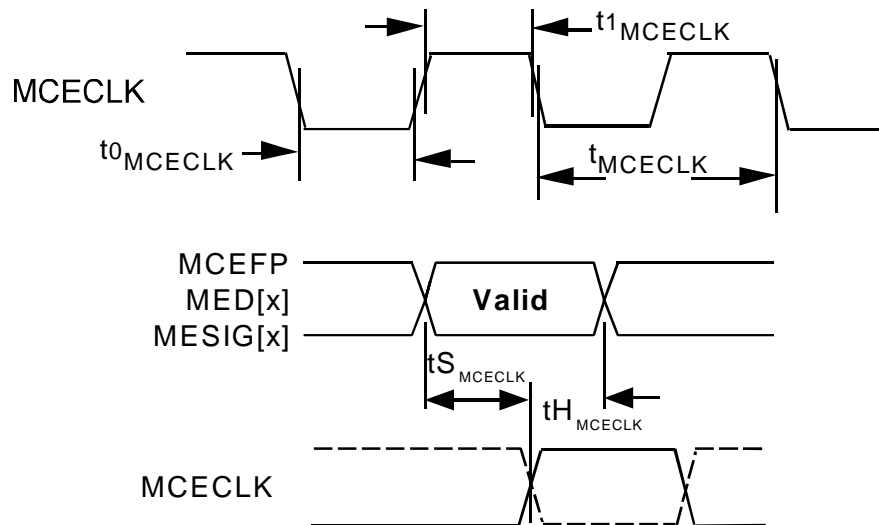
Figure 57 - Multiplexed Ingress Interface Timing



Multiplex Egress Interface Interface Timing (Figure 58)

Symbol	Description	Min	Max	Units
t_{MCECLK}	MCECLK Frequency, typically 8.192 MHz ^{2,6}	8.0	8.4	MHz
$t_{1MCECLK}$	MCECLK High Duration ⁴	40		ns
$t_{0MCECLK}$	MCECLK Low Duration ⁴	40		ns
$t_{SMCECLK}$	MCEFP, MED[x], MESIG[x] to MCECLK Set-up Time ^{7,9}	5		ns
$t_{HMCECLK}$	MCEFP, MED[x], MESIG[x] to MCECLK Hold Time ^{8,9}	5		ns

Figure 58 - Multiplexed Egress Interface Timing

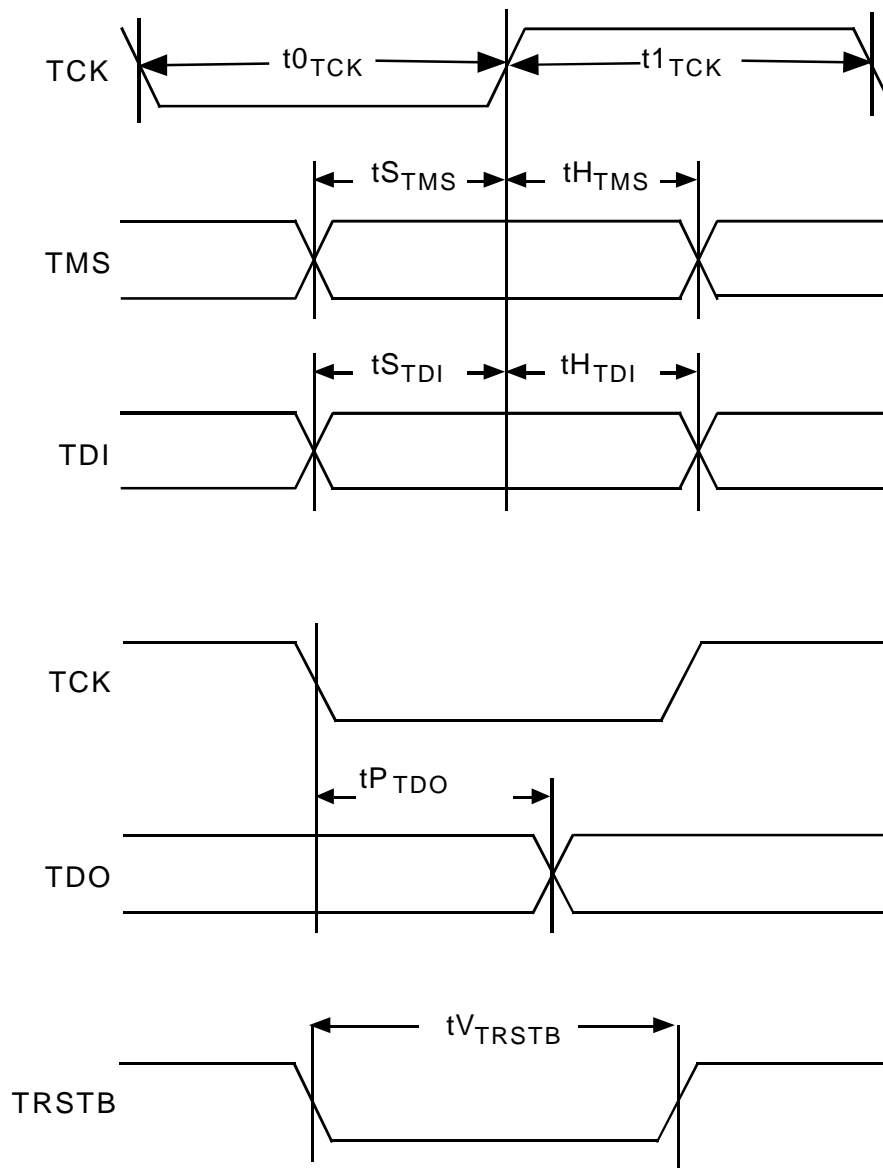


JTAG Interface Timing (Figure 59)

Symbol	Description	Min	Max	Units
t_{1TCK}	TCK high pulse width ⁵	100		ns
t_{0TCK}	TCK low pulse width ⁵	100		ns
t_{STMS} , t_{STDI}	TMS and TDI Set-up time to TCK ¹	50		ns

Symbol	Description	Min	Max	Units
TH_{TMS} , TH_{TDI}	TMS and TDI Hold time to TCK ²	50		ns
TP_{TDO}	TCK Low to TDO Valid ^{6,7}	2	50	ns
TV_{TRSTB}	TRSTB minimum pulse width ⁵	100		ns

Figure 59 - JTAG Port Interface Timing



Notes on AC Timing:

1. CECLK and CICK can be gapped and/or jittered clock signals subject to the minimum high and low times shown. These specifications correspond to nominal XCLK input frequencies.
2. Guaranteed by design for nominal XCLK input frequency (49.152 MHz \pm 50 ppm).
3. CTCLK can be a jittered clock signal subject to the minimum high and low times shown. These specifications correspond to nominal XCLK input frequency of 49.152 MHz \pm 50 ppm.
4. High pulse width is measured from the 1.4 Volt points of the rise and fall ramps. Low pulse width is measured from the 1.4 Volt points of the fall and rise ramps.
5. XCLK accuracy is \pm 100 ppm.
6. CTCLK[x] can be a jittered clock signal subject to the minimum high and low durations tHCTCLK, tLCTCLK. These durations correspond to nominal XCLK input frequency.
7. When a set-up time is specified between an input and a clock, the set-up time is the time in nanoseconds from the 1.4 Volt point of the input to the 1.4 Volt point of the clock.
8. When a hold time is specified between an input and a clock, the hold time is the time in nanoseconds from the 1.4 Volt point of the clock to the 1.4 Volt point of the input.
9. Setup, hold, and propagation delay specifications are shown relative to the default active clock edge, but are equally valid when the opposite edge is selected as the active edge.
10. Output propagation delay time is the time in nanoseconds from the 1.4 Volt point of the reference signal to the 1.4 Volt point of the output.
11. Output propagation delays are measured with a 50 pF load on all outputs.

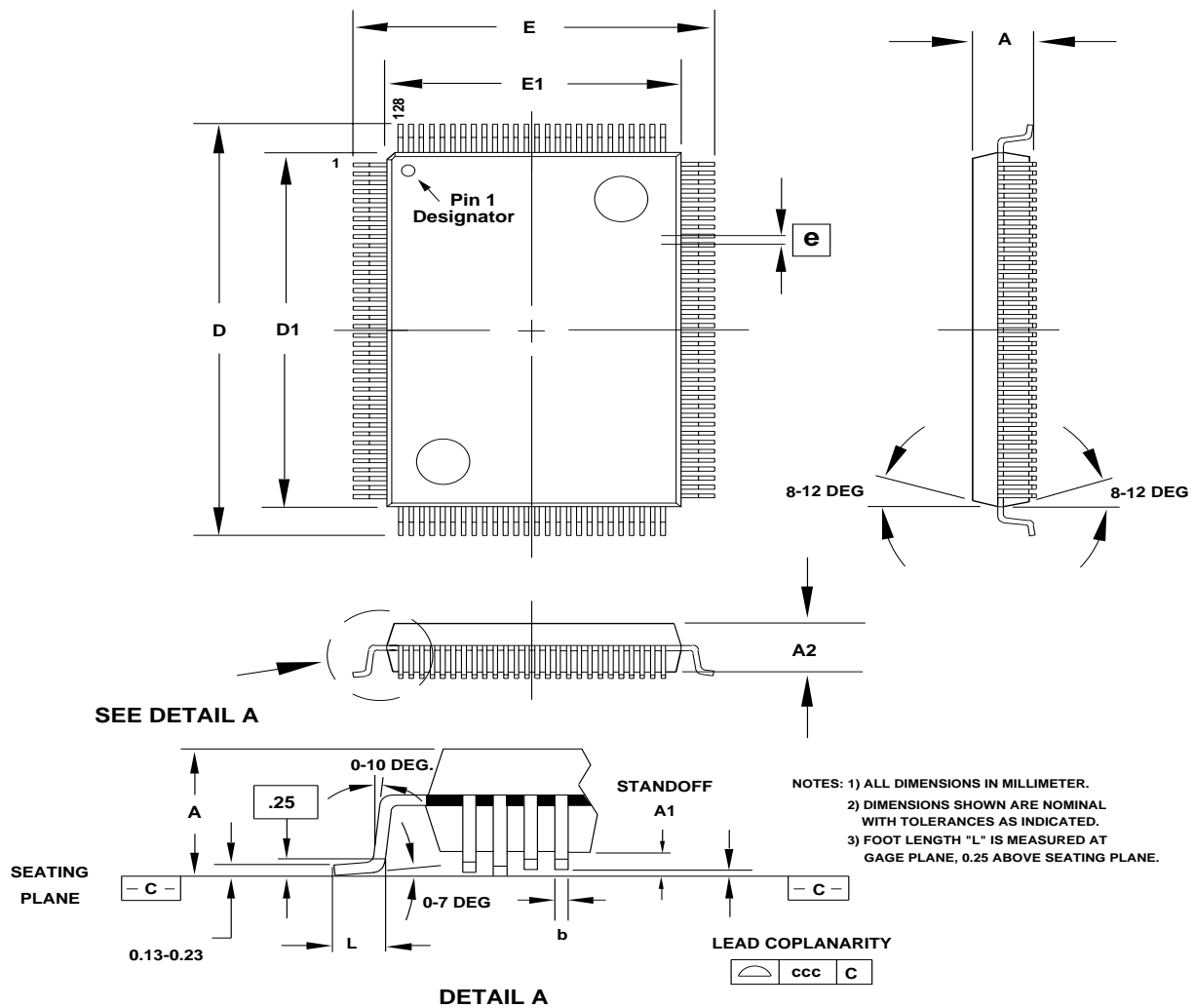
17 ORDERING AND THERMAL INFORMATION

PART NO.	DESCRIPTION
PM6388-RI	128 Plastic Quad Flat Pack (PQFP)

PART NO.	AMBIENT TEMPERATURE	Theta Ja	Theta Jc
PM6388-RI	-40°C to 85°C	47 °C/W	14 °C/W

18 MECHANICAL INFORMATION

Figure 60 - 128 Pin Copper Leadframe Plastic Quad Flat Pack (R Suffix)



PACKAGE TYPE: 128 PIN METRIC RECTANGULAR PLASTIC QUAD FLATPACK-MQFP											
BODY SIZE: 14 x 20 x 2.7 MM											
Dim.	A	A1	A2	D	D1	E	E1	L	e	b	ccc
Min.	2.82	0.25	2.57	22.95	19.90	16.95	13.90	0.73		0.17	
Nom.			2.70	23.20	20.00	17.20	14.00	0.88	0.50	0.22	
Max.	3.40	0.53	2.87	23.45	20.10	17.45	14.10	1.03		0.27	0.10

NOTES

NOTES

CONTACTING PMC-SIERRA, INC.

PMC-Sierra, Inc.
105-8555 Baxter Place Burnaby, BC
Canada V5A 4V7

Tel: (604) 415-6000

Fax: (604) 415-6200

Document Information: document@pmc-sierra.com
Corporate Information: info@pmc-sierra.com
Application Information: apps@pmc-sierra.com
Web Site: <http://www.pmc->

None of the information contained in this document constitutes an express or implied warranty by PMC-Sierra, Inc. as to the sufficiency, fitness or suitability for a particular purpose of any such information or the fitness, or suitability for a particular purpose, merchantability, performance, compatibility with other parts or systems, of any of the products of PMC-Sierra, Inc., or any portion thereof, referred to in this document. PMC-Sierra, Inc. expressly disclaims all representations and warranties of any kind regarding the contents or use of the information, including, but not limited to, express and implied warranties of accuracy, completeness, merchantability, fitness for a particular use, or non-infringement.

In no event will PMC-Sierra, Inc. be liable for any direct, indirect, special, incidental or consequential damages, including, but not limited to, lost profits, lost business or lost data resulting from any use of or reliance upon the information, whether or not PMC-Sierra, Inc. has been advised of the possibility of such damage.

© 2000 PMC-Sierra, Inc.

PMC-1971019 (R6) ref PMC-1971007(R6) Issue date: February 2000