

# AN5372S

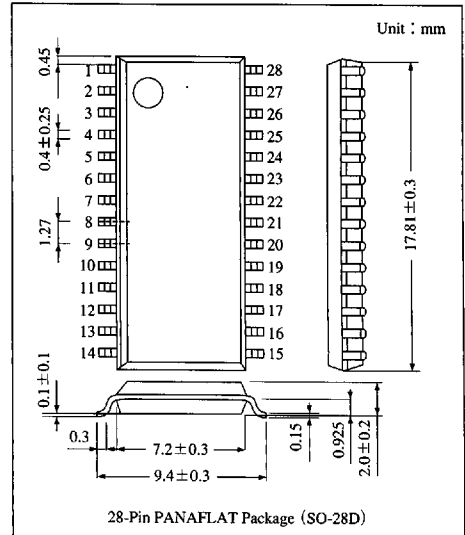
## IC for Liquid Crystal Color TV

### Overview

The AN5372S can respond to both PAL and NTSC method by system switching, and contains the synchronous separation circuit in consideration of the liquid crystal color TV system and reduces the power consumption to 1/2 as compared with the conventional type.

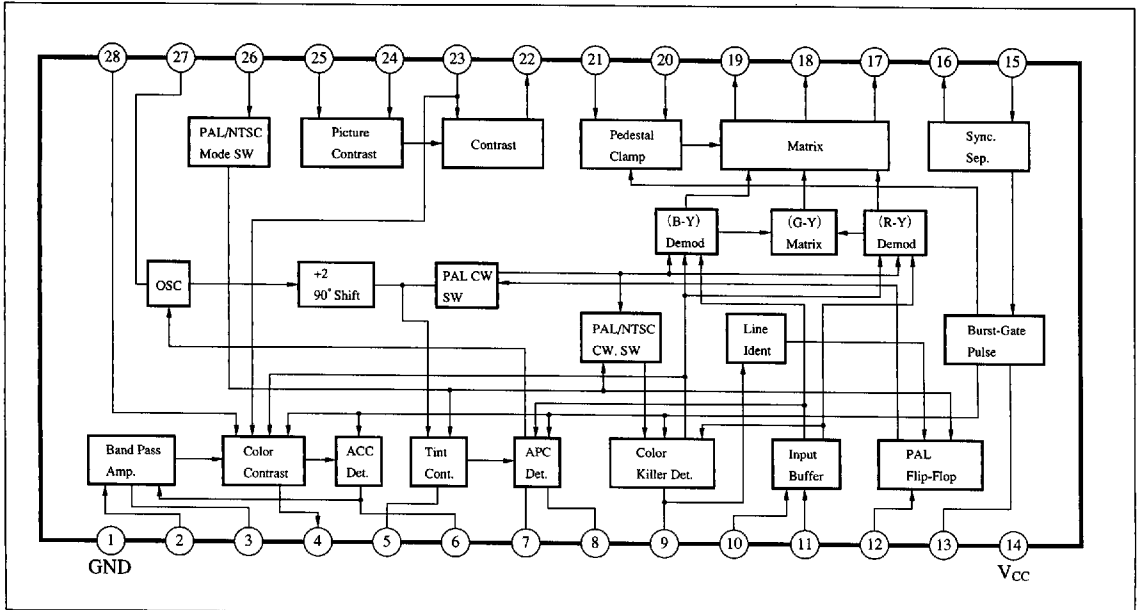
### Features

- The synchronous signal separation circuit and video/chroma signal processing circuit are integrated on single chip.
- The chroma signal processing circuit can respond to both of the PAL and NTSC method.
- Luminance mixing circuit is built-in and output is primary color output.
- Power consumption : 70.5mW



ICs for TV

### Block Diagram



6932852 0014314 720