

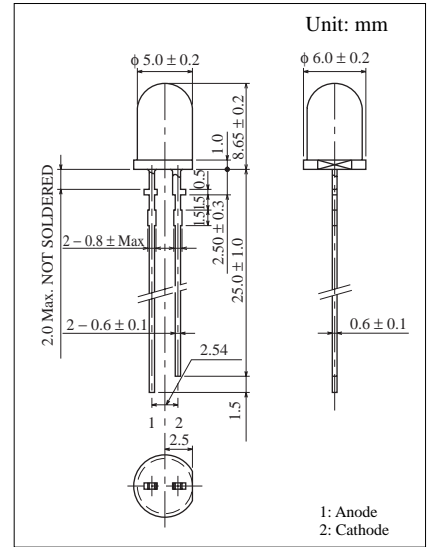
φ 5.0 mm Blue Series  
LNG901LCFB

Conventional Part No. Global Part No. Lighting Color  
LNG901LCFB ..... LNG901LCFB ..... Blue

■ 絶対最大定格 Absolute Maximum Ratings (T<sub>a</sub> = 25°C)

Lighting Color	P <sub>D</sub> (mW)	I <sub>F</sub> (mA)	I <sub>FP</sub> (mA)*	V <sub>R</sub> (V)	T <sub>opr</sub> (°C)	T <sub>stg</sub> (°C)
Blue	120	30	100	5	-25 ~ +85	-30 ~ +100

I<sub>FP</sub>の条件は  $\mu$ t 10% Pulse width 1 msec. The condition of I<sub>FP</sub> is duty 10%, Pulse width 1 msec



■ 電気的光学的特性 Electro-Optical Characteristics (T<sub>a</sub> = 25°C)

Conventional Part No.	Lighting Color	Lens Color	I <sub>O</sub>			V <sub>F</sub>		λ <sub>p</sub>	Δλ	I <sub>F</sub>	I <sub>R</sub>	
			Typ	Min	I <sub>F</sub>	Typ	Max				Max	V <sub>R</sub>
LNG901LCFB	Blue	Clear	650	—	20	3.5	4.0	470	30	20	10	5
Unit	—	—	mcd	mcd	mA	V	V	nm	nm	mA	μA	V

