



ST622XC-KIT

STARTER KIT FOR ST620x, ST621x and ST622x MCUs

HARDWARE FEATURES

- Immediate evaluation of all ST620x, ST621x and ST622x devices, with stand-alone demonstration routines.
- Simulation and debugging within the user's real application environment.
- In-socket programming of all DIL OTP and EPROM ST620x, ST621x and ST622x devices.
- In-circuit programming of all DIL and SO OTP and EPROM ST620x, ST621x and ST622x devices directly on the user's application board.

SOFTWARE FEATURES

- Software simulation, including I/O read/write.
- Assembler, Linker and Debugger.
- In-socket OTP and EPROM programming utilities.
- In-circuit OTP and EPROM programming utilities
- Application examples and demonstrations



The following diagram shows the layout of the Starter Kit board.

- | | | | |
|-----------|--|-----------|--|
| 1 | In-circuit programming connector (J1). | 11 | RESET button. |
| 2 | 8 Mhz oscillator. | 12 | Demonstration routine selector. |
| 3 | PC connector P1. | 13 | RS232 interface circuit and connector. |
| 4 | 4 LEDs. | 14 | 10 K Ω trimmer. |
| 5 | Heater resistor LED indicator LD6. | 15 | DIL 20-28 ZIF MCU socket. |
| 6 | Power supply JACK connector J3. | 16 | DIL 16 ZIF MCU socket. |
| 7 | Heater resistor. | 17 | Remote resource I/O interface connector J2. |
| 8 | Power supply LED indicator LD5. | 18 | "ST6220" or "ST6225" device selection jumpers W1. |
| 9 | Thermistor. | 19 | "Programming" or "User" operating mode selection jumpers W2. |
| 10 | "+" and "-" buttons. | | |

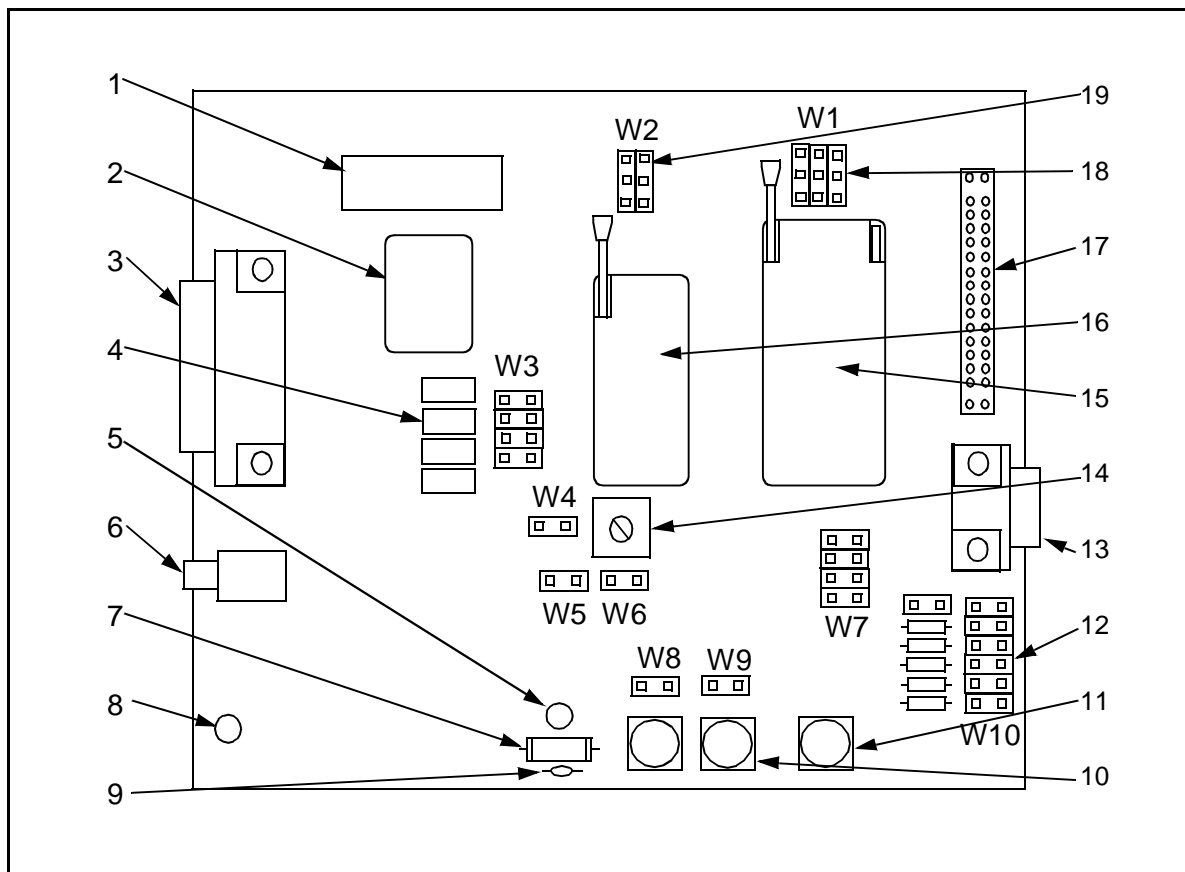
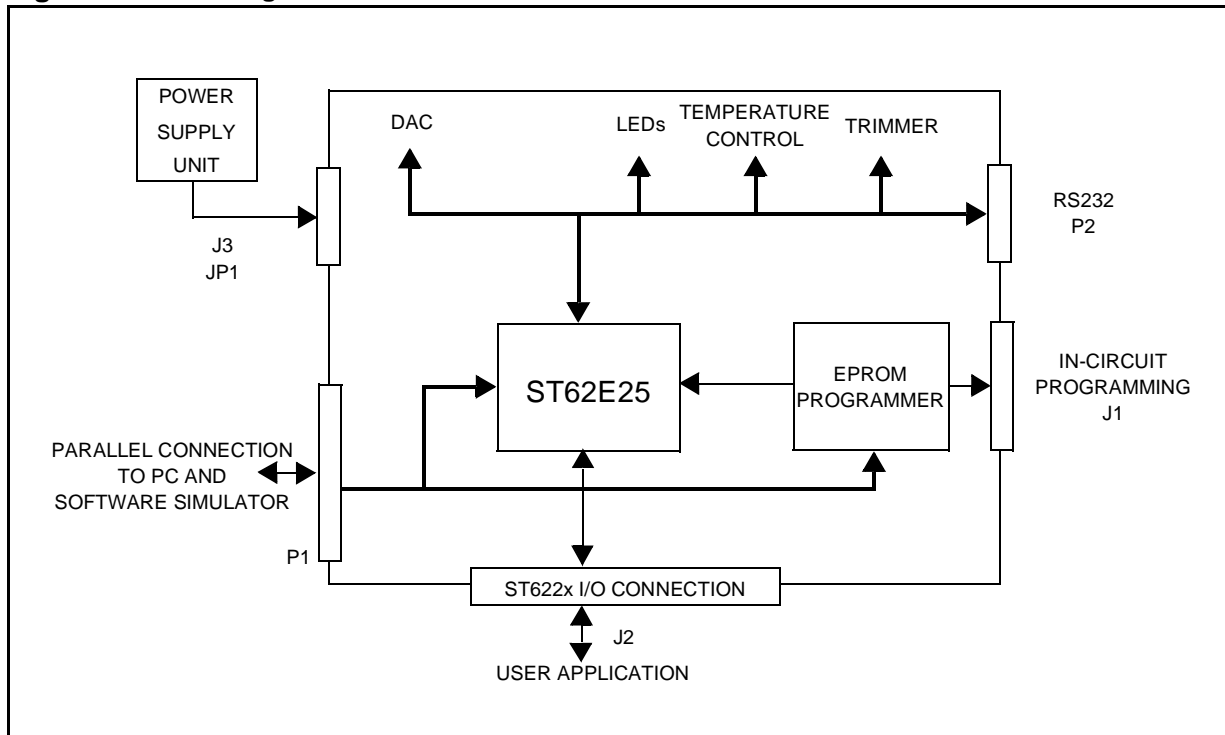


Figure 1. Block Diagram of the Starter Kit board



ORDERING INFORMATION

Sales Type	Description
ST622XC-KIT/UK	Starter Kit for ST620x; ST621x and ST622x MCUs for operation in United Kingdom
ST622XC-KIT/110	Starter Kit for ST620x; ST621x and ST622x MCUs for operation from 110 Vac mains
ST622XC-KIT/220	Starter Kit for ST620x; ST621x and ST622x MCUs for operation from 220 Vac mains

Information furnished is believed to be accurate and reliable. However, STMicroelectronics assumes no responsibility for the consequences of use of such information nor for any infringement of patents or other rights of third parties which may result from its use. No license is granted by implication or otherwise under any patent or patent rights of STMicroelectronics. Specifications mentioned in this publication are subject to change without notice. This publication supersedes and replaces all information previously supplied. STMicroelectronics products are not authorized for use as critical components in life support devices or systems without the express written approval of STMicroelectronics.

The ST logo is a registered trademark of STMicroelectronics

©1998 STMicroelectronics - All Rights Reserved.

Purchase of I²C Components by STMicroelectronics conveys a license under the Philips I²C Patent. Rights to use these components in an I²C system is granted provided that the system conforms to the I²C Standard Specification as defined by Philips.

STMicroelectronics Group of Companies

Australia - Brazil - Canada - China - France - Germany - Italy - Japan - Korea - Malaysia - Malta - Mexico - Morocco - The Netherlands - Singapore - Spain - Sweden - Switzerland - Taiwan - Thailand - United Kingdom - U.S.A.

<http://www.st.com>