

## Dual, Low Power Operational Amplifiers

Utilizing the circuit designs perfected for recently introduced Quad Operational Amplifiers, these dual operational amplifiers feature 1) low power drain, 2) a common mode input voltage range extending to ground/ $V_{EE}$ , 3) Single Supply or Split Supply operation and 4) pin outs compatible with the popular MC1558 dual operational amplifier. The MC3558 Series is equivalent to one-half of a MC3505.

These amplifiers have several distinct advantages over standard operational amplifier types in single supply applications. They can operate at supply voltages as low as 3.0 V or as high as 36 V with quiescent currents about one-fifth of those associated with the MC1741 (on a per amplifier basis). The common mode input range includes the negative supply, thereby eliminating the necessity for external biasing components in many applications. The output voltage range also includes the negative power supply voltage.

- Short Circuit Protected Outputs
- True Differential Input Stage
- Single Supply Operation: 3.0 V to 36 V
- Low Input Bias Currents
- Internally Compensated
- Common Mode Range Extends to Negative Supply
- Class AB Output Stage for Minimum Crossover Distortion
- Single and Split Supply Operations Available
- Similar Performance to the Popular MC1458/1558

### DUAL DIFFERENTIAL INPUT OPERATIONAL AMPLIFIERS

**SILICON MONOLITHIC  
INTEGRATED CIRCUIT**



**P1 SUFFIX  
PLASTIC PACKAGE  
CASE 626**



**U SUFFIX  
CERAMIC PACKAGE  
CASE 693**



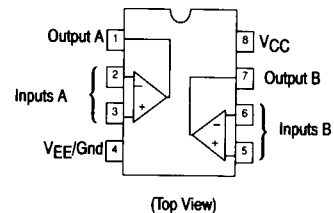
**D SUFFIX  
PLASTIC PACKAGE  
CASE 751  
(SO-8)**

### MAXIMUM RATINGS

Rating	Symbol	Value	Unit
Power Supply Voltages Single Supply Split Supplies	$V_{CC}$ $V_{CC}, V_{EE}$	36 $\pm 18$	Vdc
Input Differential Voltage Range (1)	$V_{IDR}$	$\pm 30$	Vdc
Input Common Mode Voltage Range (2)	$V_{ICR}$	$\pm 15$	Vdc
Junction Temperature Ceramic Package Plastic Package	$T_J$	175 150	$^{\circ}\text{C}$
Storage Temperature Range Ceramic Package Plastic Package	$T_{stg}$	-65 to +150 -55 to +125	$^{\circ}\text{C}$
Operating Ambient Temperature Range MC3458 MC3558 MC3358	$T_A$	0 to +70 -55 to +125 -40 to +85	$^{\circ}\text{C}$

- NOTES:**
1. Split Power Supplies.
  2. For supply voltages less than  $\pm 18$  V, the absolute maximum input voltage is equal to the supply voltage.

### PIN CONNECTIONS



### ORDERING INFORMATION

Device	Temperature Range	Package
MC3358P1	-40 $^{\circ}$ to +85 $^{\circ}\text{C}$	Plastic DIP
MC3458D MC3458P1 MC3458U	0 $^{\circ}$ to +70 $^{\circ}\text{C}$	SO-8 Plastic DIP Ceramic DIP
MC3558U	-55 $^{\circ}$ to +125 $^{\circ}\text{C}$	Ceramic DIP

# MC3458, MC3558, MC3358

**ELECTRICAL CHARACTERISTICS** (For MC3558, MC3458,  $V_{CC} = +15\text{ V}$ ,  $V_{EE} = -15\text{ V}$ ,  $T_A = 25^\circ\text{C}$ , unless otherwise noted.)  
 (For MC3358,  $V_{CC} = +14\text{ V}$ ,  $V_{EE} = \text{Gnd}$ ,  $T_A = 25^\circ\text{C}$ , unless otherwise noted.)

2

Characteristics	Symbol	MC3558			MC3458			MC3358			Unit
		Min	Typ	Max	Min	Typ	Max	Min	Typ	Max	
Input Offset Voltage $T_A = T_{\text{high}} \text{ to } T_{\text{low}}$ (Note 1)	$V_{IO}$	—	2.0	5.0 6.0	—	2.0	10 12	—	2.0	8.0 10	mV
Input Offset Current $T_A = T_{\text{high}} \text{ to } T_{\text{low}}$	$I_{IO}$	—	30	50 200	—	30	50 200	—	30	75 250	nA
Large Signal Open-Loop Voltage Gain $V_O = \pm 10\text{ V}$ , $R_L = 2.0\text{ k}\Omega$ , $T_A = T_{\text{high}} \text{ to } T_{\text{low}}$	$A_{VOL}$	50 25	200 300	—	20 15	200	—	20 15	200	—	V/mV
Input Bias Current $T_A = T_{\text{high}} \text{ to } T_{\text{low}}$	$I_{IB}$	—	-200 -300	-500 -1500	—	-200 —	-500 -800	—	-200 —	-500 -1000	nA
Output Impedance $f = 20\text{ Hz}$	$z_O$	—	75	—	—	75	—	—	75	—	$\Omega$
Input Impedance $f = 20\text{ Hz}$	$z_I$	0.3	1.0	—	0.3	1.0	—	0.3	1.0	—	M $\Omega$
Output Voltage Range $R_L = 10\text{ k}\Omega$ , $R_L = 2.0\text{ k}\Omega$ , $R_L = 2.0\text{ k}\Omega$ , $T_A = T_{\text{high}} \text{ to } T_{\text{low}}$	$V_{OR}$	$\pm 12$ $\pm 10$ $\pm 10$	$\pm 13.5$ $\pm 13$ —	—	$\pm 12$ $\pm 10$ $\pm 10$	$\pm 13.5$ $\pm 13$ —	—	12 10 10	12.5 12 —	—	V
Input Common Mode Voltage Range	$V_{ICR}$	+13 - $V_{EE}$	+13.5 - $V_{EE}$	—	+13 - $V_{EE}$	+13.5 - $V_{EE}$	—	+13 - $V_{EE}$	+13.5 - $V_{EE}$	—	V
Common Mode Rejection Ratio $R_S \leq 10\text{ k}\Omega$	CMR	70	90	—	70	90	—	70	90	—	dB
Power Supply Current ( $V_O = 0$ ) $R_L = \infty$	$I_{CC}$ , $I_{EE}$	—	1.6	2.2	—	1.6	3.7	—	1.6	3.7	mA
Individual Output Short Circuit Current (Note 2)	$I_{SC}$	$\pm 10$	$\pm 30$	$\pm 45$	$\pm 10$	$\pm 20$	$\pm 45$	$\pm 10$	$\pm 30$	$\pm 45$	mA
Positive Power Supply Rejection Ratio	PSRR+	—	30	150	—	30	150	—	30	150	$\mu\text{V/V}$
Negative Power Supply Rejection Ratio	PSRR-	—	30	150	—	30	150	—	—	—	$\mu\text{V/V}$
Average Temperature Coefficient of Input Offset Current $T_A = T_{\text{high}} \text{ to } T_{\text{low}}$	$\Delta I_{IO}/\Delta T$	—	50	—	—	50	—	—	50	—	$\text{pA}/^\circ\text{C}$
Average Temperature Coefficient of Input Offset Current $T_A = T_{\text{high}} \text{ to } T_{\text{low}}$	$\Delta V_{IO}/\Delta T$	—	10	—	—	10	—	—	10	—	$\mu\text{V}/^\circ\text{C}$
Power Bandwidth $A_V = 1$ , $R_L = 2.0\text{ k}\Omega$ , $V_O = 20\text{ V}_{p-p}$ , THD = 5%	BWp	—	9.0	—	—	9.0	—	—	9.0	—	kHz
Small Signal Bandwidth $A_V = 1$ , $R_L = 10\text{ k}\Omega$ , $V_O = 50\text{ mV}$	BW	—	1.0	—	—	1.0	—	—	1.0	—	MHz
Slew Rate $A_V = 1$ , $V_I = -10\text{ V to } +10\text{ V}$	SR	—	0.6	—	—	0.6	—	—	0.6	—	$\text{V}/\mu\text{s}$
Rise Time $A_V = 1$ , $R_L = 10\text{ k}\Omega$ , $V_O = 50\text{ mV}$	$t_{TLH}$	—	0.35	—	—	0.35	—	—	0.35	—	$\mu\text{s}$
Fall Time $A_V = 1$ , $R_L = 10\text{ k}\Omega$ , $V_O = 50\text{ mV}$	$t_{THL}$	—	0.35	—	—	0.35	—	—	0.35	—	$\mu\text{s}$
Overshoot $A_V = 1$ , $R_L = 10\text{ k}\Omega$ , $V_O = 50\text{ mV}$	OS	—	20	—	—	20	—	—	20	—	%
Phase Margin $A_V = 1$ , $R_L = 2.0\text{ k}\Omega$ , $C_L = 200\text{ pF}$	$\phi_m$	—	60	—	—	60	—	—	60	—	Degrees
Crossover Distortion ( $V_{in} = 30\text{ mV}_{p-p}$ , $V_{out} = 2.0\text{ V}_{p-p}$ , $f = 10\text{ kHz}$ )	—	—	1.0	—	—	1.0	—	—	1.0	—	%

NOTES: 1.  $T_{\text{high}} = 125^\circ\text{C}$  for MC3558,  $70^\circ\text{C}$  for MC3458,  $85^\circ\text{C}$  for MC3358  $T_{\text{low}} = -55^\circ\text{C}$  for MC3558,  $0^\circ\text{C}$  for MC3458,  $-40^\circ\text{C}$  for MC3358  
 2. Not to exceed maximum package power dissipation.

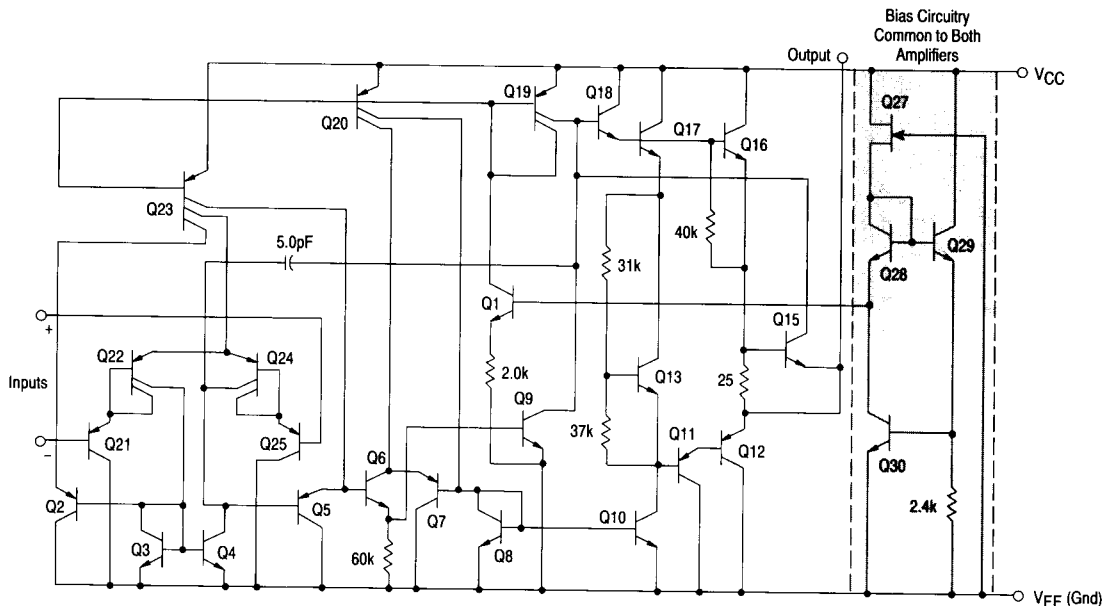
**ELECTRICAL CHARACTERISTICS** ( $V_{CC} = 5.0\text{ V}$ ,  $V_{EE} = \text{Gnd}$ ,  $T_A = 25^\circ\text{C}$ , unless otherwise noted.)

Characteristics	Symbol	MC3558			MC3458			MC3358			Unit
		Min	Typ	Max	Min	Typ	Max	Min	Typ	Max	
Input Offset Voltage	$V_{IO}$	—	2.0	5.0	—	2.0	5.0	—	2.0	10	mV
Input Offset Current	$I_{IO}$	—	30	50	—	30	50	—	—	75	nA
Input Bias Current	$I_{IB}$	—	-200	-500	—	-200	-500	—	—	-500	nA
Large Signal Open-Loop Voltage Gain $R_L = 2.0\text{ k}\Omega$	$A_{VOL}$	20	200	—	20	200	—	20	200	—	V/mV
Power Supply Rejection Ratio	PSRR	—	—	150	—	—	150	—	—	150	$\mu\text{V/V}$
Output Voltage Range (Note 3) $R_L = 10\text{ k}\Omega$ , $V_{CC} = 5.0\text{ V}$ , $R_L = 10\text{ k}\Omega$ , $5.0\text{ V} \leq V_{CC} \leq 30\text{ V}$	$V_{OR}$	3.3	3.5 $V_{CC}-1.7$	—	3.3	3.5 $V_{CC}-1.7$	—	3.3	3.5 $V_{CC}-1.7$	—	Vp-p
Power Supply Current	$I_{CC}$	—	2.5	4.0	—	2.5	7.0	—	2.5	4.0	mA
Channel Separation $f = 1.0\text{ kHz to } 20\text{ kHz}$ (Input Referenced)	CS	—	-120	—	—	-120	—	—	-120	—	dB

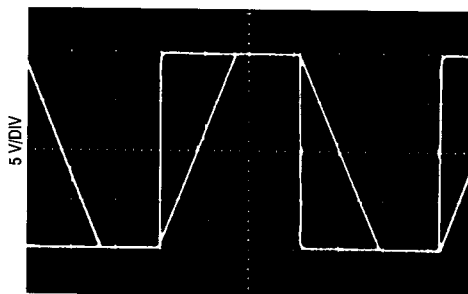
NOTES: 3. Output will swing to ground with a  $10\text{ k}\Omega$  pull down resistor.

# MC3458, MC3558, MC3358

## Representative Circuit Schematic (1/4 of Circuit Shown)



Inverter Pulse Response



20  $\mu$ s/DIV

## CIRCUIT DESCRIPTION

The MC3558 Series is made using two internally compensated, two-stage operational amplifiers. The first stage of each consists of differential input devices Q24 and Q22 with input buffer transistors Q25 and Q21 and the differential to single ended converter Q3 and Q4. The first stage performs not only the first stage gain function but also performs the level shifting and transconductance reduction functions. By reducing the transconductance a smaller compensation capacitor (only 5.0 pF) can be employed, thus saving chip area. The transconductance reduction is accomplished by splitting the collectors of Q24 and Q22. Another feature of this input stage is that the input Common Mode range can include the negative supply or ground, in single supply operation, without saturating either the input devices or the differential to single-ended converter. The second stage consists of a standard current source load amplifier stage.

The output stage is unique because it allows the output to swing to ground in single supply operation and yet does not exhibit any crossover distortion in split supply operation. This is possible because Class AB operation is utilized.

Each amplifier is biased from an internal voltage regulator which has a low temperature coefficient thus giving each amplifier good temperature characteristics as well as excellent power supply rejection.

Figure 1. Sine Wave Response

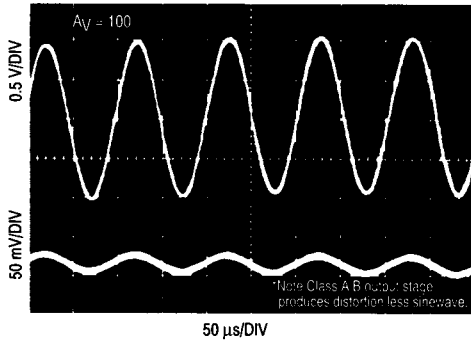


Figure 2. Open-Loop Frequency Response

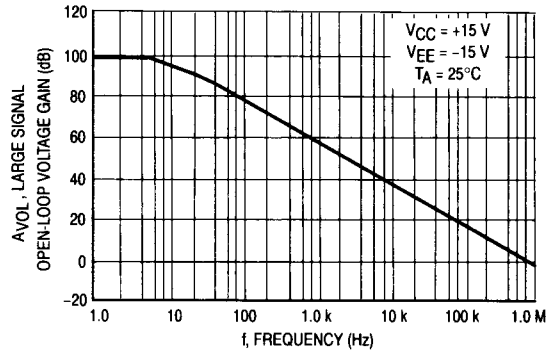


Figure 3. Power Bandwidth

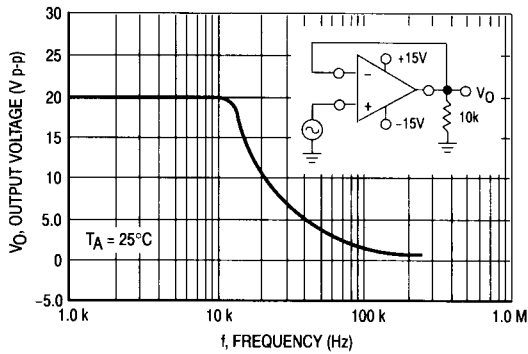


Figure 4. Output Swing versus Supply Voltage

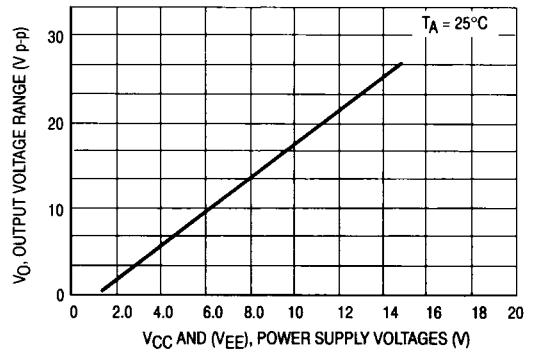


Figure 5. Input Bias Current versus Temperature

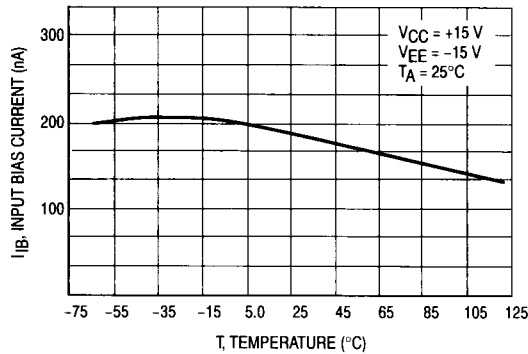
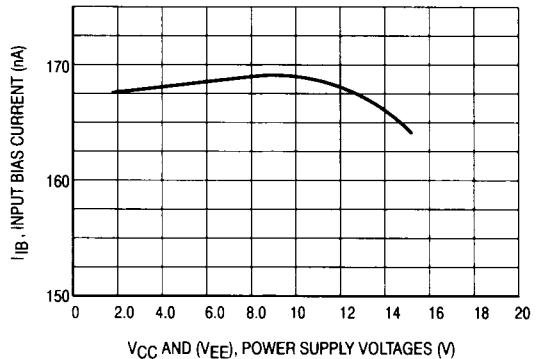


Figure 6. Input Bias Current versus Supply Voltage



# MC3458, MC3558, MC3358

Figure 7. Voltage Reference

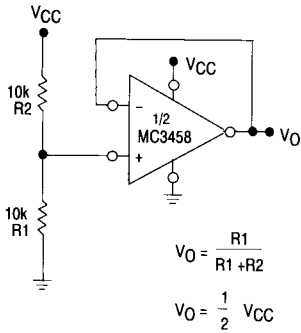


Figure 8. Wien Bridge Oscillator

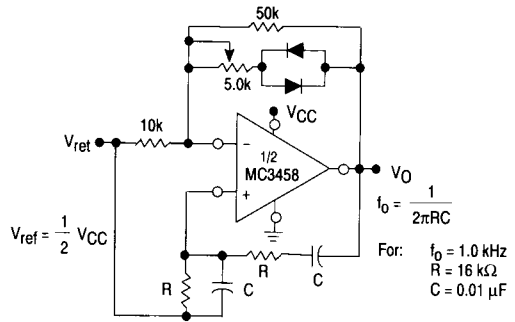


Figure 9. High Impedance Differential Amplifier

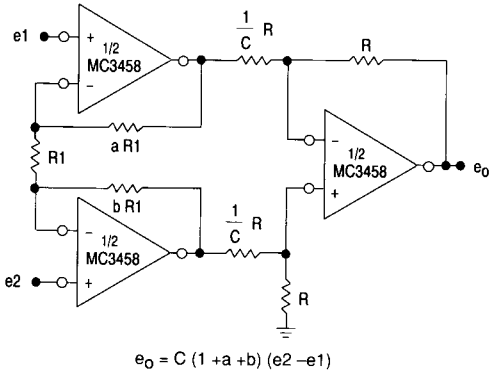


Figure 10. Comparator with Hysteresis

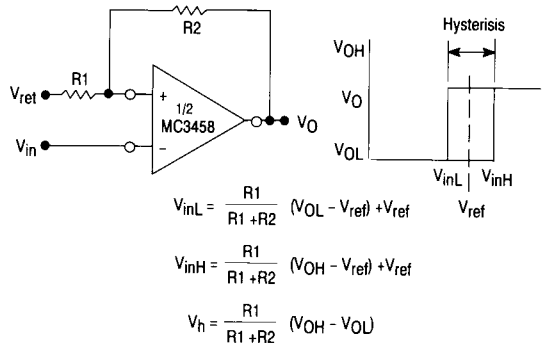
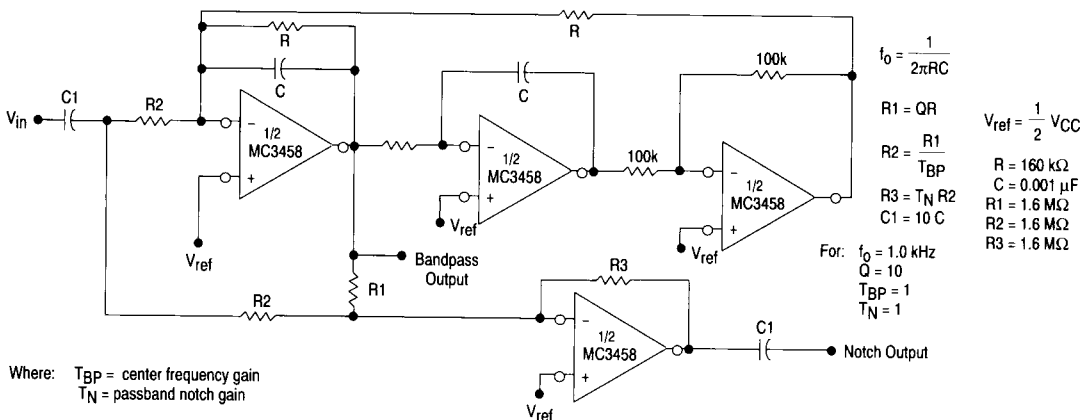


Figure 11. Bi-Quad Filter



# MC3458, MC3558, MC3358

Figure 12. Function Generator

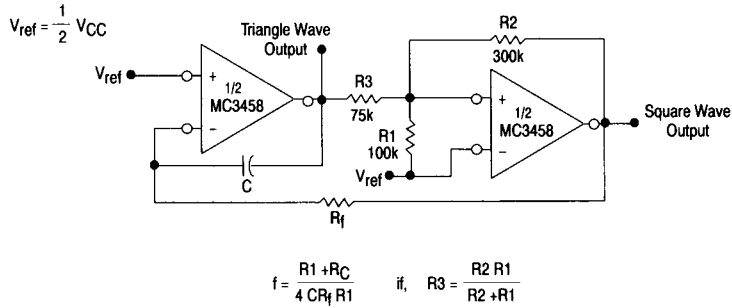
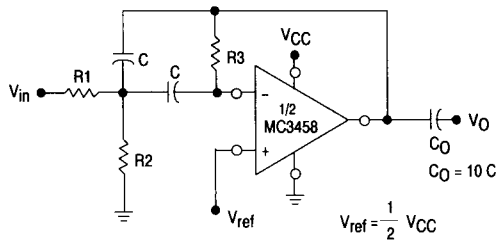


Figure 13. Multiple Feedback Bandpass Filter



Given:  $f_0$  = center frequency  
 $A(f_0)$  = gain at center frequency

Choose value  $f_0, C$ .

Then:  $R3 = \frac{Q}{\pi f_0 C} \quad R1 = \frac{R3}{2 A(f_0)} \quad R2 = \frac{R1 R3}{4Q^2 R1 - R3}$

For less than 10% error from operational amplifier  $\frac{Q_0 f_0}{BW} < 0.1$   
 where,  $f_0$  and BW are expressed in Hz.

If source impedance varies, filter may be preceded with voltage follower buffer to stabilize filter parameters.