



LA7995M

Charge Pump Type DC-DC Converter

Overview

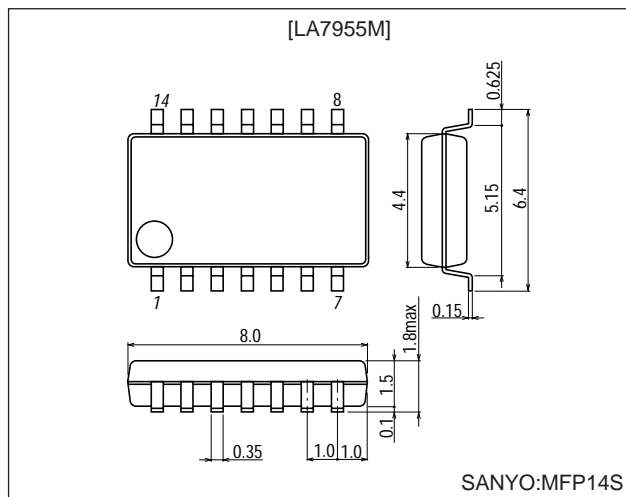
This DC-DC converter IC supplies 30V from a V_{CC} of 5V. Possible applications include use as a power supply for tuner circuitry on a PC video board.

Conventional DC-DC converters utilize the counterelectromotive force in a coil to step up the voltage. This method suffers from high-frequency noise caused by sharp pulses. The so-called charge pump principle adopted in the LA7995M chip results in much lower noise and also has the advantage of using only capacitors, reducing the cost for peripheral components.

Package Dimensions

unit:mm

3111-MFP14S



Specifications

Maximum Ratings at $T_a = 25^\circ\text{C}$

Parameter	Symbol	Conditions	Ratings	Unit
Maximum supply voltage	$V_{CC\max}$		7	V
Allowable power dissipation	$P_d\max$	$T_a = 65^\circ\text{C}^*$	380	mW
Operating temperature	T_{opr}		-10 to +65	$^\circ\text{C}$
Storage temperature	T_{stg}		-55 to +150	$^\circ\text{C}$

Note: *Includes substrate (phenol) 144.3 x 76.1 x 1.6 mm

- Any and all SANYO products described or contained herein do not have specifications that can handle applications that require extremely high levels of reliability, such as life-support systems, aircraft control systems, or other applications whose failure can be reasonably expected to result in serious physical and/or material damage. Consult with your SANYO representative nearest you before using any SANYO products described or contained herein in such applications.
- SANYO assumes no responsibility for equipment failures that result from using products at values that exceed, even momentarily, rated values (such as maximum ratings, operating condition ranges, or other parameters) listed in products specifications of any and all SANYO products described or contained herein.

Operating Conditions at Ta = 25°C

Parameter	Symbol	Conditions	Ratings	Unit
Recommended supply voltage	V _{CC}		5	V
Operating supply voltage range	V _{CCop}		4.75 to 5.25	V

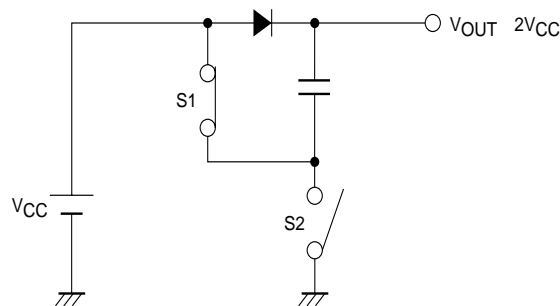
Operating Characteristics at Ta = 25°C

Parameter	Symbol	Conditions	Ratings			Unit
			min	typ	max	
Current drain	I _{IN}	I _O =1 mA, V _{CC} =5V	19	24	29	mA
Output voltage	V _{OUT}	I _O =1 mA, V _{CC} =5V	29	30.7	32	V
Output voltage fluctuation	V _{OUT}	I _O =1 mA, V _{IN} =4.75 to 5.25V		1.0	1.5	V
Output current	I _{OUT}	V _O =29V	1.5	1.7		mA
Oscillation frequency	f	C _{OSC} =150pF	35	50	65	KHz

Note: The above specifications are measured with external capacitance provided by three 0.33 μF chip capacitors(C1, C2, C3).

Charge Pump Principle

Figure 1 shows a charge pump circuit. Driving S1 and S2 with opposite phase produces a doubled voltage



A11009

Figure 1 Charge pump circuit

In order to supply 30V from 5V, the LA7995M uses three charge pump circuits in series to produce a step-up factor of 2 x 2 x 2 = 8.

Block Diagram

The LA7995M incorporates the following functions for controlling the 3-stage charge pump circuit:

- Oscillator
- Switching circuit

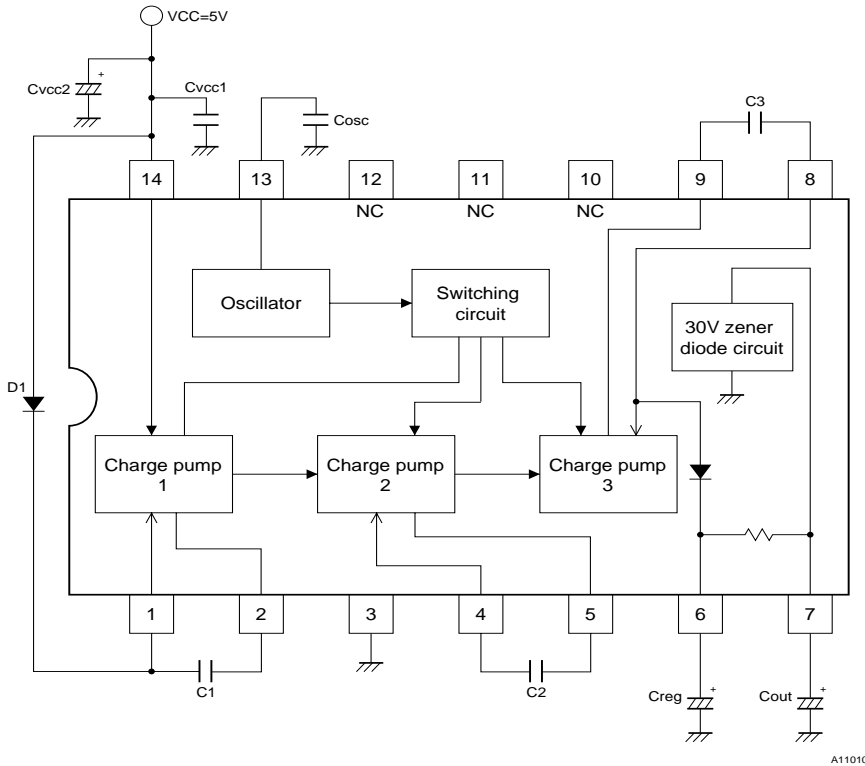
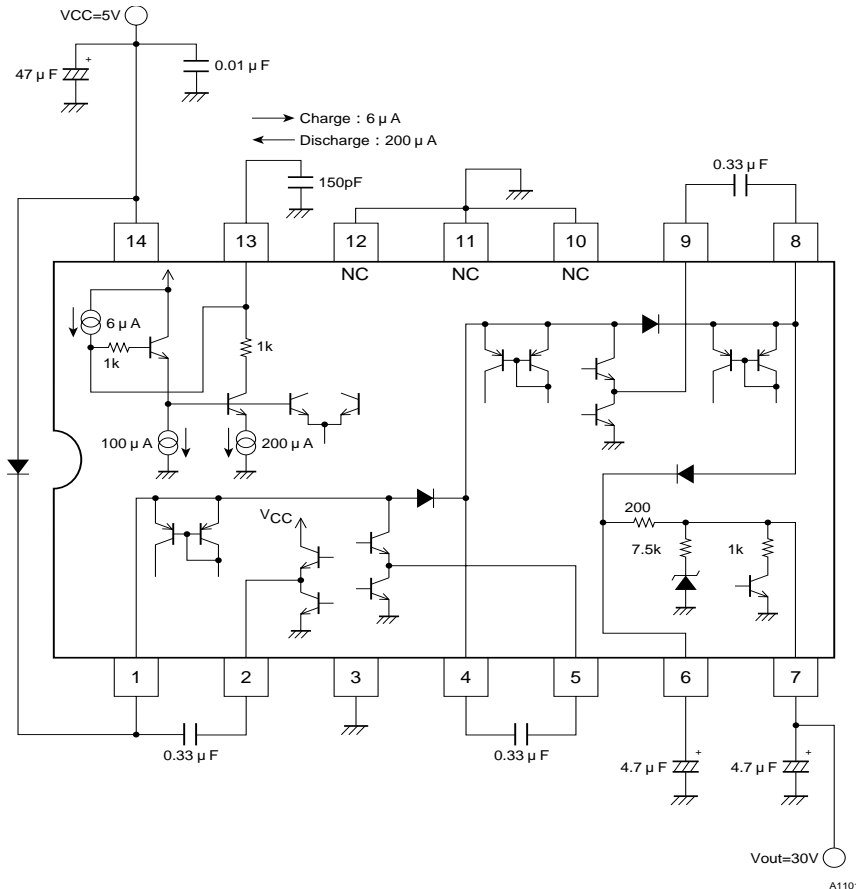


Figure 2 Block diagram

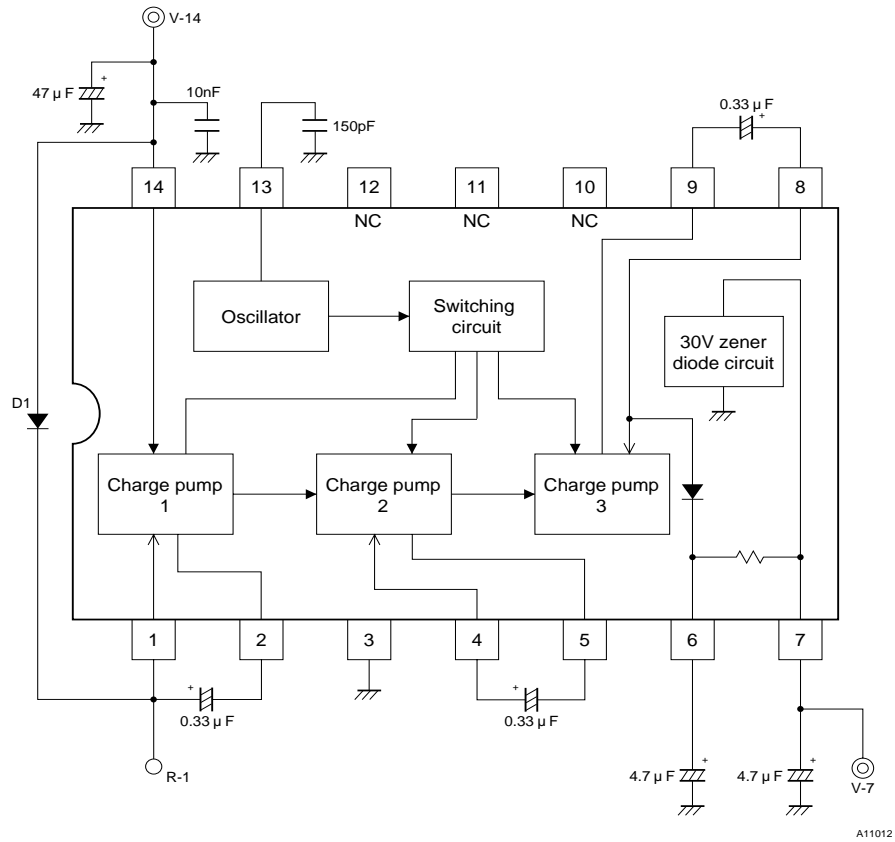
A11010

Equivalent Internal Circuit and Recommended Peripheral Circuitry



A11011

Test Circuit



Test Method

Item	Symbol	Measurement point	Test method	Output current (mA)
				V-7
Current consumption	I_{IN}	V-14	Connect a DC current generator to V-7 and use an ammeter to measure the current supplied to V-14 when 1mA is drawn from V-7.	1.0
Output voltage	V_{OUT}	V-7	Mesure voltage at V-7.	1.0
Output voltage fluctuation	V_{OUT}	V-7	Vary power supply voltage from 4.75 to 5.25V. Measure voltage change at V-7.	1.0
Output current	I_{OUT}	V-7	Measure output current required to obtain 29V from V-7.	-
Oscillation frequency	f	R-1	Measure frequency of pulse wave form at R-1.	1.0

- Specifications of any and all SANYO products described or contained herein stipulate the performance , characteristics , and functions of the described products in the independent state , and are not guarantees of the performance , characteristics , and functions of the described products as mounted in the customer's products or equipment. To verify symptoms and states that cannot be evaluated in an independent device , the customer should always evaluate and test devices mounted in the customer's products or equipment.
- SANYO Electric Co. , Ltd. strives to supply high-quality high-reliability products. However , any and all semiconductor products fail with some probability. It is possible that these probabilistic failures could give rise to accidents or events that could endanger human lives , that could give rise to smoke or fire , or that could cause damage to other property. When designing equipment , adopt safety measures so that these kinds of accidents or events cannot occur. Such measures include but are not limited to protective circuits and error prevention circuits for safe design , redundant design , and structural design.
- In the event that any and all SANYO products described or contained herein fall under strategic products (including services) controlled under the Foreign Exchange and Foreign Trade Control Law of Japan , such products must not be exported without obtaining export license from the Ministry of International Trade and Industry in accordance with the above law.
- No part of this publication may be reproduced or transmitted in any form or by any means , electronic or mechanical , including photocopying and recording , or any information storage or retrieval system , or otherwise , without the prior written permission of SANYO Electric Co. , Ltd.
- Any and all information described or contained herein are subject to change without notice due to product/technology improvement , etc. When designing equipment , refer to the “ Delivery Specification ” for the SANYO product that you intend to use.
- Information (including circuit diagrams and circuit parameters) herein is for example only ; it is not guaranteed for volume production. SANYO believes information herein is accurate and reliable , but no guarantees are made or implied regarding its use or any infringements of intellectual property rights or other rights of third parties.

This catalog provides information as of July, 1998. Specifications and information herein are subject to change without notice.