

CMOS DIGITAL INTEGRATED CIRCUIT SILICON MONOLITHIC

TC40H155P/F

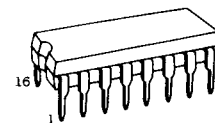
TC40H155 DUAL 2-TO-4-LINE DECODER/DEMULTIPLEXER

The TC40H155 is a dual decoder/demultiplexer.

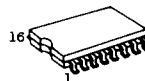
When STROBE="L", arbitrary one of four outputs can be selected by two common binary inputs A and B. The selected output goes to "L" level.

When the STROBE is set to "H" level, the output selection is inhibited, all the outputs go to "H" level regardless of other input signals.

Further, the TC40H155 can be used as 3-to-8-line decoder or 1-to-8-line demultiplexer by a combination of each input.



DIP16 (3D16A-P)

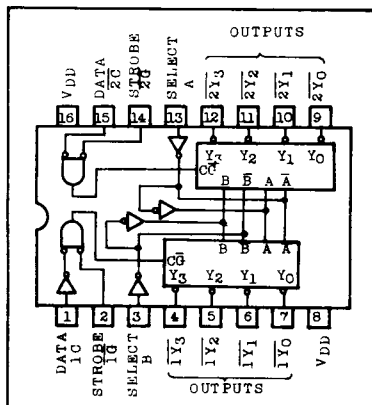


MFP16 (F16GC-P)

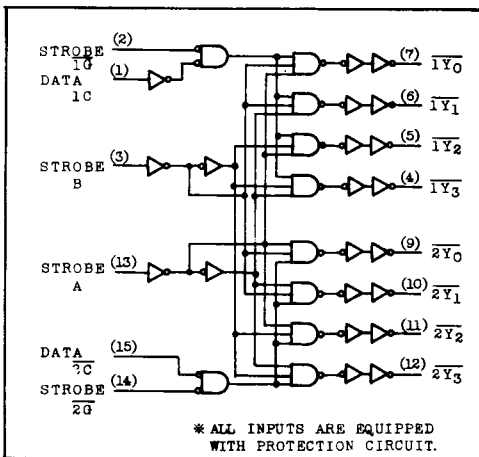
MAXIMUM RATING

CHARACTERISTIC	SYMBOL	RATING	UNIT
Supply Voltage	V _{DD}	V _{SS} -0.5 ~ V _{SS} +10	V
Input Voltage	V _{IN}	V _{SS} -0.5 ~ V _{DD} +0.5	V
Output Voltage	V _{OUT}	V _{SS} -0.5 ~ V _{DD} +0.5	V
Input Current	I _{IN}	±10	mA
Power Dissipation	P _d	300 (DIP) / 180 (MFP)	mW
Storage Temperature	T _{stg}	-65 ~ 150	°C
Lead Temp./Time	T _{sol}	260°C • 10 sec	

PIN CONNECTION



LOGIC DIAGRAM



RECOMMENDED OPERATING CONDITIONS (V_{SS}=0.0V)

CHARACTERISTIC	SYMBOL	MIN.	TYP.	MAX.	UNIT
Supply Voltage	V _{DD}	2.0	-	8.0	V
Input Voltage	V _{IN}	0	-	V _{DD}	V
Operating Temperature	T _{opr}	-40	-	85	°C

TC40H155P/F

TRUTH TABLE 1. 2-TO-4-LINE DECODER or 1-TO-4-LINE DEMULTIPLEXER

INPUTS				OUTPUTS			
SELECT		DATA	STROBE	$\overline{1Y0}$	$\overline{1Y1}$	$\overline{1Y2}$	$\overline{1Y3}$
A	B	1C	$\overline{1G}$				
X	X	X	H	H	H	H	H
L	L	H	L	L	H	H	H
H	L	H	L	H	L	H	H
L	H	H	L	H	H	L	H
H	H	H	L	H	H	H	L
X	X	L	X	H	H	H	H

INPUTS				OUTPUTS			
SELECT		DATA	STROBE	$\overline{2Y0}$	$\overline{2Y1}$	$\overline{2Y2}$	$\overline{2Y3}$
A	B	$\overline{2C}$	$\overline{2G}$				
X	X	X	H	H	H	H	H
L	L	L	L	L	H	H	H
H	L	L	L	H	L	H	H
L	H	L	L	H	H	L	H
H	H	L	L	H	H	H	L
X	X	H	X	H	H	H	H

X=Don't care

TRUTH TABLE 2. 3-TO-8-LINE DECODER or 1-TO-8-LINE DEMULTIPLEXER

INPUTS				OUTPUTS							
SELECT		DATA	STROBE	(0)	(1)	(2)	(3)	(4)	(5)	(6)	(7)
A	B	* C	** G	$\overline{2Y0}$	$\overline{2Y1}$	$\overline{2Y2}$	$\overline{2Y3}$	$\overline{1Y0}$	$\overline{1Y1}$	$\overline{1Y2}$	$\overline{1Y3}$
X	X	X	H	H	H	H	H	H	H	H	H
L	L	L	L	L	H	H	H	H	H	H	H
H	L	L	L	H	L	H	H	H	H	H	H
L	H	L	L	H	H	L	H	H	H	H	H
H	H	L	L	H	H	H	L	H	H	H	H
L	L	H	L	H	H	H	H	L	H	H	H
H	L	H	L	H	H	H	H	H	L	H	H
L	H	H	L	H	H	H	H	H	H	L	H
H	H	H	L	H	H	H	H	H	H	H	L

* C=1C+ $\overline{2C}$ ** G= $\overline{1G}$ + $\overline{2G}$ X=Don't CareELECTRICAL CHARACTERISTICS ($V_{SS}=0.0V$)

CHARACTERISTIC	SYMBOL	TEST CONDITION	V_{DD} (V)	-40°C		25°C			85°C		UNIT
				MIN.	MAX.	MIN.	TYP.	MAX.	MIN.	MAX.	
High Level Output Voltage	V_{OH}	$ I_{OUT} < 1\mu A$ $V_{IN}=V_{SS}, V_{DD}$	5	4.95	-	4.95	5.0	-	4.95	-	V
Low Level Output Voltage	V_{OL}	$ I_{OUT} < 1\mu A$ $V_{IN}=V_{SS}, V_{DD}$	5	-	0.05	-	0.0	0.05	-	0.05	V
High Level Output Current	I_{OH}	$V_{OH}=4.6V$ $V_{IN}=V_{SS}, V_{DD}$	5	-0.52	-	-0.44	-	-	-0.36	-	mA
Low Level Output Current	I_{OL}	$V_{OL}=0.4V$ $V_{IN}=V_{SS}, V_{DD}$	5	1.4	-	1.1	-	-	0.8	-	mA
Input Voltage	"H" Level V_{IH}	$ I_{OUT} < 1\mu A$ $V_{OUT}=0.5V$ $V_{OUT}=4.5V$	5	4.0	-	4.0	-	-	4.0	-	V
	"L" Level V_{IL}		5	-	1.0	-	-	1.0	-	1.0	V
Input Current	"H" Level I_{IH}	$V_{IH}=8.0V$ $V_{IL}=0.0V$	8	-	0.3	-	10^{-5}	0.3	-	1.0	μA
	"L" Level I_{IL}		8	-	-0.3	-	-10^{-5}	-0.5	-	-1.0	μA
Quiescent Supply Current	I_{DD}	* $V_{IN}=V_{SS}, V_{DD}$		-	12.5	-	10^{-3}	12.5	-	75	μA

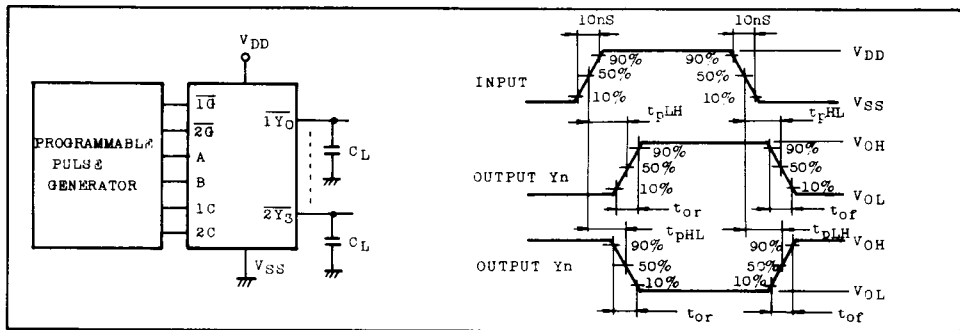
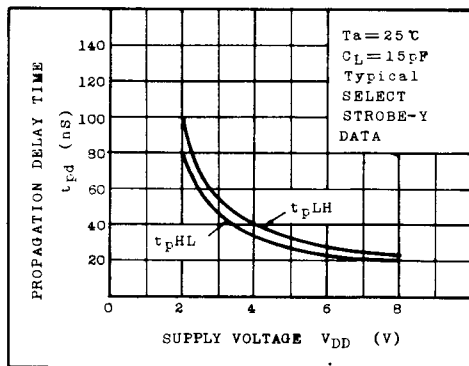
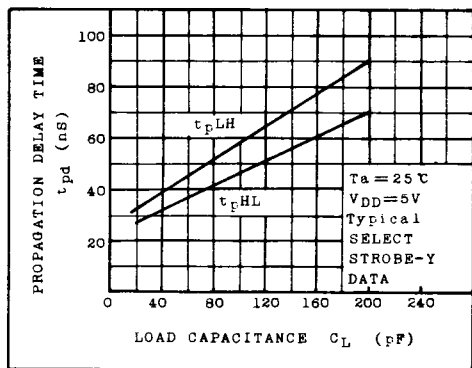
* All valid input combinations.

TC40H155P/F

SWITCHING CHARACTERISTIC ($T_a=25^\circ\text{C}$, $V_{SS}=0\text{V}$, $V_{DD}=5\text{V}$, $C_L=15\text{pF}$)

CHARACTERISTIC		SYMBOL	TEST CONDITION	MIN.	TYP.	MAX.	UNIT
Output Rise Time		t_{or}		-	17	35	ns
Output Fall Time		t_{of}		-	14	30	
Propagation Delay Time	(Low-High)	t_{pLH}	SELECT A - Y	-	32	48	ns
	(High-Low)	t_{pHL}	SELECT B - Y	-	28	42	
Propagation Delay Time	(Low-High)	t_{pLH}	STROBE $\overline{1G}$ - \overline{Y}	-	30	46	ns
	(High-Low)	t_{pHL}	STROBE $\overline{2C}$ - \overline{Y}	-	26	42	
Propagation Delay Time	(Low-High)	t_{pLH}	DATA $1C$ - Y	-	30	46	ns
	(High-Low)	t_{pHL}		-	26	42	
Propagation Delay Time	(Low-High)	t_{pLH}	DATA $\overline{2C}$ - \overline{Y}	-	30	46	ns
	(High-Low)	t_{pHL}		-	26	42	
Input Capacitance		C_{IN}		-	5	-	pF

SWITCHING TIME TEST CIRCUIT AND WAVEFORM

 $t_{pd} - V_{DD}$  $t_{pd} - C_L$ 

TC40H155P/F

