

---

**EM78P417/8/9N**

**8-Bit Microprocessor  
with OTP ROM**

**Product  
Specification**

**Doc. VERSION 1.0**

**ELAN MICROELECTRONICS CORP.**

June 2005


---



**Trademark Acknowledgments:**

IBM is a registered trademark and PS/2 is a trademark of IBM.

Windows is a trademark of Microsoft Corporation.

ELAN and ELAN logo  are trademarks of ELAN Microelectronics Corporation.

Copyright © 2005 by ELAN Microelectronics Corporation

All Rights Reserved

Printed in Taiwan

The contents of this specification are subject to change without further notice. ELAN Microelectronics assumes no responsibility concerning the accuracy, adequacy, or completeness of this specification. ELAN Microelectronics makes no commitment to update, or to keep current the information and material contained in this specification. Such information and material may change to conform to each confirmed order.

In no event shall ELAN Microelectronics be made responsible for any claims attributed to errors, omissions, or other inaccuracies in the information or material contained in this specification. ELAN Microelectronics shall not be liable for direct, indirect, special incidental, or consequential damages arising from the use of such information or material.

The software (if any) described in this specification is furnished under a license or nondisclosure agreement, and may be used or copied only in accordance with the terms of such agreement.

ELAN Microelectronics products are not intended for use in life support appliances, devices, or systems. Use of ELAN Microelectronics product in such applications is not supported and is prohibited.

NO PART OF THIS SPECIFICATION MAY BE REPRODUCED OR TRANSMITTED IN ANY FORM OR BY ANY MEANS WITHOUT THE EXPRESSED WRITTEN PERMISSION OF ELAN MICROELECTRONICS.



**ELAN MICROELECTRONICS CORPORATION**

**Headquarters:**

No. 12, Innovation Road 1  
Hsinchu Science Park  
Hsinchu, Taiwan 30077  
Tel: +886 3 563-9977  
Fax: +886 3 563-9966  
<http://www.emc.com.tw>

**Hong Kong:**

**Elan (HK) Microelectronics Corporation, Ltd.**  
Rm. 1005B, 10/F Empire Centre  
68 Mody Road, Tsimshatsui  
Kowloon, HONG KONG  
Tel: +852 2723-3376  
Fax: +852 2723-7780  
[elanhk@emc.com.hk](mailto:elanhk@emc.com.hk)

**USA:**

**Elan Information Technology Group**  
1821 Saratoga Ave., Suite 250  
Saratoga, CA 95070  
USA  
Tel: +1 408 366-8223  
Fax: +1 408 366-8220

**Europe:**

**Elan Microelectronics Corp. (Europe)**  
Siewerdtstrasse 105  
8050 Zurich, SWITZERLAND  
Tel: +41 43 299-4060  
Fax: +41 43 299-4079  
<http://www.elan-europe.com>

**Shenzhen:**

**Elan Microelectronics Shenzhen, Ltd.**  
SSMEC Bldg., 3F, Gaoxin S. Ave.  
Shenzhen Hi-Tech Industrial Park  
Shenzhen, Guangdong, CHINA  
Tel: +86 755 2601-0565  
Fax: +86 755 2601-0500

**Shanghai:**

**Elan Microelectronics Shanghai Corporation, Ltd.**  
23/Bldg. #115 Lane 572, Bibo Road  
Zhangjiang Hi-Tech Park  
Shanghai, CHINA  
Tel: +86 021 5080-3866  
Fax: +86 021 5080-4600

# Contents

<b>1</b>	<b>General Description</b> .....	<b>1</b>
<b>2</b>	<b>Features</b> .....	<b>1</b>
<b>3</b>	<b>Pin Configurations (Package)</b> .....	<b>2</b>
3.1	EM78P417NP/M Pin Description .....	2
3.2	EM78P418NP/M Pin Description .....	3
3.3	EM78P419NK/M Pin Description .....	3
<b>4</b>	<b>Functional Block Diagram</b> .....	<b>4</b>
<b>5</b>	<b>Pin Description</b> .....	<b>5</b>
5.1	EM78P417NP/M Pin Description .....	5
5.2	EM78P418NP/M Pin Description .....	6
5.3	EM78P419NK/M Pin Description .....	7
<b>6</b>	<b>Function Description</b> .....	<b>8</b>
6.1	Operational Registers.....	8
6.1.1	R0 (Indirect Address Register).....	8
6.1.2	R1 (Time Clock /Counter).....	8
6.1.3	R2 (Program Counter) and Stack.....	8
6.1.4	R3 (Status Register).....	11
6.1.5	R4 (RAM Select Register).....	11
6.1.6	R5 ~ R7 (Port 5 ~ Port 7) .....	12
6.1.7	R8 (AISR: ADC Input Select Register).....	12
6.1.8	R9 (ADCON: ADC Control Register).....	13
6.1.9	RA (ADOC: ADC Offset Calibration Register).....	14
6.1.10	RB (ADDATA: Converted Value of ADC).....	15
6.1.11	RC (ADDATA1H: Converted Value of ADC ) .....	15
6.1.12	RD (ADDATA1L: Converted Value of ADC ) .....	15
6.1.13	RE (WUCR: Wake- Up Control Register).....	15
6.1.14	RF (Interrupt Status Register) .....	17
6.1.15	R10 ~ R3F.....	17
6.2	Special Purpose Registers .....	18
6.2.1	A (Accumulator).....	18
6.2.2	CONT (Control Register).....	18
6.2.3	IOC50 ~ IOC70 (I/O Port Control Register) .....	19
6.2.4	IOC80 (PWMCON: PWM Control Register).....	19
6.2.5	IOC90 (TMRCON: TIMER Control Register) .....	20
6.2.6	IOCA0 (CMPCON: Comparator Control Register).....	21
6.2.7	IOCB0 (Pull-Down Control Register).....	21
6.2.8	IOCC0 (Open-Drain Control Register) .....	22



6.2.9	IOCD0 (Pull-high Control Register).....	22
6.2.10	IOCE0 (WDT Control Register).....	23
6.2.11	IOCF0 (Interrupt Mask Register).....	24
6.2.12	IOC51 (PRD1: PWM1 Time Period).....	25
6.2.13	IOC61 (PRD2: PWM2 Time Period).....	25
6.2.14	IOC71 (PRD3: PWM3 Time Period).....	25
6.2.15	IOC81 (DT1L: the Least Significant Byte (Bit 7 ~ Bit 0) of PWM1 Duty Cycle).....	25
6.2.16	IOC91 (DT2L: the Least Significant Byte (Bit 7 ~ Bit 0) of PWM2 Duty Cycle).....	25
6.2.17	IOCA1 (DT3L: the Least Significant Byte (Bit 7 ~ Bit 0) of PWM3 Duty Cycle).....	25
6.2.18	IOCB1 (DTH: the Most Significant Bits of PWM Duty Cycle).....	25
6.2.19	IOCC1 (TMR1L: the Least Significant Byte (Bit 7 ~ Bit 0) of PWM1 Timer) .....	26
6.2.20	IOCD1 (TMR2L: the Least Significant Byte (Bit 7 ~ Bit 0) of PWM2 Timer) .....	26
6.2.21	IOCE1 (TMR3L: the Least Significant Byte (Bit 7 ~ Bit 0) of PWM3 Timer) .....	26
6.2.22	IOCF1 (TMRH: the Most Significant Bits of PWM Timer) .....	26
6.3	TCC/WDT and Prescaler.....	26
6.4	I/O Ports .....	27
6.4.1	Usage of Port 6 Input Change Wake-up/Interrupt Function.....	30
6.5	RESET and Wake-up .....	30
6.5.1	RESET and Wake-up Operation .....	30
6.5.2	The T and P Status under STATUS Register .....	40
6.6	Interrupt.....	41
6.7	Analog-To-Digital Converter (ADC) .....	42
6.7.1	ADC Control Register (AISR/R8, ADCON/R9, ADOC/RA) .....	43
6.7.2	ADC Data Register (ADDATA/RB, ADDATA1H/RC, ADDATA1L/RD) .....	46
6.7.3	ADC Sampling Time.....	46
6.7.4	AD Conversion Time .....	47
6.7.5	ADC Operation during Sleep Mode.....	47
6.7.6	Programming Process/Considerations.....	47
6.8	Dual Sets of PWM (Pulse Width Modulation).....	50
6.8.1	Overview .....	50
6.8.2	Increment Timer Counter (TMRX: TMR1H/TWR1L, TMR2H/TWR2L, or TMR3H/TWR3L) .....	51
6.8.3	PWM Time Period (PRDX : PRD1 or PRD2) .....	51
6.8.4	PWM Duty Cycle (DTX: DT1H/ DT1L, DT2H/ DT2L and DT3H/DT3L; DLX: DL1H/DL1L, DL2H/DL2L and DL3H/DL3L ) .....	52
6.8.5	Comparator X.....	52
6.8.6	PWM Programming Process/Steps.....	52



6.9	Timer .....	52
6.9.1	Overview .....	52
6.9.2	Function Description.....	53
6.9.3	Programming the Related Registers .....	54
6.9.4	Timer Programming Process/Steps.....	54
6.10	Comparator .....	54
6.10.1	External Reference Signal .....	55
6.10.2	Comparator Outputs.....	55
6.10.3	Using Comparator as an Operation Amplifier.....	56
6.10.4	Comparator Interrupt.....	56
6.10.5	Wake-up from SLEEP Mode .....	56
6.11	Oscillator .....	56
6.11.1	Oscillator Modes.....	56
6.11.2	Crystal Oscillator/Ceramic Resonators (XTAL).....	57
6.11.3	External RC Oscillator Mode.....	58
6.11.4	Internal RC Oscillator Mode .....	59
6.12	Power-on Considerations .....	60
6.12.1	External Power-on Reset Circuit.....	60
6.12.2	Residual Voltage Protection .....	61
6.13	Code Option .....	61
6.13.1	Code Option Register (Word 0).....	62
6.13.2	Code Option Register (Word 1).....	63
6.13.3	Customer ID Register (Word 2).....	64
6.14	Instruction Set .....	64
<b>7</b>	<b>Absolute Maximum Ratings.....</b>	<b>66</b>
<b>8</b>	<b>DC Electrical Characteristics.....</b>	<b>67</b>
8.1	AD Converter Characteristic.....	68
8.2	Comparator (OP) Characteristic.....	69
8.3	Device Characteristics.....	69
<b>9</b>	<b>AC Electrical Characteristic.....</b>	<b>70</b>
<b>10</b>	<b>Timing Diagrams.....</b>	<b>71</b>



**APPENDIX**

**A Package Types ..... 72**

**B Packaging Configurations ..... 72**

B.1 18-Lead Plastic Dual in line (PDIP) — 300 mil..... 72

B.2 18-Lead Plastic Small Outline (SOP) — 300 mil ..... 73

B.3 20-Lead Plastic Dual in line (PDIP) — 300 mil..... 74

B.4 20-Lead Plastic Small Outline (SOP) — 300 mil ..... 75

B.5 24-Lead Plastic Dual in line (PDIP) — 300 mil..... 76

B.6 24-Lead Plastic Small Outline (SOP) — 300 mil ..... 77

**C Quality Assurance and Reliability ..... 78**

C.1 Address Trap Detect..... 78

**Specification Revision History**

Doc. Version	Revision Description	Date
1.0	Initial official version	2005/06/23



## 1 General Description

EM78P417/8/9N is 8-bit microprocessors designed and developed with low-power and high-speed CMOS technology. It is equipped with a 4K\*13-bit Electrical One Time Programmable Read Only Memory (OTP-ROM). With its OTP-ROM feature, it is able to offer a convenient way of developing and verifying your programs. Moreover, it provides a protect bit to guard against code intrusion, as well as 3 Code Option words to accommodate your requirements. Furthermore you can take advantage of ELAN Writer to easily write your development code into the EM78P417/8/9N.

## 2 Features

- Operating voltage range: 2.3V~5.5V base on 0°C ~ 70°C (commercial)  
2.5V~5.5V base on -40°C ~ 85°C (industrial)
- Operating frequency range (base on 2 clocks):
  - Crystal mode: DC ~ 20MHz/2clks, 5V; DC ~ 8MHz/2clks, 3V
  - RC mode: DC ~ 4MHz/2clks, 5V; DC ~ 4MHz/2clks, 3V
- Low power consumption:
  - Less than 2.2 mA at 5V/4MHz
  - Typically 15  $\mu$ A, at 3V/32KHz
  - Typically 1  $\mu$ A, during sleep mode
- 4K  $\times$  13 bits on chip ROM
- 144  $\times$  8 bits on chip registers (SRAM)
- 3 bi-directional I/O ports
- 8 level stacks for subroutine nesting
- 8-bit real time clock/counter (TCC) with selective signal sources, trigger edges, and overflow interrupt
- 8-bit multi-channel Analog-to-Digital Converter with 12-bit resolution
- Three Pulse Width Modulation (PWM ) with 10-bit resolution
- One pair of comparators (can be set to act as an OP)
- Power-down (SLEEP) mode

- Six available interruptions:
  - TCC overflow interrupt
  - Input-port status changed interrupt (wake-up from sleep mode)
  - External interrupt
  - ADC completion interrupt
  - PWM time period match completion interrupt
  - Comparator high/low interrupt
- Programmable free running watchdog timer
- 8 Programmable pull-down I/O pins
- 8 programmable pull-high I/O pins
- 8 programmable open-drain I/O pins
- Two clocks per instruction cycle
- Package types:
  - 18 pin DIP 300mil: EM78P417NP
  - 18 pin SOP 300mil: EM78P417NM
  - 20 pin DIP 300mil: EM78P418NP
  - 20 pin SOP 300mil: EM78P418NM
  - 24 pin skinny DIP 300mil: EM78P419NK
  - 24 pin SOP 300mil: EM78P419NM
- Power on voltage detector provided (2.0V± 0.1V)

### 3 Pin Configurations (Package)

#### 3.1 EM78P417NP/M Pin Description

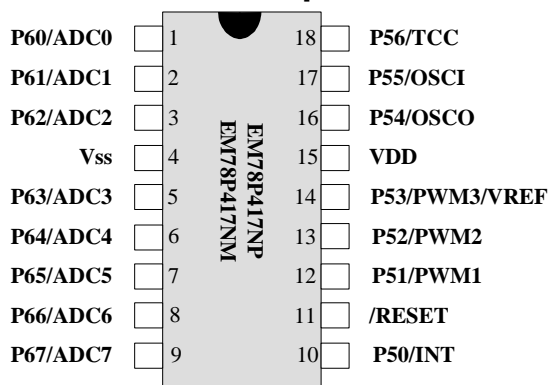


Fig. 3-1 Pin Assignment – EM78P417NP/M



### 3.2 EM78P418NP/M Pin Description

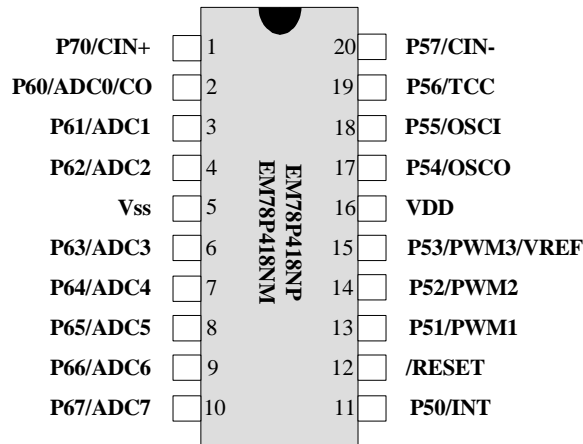


Fig. 3-2 Pin Assignment – EM78P418NP/M

### 3.3 EM78P419NK/M Pin Description

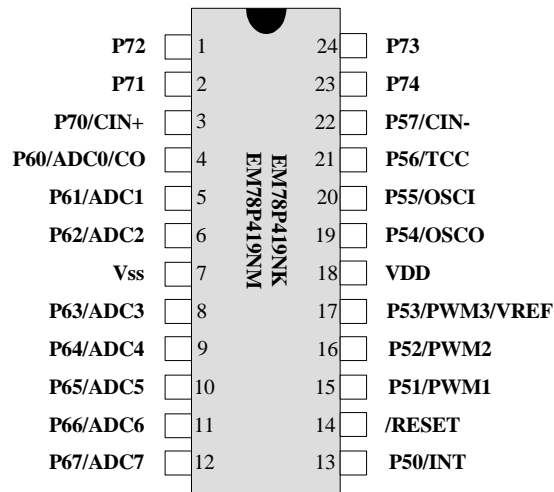


Fig. 3-3 Pin Assignment – EM78P419NK/M



## 4 Functional Block Diagram

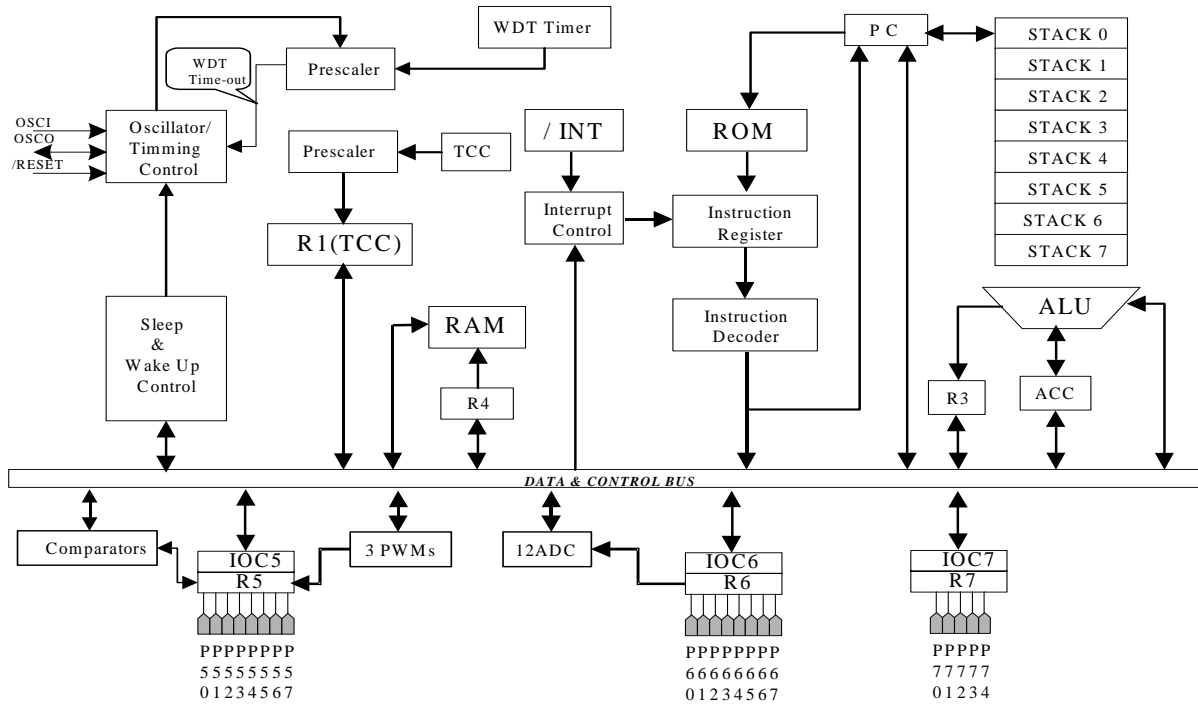


Fig. 4-1 EM78P417/8/9N Functional Block Diagram



## 5 Pin Description

### 5.1 EM78P417NP/M Pin Description

Symbol	Pin No.	Type	Function
VDD	15	–	Power supply
OSCI	17	I	<ul style="list-style-type: none"> <li>■ XTAL type Crystal input terminal or external clock input pin</li> <li>■ RC type: RC oscillator input pin</li> </ul>
OSCO	16	O	<ul style="list-style-type: none"> <li>■ XTAL type: Output terminal for crystal oscillator or external clock input pin</li> <li>■ RC type: Clock output with a duration of one instruction cycle time. The prescaler is determined by the CONT register.</li> <li>■ External clock signal input</li> </ul>
P50 ~ P56	10, 12~14, 16 ~ 18	I/O	<ul style="list-style-type: none"> <li>■ General-purpose I/O pin</li> <li>■ Default value at power-on reset</li> </ul>
P60 ~ P67	1 ~ 3, 5 ~ 9	I/O	<ul style="list-style-type: none"> <li>■ General-purpose I/O pin</li> <li>■ Default value at power-on reset</li> </ul>
INT	10	I	<ul style="list-style-type: none"> <li>■ External interrupt pin triggered by falling edge</li> </ul>
ADC0~ADC7	1 ~ 3, 5 ~ 9	I	<ul style="list-style-type: none"> <li>■ Analog to Digital Converter</li> <li>■ Defined by ADCON (R9)&lt;0:2&gt;</li> </ul>
PWM1, PWM2, PWM3	12, 13, 14	O	<ul style="list-style-type: none"> <li>■ Pulse width modulation outputs</li> <li>■ Defined by PWMCON (IOC80)&lt;5:7&gt;</li> </ul>
VREF	14	I	<ul style="list-style-type: none"> <li>■ External reference voltage for ADC</li> <li>■ Defined by ADCON (R9)&lt;7&gt;</li> </ul>
/RESET	11	I	<ul style="list-style-type: none"> <li>■ General-purpose Input only</li> <li>■ If it remains at logic low, the device will be reset</li> <li>■ Wake-up from sleep mode when pin status changes</li> <li>■ Voltage on /RESET must not exceed Vdd during normal mode</li> </ul>
TCC	18	I	<ul style="list-style-type: none"> <li>■ Real time clock/counter with Schmitt trigger input pin. It must be tied to VDD or VSS if not in use.</li> </ul>
VSS	4	–	Ground.



## 5.2 EM78P418NP/M Pin Description

Symbol	Pin No.	Type	Function
VDD	16	–	Power supply
OSCI	18	I	<ul style="list-style-type: none"> <li>■ XTAL type: Crystal input terminal or external clock input pin</li> <li>■ RC type: RC oscillator input pin</li> </ul>
OSCO	17	O	<ul style="list-style-type: none"> <li>■ XTAL type: Output terminal for crystal oscillator or external clock input pin</li> <li>■ RC type: Clock output with a duration of one instruction cycle time. The prescaler is determined by the CONT register.</li> <li>■ External clock signal input</li> </ul>
P50 ~ P57	11,13~15 17 ~ 20,	I/O	<ul style="list-style-type: none"> <li>■ General-purpose I/O pin</li> <li>■ Default value at power-on reset</li> </ul>
P60 ~ P67	2 ~ 4, 6 ~ 10	I/O	<ul style="list-style-type: none"> <li>■ General-purpose I/O pin</li> <li>■ Default value at power-on reset</li> </ul>
P70	1	I/O	<ul style="list-style-type: none"> <li>■ General-purpose I/O pin</li> <li>■ Default value at power-on reset</li> </ul>
INT	11	I	<ul style="list-style-type: none"> <li>■ External interrupt pin triggered by falling edge</li> </ul>
ADC0~ADC7	2 ~ 4, 6 ~ 10	I	<ul style="list-style-type: none"> <li>■ Analog to Digital Converter</li> <li>■ Defined by ADCON (R9)&lt;0:2&gt;</li> </ul>
PWM1, PWM2, PWM3	13, 14, 15	O	<ul style="list-style-type: none"> <li>■ Pulse width modulation outputs</li> <li>■ Defined by PWMCON (IOC80)&lt;5:7&gt;</li> </ul>
VREF	15	I	<ul style="list-style-type: none"> <li>■ External reference voltage for ADC</li> <li>■ Defined by ADCON (R9)&lt;7&gt;</li> </ul>
CIN-, CIN+, CO	20, 1, 2	I I O	<ul style="list-style-type: none"> <li>■ “-“ -&gt; the input pin of Vin- of the comparator</li> <li>■ “+” -&gt; the input pin of Vin+ of the comparator</li> <li>■ Pin CO is the output of the comparator</li> <li>■ Defined by CMPCON (IOCA0) &lt;0:1&gt;</li> </ul>
/RESET	12	I	<ul style="list-style-type: none"> <li>■ General-purpose Input only</li> <li>■ If it remains at logic low, the device will be reset</li> <li>■ Wake-up from sleep mode when pin status changes</li> <li>■ Voltage on /RESET must not exceed Vdd during normal mode</li> </ul>
TCC	19	I	<ul style="list-style-type: none"> <li>■ Real time clock/counter with Schmitt trigger input pin. It must be tied to VDD or VSS if not in use.</li> </ul>
VSS	5	–	Ground.



### 5.3 EM78P419NK/M Pin Description

Symbol	Pin No.	Type	Function
VDD	18	-	Power supply.
OSCI	20	I	<ul style="list-style-type: none"> <li>■ XTAL type Crystal input terminal or external clock input pin</li> <li>■ RC type: RC oscillator input pin</li> </ul>
OSCO	19	O	<ul style="list-style-type: none"> <li>■ XTAL type: Output terminal for crystal oscillator or external clock input pin</li> <li>■ RC type: Clock output with a duration of one instruction cycle time. The prescaler is determined by the CONT register.</li> <li>■ External clock signal input</li> </ul>
P50 ~ P57	13, 15 ~ 17 19 ~ 22,	I/O	<ul style="list-style-type: none"> <li>■ General-purpose I/O pin</li> <li>■ Default value at power-on reset</li> </ul>
P60 ~ P67	4 ~ 6, 8 ~ 12	I/O	<ul style="list-style-type: none"> <li>■ General-purpose I/O pin</li> <li>■ Default value at power-on reset</li> </ul>
P70 ~ P74	3, 2, 1, 24, 23	I/O	<ul style="list-style-type: none"> <li>■ General-purpose I/O pin</li> <li>■ Default value at power-on reset</li> </ul>
INT	13	I	<ul style="list-style-type: none"> <li>■ External interrupt pin triggered by falling edge.</li> </ul>
ADC0 ~ADC7	4 ~ 6, 8 ~ 12	I	<ul style="list-style-type: none"> <li>■ Analog to Digital Converter</li> <li>■ Defined by ADCON (R9)&lt;0:2&gt;</li> </ul>
PWM1, PWM2, PWM3	15, 16, 17	O	<ul style="list-style-type: none"> <li>■ Pulse width modulation outputs</li> <li>■ Defined by PWMCON (IOC80)&lt;5:7&gt;</li> </ul>
VREF	17	I	<ul style="list-style-type: none"> <li>■ External reference voltage for ADC</li> <li>■ Defined by ADCON (R9)&lt;7&gt;.</li> </ul>
CIN-, CIN+, CO	22, 3, 4	I I O	<ul style="list-style-type: none"> <li>■ “-“ → the input pin of Vin- of the comparator</li> <li>■ “+” → the input pin of Vin+ of the comparator</li> <li>■ Pin CO is the output of the comparator</li> <li>■ Defined by CMPCON (IOCA0) &lt;0:1&gt;</li> </ul>
/RESET	14	I	<ul style="list-style-type: none"> <li>■ General-purpose Input only</li> <li>■ If it remains at logic low, the device will be reset</li> <li>■ Wake-up from sleep mode when pin status changes</li> <li>■ Voltage on /RESET must not exceed Vdd during normal mode</li> </ul>
TCC	21	I	<ul style="list-style-type: none"> <li>■ Real time clock/counter with Schmitt trigger input pin. It must be tied to VDD or VSS if not in use.</li> </ul>
VSS	7	-	Ground.

## 6 Function Description

### 6.1 Operational Registers

#### 6.1.1 R0 (Indirect Address Register)

R0 is not a physically implemented register. Its major function is to perform as an indirect address pointer. Any instruction using R0 as a pointer, actually accesses the data pointed by the RAM Select Register (R4).

#### 6.1.2 R1 (Time Clock /Counter)

- Increased by an external signal edge through the TCC pin, or by the instruction cycle clock.
- External signal of TCC trigger pulse width must be greater than one instruction.
- The signals to increase the counter are determined by Bit 4 and Bit 5 of the CONT register.
- Writable and readable as any other registers.

#### 6.1.3 R2 (Program Counter) and Stack

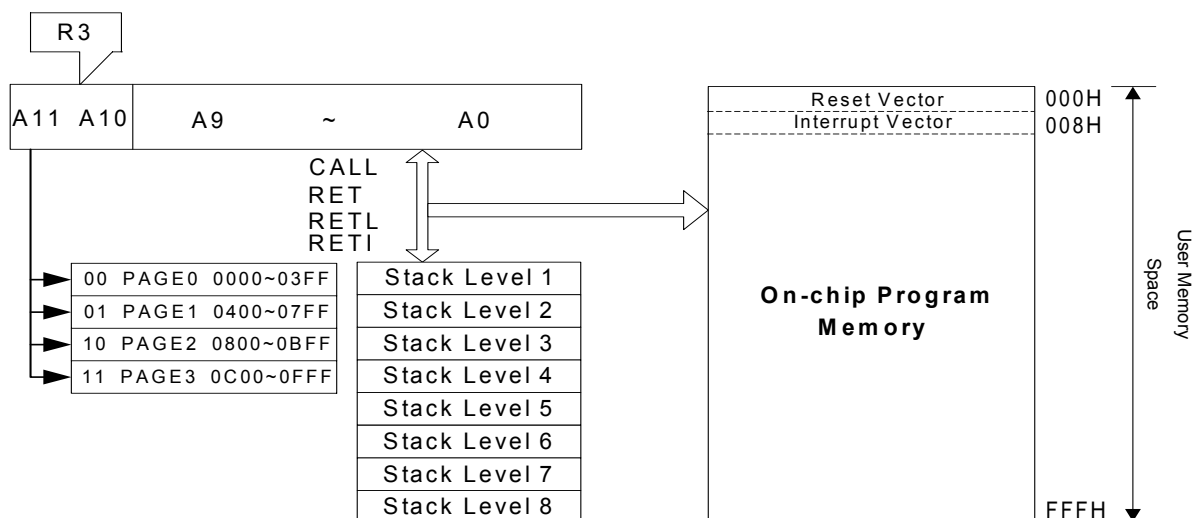


Fig. 6-1 Program Counter Organization

- R2 and hardware stacks are 12-bit wide. The structure is depicted in the table under Section 6.1.3.1 *Data Memory Configuration* (next section).
- Generates 4K×13 bits on-chip ROM addresses to the relative programming instruction codes. One program page is 1024 words long.
- The contents of R2 are all set to "0"s when a RESET condition occurs.



- "JMP" instruction allows direct loading of the lower 10 program counter bits. Thus, "JMP" allows PC to jump to any location within a page.
- "CALL" instruction loads the lower 10 bits of the PC, and then PC+1 is pushed into the stack. Thus, the subroutine entry address can be located anywhere within a page.
- "RET" ("RETL k", "RETI") instruction loads the program counter with the contents of the top of stack.
- "ADD R2, A" allows a relative address to be added to the current PC, and the ninth and above bits of the PC will increase progressively.
- "MOV R2, A" allows loading of an address from the "A" register to the lower 8 bits of the PC, and the ninth and tenth bits (A8 ~ A9) of the PC will remain unchanged.
- Any instruction (except "ADD R2,A") that is written to R2 (e.g., "MOV R2, A", "BC R2, 6",.....) will cause the ninth bit and the tenth bit (A8 ~ A9) of the PC to remain unchanged.
- In the case of EM78P417/8/9N, the most two significant bits (A11 and A10) will be loaded with the content of PS1 and PS0 in the status register (R3) upon execution of a "JMP", "CALL", or any other instructions set which write to R2.
- All instructions are single instruction cycle (fclk/2 or fclk/4) except for the instructions that are written to R2. Note that these instructions need one or two instructions cycle as determined by Code Option Register CYES bit.



**6.1.3.1 Data Memory Configuration**

Address	PAGE Registers				IOC PAGE Registers				IOC PAGE Registers			
00	<b>R0</b> (Indirect Addressing Register)				Reserve				Reserve			
01	<b>R1</b> (Time Clock Counter)				Reserve				Reserve			
02	<b>R2</b> (Program Counter)				Reserve				Reserve			
03	<b>R3</b> (Status Register)				Reserve				Reserve			
04	<b>R4</b> (RAM Select Register)				Reserve				Reserve			
05	<b>R5</b> (Port5)				<b>IOC50</b> (I/O Port Control Register)				<b>IOC51</b> (PRD1: PWM1 time period)			
06	<b>R6</b> (Port6)				<b>IOC60</b> (I/O Port Control Register)				<b>IOC61</b> (PRD2: PWM2 time period)			
07	<b>R7</b> (Port7)				<b>IOC70</b> (I/O Port Control Register)				<b>IOC71</b> (PRD3: PWM3 time period)			
08	<b>R8</b> (ADC Input Select Register)				<b>IOC80</b> (PWM Control Register)				<b>IOC81</b> (DT1L: Duty cycle of PWM1)			
09	<b>R9</b> (ADC Control Register)				<b>IOC90</b> (TIMER Control Register)				<b>IOC91</b> (DT2L: Duty cycle of PWM2)			
0A	<b>RA</b> (ADC Offset Calibration Register)				<b>IOCA0</b> (Comparator Control Register)				<b>IOCA1</b> (DT3L: Duty cycle of PWM3)			
0B	<b>RB</b> (ADDATA: ADC data bit11~bit4)				<b>IOCB0</b> (Pull-down Control Register)				<b>IOCB1</b> (DTH: Duty cycle of PWM)			
0C	<b>RC</b> (ADDATA1H: ADC data bit11~bit8)				<b>IOCC0</b> (Open-drain Control Register)				<b>IOCC1</b> (TIMER1L: PWM1 timer)			
0D	<b>RD</b> (ADDATA1L: ADC data bit7~bit0)				<b>IOCD0</b> (Pull-high Control Register)				<b>IOCD1</b> (TIMER2L: PWM2 timer)			
0E	<b>RE</b> (Wake-up Control Register)				<b>IOCE0</b> (WDT Control Register)				<b>IOCE1</b> (TIMER3L: PWM3 timer)			
0F	<b>RF</b> (Interrupt Status Register)				<b>IOCF0</b> (Interrupt Mask Register)				<b>IOCF1</b> (TMRH: PWM timer)			
10 : 1F	General Registers											
20 : 3F	Bank 0	Bank 1	Bank 2	Bank 3								



### 6.1.4 R3 (Status Register)

7	6	5	4	3	2	1	0
IOCS	PS1	PS0	T	P	Z	DC	C

**Bit 7 (IOCS):** Select the Segment of IO control register.

0 = Segment 0 (IOC50 ~ IOCF0) selected

1 = Segment 1 (IOC51 ~ IOCF1) selected

**Bit 6 ~ Bit 5 (PS1 ~ PS0):** Page select bits. PS0 ~ PS1 are used to select a program memory page. When executing a "JMP," "CALL," or other instructions which cause the program counter to change (e.g., MOV R2, A), PS0 ~ PS1 are loaded into the 11th and 12th bits of the program counter where it selects one of the available program memory pages. Note that RET (RETL, RETI) instruction does not change the PS0~PS1 bits. That is, the return will always be back to the page from where the subroutine was called, regardless of the current PS0 ~ PS1 bits setting.

PS1	PS0	Program Memory Page [Address]
0	0	Page 0 [000-3FF]
0	1	Page 1 [400-7FF]
1	0	Page 2 [800-BFF]
1	1	Page 3 [C00-FFF]

**Bit 4 (T):** Time-out bit. Set to 1 by the "SLEP" and "WDTC" commands, or during power on and reset to 0 by WDT time-out.

**Bit 3 (P):** Power-down bit. Set to 1 during power-on or by a "WDTC" command and reset to 0 by a "SLEP" command.

**NOTE**

*Bit 4 & Bit 3 (T & P) are read only.*

**Bit 2 (Z):** Zero flag. Set to "1" if the result of an arithmetic or logic operation is zero.

**Bit 1 (DC):** Auxiliary carry flag

**Bit 0 (C):** Carry flag

### 6.1.5 R4 (RAM Select Register)

**Bit 7 & Bit 6:** are used to select Banks 0 ~ 3.

**Bit 5 ~ Bit 0:** are used to select registers (address: 00 ~ 3F) in the indirect address mode.

See the table under Section 6.1.3.1 *Data Memory Configuration* for the configuration of the data memory.



### 6.1.6 R5 ~ R7 (Port 5 ~ Port 7)

R5 & R6 are I/O registers.

R7 is I/O registers. The upper 3 bits of R7 are fixed to 0.

### 6.1.7 R8 (AISR: ADC Input Select Register)

The AISR register defines the pins of Port 6 as analog inputs or as digital I/O, individually.

7	6	5	4	3	2	1	0
ADE7	ADE6	ADE5	ADE4	ADE3	ADE2	ADE1	ADE0

**Bit 7 (ADE7):** AD converter enable bit of P67 pin

0 = Disable ADC7, P67 acts as I/O pin

1 = Enable ADC7, acts as analog input pin

**Bit 6 (ADE6):** AD converter enable bit of P66 pin

0 = Disable ADC6, P66 acts as I/O pin

1 = Enable ADC6, acts as analog input pin

**Bit 5 (ADE5):** AD converter enable bit of P65 pin

0 = Disable ADC5, P65 acts as I/O pin

1 = Enable ADC5, acts as analog input pin

**Bit 4 (ADE4):** AD converter enable bit of P64 pin

0 = Disable ADC4, P64 acts as I/O pin

1 = Enable ADC4 acts as analog input pin

**Bit 3 (ADE3):** AD converter enable bit of P63 pin

0 = Disable ADC3, P63 acts as I/O pin

1 = Enable ADC3, acts as analog input pin

**Bit 2 (ADE2):** AD converter enable bit of P62 pin

0 = Disable ADC2, P62 acts as I/O pin

1 = Enable ADC2, acts as analog input pin

**Bit 1 (ADE1):** AD converter enable bit of P61 pin

0 = Disable ADC1, P61 acts as I/O pin

1 = Enable ADC1, acts as analog input pin

**Bit 0 (ADE0):** AD converter enable bit of P60 pin.

0 = Disable ADC0, P60 acts as I/O pin

1 = Enable ADC0, acts as analog input pin

**NOTE**

Note the pin priority of the COS1 and COS0 bits of IOCA0 Control register when P60/ADE0 acts as analog input or as digital I/O. The Comparator/OP select bits are as shown in a table under Section 6.2.6, IOCA0 (CMPCON: Comparator Control Register). The P60/ADE0/CO pin priority is as follows:

P60/ADE0/CO PRIORITY		
High	Medium	Low
CO	ADE0	P60

**6.1.8 R9 (ADCON: ADC Control Register)**

7	6	5	4	3	2	1	0
VREFS	CKR1	CKR0	ADRUN	ADPD	ADIS2	ADIS1	ADIS0

**Bit 7 (VREFS):** The input source of the Vref of the ADC

- 0 = The Vref of the ADC is connected to Vdd (default value), and the P53/VREF pin carries out the function of P53
- 1 = The Vref of the ADC is connected to P53/VREF

**NOTE**

The P53/PWM3/VREF pin cannot be applied to PWM3 and VREF at the same time. If P53/PWM3/VREF acts as VREF analog input pin, then PWM3E must be "0". The P53/PWM3/VREF pin priority is as follows:

P53/PWM3/VREF PIN PRIORITY		
High	Medium	Low
VREF	PWM3	P53

**Bit 6 & Bit 5 (CKR1 & CKR0):** The prescaler of oscillator clock rate of ADC

- 00 = 1: 4 (default value)
- 01 = 1: 16
- 10 = 1: 64
- 11 = 1: WDT ring oscillator frequency

CKR0:CKR1	Operation Mode	Max. Operation Frequency
00	Fsco/4	1 MHz
01	Fsco/16	4 MHz
10	Fsco/64	16MHz
11	Internal RC	-



**Bit 4 (ADRUN):** ADC starts to RUN.

0 = Reset upon completion of the conversion. This bit **cannot** be reset through software

1 = an AD conversion is started. This bit can be set by software

**Bit 3 (ADPD):** ADC Power-down mode

0 = Switch off the resistor reference to save power even while the CPU is operating

1 = ADC is operating

**Bit 2 ~ Bit 0 (ADIS2 ~ADIS0):** Analog Input Select

000 = ADIN0/P60

001 = ADIN1/P61

010 = ADIN2/P62

011 = ADIN3/P63

100 = ADIN4/P64

101 = ADIN5/P65

110 = ADIN6/P66

111 = ADIN7/P67

These bits can only be changed when the ADIF bit (see Section 6.1.14) and the ADRUN bit are both LOW.

### 6.1.9 RA (ADOC: ADC Offset Calibration Register)

7	6	5	4	3	2	1	0
CALI	SIGN	VOF[2]	VOF[1]	VOF[0]	"0"	"0"	"0"

**Bit 7 (CALI):** Calibration enable bit for ADC offset

0 = Calibration disable

1 = Calibration enable

**Bit 6 (SIGN):** Polarity bit of offset voltage

0 = Negative voltage

1 = Positive voltage

**Bit 5 ~ Bit 3 (VOF[2] ~ VOF[0]):** Offset voltage bits

VOF[2]	VOF[1]	VOF[0]	EM78P417/8/9N	ICE418N
0	0	0	0LSB	0LSB
0	0	1	2LSB	1LSB
0	1	0	4LSB	2LSB
0	1	1	6LSB	3LSB
1	0	0	8LSB	4LSB
1	0	1	10LSB	5LSB
1	1	0	12LSB	6LSB
1	1	1	14LSB	7LSB



Bit 2 ~ Bit 0: Unimplemented, read as '0'

#### 6.1.10 RB (ADDATA: Converted Value of ADC)

7	6	5	4	3	2	1	0
AD11	AD10	AD9	AD8	AD7	AD6	AD5	AD4

When the AD conversion is completed, the result is loaded into the ADDATA. The ADRUN bit is cleared, and the ADIF (see Section 6.1.14) is set.

RB is read only.

#### 6.1.11 RC (ADDATA1H: Converted Value of ADC)

7	6	5	4	3	2	1	0
"0"	"0"	"0"	"0"	AD11	AD10	AD9	AD8

When the AD conversion is completed, the result is loaded into the ADDATA1H. The ADRUN bit is cleared, and the ADIF (see Section 6.1.14) is set.

RC is read only.

#### 6.1.12 RD (ADDATA1L: Converted Value of ADC)

7	6	5	4	3	2	1	0
AD7	AD6	AD5	AD4	AD3	AD2	AD1	AD0

When the AD conversion is completed, the result is loaded into the ADDATA1L. The ADRUN bit is cleared, and the ADIF (see Section 6.1.14) is set.

RD is read only

#### 6.1.13 RE (WUCR: Wake-Up Control Register)

	7	6	5	4	3	2	1	0
EM78P417/8/9N	"0"	"0"	"0"	"0"	ADWE	CMPWE	ICWE	"0"
ICE418N Simulator	C3	C2	C1	C0	ADWE	CMPWE	ICWE	"0"

Bit 7 ~ Bit 4:

[With EM78P417/8/9N]: Unimplemented, read as '0'.

[With Simulator (C3~C0)]: are IRC calibration bits in IRC oscillator mode. Under IRC oscillator mode of ICE418N simulator, these are the IRC calibration bits of IRC oscillator mode.

C3	C2	C1	C0	Frequency (MHz)
0	0	0	0	(1-36%) x F
0	0	0	1	(1-31.5%) x F
0	0	1	0	(1-27%) x F
0	0	1	1	(1-22.5%) x F
0	1	0	0	(1-18%) x F
0	1	0	1	(1-13.5%) x F
0	1	1	0	(1-9%) x F
0	1	1	1	(1-4.5%) x F
1	1	1	1	F (default)
1	1	1	0	(1+4.5%) x F
1	1	0	1	(1+9%) x F
1	1	0	0	(1+13.5%) x F
1	0	1	1	(1+18%) x F
1	0	1	0	(1+22.5%) x F
1	0	0	1	(1+27%) x F
1	0	0	0	(1+31.5%) x F

1. Frequency values shown are theoretical and taken from an instance of a high frequency mode. Hence are shown for reference only. Definite values will depend on the actual process.
2. Similar way of calculation is also applicable to low frequency mode.

**Bit 3 (ADWE):** ADC wake-up enable bit  
0 = Disable ADC wake-up  
1 = Enable ADC wake-up

When the ADC Complete is used to enter interrupt vector or to wake-up EM78P417/8/9N from sleep with AD conversion running, the ADWE bit must be set to "Enable".

**Bit 2 (CMPWE):** Comparator wake-up enable bit  
0 = Disable Comparator wake-up  
1 = Enable Comparator wake-up

When the Comparator output status change is used to enter interrupt vector or to wake-up EM78P418/9N from sleep, the CMPWE bit must be set to "Enable".

**Bit 1 (ICWE):** Port 6 input change to wake-up status enable bit  
0 = Disable Port 6 input change to wake-up status  
1 = Enable Port 6 input change wake-up status

When the Port 6 Input Status Change is used to enter interrupt vector or to wake-up EM78P417/8/9N from sleep, the ICWE bit must be set to "Enable".

**Bit 0:** Not implemented, read as '0'

### 6.1.14 RF (Interrupt Status Register)

7	6	5	4	3	2	1	0
CMPIF	PWM3IF	PWM2IF	PWM1IF	ADIF	EXIF	ICIF	TCIF

**NOTE**

- "1" means interrupt request; "0" means no interrupt occurs.
- RF can be cleared by instruction but cannot be set.
- IOCF0 is the interrupt mask register.
- Reading RF will result to "logic AND" of RF and IOCF0.

**Bit 7 (CMPIF):** Comparator interrupt flag. Set when a change occurs in the output of Comparator. Reset by software.

**Bit 6 (PWM3IF):** PWM3 (Pulse Width Modulation) interrupt flag. Set when a selected duration is reached. Reset by software.

**Bit 5 (PWM2IF):** PWM2 (Pulse Width Modulation) interrupt flag. Set when a selected duration is reached. Reset by software.

**Bit 4 (PWM1IF):** PWM1 (Pulse Width Modulation) interrupt flag. Set when a selected duration is reached. Reset by software.

**Bit 3 (ADIF):** Interrupt flag for analog to digital conversion. Set when AD conversion is completed. Reset by software.

**Bit 2 (EXIF):** External interrupt flag. Set by falling edge on /INT pin. Reset by software.

**Bit 1 (ICIF):** Port 6 input status change interrupt flag. Set when Port 6 input changes. Reset by software.

**Bit 0 (TCIF):** TCC overflow interrupt flag. Set when TCC overflows. Reset by software.

### 6.1.15 R10 ~ R3F

All of these are 8-bit general-purpose registers.



## 6.2 Special Purpose Registers

### 6.2.1 A (Accumulator)

Internal data transfer, or instruction operand holding. It **cannot** be addressed.

### 6.2.2 CONT (Control Register)

7	6	5	4	3	2	1	0
INTE	INT	TS	TE	PSTE	PST2	PST1	PST0

**Bit 7 (INTE):** INT signal edge

- 0 = interrupt occurs at the rising edge on the INT pin
- 1 = interrupt occurs at the falling edge on the INT pin

**Bit 6 (INT):** Interrupt enable flag

- 0 = masked by DISI or hardware interrupt
- 1 = enabled by the ENI/RETI instructions

This bit is readable only.

**Bit 5 (TS):** TCC signal source

- 0 = internal instruction cycle clock. If P56 is used as I/O pin, TS must be 0.
- 1 = transition on the TCC pin

**Bit 4 (TE):** TCC signal edge

- 0 = increment if the transition from low to high takes place on the TCC pin
- 1 = increment if the transition from high to low takes place on the TCC pin.

**Bit 3 (PSTE):** Prescaler enable bit for TCC

- 0 = prescaler disable bit. TCC rate is 1:1.
- 1 = prescaler enable bit. TCC rate is set as Bit 2 ~ Bit 0.

**Bit 2 ~ Bit 0 (PST2 ~ PST0):** TCC prescaler bits

PST2	PST1	PST0	TCC Rate
0	0	0	1:2
0	0	1	1:4
0	1	0	1:8
0	1	1	1:16
1	0	0	1:32
1	0	1	1:64
1	1	0	1:128
1	1	1	1:256



**NOTE**

*Tcc timeout period [1/Fosc x prescaler x 256 (Tcc cnt) x 1 (CLK=2)]*  
*Tcc timeout period [1/Fosc x prescaler x 256 (Tcc cnt) x 2 (CLK=4)]*

### 6.2.3 IOC50 ~ IOC70 (I/O Port Control Register)

"1" puts the relative I/O pin into high impedance, while "0" defines the relative I/O pin as output.

IOC50, IOC60, and IOC70 registers are all readable and writable.

**NOTE**

*Using EM78P417N and EM78P418N type bit9 of the code option register (word0) must set to "1". Using EM78P417N type must set extra bit7 of IOC50 and bit0 of IOC70 to "0". Then pin status set to "0". Following the rules will have no addition power consumption.*

### 6.2.4 IOC80 (PWMCON: PWM Control Register)

7	6	5	4	3	2	1	0
PWM3E	PWM2E	PWM1E	"0"	T1EN	T1P2	T1P1	T1P0

**Bit 7 (PWM3E):** PWM3 enable bit

0 = PWM3 is off (default value), and its related pin carries out the P53 function.

1 = PWM3 is on, and its related pin is automatically set to output.

**NOTE**

*The P53/PWM3/VREF pin cannot be applied to PWM3 and VREF at the same time. IF P53/PWM3/VREF acts as VREF analog input pin, then PWM3E must be "0"..*  
*The P53/PWM3/VREF pin priority is as follows:*

P53/PWM3/VREF PIN PRIORITY		
High	Medium	Low
VREF	PWM3	P53

**Bit 6 (PWM2E):** PWM2 enable bit

0 = PWM2 is off (default value), and its related pin carries out the P52 function.

1 = PWM2 is on, and its related pin is automatically set to output.



**Bit 5 (PWM1E):** PWM1 enable bit

0 = PWM1 is off (default value), and its related pin carries out the P51 function;

1 = PWM1 is on, and its related pin is automatically set to output.

**Bit 4:** Unimplemented, read as '0'

**Bit 3 (T1EN):** TMR1 enable bit

0 = TMR1 is off (default value)

1 = TMR1 is on

**Bit 2 ~ Bit 0 (T1P2 ~ T1P0):** TMR1 clock prescale option bits

T1P2	T1P1	T1P0	Prescale
0	0	0	1:2 (default)
0	0	1	1:4
0	1	0	1:8
0	1	1	1:16
1	0	0	1:32
1	0	1	1:64
1	1	0	1:128
1	1	1	1:256

### 6.2.5 IOC90 (TMRCON: TIMER Control Register)

7	6	5	4	3	2	1	0
T3EN	T2EN	T3P2	T3P1	T3P0	T2P2	T2P1	T2P0

**Bit 7 (T3EN):** TMR3 enable bit

0 = TMR3 is off (default value)

1 = TMR3 is on

**Bit 6 (T2EN):** TMR2 enable bit

0 = TMR2 is off (default value)

1 = TMR2 is on

**Bit 5 ~ Bit 3 (T3P2 ~ T3P0):** TMR3 clock prescale option bits

T3P2	T3P1	T3P0	Prescale
0	0	0	1:2(default)
0	0	1	1:4
0	1	0	1:8
0	1	1	1:16
1	0	0	1:32
1	0	1	1:64
1	1	0	1:128
1	1	1	1:256

**Bit 2: Bit 0 ( T2P2:T2P0 ):** TMR2 clock prescale option bits

T2P2	T2P1	T2P0	Prescale
0	0	0	1:2(default)
0	0	1	1:4
0	1	0	1:8
0	1	1	1:16
1	0	0	1:32
1	0	1	1:64
1	1	0	1:128
1	1	1	1:256

### 6.2.6 IOCA0 (CMPCON: Comparator Control Register)

7	6	5	4	3	2	1	0
"0"	"0"	"0"	"0"	"0"	CPOUT	COS1	COS0

**Bit 7 ~ Bit 3:** Unimplemented, read as '0'

**Bit 2 (CPOUT):** the result of the comparator output

**Bit 1 ~ Bit 0 (COS1 ~ COS0):** Comparator/OP Select bits

COS1	COS0	Function Description
0	0	Comparator and OP not used. P60 acts as normal I/O pin
0	1	Acts as Comparator and P60 acts as normal I/O pin
1	0	Acts as Comparator and P60 acts as Comparator output pin (CO)
1	1	Acts as OP and P60 acts as OP output pin (CO)

#### NOTE

- The CO and ADE0 of the P60/ADE0/CO pins cannot be used at the same time.
- The P60/ADE0/CO pin priority is as follows:

P60/ADE0/CO PRIORITY		
High	Medium	Low
CO	ADE0	P60

### 6.2.7 IOCB0 (Pull-Down Control Register)

7	6	5	4	3	2	1	0
/PD7	/PD6	/PD5	/PD4	/PD3	/PD2	/PD1	/PD0

**IOCB0** register is both readable and writable

**Bit 7 (/PD7):** Control bit is used to enable the pull-down of the P67 pin

0 = Enable internal pull-down

1 = Disable internal pull-down



- Bit 6 (/PD6):** Control bit is used to enable the pull-down of the P66 pin
- Bit 5 (/PD5):** Control bit is used to enable the pull-down of the P65 pin
- Bit 4 (/PD4):** Control bit is used to enable the pull-down of the P64 pin
- Bit 3 (/PD3):** Control bit is used to enable the pull-down of the P63 pin
- Bit 2 (/PD2):** Control bit is used to enable the pull-down of the P62 pin
- Bit 1 (/PD1):** Control bit is used to enable the pull-down of the P61 pin
- Bit 0 (/PD0):** Control bit is used to enable the pull-down of the P60 pin.

### 6.2.8 IOCC0 (Open-Drain Control Register)

7	6	5	4	3	2	1	0
/OD7	/OD6	/OD5	/OD4	/OD3	/OD2	/OD1	/OD0

IOCC0 register is both readable and writable.

- Bit 7 (OD7):** Control bit is used to enable the open-drain of the P57 pin.  
 0 = Enable open-drain output  
 1 = Disable open-drain output
- Bit 6 (OD6):** Control bit is used to enable the open-drain of the P56 pin.
- Bit 5 (OD5):** Control bit is used to enable the open-drain of the P55 pin.
- Bit 4 (OD4):** Control bit is used to enable the open-drain of the P54 pin.
- Bit 3 (OD3):** Control bit is used to enable the open-drain of the P53 pin.
- Bit 2 (OD2):** Control bit is used to enable the open-drain of the P52 pin.
- Bit 1 (OD1):** Control bit is used to enable the open-drain of the P51 pin.
- Bit 0 (OD0):** Control bit is used to enable the open-drain of the P50 pin.

### 6.2.9 IOCD0 (Pull-high Control Register)

7	6	5	4	3	2	1	0
/PH7	/PH6	/PH5	/PH4	/PH3	/PH2	/PH1	/PH0

IOCD0 register is both readable and writable.

- Bit 7 (/PH7):** Control bit is used to enable the pull-high of the P67 pin.  
 0 = Enable internal pull-high;  
 1 = Disable internal pull-high.
- Bit 6 (/PH6):** Control bit is used to enable the pull-high of the P66 pin.
- Bit 5 (/PH5):** Control bit is used to enable the pull-high of the P65 pin.
- Bit 4 (/PH4):** Control bit is used to enable the pull-high of the P64 pin.

**Bit 3 (/PH3):** Control bit is used to enable the pull-high of the P53 pin.

**Bit 2 (/PH2):** Control bit is used to enable the pull-high of the P52 pin.

**Bit 1 (/PH1):** Control bit is used to enable the pull-high of the P51 pin.

**Bit 0 (/PH0):** Control bit is used to enable the pull-high of the P50 pin.

**6.2.10 IOCE0 (WDT Control Register)**

<b>7</b>	<b>6</b>	<b>5</b>	<b>4</b>	<b>3</b>	<b>2</b>	<b>1</b>	<b>0</b>
WDTE	EIS	PSWE	PSW2	PSW1	PSW0	"0"	"0"

**Bit 7 (WDTE):** Control bit is used to enable Watchdog Timer

0 = Disable WDT

1 = Enable WDT

WDTE is both readable and writable

**Bit 6 (EIS):** Control bit is used to define the function of the P50 (/INT) pin

0 = P50, normal I/O pin

1 = /INT, external interrupt pin. In this case, the I/O control bit of P50 (Bit 0 of IOC50) must be set to "1"

**NOTE**

- When EIS is "0," the path of /INT is masked. When EIS is "1," the status of /INT pin can also be read by way of reading Port 5 (R5). Refer to Fig. 6-4 (I/O Port and I/O Control Register Circuit for P50(/INT)) under Section 6.4 (I/O Ports).
- EIS is both readable and writable.

**Bit 5 (PSWE):** Prescaler enable bit for WDT

0 = prescaler disable bit. WDT rate is 1:1

1 = prescaler enable bit. WDT rate is set as Bit4~Bit2

**Bit 4 ~ Bit 2 (PSW2 ~ PSW0):** WDT prescaler bits.

PSW2	PSW1	PSW0	WDT Rate
0	0	0	1:2
0	0	1	1:4
0	1	0	1:8
0	1	1	1:16
1	0	0	1:32
1	0	1	1:64
1	1	0	1:128
1	1	1	1:256

**Bit 1 ~ Bit 0:** Unimplemented, read as '0'



### 6.2.11 IOCF0 (Interrupt Mask Register)

7	6	5	4	3	2	1	0
CMPIE	PWM3IE	PWM2IE	PWM1IE	ADIE	EXIE	ICIE	TCIE

**NOTE**

- IOCF0 register is both readable and writable
- Individual interrupt is enabled by setting its associated control bit in the IOCF0 to "1."
- Global interrupt is enabled by the ENI instruction and is disabled by the DISI instruction. Refer to Fig. 6-8 (Interrupt Input Circuit) under Section 6.6 (Interrupt).

- Bit 7 (CMPIE):** CMPIF interrupt enable bit  
 0 = Disable CMPIF interrupt  
 1 = Enable CMPIF interrupt  
 When the Comparator output status change is used to enter interrupt vector or to enter next instruction, the CMPIE bit must be set to "Enable."
- Bit 6 (PWM3IE):** PWM3IF interrupt enable bit  
 0 = Disable PWM3 interrupt  
 1 = Enable PWM3 interrupt
- Bit 5 (PWM2IE):** PWM2IF interrupt enable bit  
 0 = Disable PWM2 interrupt  
 1 = Enable PWM2 interrupt
- Bit 4 (PWM1IE):** PWM1IF interrupt enable bit  
 0 = Disable PWM1 interrupt  
 1 = Enable PWM1 interrupt
- Bit 3 (ADIE):** ADIF interrupt enable bit  
 0 = Disable ADIF interrupt  
 1 = Enable ADIF interrupt  
 When the ADC Complete is used to enter interrupt vector or to enter next instruction, the ADIE bit must be set to "Enable."
- Bit 2 (EXIE):** EXIF interrupt enable bit  
 0 = Disable EXIF interrupt  
 1 = Enable EXIF interrupt
- Bit 1 (ICIE):** ICIF interrupt enable bit  
 0 = Disable ICIF interrupt  
 1 = Enable ICIF interrupt  
 If Port6 Input Status Change Interrupt is used to enter interrupt vector or to enter next instruction, the ICIE bit must be set to "Enable."



**Bit 0 (TCIE):** TCIF interrupt enable bit.  
0 = Disable TCIF interrupt  
1 = Enable TCIF interrupt

### 6.2.12 IOC51 (PRD1: PWM1 Time Period)

The content of IOC51 is the time period (time base) of PWM1. The frequency of PWM1 is the reverse of the period.

### 6.2.13 IOC61 (PRD2: PWM2 Time Period)

The content of IOC61 is the time period (time base) of PWM2. The frequency of PWM2 is the reverse of the period.

### 6.2.14 IOC71 (PRD3: PWM3 Time Period)

The content of IOC71 is the time period (time base) of PWM3. The frequency of PWM3 is the reverse of the period.

### 6.2.15 IOC81 (DT1L: the Least Significant Byte (Bit 7 ~ Bit 0) of PWM1 Duty Cycle)

A specified value keeps the output of PWM1 to stay high until the value matches with TMR1.

### 6.2.16 IOC91 (DT2L: the Least Significant Byte (Bit 7 ~ Bit 0) of PWM2 Duty Cycle)

A specified value keeps the output of PWM2 to stay high until the value matches with TMR2.

### 6.2.17 IOCA1 (DT3L: the Least Significant Byte (Bit 7 ~ Bit 0) of PWM3 Duty Cycle)

A specified value keeps the output of PWM3 to stay high until the value matches with TMR3.

### 6.2.18 IOCB1 (DTH: the Most Significant Bits of PWM Duty Cycle)

7	6	5	4	3	2	1	0
"0"	"0"	PWM3[9]	PWM3[8]	PWM2[9]	PWM2[8]	PWM1[9]	PWM1[8]

**Bit 7 & Bit 6:** Unimplemented, read as '0'.

**Bit 5 & Bit 4 (PWM3[9], PWM3[8]):** The Most Significant Bits of PWM3 Duty Cycle.

**Bit 3 & Bit 2 (PWM2[9], PWM2[8]):** The Most Significant Bits of PWM2 Duty Cycle.

**Bit 1 & Bit 0 (PWM1[9], PWM1[8]):** The Most Significant Bits of PWM1 Duty Cycle.



**6.2.19 IOCC1 (TMR1L: the Least Significant Byte (Bit 7 ~ Bit 0) of PWM1 Timer)**

The content of IOCC1 is read-only.

**6.2.20 IOCD1 (TMR2L: the Least Significant Byte (Bit 7 ~ Bit 0) of PWM2 Timer)**

The content of IOCD1 is read-only.

**6.2.21 IOCE1 (TMR3L: the Least Significant Byte (Bit 7 ~ Bit 0) of PWM3 Timer)**

The content of IOCE1 is read-only.

**6.2.22 IOCF1 (TMRH: the Most Significant Bits of PWM Timer)**

7	6	5	4	3	2	1	0
"0"	"0"	TMR3[9]	TMR3[8]	TMR2[9]	TMR2[8]	TMR1[9]	TMR1[8]

The content of IOCF1 is read-only.

**Bit 7 & Bit 6:** Unimplemented, read as '0'.

**Bit 5 & Bit 4 (TMR3[9], TMR3[8]):** The Most Significant Bits of PWM1Timer

**Bit 3 & Bit 2 (TMR2[9], TMR2[8]):** The Most Significant Bits of PWM2Timer

**Bit 1 & Bit 0 (TMR1[9], TMR1[8]):** The Most Significant Bits of PWM3Timer

**6.3 TCC/WDT and Prescaler**

There are two 8-bit counters available as prescalers for the TCC and WDT respectively. The PST0 ~ PST2 bits of the CONT register are used to determine the ratio of the TCC prescaler, and the PWR0 ~ PWR2 bits of the IOCE0 register are used to determine the prescaler of WDT. The prescaler counter is cleared by the instructions each time such instructions are written into TCC. The WDT and prescaler will be cleared by the "WDTC" and "SLEP" instructions. Fig. 6-2 (next page) depicts the block diagram of TCC/WDT.

TCC (R1) is an 8-bit timer/counter. The TCC clock source can be internal clock or external signal input (edge selectable from the TCC pin). If TCC signal source is from internal clock, TCC will increase by 1 at every instruction cycle (without prescaler). Referring to Fig. 6-2, CLK=Fosc/2 or CLK=Fosc/4 is dependent to the CODE Option bit <CLKS>. CLK=Fosc/2 if the CLKS bit is "0," and CLK=Fosc/4 if the CLKS bit is "1." If TCC signal source is from external clock input, TCC will increase by 1 at every falling edge or rising edge of the TCC pin. TCC pin input time length (kept in High or Low level) must be greater than 1CLK.

**NOTE**

*The internal TCC will stop running when sleep mode occurs. However, during AD conversion, when TCC is set to "SLEP" instruction, if the ADWE bit of RE register is enabled, the TCC will keep on running*



The watchdog timer is a free running on-chip RC oscillator. The WDT will keep on running even when the oscillator driver has been turned off (i.e., in sleep mode). During normal operation or sleep mode, a WDT time-out (if enabled) will cause the device to reset. The WDT can be enabled or disabled at any time during normal mode through software programming. Refer to WDTE bit of IOCE0 register (Section 6.2.10 *IOCE0 (WDT Control Register)*). With no prescaler, the WDT time-out duration is approximately 18ms.<sup>1</sup>

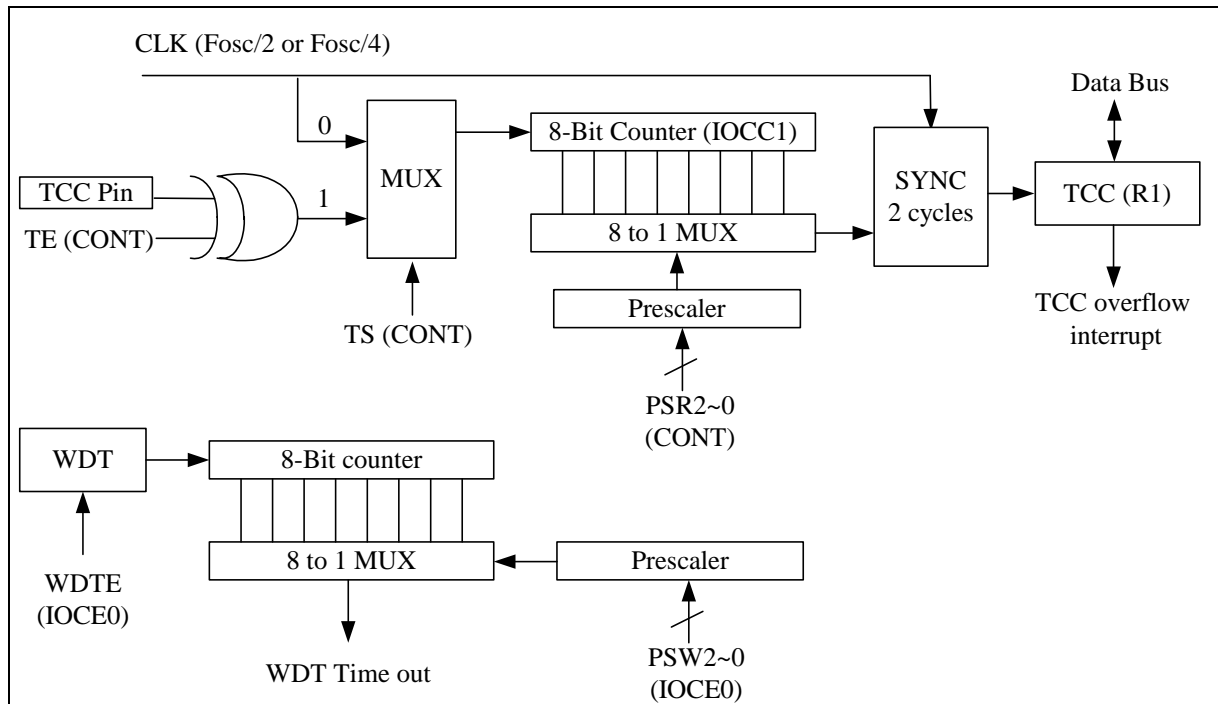


Fig. 6-2 TCC and WDT Block Diagram

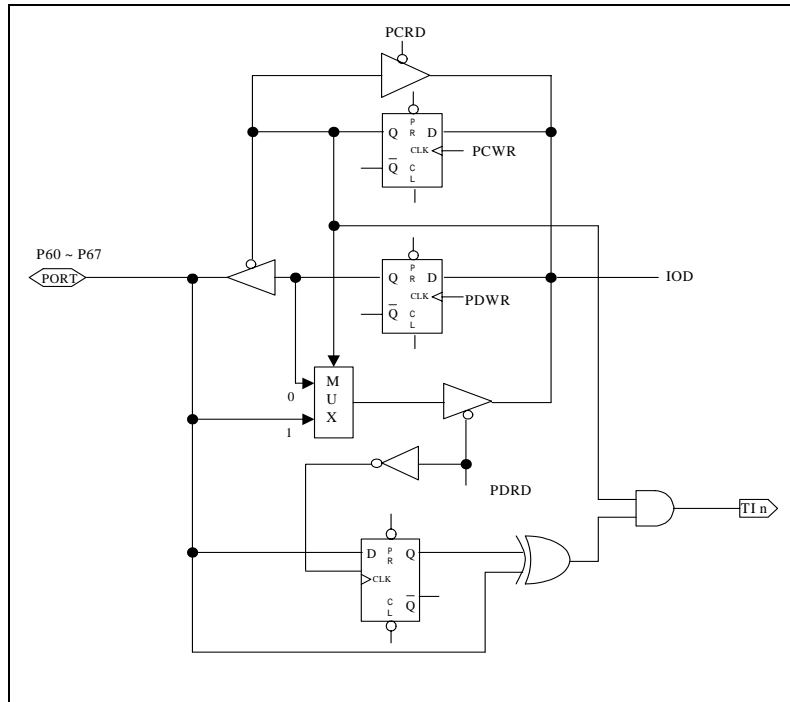
## 6.4 I/O Ports

The I/O registers (Port 5, Port 6, Port7) are bi-directional tri-state I/O ports. The Pull-high, Pull-down, and Open-drain functions can be set internally by IOCB0, IOCC0, and IOCD0 respectively. Port 6 features an input status change interrupt (or wake-up) function. Each I/O pin can be defined as "input" or "output" pin by the I/O control registers (IOC50 ~ IOC70). The I/O registers and I/O control registers are both readable and writable. The I/O interface circuits for Port 5, Port 6, and Port7 are illustrated in Figures 6-3, 6-4, & 6-5 respectively (see next page). Port 6 with Input Change Interrupt/Wake-up is shown in Fig. 6-6.

<sup>1</sup> VDD=5V, Setup time period = 16.5ms ± 30%.

VDD=3V, Setup time period = 18ms ± 30%.





NOTE: Pull-high (down) and Open-drain are not shown in the figure.

Fig. 6-5 I/O Port and I/O Control Register Circuit for Port 6

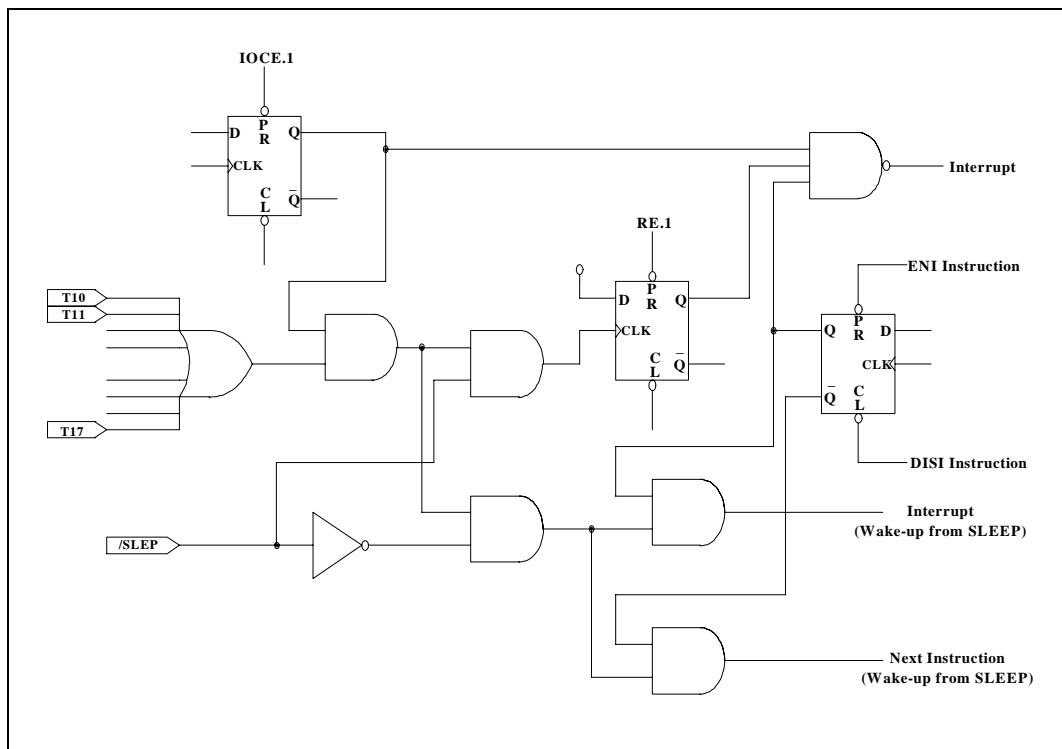


Fig. 6-6 Port 6 Block Diagram with Input Change Interrupt/Wake-up



### 6.4.1 Usage of Port 6 Input Change Wake-up/Interrupt Function

<b>(1) Wake-up</b>	<b>(2) Wake-up and Interrupt</b>
(a) Before SLEEP	(a) Before SLEEP
1. Disable WDT	1. Disable WDT
2. Read I/O Port 6 (MOV R6,R6)	2. Read I/O Port 6 (MOV R6,R6)
3. Execute "ENI" or "DISI"	3. Execute "ENI" or "DISI"
4. Enable wake-up bit (Set RE ICWE =1)	4. Enable wake-up bit (Set RE ICWE =1)
5. Execute "SLEP" instruction	5. Enable interrupt (Set IOCF0 ICIE =1)
(b) After wake-up	6. Execute "SLEP" instruction
→ Next instruction	(b) After wake-up
	1. IF "ENI" → Interrupt vector (008H)
	2. IF "DISI" → Next instruction
<b>(3) Interrupt</b>	
(a) Before Port 6 pin change	
1. Read I/O Port 6 (MOV R6,R6)	
2. Execute "ENI" or "DISI"	
3. Enable interrupt (Set IOCF0 ICIE =1)	
(b) After Port 6 pin changed (interrupt)	
1. IF "ENI" → Interrupt vector (008H)	
2. IF "DISI" → Next instruction	

## 6.5 RESET and Wake-up

### 6.5.1 RESET and Wake-up Operation

A RESET is initiated by one of the following events:

1. Power-on reset
2. /RESET pin input "low"
3. WDT time-out (if enabled).

A device is kept in a RESET condition for the duration of approximately 18ms.<sup>2</sup> after the reset is detected. When in LXT mode, the reset time is 500ms. Once RESET occurs, the following functions are performed (the initial address is 000h):

- The oscillator continues running, or will be started (if under sleep mode)
- The Program Counter (R2) is set to all "0"
- All I/O port pins are configured as input mode (high-impedance state)
- The Watchdog Timer and prescaler are cleared
- When power is switched on, the upper 3 bits of R3 and upper 2 bits of R4 are cleared
- The CONT register bits are set to all "1" except for the Bit 6 (INT flag)

<sup>2</sup> VDD=5V, WDT Time-out period = 16.5ms ± 30%.  
VDD=3V, WDT Time-out period = 18ms ± 30%.



- The IOCB0 register bits are set to all "1"
- The IOCC0 register bits are set to all "1"
- The IOCD0 register bits are set to all "1"
- Bit 7 of the IOCE0 register is set to "1", and Bit 6~0 are cleared
- Bits 0~6 of RF register and bits 0~6 of IOCF0 register are cleared

Executing the "SLEP" instruction will assert the sleep (power down) mode. While entering sleep mode, the Oscillator, TCC, TIMER1, TIMER2, and TIMER3 are stopped. The WDT (if enabled) is cleared but keeps on running.

The controller can be awakened by-

Case 1 External reset input on /RESET pin

Case 2 WDT time-out (if enabled)

Case 3 Port 6 input status changes (if ICWE is enabled)

Case 4 Comparator output status changes (if CMPWE is enabled)

Case 5 AD conversion completed (if ADWE enable).

The first two cases (1 & 2) will cause the EM78P417/8/9N to reset. The T and P flags of R3 can be used to determine the source of the reset (wake-up). Cases 3, 4, & 5 are considered the continuation of program execution and the global interrupt ("ENI" or "DISI" being executed) decides whether or not the controller branches to the interrupt vector following wake-up. If ENI is executed before SLEP, the instruction will begin to execute from address 0x8 after wake-up. If DISI is executed before SLEP, the execution will restart from the instruction next to SLEP after wake-up. All sleep mode wake up time is 150µs, no matter what the oscillator type or mode is (except when it's in low XTAL mode). Under low XATL mode, wake up time is 500ms.

Only one of the Cases 1 to 5 can be enabled before entering into sleep mode. That is:

Case [a] If WDT is enabled before SLEP, all of the RE bit is disabled. Hence, the EM78P417/8/9N can be awoken only with Case 1 or Case 2. Refer to the section on Interrupt (Section 6.6) for further details.

Case [b] If Port 6 Input Status Change is used to wake -up EM78P417/8/9N and ICWE bit of RE register is enabled before SLEP, WDT must be disabled. Hence, the EM78P417/8/9N can be awoken only with Case 3. Wake-up time is dependent on oscillator mode. Under RC mode the reset time is 32 clocks (for oscillator stables).

In High XTAL mode, reset time is 2ms and 32clocks(for oscillator stables); and in low XTAL mode, the reset time is 500ms.



Case [c] If Comparator output status change is used to wake-up EM78P418/9N and CMPWE bit of RE register is enabled before SLEP, WDT must be disabled by software. Hence, the EM78P418/9N can be awoken only with Case 4.

Wake-up time is dependent on oscillator mode. Under RC mode the reset time is 32 clocks (for oscillator stables). In High XTAL mode, reset time is 2ms and 32 clocks (for oscillator stables); and in low XTAL mode, the reset time is 500ms.

Case [d] If AD conversion completed is used to wake-up EM78P417/8/9N and ADWE bit of RE register is enabled before SLEP, WDT must be disabled by software. Hence, the EM78P417/8/9N can be awoken only with Case 5. The wake-up time is 15 TAD (ADC clock period).

If Port 6 Input Status Change Interrupt is used to wake up the EM78P417/8/9N (as in Case b above), the following instructions must be executed before SLEP:

```
BC          R3, 7           ; Select Segment 0
MOV         A, @001110xxb  ; Select WDT prescaler and Disable WDT
IOW        IOCE0
WDTC
MOV         R6, R6         ; Read Port 6
ENI (or DISI)           ; Enable (or disable) global interrupt
MOV         A, @00000x1xb  ; Enable Port 6 input change wake-up bit
MOV         RE
MOV         A, @00000x1xb  ; Enable Port 6 input change interrupt
IOW        IOCF0
SLEP                          ; Sleep
```

Similarly, if the Comparator Interrupt is used to wake up the EM78P418/9N (as in Case [c] above), the following instructions must be executed before SLEP:

```
BC          R3, 7           ; Select Segment 0
MOV         A, @xxxxxxx10b ; Select an comparator and P60 act as CO pin
IOW        IOCA0
MOV         A, @001110xxb  ; Select WDT prescaler and Disable WDT
IOW        IOCE0
WDTC
ENI (or DISI)           ; Enable (or disable) global interrupt
MOV         A, @000001xxb  ; Enable comparator output status change wake-up bit
MOV         RE
MOV         A, @000001xxb  ; Enable comparator output status change interrupt
IOW        IOCF0
SLEP                          ; Sleep
```



### 6.5.1.1 Wake-Up and Interrupt Modes Operation Summary

All categories under Wake-up and Interrupt modes are summarized below.

Signal	Sleep Mode	Normal Mode
TCC Over Flow	N/A	DISI + IOCF0 (TCIE) bit0=1 Next Instruction+ Set RF (TCIF)=1 ENI + IOCF0 (TCIE) bit0=1 Interrupt Vector (0x08)+ Set RF (TCIF)=1
Port 6 Input Status Change	RE (ICWE) bit1=0, IOCF0 (ICIE) bit1=0 Oscillator, TCC and TIMERX are stopped. Port6 input status changed wake-up is invalid.	IOCF0 (ICIE) bit1=0 Port6 input status change interrupted is invalid
	RE (ICWE) bit1=0, IOCF0 (ICIE) bit1=1 Set RF (ICIF)=1, Oscillator, TCC and TIMERX are stopped. Port6 input status changed wake-up is invalid.	
	RE (ICWE) bit1=1, IOCF0 (ICIE) bit1=0 Wake-up+ Next Instruction Oscillator, TCC and TIMERX are stopped.	
	RE (ICWE) bit1=1, DISI + IOCF0 (ICIE) bit1=1 Wake-up+ Next Instruction+ Set RF (ICIF)=1 Oscillator, TCC and TIMERX are stopped.	DISI + IOCF0 (ICIE) bit1=1 Next Instruction+ Set RF (ICIF)=1
	RE (ICWE) bit1=1, ENI + IOCF0 (ICIE) bit1=1 Wake-up+ Interrupt Vector (0x08)+ Set RF (ICIF)= Oscillator, TCC and TIMERX are stopped.	ENI + IOCF0 (ICIE) bit1=1 Interrupt Vector (0x08)+ Set RF (ICIF)=1
INT Pin	N/A	DISI + IOCF0 (EXIE) bit2=1 Next Instruction+ Set RF (EXIF)=1 ENI + IOCF0 (EXIE) bit2=1 Interrupt Vector (0x08)+ Set RF (EXIF)=1
AD Conversion	RE (ADWE) bit3=0, IOCF0 (ADIE) bit3=0 Clear R9 (ADRUN)=0, ADC is stopped, AD conversion wake-up is invalid. Oscillator, TCC and TIMERX are stopped.	IOCF0 (ADIE) bit1=0 AD conversion interrupted is invalid
	RE (ADWE) bit3=0, IOCF0 (ADIE) bit3=1 Set RF (ADIF)=1, R9 (ADRUN)=0, ADC is stopped, AD conversion wake-up is invalid. Oscillator, TCC and TIMERX are stopped.	
	RE (ADWE) bit3=1, IOCF0 (ADIE) bit3=0 Wake-up+ Next Instruction, Oscillator, TCC and TIMERX keep on running. Wake-up when ADC completed.	
	RE (ADWE) bit3=1, DISI + IOCF0 (ADIE) bit3=1 Wake-up+ Next Instruction+ RF (ADIF)=1, Oscillator, TCC and TIMERX keep on running. Wake-up when ADC completed.	DISI + IOCF0 (ADIE) bit3=1 Next Instruction+ RF (ADIF)=1
	RE (ADWE) bit3=1, ENI + IOCF0 (ADIE) bit3=1 Wake-up+ Interrupt Vector (0x08)+ RF (ADIF)=1, Oscillator, TCC and TIMERX keep on running. Wake-up when ADC completed.	ENI + IOCF0 (ADIE) bit3=1 Interrupt Vector (0x08)+ Set RF (ADIF)=1
PWMX (PWM1,PWM2,PWM3) (When TimerX matches PRDX)	N/A	DISI + IOCF0 (PWMXIE)=1 Next Instruction+ Set RF (PWMXIF)=1 ENI + IOCF0 (PWMXIE)=1 Interrupt Vector (0x08)+ Set RF (PWMXIF)=1



Signal	Sleep Mode	Normal Mode
Comparator (Comparator Output Status Change)	RE (CMPWE) bit2=0, IOCF0 (CMPIE) bit7=0 Comparator output status changed wake-up is invalid. Oscillator, TCC and TIMERX are stopped.	IOCF0 (CMPIE) bit7=0 Comparator output status change interrupted is invalid.
	RE (CMPWE) bit2=0, IOCF0 (CMPIE) bit7=1 Set RF (CMPIF)=1, Comparator output status changed wake-up is invalid. Oscillator, TCC and TIMERX are stopped.	
	RE (CMPWE) bit2=1, IOCF0 (CMPIE) bit7=0 Wake-up+ Next Instruction, Oscillator, TCC and TIMERX are stopped.	
	RE (CMPWE) bit2=1, DISI + IOCF0 (CMPIE) bit7=1 Wake-up+ Next Instruction+ Set RF (CMPIF)=1, Oscillator, TCC and TIMERX are stopped.	DISI + IOCF0 (CMPIE) bit7=1 Next Instruction+ Set RF (CMPIF)=1
	RE (CMPWE) bit2=1, ENI + IOCF0 (CMPIE) bit7=1 Wake-up+ Interrupt Vector (0x08)+ Set RF (CMPIF)=1, Oscillator, TCC and TIMERX are stopped.	ENI + IOCF0 (CMPIE) bit7=1 Interrupt Vector (0x08)+ Set RF (CMPIF)=1
WDT Time Out IOCE (WDTE) Bit7=1	Wake-up+ Reset (address 0x00)	Reset (address 0x00)

### 6.5.1.2 Register Initial Values after Reset

The following summarizes the initialized values for registers.

Address	Name	Reset Type	Bit 7	Bit 6	Bit 5	Bit 4	Bit 3	Bit 2	Bit 1	Bit 0
N/A	IOC50	Bit Name	C57	C56	C55	C54	C53	C52	C51	C50
		Power-on	1	1	1	1	1	1	1	1
		/RESET & WDT	1	1	1	1	1	1	1	1
		Wake-up from Pin Change	P	P	P	P	P	P	P	P
N/A	IOC60	Bit Name	C67	C66	C65	C64	C63	C62	C61	C60
		Power-on	1	1	1	1	1	1	1	1
		/RESET & WDT	1	1	1	1	1	1	1	1
		Wake-up from Pin Change	P	P	P	P	P	P	P	P
N/A	IOC70	Bit Name	-	-	-	C74	C73	C72	C71	C70
		Power-on	0	0	0	1	1	1	1	1
		/RESET & WDT	0	0	0	1	1	1	1	1
		Wake-up from Pin Change	P	P	P	P	P	P	P	P
N/A	IOC80 (PWMCN)	Bit Name	PWM3E	PWM2E	PWM1E	-	T1EN	T1P2	T1P1	T1P0
		Power-on	0	0	0	0	0	0	0	0
		/RESET & WDT	0	0	0	0	0	0	0	0
		Wake-up from Pin Change	P	P	P	P	P	P	P	P





Address	Name	Reset Type	Bit 7	Bit 6	Bit 5	Bit 4	Bit 3	Bit 2	Bit 1	Bit 0
N/A	IOC90 (TMRCON)	Bit Name	T3EN	T2EN	T3P2	T3P1	T3P0	T2P2	T2P1	T2P0
		Power-on	0	0	0	0	0	0	0	0
		/RESET & WDT	0	0	0	0	0	0	0	0
		Wake-up from Pin Change	P	P	P	P	P	P	P	P
N/A	IOCA0 (CMPCON)	Bit Name	-	-	-	-	-	CPOUT	COS1	COS0
		Power-on	0	0	0	0	0	0	0	0
		/RESET & WDT	0	0	0	0	0	0	0	0
		Wake-up from Pin Change	P	P	P	P	P	P	P	P
N/A	IOCB0	Bit Name	/PD7	/PD6	/PD5	/PD4	/PD3	/PD2	/PD1	/PD0
		Power-on	1	1	1	1	1	1	1	1
		/RESET & WDT	1	1	1	1	1	1	1	1
		Wake-up from Pin Change	P	P	P	P	P	P	P	P
N/A	IOCC0	Bit Name	/OD7	/OD6	/OD5	/OD4	/OD3	/OD2	/OD1	/OD0
		Power-on	1	1	1	1	1	1	1	1
		/RESET & WDT	1	1	1	1	1	1	1	1
		Wake-up from Pin Change	P	P	P	P	P	P	P	P
N/A	IOCD0	Bit Name	/PH7	/PH6	/PH5	/PH4	/PH3	/PH2	/PH1	/PH0
		Power-on	1	1	1	1	1	1	1	1
		/RESET & WDT	1	1	1	1	1	1	1	1
		Wake-up from Pin Change	P	P	P	P	P	P	P	P
N/A	IOCE0	Bit Name	WDTE	EIS	PSWE	PSW2	PSW1	PSW0	-	-
		Power-on	0	0	0	0	0	0	0	0
		/RESET & WDT	0	0	0	0	0	0	0	0
		Wake-up from Pin Change	P	P	P	P	P	P	P	P
N/A	IOCF0	Bit Name	CMPIE	PMW3IE	PMW2IE	PWM1IE	ADIE	EXIE	ICIE	TCIE
		Power-on	0	0	0	0	0	0	0	0
		/RESET & WDT	0	0	0	0	0	0	0	0
		Wake-up from Pin Change	P	P	P	P	P	P	P	P
N/A	IOC51 (PRD1)	Bit Name	PRD1[7]	PRD1[6]	PRD1[5]	PRD1[4]	PRD1[3]	PRD1[2]	PRD1[1]	PRD1[0]
		Power-on	0	0	0	0	0	0	0	0
		/RESET & WDT	0	0	0	0	0	0	0	0
		Wake-up from Pin Change	P	P	P	P	P	P	P	P



Address	Name	Reset Type	Bit 7	Bit 6	Bit 5	Bit 4	Bit 3	Bit 2	Bit 1	Bit 0
N/A	IOC61 (PRD2)	Bit Name	PRD2[7]	PRD2[6]	PRD2[5]	PRD2[4]	PRD2[3]	PRD2[2]	PRD2[1]	PRD2[0]
		Power-on	0	0	0	0	0	0	0	0
		/RESET & WDT	0	0	0	0	0	0	0	0
		Wake-up from Pin Change	P	P	P	P	P	P	P	P
N/A	IOC71 (PRD3)	Bit Name	PRD3[7]	PRD3[6]	PRD3[5]	PRD3[4]	PRD3[3]	PRD3[2]	PRD3[1]	PRD3[0]
		Power-on	0	0	0	0	0	0	0	0
		/RESET & WDT	0	0	0	0	0	0	0	0
		Wake-up from Pin Change	P	P	P	P	P	P	P	P
N/A	IOC81 (DT1L)	Bit Name	DT1[7]	DT1[6]	DT1[5]	DT1[4]	DT1[3]	DT1[2]	DT1[1]	DT1[0]
		Power-on	0	0	0	0	0	0	0	0
		/RESET & WDT	0	0	0	0	0	0	0	0
		Wake-up from Pin Change	P	P	P	P	P	P	P	P
N/A	IOC91 (DT2L)	Bit Name	DT2[7]	DT2[6]	DT2[5]	DT2[4]	DT2[3]	DT2[2]	DT2[1]	DT2[0]
		Power-on	0	0	0	0	0	0	0	0
		/RESET & WDT	0	0	0	0	0	0	0	0
		Wake-up from Pin Change	P	P	P	P	P	P	P	P
N/A	IOCA1 (DT3L)	Bit Name	DT3[7]	DT3[6]	DT3[5]	DT3[4]	DT3[3]	DT3[2]	DT3[1]	DT3[0]
		Power-on	0	0	0	0	0	0	0	0
		/RESET & WDT	0	0	0	0	0	0	0	0
		Wake-up from Pin Change	P	P	P	P	P	0	P	P
N/A	IOCB1 (DT1H, 2H, 3H)	Bit Name	-	-	DT3[9]	DT3[8]	DT2[9]	DT2[8]	DT1[9]	DT1[8]
		Power-on	0	0	0	0	0	0	0	0
		/RESET & WDT	0	0	0	0	0	0	0	0
		Wake-up from Pin Change	P	P	P	P	P	P	P	P
N/A	IOCC1 (TMR1L)	Bit Name	TMR1[7]	TMR1[6]	TMR1[5]	TMR1[4]	TMR1[3]	TMR1[2]	TMR1[1]	TMR1[0]
		Power-on	0	0	0	0	0	0	0	0
		/RESET & WDT	0	0	0	0	0	0	0	0
		Wake-up from Pin Change	P	P	P	P	P	P	P	P
N/A	IOCD1 (TMR2L)	Bit Name	TMR2[7]	TMR2[6]	TMR2[5]	TMR2[4]	TMR2[3]	TMR2[2]	TMR2[1]	TMR2[0]
		Power-on	0	0	0	0	0	0	0	0
		/RESET & WDT	0	0	0	0	0	0	0	0
		Wake-up from Pin Change	P	P	P	P	P	P	P	P



Address	Name	Reset Type	Bit 7	Bit 6	Bit 5	Bit 4	Bit 3	Bit 2	Bit 1	Bit 0
N/A	IOCE1 (TMR3L)	Bit Name	TMR3[7]	TMR3[6]	TMR3[5]	TMR3[4]	TMR3[3]	TMR3[2]	TMR3[1]	TMR3[0]
		Power-on	0	0	0	0	0	0	0	0
		/RESET & WDT	0	0	0	0	0	0	0	0
		Wake-up from Pin Change	P	P	P	P	P	P	P	P
N/A	IOCF1 (TMR1H, 2H, 3H)	Bit Name	-	-	TMR3[9]	TMR3[8]	TMR2[9]	TMR2[8]	TMR1[9]	TMR1[8]
		Power-on	0	0	0	0	0	0	0	0
		/RESET & WDT	0	0	0	0	0	0	0	0
		Wake-up from Pin Change	P	P	P	P	P	P	P	P
N/A	CONT	Bit Name	INTE	INT	TS	TE	PSTE	PST2	PST1	PST0
		Power-on	0	0	0	0	0	0	0	0
		/RESET & WDT	0	0	0	0	0	0	0	0
		Wake-up from Pin Change	P	P	P	P	P	P	P	P
0x00	R0(IAR)	Bit Name	-	-	-	-	-	-	-	-
		Power-on	U	U	U	U	U	U	U	U
		/RESET & WDT	P	P	P	P	P	P	P	P
		Wake-up from Pin Change	P	P	P	P	P	P	P	P
0x01	R1(TCC)	Bit Name	-	-	-	-	-	-	-	-
		Power-on	0	0	0	0	0	0	0	0
		/RESET & WDT	0	0	0	0	0	0	0	0
		Wake-up from Pin Change	P	P	P	P	P	P	P	P
0x02	R2(PC)	Bit Name	-	-	-	-	-	-	-	-
		Power-on	0	0	0	0	0	0	0	0
		/RESET & WDT	0	0	0	0	0	0	0	0
		Wake-up from Pin Change	Jump to address 0x08 or continue to execute next instruction							
0x03	R3(SR)	Bit Name	IOCS	PS1	PS0	T	P	Z	DC	C
		Power-on	0	0	0	1	1	U	U	U
		/RESET & WDT	0	0	0	t	t	P	P	P
		Wake-up from Pin Change	P	P	P	t	t	P	P	P
0x04	R4(RSR)	Bit Name	BS7	BS6	-	-	-	-	-	-
		Power-on	0	0	U	U	U	U	U	U
		/RESET & WDT	0	0	P	P	P	P	P	P
		Wake-up from Pin Change	P	P	P	P	P	P	P	P



Address	Name	Reset Type	Bit 7	Bit 6	Bit 5	Bit 4	Bit 3	Bit 2	Bit 1	Bit 0
0x05	R5	Bit Name	P57	P56	P55	P54	P53	P52	P51	P50
		Power-on	1	1	1	1	1	1	1	1
		/RESET & WDT	1	1	1	1	1	1	1	1
		Wake-up from Pin Change	P	P	P	P	P	P	P	P
0x06	P6	Bit Name	P67	P66	P65	P64	P63	P62	P61	P60
		Power-on	1	1	1	1	1	1	1	1
		/RESET & WDT	1	1	1	1	1	1	1	1
		Wake-up from Pin Change	P	P	P	P	P	P	P	P
0x7	R7	Bit Name	-	-	-	P74	P73	P72	P71	P70
		Power-on	0	0	0	1	1	1	1	1
		/RESET & WDT	0	0	0	1	1	1	1	1
		Wake-up from Pin Change	P	P	P	P	P	P	P	P
0x8	R8 (AISR)	Bit Name	ADE7	ADE6	ADE5	ADE4	ADE3	ADE2	ADE1	ADE0
		Power-on	0	0	0	0	0	0	0	0
		/RESET & WDT	0	0	0	0	0	0	0	0
		Wake-up from Pin Change	P	P	P	P	P	P	P	P
0x9	R9 (ADCON)	Bit Name	VREFS	CKR1	CKR0	ADRUN	ADPD	ADIS2	ADIS1	ADIS0
		Power-on	0	0	0	0	0	0	0	0
		/RESET and WDT	0	0	0	0	0	0	0	0
		Wake-up from Pin Change	P	P	P	P	P	P	P	P
0xA	RA (ADOC)	Bit Name	CALI	SIGN	VOF[2]	VOF[1]	VOF[0]	-	-	-
		Power-on	0	0	0	0	0	0	0	0
		/RESET and WDT	0	0	0	0	0	0	0	0
		Wake-up from Pin Change	P	P	P	P	P	P	P	P
0xB	RB (ADDDATA)	Bit Name	AD11	AD10	AD9	AD8	AD7	AD6	AD5	AD4
		Power-on	U	U	U	U	U	U	U	U
		/RESET and WDT	U	U	U	U	U	U	U	U
		Wake-up from Pin Change	P	P	P	P	P	P	P	P
0xC	RC (ADDDATA1H)	Bit Name	-	-	-	-	AD11	AD10	AD9	AD8
		Power-on	0	0	0	0	U	U	U	U
		/RESET and WDT	0	0	0	0	U	U	U	U
		Wake-up from Pin Change	P	P	P	P	P	P	P	P



Address	Name	Reset Type	Bit 7	Bit 6	Bit 5	Bit 4	Bit 3	Bit 2	Bit 1	Bit 0
0xD	RD (ADDATA1L)	Bit Name	AD7	AD6	AD5	AD4	AD3	AD2	AD1	AD0
		Power-on	U	U	U	U	U	U	U	U
		/RESET and WDT	U	U	U	U	U	U	U	U
		Wake-up from Pin Change	P	P	P	P	P	P	P	P
0xE	RE (WUCR)	Bit Name	-	-	-	-	ADWE	CMPWE	ICWE	-
		Power-on	0	0	0	0	0	0	0	0
		/RESET and WDT	0	0	0	0	0	0	0	0
		Wake-up from Pin Change	P	P	P	P	P	P	P	P
0xF	RF (ISR)	Bit Name	CMP1F	PWM3IF	PWM2IF	PWM1IF	ADIF	EXIF	ICIF	TCIF
		Power-on	0	0	0	0	0	0	0	0
		/RESET and WDT	0	0	0	0	0	0	0	0
		Wake-up from Pin Change	P	P	P	P	P	P	P	P
0x10 ~ 0x3F	R10 ~ R3F	Bit Name	-	-	-	-	-	-	-	-
		Power-on	U	U	U	U	U	U	U	U
		/RESET and WDT	P	P	P	P	P	P	P	P
		Wake-up from Pin Change	P	P	P	P	P	P	P	P

**LEGEND:** - : not used.  
 U: unknown or don't care  
 t: check "Reset Type" table in Section 6.5.2  
 P: previous value before reset

### 6.5.1.3 Controller Reset Block Diagram

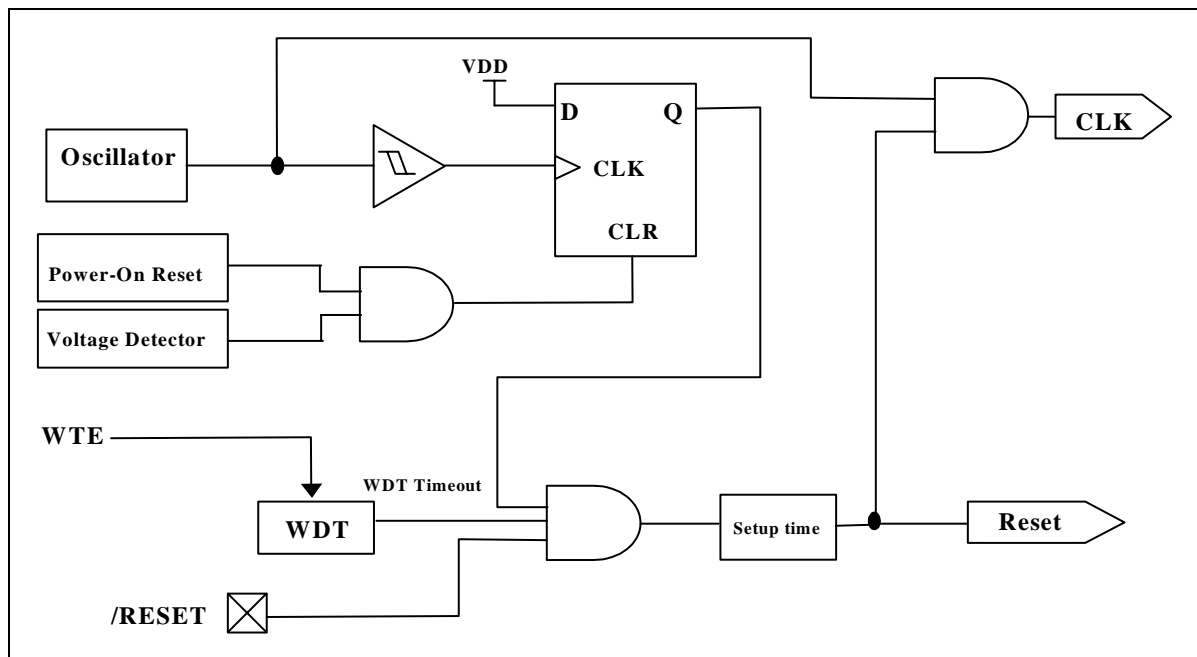


Fig. 6-7 Controller Reset Block Diagram

### 6.5.2 The T and P Status under STATUS Register

A RESET condition is initiated by one of the following events:

1. Power-on reset
2. /RESET pin input "low"
3. WDT time-out (if enabled).

The values of T and P as listed in the table below, are used to check how the processor wakes up.

Reset Type	T	P
Power-on	1	1
/RESET during Operating mode	*P	*P
/RESET wake-up during SLEEP mode	1	0
WDT during Operating mode	0	*P
WDT wake-up during SLEEP mode	0	0
Wake-up on pin change during SLEEP mode	1	0

\*P: Previous status before reset

The following shows the events that may affect the status of T and P.

Event	T	P
Power-on	1	1
WDTC instruction	1	1
WDT time-out	0	*P
SLEP instruction	1	0
Wake-up on pin changed during SLEEP mode	1	0

\*P: Previous value before reset

## 6.6 Interrupt

The EM78P417/8/9N has six interrupts as listed below:

1. TCC overflow interrupt
2. Port 6 Input Status Change Interrupt
3. External interrupt [(P50, /INT) pin]
4. Analog to Digital conversion completed
5. When TMR1/TMR2/TIMER3 matches with PRD1/PRD2/PRD3 respectively in PWM
6. When the comparators output changes (for EM78P418/9N only)

Before the Port 6 Input Status Change Interrupt is enabled, reading Port 6 (e.g., "MOV R6, R6") is necessary. Each Port 6 pin will have this feature if its status changes. Any pin configured as output, including the P50 pin configured as /INT, is excluded from this function. Port 6 Input Status Change Interrupt will wake up the EM78P417/8/9N from sleep mode if it is enabled prior to going into the sleep mode by executing SLEP. When wake-up occurs, the controller will continue to execute the succeeding program if the global interrupt is disabled. If enabled, it will branch out to the interrupt vector 008H.

External interrupt equipped with digital noise rejection circuit (input pulse less than 8 system clocks time) is eliminated as noise. Edge selection is possible with /INT. Refer to the Word 1 Bits 8~7 (Section 6.14.2, *Code Option Register (Word 1)*) for digital noise rejection definition.

RF is the interrupt status register that records the interrupt requests in the relative flags/bits. IOCF0 is an interrupt mask register. The global interrupt is enabled by the ENI instruction and is disabled by the DISI instruction. When one of the interrupts (when enabled) occurs, the next instruction will be fetched from address 008H. Once in the interrupt service routine, the source of an interrupt can be determined by polling the flag bits in RF. The interrupt flag bit must be cleared by instructions before leaving the interrupt service routine to avoid recursive interrupts.

The flag (except ICIF bit) in the Interrupt Status Register (RF) is set regardless of the status of its mask bit or of the ENI execution. Note that the result of RF will be the logic AND of RF and IOCF0 (refer to figure below). The RETI instruction ends the interrupt routine and enables the global interrupt (the ENI execution).

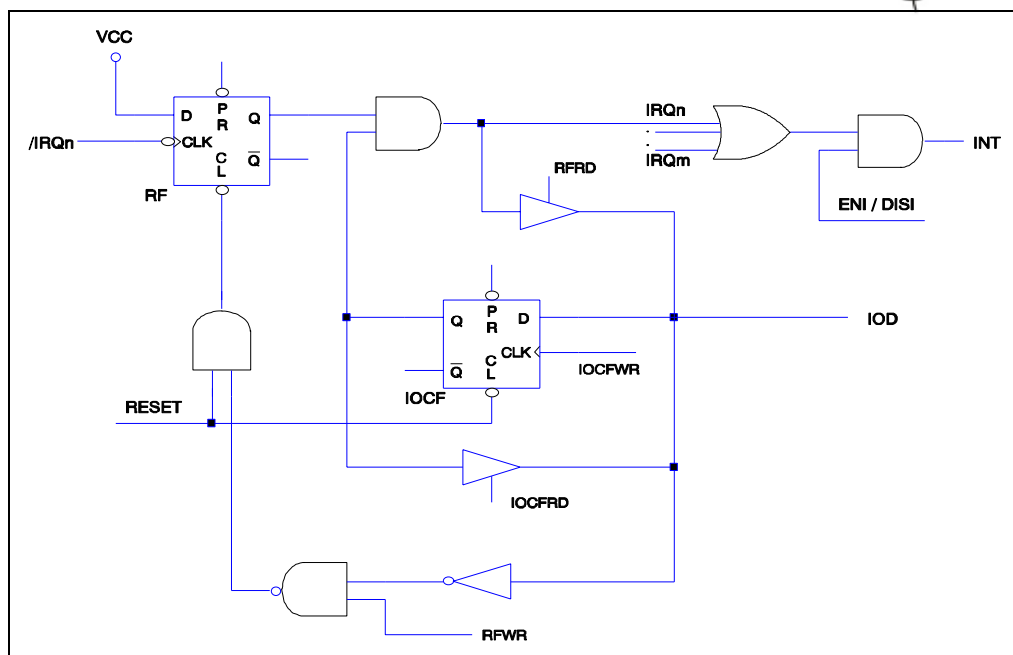


Fig. 6-8 Interrupt Input Circuit

## 6.7 Analog-To-Digital Converter (ADC)

The analog-to-digital circuitry consists of an 8-bit analog multiplexer; three control registers (AISR/R8, ADCON/R9, & ADOC/RA), three data registers (ADDATA1/RB, ADDATA1H/RC, & ADDATA1L/RD) and an ADC with 12-bit resolution as shown in the functional block diagram below. The analog reference voltage ( $V_{ref}$ ) and the analog ground are connected via separate input pins.

The ADC module utilizes successive approximation to convert the unknown analog signal into a digital value. The result is fed to the ADDATA, ADDATA1H and ADDATA1L. Input channels are selected by the analog input multiplexer via the ADCON register Bits.

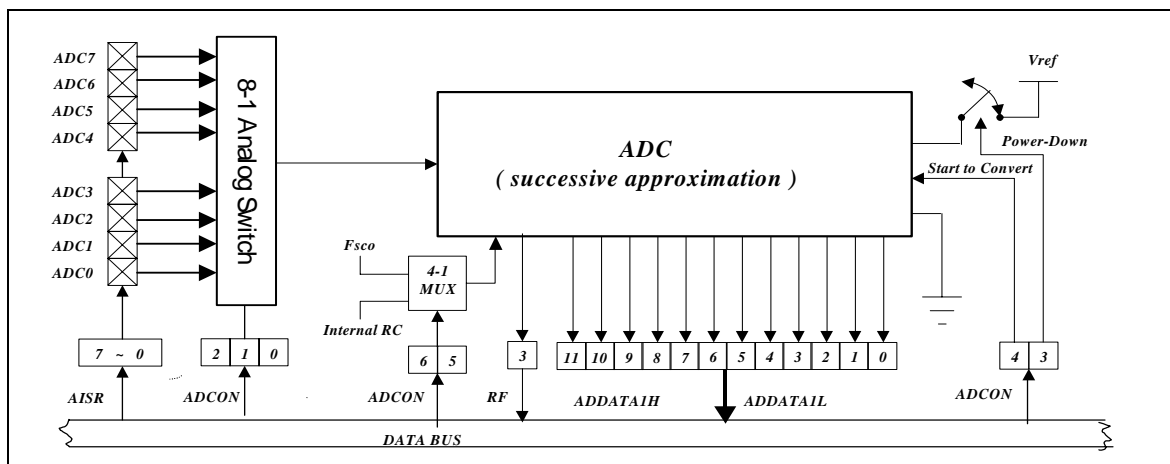


Fig. 6-9 Analog-to-Digital Conversion Functional Block Diagram



### 6.7.1 ADC Control Register (AISR/R8, ADCON/R9, ADOC/RA)

#### 6.7.1.1 R8 (AISR: ADC Input Select Register)

7	6	5	4	3	2	1	0
SYMBOL	ADE7	ADE6	ADE5	ADE4	ADE3	ADE2	ADE1
*Init_Value	0	0	0	0	0	0	0

AISR register defines the Port 6 pins as analog inputs or as digital I/O, individually.

- Bit 7 (ADE7):** AD converter enable bit of P67 pin  
 0 = Disable ADC7, P67 acts as I/O pin  
 1 = Enable ADC7 acts as analog input pin
- Bit 6 (ADE6):** AD converter enable bit of P66 pin  
 0 = Disable ADC6, P66 acts as I/O pin  
 1 = Enable ADC6 acts as analog input pin
- Bit 5 (ADE5):** AD converter enable bit of P65 pin  
 0 = Disable ADC5, P65 acts as I/O pin  
 1 = Enable ADC5 acts as analog input pin
- Bit 4 (ADE4):** AD converter enable bit of P64 pin  
 0 = Disable ADC4, P64 acts as I/O pin  
 1 = Enable ADC4 acts as analog input pin
- Bit 3 (ADE3):** AD converter enable bit of P63 pin  
 0 = Disable ADC3, P63 acts as I/O pin  
 1 = Enable ADC3 acts as analog input pin
- Bit 2 (ADE2):** AD converter enable bit of P62 pin  
 0 = Disable ADC2, P63 acts as I/O pin  
 1 = Enable ADC2 acts as analog input pin
- Bit 1 (ADE1):** AD converter enable bit of P61 pin  
 0 = Disable ADC1, P61 acts as I/O pin  
 1 = Enable ADC1 acts as analog input pin



**Bit 0 (ADE0):** AD converter enable bit of P60 pin  
 0 = Disable ADC0, P60 acts as I/O pin  
 1 = Enable ADC0 acts as analog input pin

**NOTE**

*Note the pin priority of the COS1 and COS0 bits of IOCA0 Control register when P60/ADE0 acts as analog input or as digital I/O. The Comparator/OP select bits are as shown in a table under Section 6.2.6.*

*The P60/ADE0/CO pin priority is as follows:*

P60/ADE0/CO PRIORITY		
High	Medium	Low
CO	ADE0	P60

**6.7.1.2 R9 (ADCON: ADC Control Register)**

Bit	7	6	5	4	3	2	1	0
SYMBOL	VREFS	CKR1	CKR0	ADRUN	ADPD	ADIS2	ADIS1	ADIS0
*Init_Value	0	0	0	0	0	0	0	0

\*Init\_Value: Initial value at power on reset

**ADCON** register controls the operation of the AD conversion and decides which pin should be currently active.

**Bit 7(VREFS):** The input source of the Vref of the ADC  
 0 = The Vref of the ADC is connected to Vdd (default value), and the P53/VREF pin carries out the function of P53  
 1 = The Vref of the ADC is connected to P53/VREF

**NOTE**

*The P53/PWM3/VREF pin cannot be applied to PWM3 and VREF at the same time. IF P53/PWM3/VREF acts as VREF analog input pin, then PWM3E must be "0"..*

*The P53/PWM3/VREF pin priority is as follows:*

P53/PWM3/VREF PIN PRIORITY		
High	Medium	Low
VREF	PWM3	P53



**Bit 6 ~ Bit 5 (CKR1 ~ CKR0):** The prescaler oscillator clock rate of ADC

00 = 1: 4 (default value)

01 = 1: 16

10 = 1: 64

11 = 1: WDT ring oscillator frequency

CKR0:CKR1	Operation Mode	Max. Operation Frequency
00	Fsco/4	1 MHz
01	Fsco/16	4 MHz
10	Fsco/64	16MHz
11	Internal RC	-

**Bit 4 (ADRUN):**

ADC starts to RUN.

0 = reset on completion of the conversion. This bit cannot be reset though software.

1 = an AD conversion is started. This bit can be set by software.

**Bit 3 (ADPD):**

ADC Power-down mode.

0 = switch off the resistor reference to save power even while the CPU is operating.

1 = ADC is operating

**Bit 2 ~ Bit 0 (ADIS2 ~ ADIS0):** Analog Input Select.

000 = AN0/P60

001 = AN1/P61

010 = AN2/P62

011 = AN3/P63

100 = AN4/P64

101 = AN5/P65

110 = AN6/P66

111 = AN7/P67

These bits can only be changed when the ADIF bit and the ADRUN bit are both LOW.



**6.7.1.3 RA (ADOC: ADC Offset Calibration Register)**

7	6	5	4	3	2	1	0
CALI	SIGN	VOF[2]	VOF[1]	VOF[0]	"0"	"0"	"0"

**Bit 7 (CALI):** Calibration enable bit for ADC offset

- 0 = Calibration disable;
- 1 = Calibration enable.

**Bit 6 (SIGN):** Polarity bit of offset voltage

- 0 = Negative voltage;
- 1 = Positive voltage.

**Bit 5 ~ Bit 3 (VOF[2] ~ VOF[0]):** Offset voltage bits.

VOF[2]	VOF[1]	VOF[0]	EM78P417/8/9N	ICE418N
0	0	0	0LSB	0LSB
0	0	1	2LSB	1LSB
0	1	0	4LSB	2LSB
0	1	1	6LSB	3LSB
1	0	0	8LSB	4LSB
1	0	1	10LSB	5LSB
1	1	0	12LSB	6LSB
1	1	1	14LSB	7LSB

**Bit 2 ~ Bit 0:** Unimplemented, read as '0'.

**6.7.2 ADC Data Register (ADDATA/RB, ADDATA1H/RC, ADDATA1L/RD)**

When the AD conversion is completed, the result is loaded to the ADDATA, ADDATA1H and ADDATA1L registers. The ADRUN bit is cleared, and the ADIF is set.

**6.7.3 ADC Sampling Time**

The accuracy, linearity, and speed of the successive approximation of AD converter are dependent on the properties of the ADC and the comparator. The source impedance and the internal sampling impedance directly affect the time required to charge the sample holding capacitor. The application program controls the length of the sample time to meet the specified accuracy. Generally speaking, the program should wait for 2μs for each KΩ of the analog source impedance and at least 2μs for the low-impedance source. The maximum recommended impedance for analog source is 10KΩ at Vdd=5V. After the analog input channel is selected, this acquisition time must be done before the conversion is started.

### 6.7.4 AD Conversion Time

CKR0 and CKR1 select the conversion time (Tct), in terms of instruction cycles. This allows the MCU to run at the maximum frequency without sacrificing the AD conversion accuracy. For the EM78P417/8/9N, the conversion time per bit is about 4 $\mu$ s. The table below shows the relationship between Tct and the maximum operating frequencies.

CKR0:CKR1	Operation Mode	Max. Operation Frequency	Max. Conversion Rate/Bit	Max. Conversion Rate
00	Fsco/4	1 MHz	250kHz (4us)	15*4us=60us(16.7kHz)
01	Fsco/16	4MHz	250kHz (4us)	15*4us=60us(16.7kHz)
10	Fsco/64	16MHz	250kHz( 4us)	15*4us=60us(16.7kHz)
11	Internal RC	-	14kHz (71us)	15*71us=1065us(0.938kHz)

#### NOTE

- Pin not used as an analog input pin can be used as regular input or output pin.
- During conversion, do not perform output instruction to maintain precision for all of the pins.

### 6.7.5 ADC Operation during Sleep Mode

In order to obtain a more accurate ADC value and reduce power consumption, the AD conversion remains operational during sleep mode. As the SLEP instruction is executed, all the MCU operations will stop except for the Oscillator, TCC, TIMER1, TIMER2, TIMER3, and AD conversion.

The AD Conversion is considered completed as determined by:

1. ADRUN bit of R9 register is cleared ("0" value)
2. Wake-up from AD conversion (where it remains in operation during sleep mode)

The results are fed into the ADDATA, ADDATA1H, and ADDATA1L registers when the conversion is completed. If the ADWE is enabled, the device will wake up. Otherwise, the AD conversion will be shut off, no matter what the status of ADPD bit is.

### 6.7.6 Programming Process/Considerations

#### 6.7.6.1 Programming Process

Follow these steps to obtain data from the ADC:

1. Write to the eight bits (ADE7:ADE0) on the R8 (AISR) register to define the characteristics of R6 (digital I/O, analog channels, or voltage reference pin)
2. Write to the R9/ADCON register to configure AD module:
  - a) Select ADC input channel ( ADIS2:ADIS0 )
  - b) Define AD conversion clock rate ( CKR1:CKR0 )
  - c) Select the VREFS input source of the ADC
  - d) Set the ADPD bit to 1 to begin sampling



3. Set the ADWE bit, if the wake-up function is employed
4. Set the ADIE bit, if the interrupt function is employed
5. Write "ENI" instruction, if the interrupt function is employed
6. Set the ADRUN bit to 1
7. Write "SLEP" instruction or Polling.
8. Wait for wake-up or for ADRUN bit to be cleared ("0" value)
9. Read the ADDATA or ADDATA1H and ADDATA1L conversion data registers. If ADC input channel changes at this time, the ADDATA, ADDATA1H, and ADDATA1L values can be cleared to '0'.
10. Clear the interrupt flag bit (ADIF).
11. For next conversion, go to Step 1 or Step 2 as required. At least 2 Tct is required before the next acquisition starts.

**NOTE**

*In order to obtain accurate values, it is necessary to avoid any data transition on I/O pins during AD conversion*

### 6.7.6.2 Sample Demo Programs

#### A. Define a General Registers

```
R_0 == 0           ; Indirect addressing register
PSW == 3           ; Status register
PORT5 == 5
PORT6 == 6
RE == 0XE          ; Wake-up control resister
RF == 0XF          ; Interrupt status register
```

#### B. Define a Control Register

```
IOC50 == 0X5       ; Control Register of Port 5
IOC60 == 0X6       ; Control Register of Port 6
C_INT == 0XF       ; Interrupt Control Register
```

#### C. ADC Control Register

```
ADDATA == 0xB      ; The contents are the results of ADC
AISR == 0x08       ; ADC Input select register
ADCON == 0x9       ; 7   6   5   4   3   2   1   0
                   ; VREFS CKR1 CKR0 ADRUN ADPD ADIS2 ADIS1 ADIS0
```

#### D. Define Bits in ADCON

```
ADRUN == 0x4       ; ADC is executed as the bit is set
ADPD == 0x3        ; Power Mode of ADC
```



### E. Program Starts

```
ORG 0          ; Initial address
JMP INITIAL   ;

ORG 0x08      ; Interrupt vector
;
;
;(User program section)
;
;
CLR RF        ; To clear the ADIF bit
BS ADCON, ADRUN ; To start to execute the next AD conversion
                if necessary

RETI
INITIAL:
MOV A,@0B00000001 ; To define P60 as an analog input
MOV AISR,A
MOV A,@0B00001000 ; To select P60 as an analog input channel, and
AD power on
MOV ADCON,A      ; To define P60 as an input pin and set clock
                rate at fosc/16

En_ADC:
MOV A, @0BXXXXXXX1 ; To define P50 as an input pin, and the others
IOW PORT6         ; are dependent on applications
MOV A, @0BXXXX1XXX ; Enable the ADWE wake-up function of ADC, "X"
                by application

MOV RE,A
MOV A, @0BXXXX1XXX ; Enable the ADIE interrupt function of ADC,
                "X" by application

IOW C_INT
ENI              ; Enable the interrupt function

BS ADCON, ADRUN ; Start to run the ADC

; If the interrupt function is employed, the following three lines
may be ignored

POLLING:
JBC ADCON, ADRUN ; To check the ADRUN bit continuously;
JMP POLLING      ; ADRUN bit will be reset as the AD conversion
                is completed

;
;
;(User program section)
;
;
```

## 6.8 Dual Sets of PWM (Pulse Width Modulation)

### 6.8.1 Overview

In PWM mode, PWM1, PWM2, and PWM3 pins produce up to a 10-bit resolution PWM output (see the functional block diagram below). A PWM output consisted of a time period and a duty cycle, and it keeps the output high. The baud rate of the PWM is the inverse of the time period. Fig. 6-11 (*PWM Output Timing*) depicts the relationships between a time period and a duty cycle.

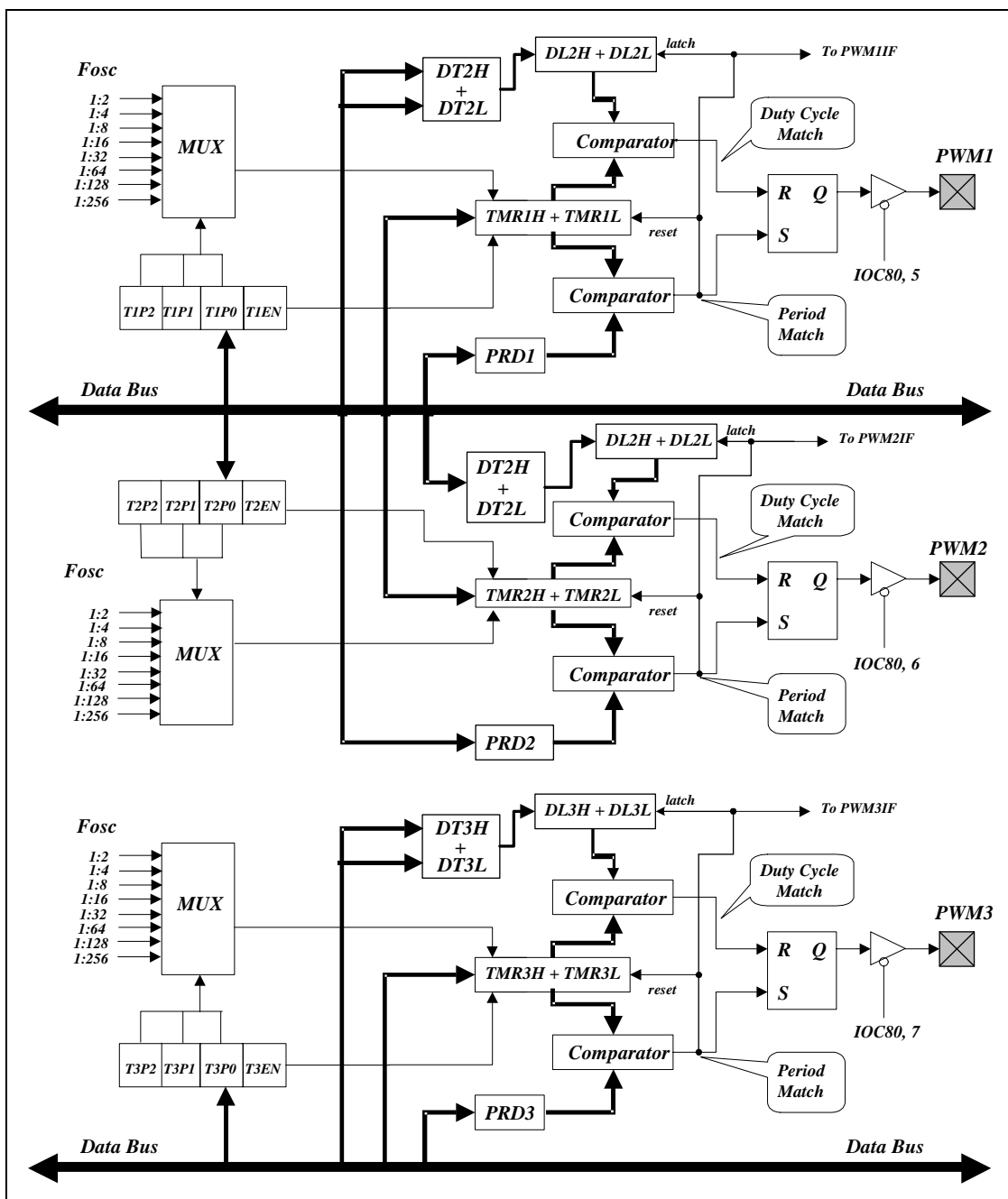


Fig. 6-10 The Three PWMs Functional Block Diagram



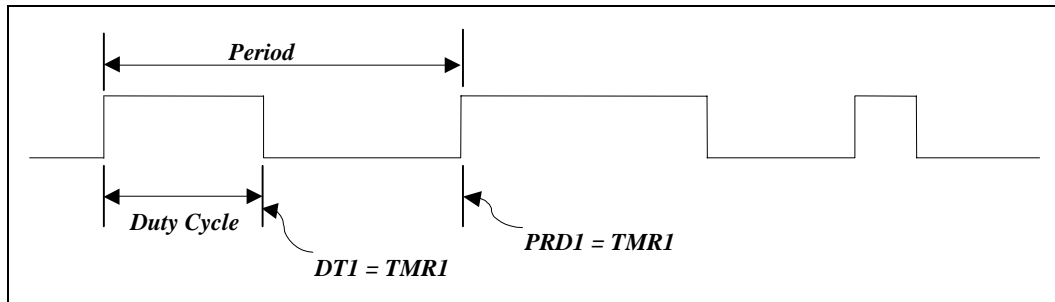


Fig. 6-11 PWM Output Timing

### 6.8.2 Increment Timer Counter (TMRX: TMR1H/TWR1L, TMR2H/TWR2L, or TMR3H/TWR3L)

TMRX are ten-bit clock counters with programmable prescalers. They are designed for the PWM module as baud rate clock generators. TMRX can be read only. If employed, they can be turned off for power saving by setting the T1EN bit [IOC80<3>], T2EN bit [IOC90<6>], or T3EN bit [IOC90<7>] to 0.

### 6.8.3 PWM Time Period (PRDX : PRD1 or PRD2)

The PWM time period is defined by writing to the PRDX register. When TMRX is equal to PRDX, the following events occur on the next increment cycle:

- TMRX is cleared
- The PWMX pin is set to 1
- The PWM duty cycle is latched from DT1/DT2/DT3 to DL1/DL2/DL3

**NOTE**

*The PWM output will not be set, if the duty cycle is 0*

- The PWMXIF pin is set to 1

The following formula describes how to calculate the PWM time period:

$$\text{PERIOD} = (\text{PRDX} + 1) * 4 * (1/\text{Fosc}) * \text{CLKS}/2 * (\text{TMRX prescale value})$$

Example:

PRDX=49; Fosc=4MHz; CLKS bit of Code Option Register =0 (2 oscillator periods); TMRX(0,0,0)=1:2, then PERIOD=(49 + 1) \* 4 \* (1/4M) \* 2/2 \* 2 =100us



#### **6.8.4 PWM Duty Cycle (DTX: DT1H/ DT1L, DT2H/ DT2L and DT3H/DT3L; DLX: DL1H/DL1L, DL2H/DL2L and DL3H/DL3L )**

The PWM duty cycle is defined by writing to the DTX register, and is latched from DTX to DLX while TMRX is cleared. When DLX is equal to TMRX, the PWMX pin is cleared. DTX can be loaded anytime. However, it cannot be latched into DLX until the current value of DLX is equal to TMRX.

The following formula describes how to calculate the PWM duty cycle:

$$\text{Duty Cycle} = (\text{DTX}) * (1/\text{Fosc}) * \text{CLKS}/2 * (\text{TMRX prescale value})$$

Example:

DTX=10; Fosc=4MHz; CLKS bit of Code Option Register =0 (2 oscillator periods); TMRX(0,0,0)=1:2, then Duty Cycle=10 \* (1/4M) \* 2/2 \* 2 =5us

#### **6.8.5 Comparator X**

Changing the output status while a match occurs, will set the TMRXIF flag at the same time.

#### **6.8.6 PWM Programming Process/Steps**

Load PRDX with the PWM time period.

1. Load DTX with the PWM Duty Cycle.
2. Enable interrupt function by writing IOCF0, if required.
3. Set PWMX pin to be output by writing a desired value to IOC80.
4. Load a desired value to IOC51 with TMRX prescaler value and enable both PWMX and TMRX.

## **6.9 Timer**

### **6.9.1 Overview**

Timer1 (TMR1), Timer2 (TMR2), and Timer3 (TMR3) (TMRX) are 10-bit clock counters with programmable prescalers. They are designed for the PWM module as baud rate clock generators. TMRX can be read only. The TIMER1, TIMER2, and TIMER3 will stop running when sleep mode occurs with AD conversion not running. However, if AD conversion is running when sleep mode occurs, the TIMER1, TIMER2 and TIMER3 will keep on running.

### 6.9.2 Function Description

The following figure shows the TMRX block diagram followed by descriptions of its signals and blocks:

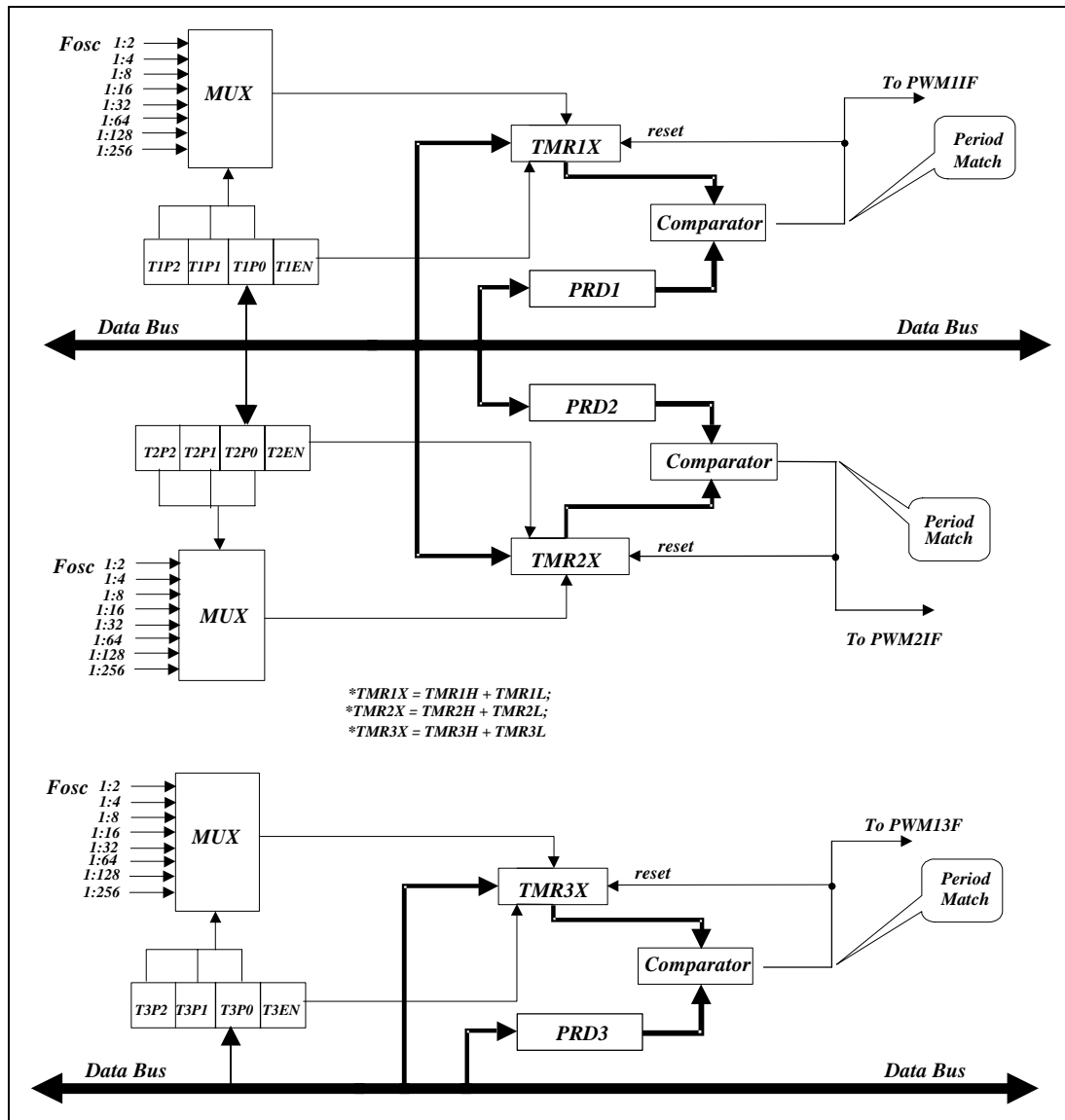


Fig. 6-12 TMRX Block Diagram

**Fosc:** Input clock.

**Prescaler (T1P2, T1P1 and T1P0 / T2P2, T2P1 and T2P0 / T3P2, T3P1 and T3P0):**

The options 1:2, 1:4, 1:8, 1:16, 1:32, 1:64, 1:128, and 1:256 are defined by TMRX. It is cleared when any type of reset occurs.

**TMR1X, TMR2X and TMR3X (TMR1H/TMR1L, TMR2H/TMR2L, & TMR3H/TMR3L):**

Timer X register; TMRX is increased until it matches with PRDX, and then is reset to 1 (default value).

**PRDX (PRD1, PRD2 and PRD3):**

PWM time period register.

**ComparatorX (Comparator 1 and Comparator 2):**

Reset TMRX while a match occurs. The TMRXIF flag is set at the same time.

**6.9.3 Programming the Related Registers**

When defining TMRX, refer to the related registers of its operation as shown in the table below. It must be noted that the PWMX bits must be disabled if their related TMRXs are employed. That is, Bit 7 ~ Bit 5 of the PWMCON register must be set to '0'.

**6.9.3.1 Related Control Registers of TMR1, TMR2, and TMR3**

Address	Name	Bit 7	Bit 6	Bit 5	Bit 4	Bit 3	Bit 2	Bit 1	Bit 0
IOC80	PWMCON/IOC80	PWM3E	PWM2E	PWM1E	"0"	T1EN	T1P2	T1P1	T1P0
IOC90	TMRCON/IOC90	T3EN	T2EN	T3P2	T3P1	T3P0	T2P2	T2P1	T2P0

**6.9.4 Timer Programming Process/Steps**

1. Load PRDX with the TIMER duration
2. Enable interrupt function by writing IOCF0, if required
3. Load a desired a TMRX prescaler value to PWMCON and TMRCON and enable TMRX and disable PWMX

**6.10 Comparator**

EM78P418/9N has one comparator comprising of two analog inputs and one output. The comparator can be utilized to wake up EM78P418/9N from sleep mode. The comparator circuit diagram is depicted in the figure below.

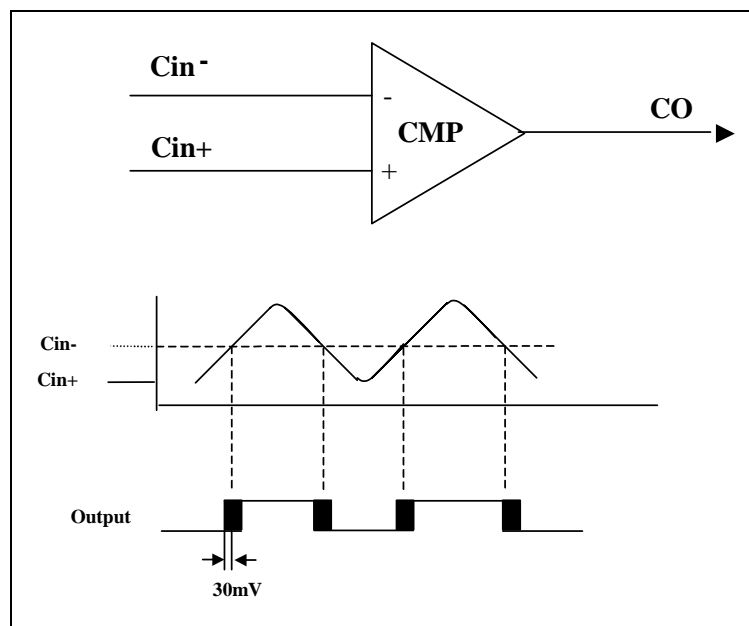


Fig. 6-13 Comparator Circuit Diagram & Operating Mode

### 6.10.1 External Reference Signal

The analog signal that is presented at Cin- compares to the signal at Cin+, and the digital output (CO) of the comparator is adjusted accordingly by taking the following notes into considerations:

**NOTE**

- The reference signal must be between Vss and Vdd.
- The reference voltage can be applied to either pin of comparator.
- Threshold detector applications may be of the same reference.
- The comparator can operate from the same or different reference sources.

### 6.10.2 Comparator Outputs

- The compared result is stored in the CMPOUT of IOCA0.
- The comparator outputs are sent to CO(P60) through programming Bit 1, Bit 0<COS1, COS0> of the IOCA0 register to <1,0>. See Section 6.2.6, IOCA0 (CMPCON: Comparator Control Register) for Comparator/OP select bits function description.

**NOTE**

- The CO and ADE0 of the P60/ADE0/CO pins cannot be used at the same time.
- The P60/ADE0/CO pin priority is as follows:

P60/ADE0/CO PRIORITY		
High	Medium	Low
CO	ADE0	P60

The following figure shows the Comparator Output block diagram.

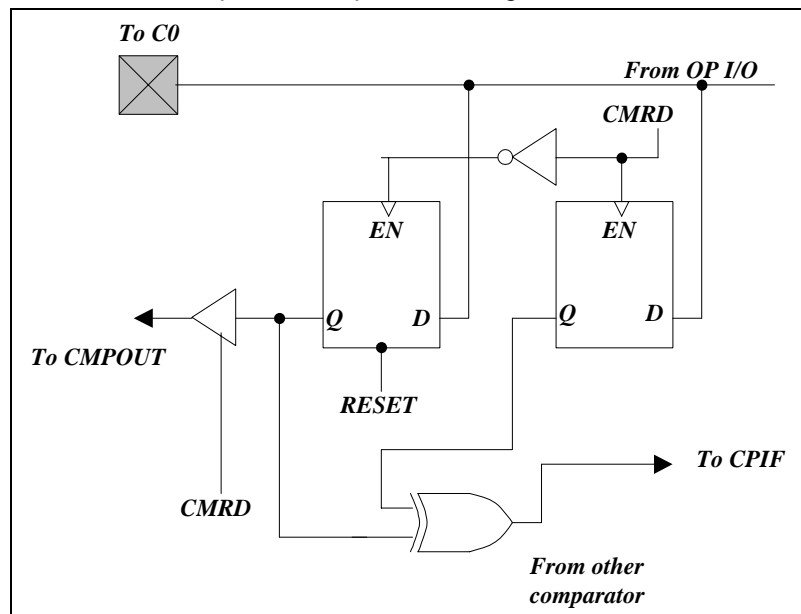


Fig. 6-14 Comparator Output Configuration



### 6.10.3 Using Comparator as an Operation Amplifier

The comparator can be used as an operation amplifier if a feedback resistor is connected from the input to the output externally. In this case, the Schmitt trigger can be disabled for power saving by setting Bit 1, Bit 0<COS1, COS0> of the IOCA0 register to <1,1>. See Section 6.2.6, *IOCA0 (CMPCON: Comparator Control Register)* for Comparator/OP select bits function description.

### 6.10.4 Comparator Interrupt

- CMPIE (IOCF0.7) must be enabled for the “ENI” instruction to take effect
- Interrupt is triggered whenever a change occurs on the comparator output pin
- The actual change on the pin can be determined by reading the Bit CMPOUT, IOCA0<2>
- CMPIF (RF.7), the comparator interrupt flag, can only be cleared by software

### 6.10.5 Wake-up from SLEEP Mode

- If enabled, the comparator remains active and the interrupt remains functional, even under SLEEP mode.
- If a mismatch occurs, the interrupt will wake up the device from SLEEP mode.
- The power consumption should be taken into consideration for the benefit of energy conservation.
- If the function is unemployed during SLEEP mode, turn off comparator before entering into sleep mode.

## 6.11 Oscillator

### 6.11.1 Oscillator Modes

The EM78P417/8/9N can be operated in four different oscillator modes, such as High XTAL oscillator mode (HXT), Low XTAL oscillator mode (LXT), External RC oscillator mode (ERC), and RC oscillator mode with Internal RC oscillator mode (IRC). You can select one of them by programming the OSC2, OCS1, and OSC0 in the CODE Option register.

The Oscillator modes defined by OSC2, OCS1, and OSC0 are described below.

Oscillator Modes	OSC2	OSC1	OSC0
ERC <sup>1</sup> (External RC oscillator mode); P54/OSCO acts as P54	0	0	0
ERC <sup>1</sup> (External RC oscillator mode); P54/OSCO acts as OSCO	0	0	1
IRC <sup>2</sup> (Internal RC oscillator mode); P54/OSCO acts as P54	0	1	0
IRC <sup>2</sup> (Internal RC oscillator mode); P54/OSCO acts as OSCO	0	1	1
LXT <sup>3</sup> (Low XTAL oscillator mode)	1	1	0
HXT <sup>3</sup> High XTAL oscillator mode) (default)	1	1	1

<sup>1</sup> Under ERC mode, OSC1 is used as oscillator pin. OSCO/P54 is defined by code option WORD0 Bit6 ~ Bit4.

<sup>2</sup> Under IRC mode, P55 is normal I/O pin. OSCO/P54 is defined by code option WORD0 Bit6 ~ Bit4.

<sup>3</sup> Under LXT and HXT modes; OSC1 and OSC0 are used as oscillator pins. These pins cannot and should not be defined as normal I/O pins.

**NOTE**

*The transient point of the system frequency between HXT and LXY is around 400kHz.*

The maximum operating frequency limit of crystal/resonator at different VDDs, are as follows:

Conditions	VDD	Max. Freq. (MHz)
Two clocks	2.3	4
	3.0	8
	5.0	20

**6.11.2 Crystal Oscillator/Ceramic Resonators (XTAL)**

EM78P417/8/9N can be driven by an external clock signal through the OSC1 pin as illustrated below.

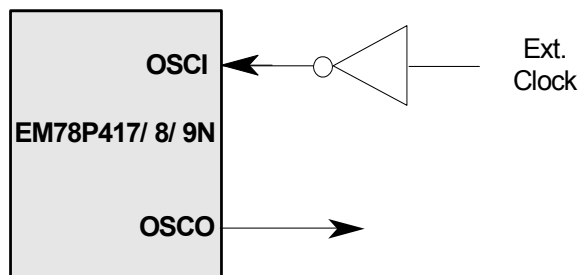


Fig. 6.15 External Clock Input Circuit



In the most applications, Pin OSCI and Pin OSCO can be connected with a crystal or ceramic resonator to generate oscillation. Fig. 6-16 below depicts such circuit. The same applies to the HXT mode and the LXT mode.

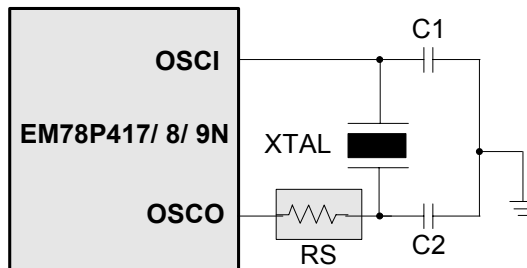


Fig. 6-16 Crystal/Resonator Circuit

The following table provides the recommended values for C1 and C2. Since each resonator has its own attribute, you should refer to the resonator specifications for appropriate values of C1 and C2. RS, a serial resistor, may be required for AT strip cut crystal or low frequency mode.

Capacitor selection guide for crystal oscillator or ceramic resonators:

Oscillator Type	Frequency Mode	Frequency	C1(pF)	C2(pF)
Ceramic Resonators	HXT	455 kHz	100~150	100~150
		2.0 MHz	20~40	20~40
		4.0 MHz	10~30	10~30
Crystal Oscillator	LXT	32.768kHz	25	15
		100KHz	25	25
		200KHz	25	25
	HXT	455KHz	20~40	20~150
		1.0MHz	15~30	15~30
		2.0MHz	15	15
		4.0MHz	15	15

### 6.11.3 External RC Oscillator Mode

For some applications that do not require precise timing calculation, the RC oscillator (Fig. 6-17 right) could offer you with effective cost savings. Nevertheless, it should be noted that the frequency of the RC oscillator is influenced by the supply voltage, the values of the resistor (Rext), the capacitor (Cext), and even by the operation temperature. Moreover, the frequency also changes slightly from one chip to another due to the manufacturing process variation.

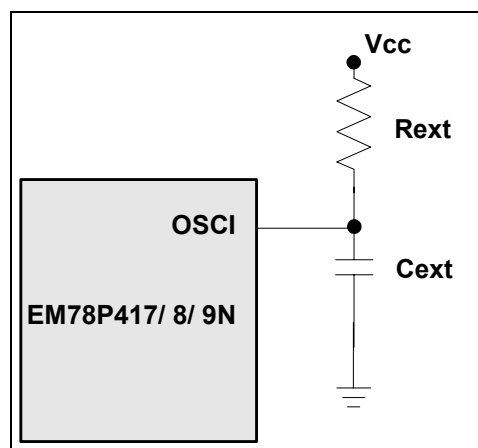


Fig. 6-17 External RC Oscillator Mode Circuit





In order to maintain a stable system frequency, the values of the Cext should be no less than 20pF, and that the value of Rext should be no greater than 1MΩ. If the frequency cannot be kept within this range, the frequency can be affected easily by noise, humidity, and leakage.

The smaller the Rext in the RC oscillator is, the faster its frequency will be. On the contrary, for very low Rext values, for instance, 1 KΩ, the oscillator will become unstable because the NMOS cannot discharge the capacitance current correctly.

Based on the above reasons, it must be kept in mind that all supply voltage, the operation temperature, the components of the RC oscillator, the package types, and the way the PCB is layout, have certain effect on the system frequency.

The RC Oscillator frequencies:

Cext	Rext	Average Fosc 5V,25°C	Average Fosc 3V,25°C
20 pF	3.3k	3.5 MHz	3.2 MHz
	5.1k	2.5 MHz	2.3 MHz
	10k	1.30 MHz	1.25 MHz
	100k	140 KHz	140 KHz
100 pF	3.3k	1.27 MHz	1.21 MHz
	5.1k	850 KHz	820 KHz
	10k	450 KHz	450 KHz
	100k	48 KHz	50 KHz
300 pF	3.3k	560 KHz	540 KHz
	5.1k	370 KHz	360 KHz
	10k	196 KHz	192 KHz
	100k	20 KHz	20 KHz

NOTE: 1. Measured on DIP packages.  
2. Design reference only  
3. The frequency drift is about ±30%

#### **6.11.4 Internal RC Oscillator Mode**

EM78P417/8/9N offers a versatile internal RC mode with default frequency value of 4MHz. Internal RC oscillator mode has other frequencies (1MHz, 8MHz, and 455KHz) that can be set by CODE OPTION (WORD1), RCM1, and RCM0. Table below describes the EM78P417/8/9N internal RC drift with the variation of voltage, temperature, and process.



Internal RC Drift Rate ( $T_a=25$  ,  $V_{DD}=5V\pm5\%$ ,  $V_{SS}=0V$ )

Internal RC Frequency	Drift Rate			
	Temperature (-40 ~+80 )	Voltage (2.3V~5.5V)	Process	Total
4MHz	$\pm 10\%$	$\pm 5\%$	$\pm 4\%$	$\pm 19\%$
8MHz	$\pm 10\%$	$\pm 6\%$	$\pm 4\%$	$\pm 20\%$
1MHz	$\pm 10\%$	$\pm 5\%$	$\pm 4\%$	$\pm 19\%$
455MHz	$\pm 10\%$	$\pm 5\%$	$\pm 4\%$	$\pm 19\%$

Theoretical values are for reference only. Actual values may vary depending on actual process.

## 6.12 Power-on Considerations

Any microcontroller is not warranted to start operating properly before the power supply stabilizes in steady state. EM78P417/8/9N is equipped with Power On Voltage Detector (POVD) with detection level range of 1.9V to 2.1V. The circuitry eliminates the extra external reset circuit. It will work well if  $V_{dd}$  rises quickly enough (50 ms or less). However, under critical applications, extra devices are still required to assist in solving power-on problems.

### 6.12.1 External Power-on Reset Circuit

The circuit shown in the following figure implements an external RC to produce a reset pulse. The pulse width (time constant) should be kept long enough to allow  $V_{dd}$  to reach the minimum operating voltage. This circuit is used when the power supply has a slow power rise time. Because

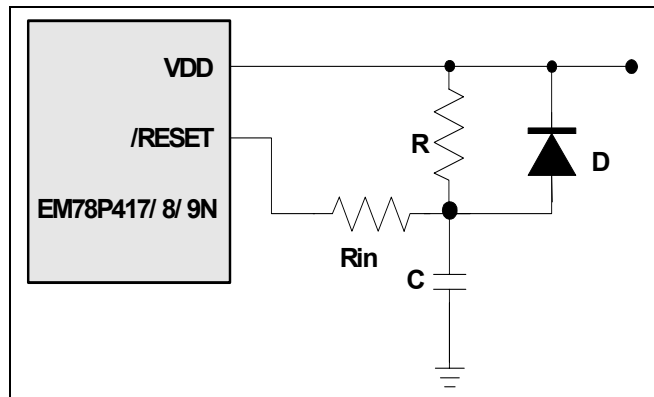


Fig. 6-18 External Power on Reset Circuit

the current leakage from the /RESET pin is about  $\pm 5\mu A$ , it is recommended that R should not be great than 40 K. This way, the voltage at Pin /RESET is held below 0.2V. The diode (D) acts as a short circuit at power-down. The "C" capacitor is discharged rapidly and fully.  $R_{in}$ , the current-limited resistor, prevents high current discharge or ESD (electrostatic discharge) from flowing into Pin /RESET.

### 6.12.2 Residual Voltage Protection

When the battery is replaced, device power (V<sub>DD</sub>) is removed but residual voltage remains. The residual voltage may trip below V<sub>DD</sub> minimum, but not to zero. This condition may cause a poor power on reset. Fig. 6-16 and Fig. 6-20 show how to create a protection circuit against residual voltage.

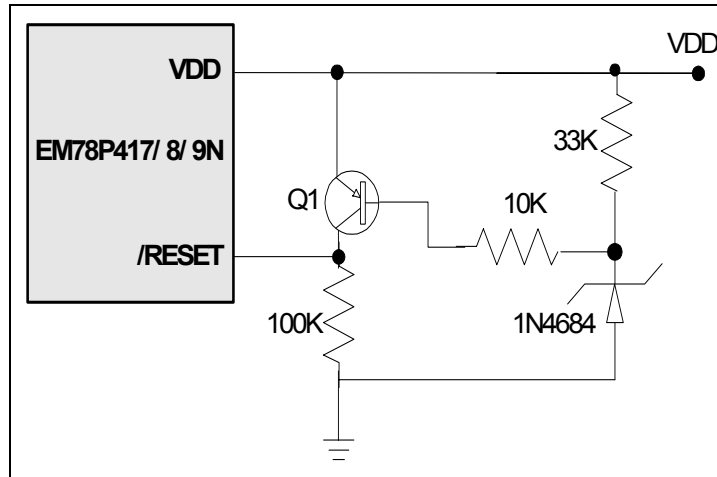


Fig. 6-19 Residual Voltage Protection Circuit 1

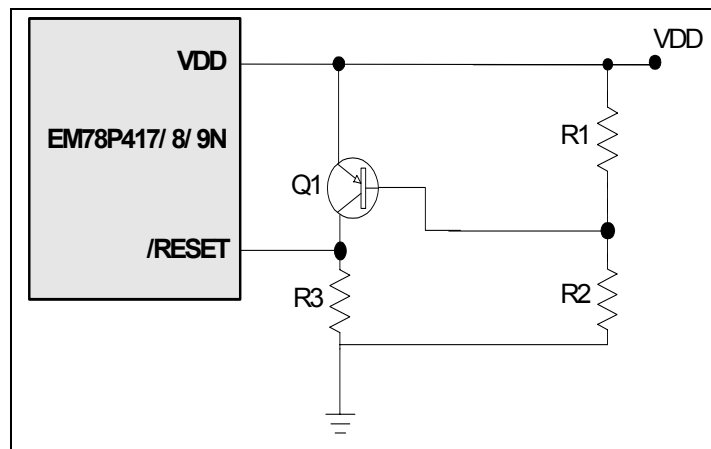


Fig. 6-20 Residual Voltage Protection Circuit 2

### 6.13 Code Option

EM78P417/8/9N has two CODE option words and one Customer ID word that are not a part of the normal program memory.

Word 0	Word1	Word 2
Bit12 ~ Bit0	Bit12 ~ Bit0	Bit12 ~ Bit0



### 6.13.1 Code Option Register (Word 0)

WORD 0												
Bit 12	Bit 11	Bit 10	Bit 9	Bit 8	Bit 7	Bit 6	Bit 5	Bit 4	Bit 3	Bit 2	Bit 1	Bit 0
-	-	-	TYPE	CLKS	ENWDTB	OSC2	OSC1	OSC0	HLP	PR2	PR1	PR0

- Bit 12 ~ 10:** Not used (reserved). These bits are set to "1" all the time
- Bit 9 (TYPE):** Type selection for EM78P419N or EM78P418N or EM78P417N.  
0 = EM78P419N  
1 = EM78P417N/EM78P418N (default)
- Bit 8 (CLKS):** Instruction time period option bit  
0 = two oscillator time periods  
1 = four oscillator time periods (default)  
Refer to the Section 6.15 for Instruction Set
- Bit 7 (ENWDTB):** Watchdog timer enable bit  
0 = Enable  
1 = Disable (default)

**Bit 6, 5 & 4 (OSC2, OSC1 & OSC0):** Oscillator Modes Selection bits

Oscillator Modes	OSC2	OSC1	OSC0
ERC <sup>1</sup> (External RC oscillator mode); P54/OSCO acts as P54	0	0	0
ERC <sup>1</sup> (External RC oscillator mode); P54/OSCO acts as OSCO	0	0	1
IRC <sup>2</sup> (Internal RC oscillator mode); P54/OSCO acts as P54	0	1	0
IRC <sup>2</sup> (Internal RC oscillator mode); P54/OSCO acts as OSCO	0	1	1
LXT <sup>3</sup> (Low XTAL oscillator mode)	1	1	0
HXT <sup>3</sup> (High XTAL oscillator mode) (default)	1	1	1

<sup>1</sup> Under ERC mode, OSC1 is used as oscillator pin. OSCO/P54 is defined by code option WORD0 Bit6 ~ Bit4.

<sup>2</sup> Under IRC mode, P55 is normal I/O pin. OSCO/P54 is defined by code option WORD0 Bit6 ~ Bit4.

<sup>3</sup> Under LXT and HXT modes; OSC1 and OSC0 are used as oscillator pins. These pins cannot and should not be defined as normal I/O pins.

#### NOTE

*The transient point of the system frequency between HXT and LXY is around 400kHz.*

- Bit 3 (HLP):** Power consumption selection  
0 = Low power consumption, applies to working frequency at 4MHz or below 4MHz  
1 = High power consumption, applies to working frequency above 4MHz



**Bit 2 ~ 0 (PR2 ~ PR0):** Protect Bit

PR2 ~ PR0 are protect bits. Each protect status is as follows:

PR2	PR1	PR0	Protect
0	0	0	Enable
0	0	1	Enable
0	1	0	Enable
0	1	1	Enable
1	0	0	Enable
1	0	1	Enable
1	1	0	Enable
1	1	1	Disable

### 6.13.2 Code Option Register (Word 1)

WORD 1												
Bit 12	Bit 11	Bit 10	Bit 9	Bit 8	Bit 7	Bit 6	Bit 5	Bit 4	Bit 3	Bit 2	Bit 1	Bit 0
-	-	-	-	NRHL	NRE	CYES	C3	C2	C1	C0	RCM1	RCM0

**Bits 12 ~ 9:** Not used (reserved). These bits are set to "1" all the time

**Bit 8 (NRHL):** Noise rejection high/low pulses define bit. INT pin is falling edge trigger

0 = Pulses equal to  $8/f_c$  [s] is regarded as signal.

1 = Pulses equal to  $32/f_c$  [s] is regarded as signal.

(default)

**NOTE**

*The noise rejection function is turned off under the LXT and sleep mode.*

**Bit 7 (NRE):** Noise rejection enable

0 = disable noise rejection

1 = enable noise rejection (default). However under Low XTAL oscillator (LXT) mode, the noise rejection circuit always disabled.

**Bit 6 (CYES):** Instruction cycle selection bit

0 = one instruction cycle

1 = two instruction cycles (default)

**Bits 5, 4, 3 & Bit2 ( C3, C2, C1, & C0 ): Calibrator of internal RC mode. These bits must always be set to "1" only (auto calibration)**



Bit 1 & Bit 0 (RCM1 & RCM0): RC mode selection bits

RCM 1	RCM 0	Frequency(MHz)
1	1	4
1	0	8
0	1	1
0	0	455kHz

### 6.13.3 Customer ID Register (Word 2)

WORD 2												
Bit 12	Bit 11	Bit 10	Bit 9	Bit 8	Bit 7	Bit 6	Bit 5	Bit 4	Bit 3	Bit 2	Bit 1	Bit 0
X	X	X	X	X	X	X	X	X	X	X	X	X

Bit 12 ~ 0 : Customer's ID code

## 6.14 Instruction Set

Each instruction in the instruction set is a 13-bit word divided into an OP code and one or more operands. Normally, all instructions are executed within one single instruction cycle (one instruction consists of 2 oscillator time periods), unless the program counter is changed by instructions "MOV R2,A," "ADD R2,A," or by instructions of arithmetic or logic operation on R2 (e.g., "SUB R2,A," "BS(C) R2,6," "CLR R2," etc.). In this case, these instructions need one or two instruction cycles as determined by Code Option Register CYES bit.

In addition, the instruction set has the following features:

1. Every bit of any register can be set, cleared, or tested directly.
2. The I/O registers can be regarded as general registers. That is, the same instruction can operate on I/O registers.

The symbol "R" represents a register designator that specifies which one of the registers (including operational registers and general-purpose registers) is to be utilized by the instruction. The symbol "b" represents a bit field designator that selects the value for the bit located in the register "R" that is affected by the operation. The symbol "k" represents an 8 or 10-bit constant or literal value.



The following are the list of the EM78P417/8/9N instruction set

Instruction Binary	HEX	Mnemonic	Operation	Status Affected
0 0000 0000 0000	0000	NOP	No Operation	None
0 0000 0000 0001	0001	DAA	Decimal Adjust A	C
0 0000 0000 0010	0002	CONTW	A → CONT	None
0 0000 0000 0011	0003	SLEP	0 → WDT, Stop oscillator	T,P
0 0000 0000 0100	0004	WDTC	0 → WDT	T,P
0 0000 0000 rrrr	000r	IOW R	A → IOCR	None <sup>1</sup>
0 0000 0001 0000	0010	ENI	Enable Interrupt	None
0 0000 0001 0001	0011	DISI	Disable Interrupt	None
0 0000 0001 0010	0012	RET	[Top of Stack] → PC	None
0 0000 0001 0011	0013	RETI	[Top of Stack] → PC, Enable Interrupt	None
0 0000 0001 0100	0014	CONTR	CONT → A	None
0 0000 0001 rrrr	001r	IOR R	IOCR → A	None <sup>1</sup>
0 0000 01rr rrrr	00rr	MOV R,A	A → R	None
0 0000 1000 0000	0080	CLRA	0 → A	Z
0 0000 11rr rrrr	00rr	CLR R	0 → R	Z
0 0001 00rr rrrr	01rr	SUB A,R	R-A → A	Z,C,DC
0 0001 01rr rrrr	01rr	SUB R,A	R-A → R	Z,C,DC
0 0001 10rr rrrr	01rr	DECA R	R-1 → A	Z
0 0001 11rr rrrr	01rr	DEC R	R-1 → R	Z
0 0010 00rr rrrr	02rr	OR A,R	A ∨ VR → A	Z
0 0010 01rr rrrr	02rr	OR R,A	A ∨ VR → R	Z
0 0010 10rr rrrr	02rr	AND A,R	A & R → A	Z
0 0010 11rr rrrr	02rr	AND R,A	A & R → R	Z
0 0011 00rr rrrr	03rr	XOR A,R	A ⊕ R → A	Z
0 0011 01rr rrrr	03rr	XOR R,A	A ⊕ R → R	Z
0 0011 10rr rrrr	03rr	ADD A,R	A + R → A	Z,C,DC
0 0011 11rr rrrr	03rr	ADD R,A	A + R → R	Z,C,DC
0 0100 00rr rrrr	04rr	MOV A,R	R → A	Z
0 0100 01rr rrrr	04rr	MOV R,R	R → R	Z
0 0100 10rr rrrr	04rr	COMA R	/R → A	Z
0 0100 11rr rrrr	04rr	COM R	/R → R	Z
0 0101 00rr rrrr	05rr	INCA R	R+1 → A	Z
0 0101 01rr rrrr	05rr	INC R	R+1 → R	Z
0 0101 10rr rrrr	05rr	DJZA R	R-1 → A, skip if zero	None
0 0101 11rr rrrr	05rr	DJZ R	R-1 → R, skip if zero	None
0 0110 00rr rrrr	06rr	RRCA R	R(n) → A(n-1),R(0) → C, C → A(7)	C
0 0110 01rr rrrr	06rr	RRC R	R(n) → R(n-1),R(0) → C, C → R(7)	C
0 0110 10rr rrrr	06rr	RLCA R	R(n) → A(n+1),R(7) → C, C → A(0)	C
0 0110 11rr rrrr	06rr	RLC R	R(n) → R(n+1),R(7) → C, C → R(0)	C
0 0111 00rr rrrr	07rr	SWAPA R	R(0-3) → A(4-7),R(4-7) → A(0-3)	None
0 0111 01rr rrrr	07rr	SWAP R	R(0-3) ↔ R(4-7)	None
0 0111 10rr rrrr	07rr	JZA R	R+1 → A, skip if zero	None
0 0111 11rr rrrr	07rr	JZ R	R+1 → R, skip if zero	None
0 100b brrr rrrr	0xxx	BC R,b	0 → R(b)	None <sup>2</sup>
0 101b brrr rrrr	0xxx	BS R,b	1 → R(b)	None <sup>3</sup>
0 110b brrr rrrr	0xxx	JBC R,b	if R(b)=0, skip	None
0 111b brrr rrrr	0xxx	JBS R,b	if R(b)=1, skip	None
1 00kk kkkk kkkk	1kkk	CALL k	PC+1 → [SP],[Page, k] → PC	None



Instruction Binary	HEX	Mnemonic	Operation	Status Affected
1 01kk kkkk kkkk	1kkk	JMP k	(Page, k) → PC	None
1 1000 kkkk kkkk	18kk	MOV A,k	k → A	None
1 1001 kkkk kkkk	19kk	OR A,k	A ∨ k → A	Z
1 1010 kkkk kkkk	1Akk	AND A,k	A & k → A	Z
1 1011 kkkk kkkk	1Bkk	XOR A,k	A ⊕ k → A	Z
1 1100 kkkk kkkk	1Ckk	RETL k	k → A,[Top of Stack] → PC	None
1 1101 kkkk kkkk	1Dkk	SUB A,k	k-A → A	Z,C,DC
1 1111 kkkk kkkk	1Fkk	ADD A,k	k+A → A	Z,C,DC

<sup>1</sup> This instruction is applicable to IOC50 ~ IOCF0, IOC51 ~ IOCF1 only.

<sup>2</sup> This instruction is not recommended for RF operation.

<sup>3</sup> This instruction cannot operate under RF.

## 7 Absolute Maximum Ratings

Items	Rating		
Temperature under bias	-40°C	to	85°C
Storage temperature	-65°C	to	150°C
Input voltage	V <sub>ss</sub> -0.3V	to	V <sub>dd</sub> +0.5V
Output voltage	V <sub>ss</sub> -0.3V	to	V <sub>dd</sub> +0.5V
Working Voltage	2.5V	to	5.5V
Working Frequency	DC	to	20MHz





## 8 DC Electrical Characteristics

(Ta= 25 °C, VDD= 5.0V, VSS= 0V )

Symbol	Parameter	Condition	Min.	Typ.	Max.	Unit
FXT	XTAL: VDD to 5V	Two cycle with two clocks	DC		20	MHz
	XTAL: VDD to 3V		DC		8	MHz
	ERC: VDD to 5V	R: 5.1KΩ, C: 100 pF	F±30%	850	F±30%	KHz
IRC1	IRC:VDD to 5V	RCM0:RCM1=1:1	3.84	4.0	4.16	MHz
IRC2	IRC:VDD to 5V	RCM0:RCM1=1:0	7.68	8.0	8.32	MHz
IRC3	IRC:VDD to 5V	RCM0:RCM1=0:1	0.96	1.0	1.06	MHz
IRC4	IRC:VDD to 5V	RCM0:RCM1=0:0	436.8	455	473.2	KHz
VIHRC	Input High Threshold Voltage (Schmitt trigger )	OSCI in RC mode		3.5		V
VILRC	Input Low Threshold Voltage (Schmitt trigger )	OSCI in RC mode		1.5		V
IIL	Input Leakage Current for input pins	VIN = VDD, VSS	-1.0	0	1.0	μA
VIH1	Input High Voltage (Schmitt trigger )	Ports 5, 6, 7		3.75		V
VIL1	Input Low Voltage (Schmitt trigger )	Ports 5, 6, 7		1.25		V
VIHT1	Input High Threshold Voltage (Schmitt trigger )	/RESET		2.0		V
VILT1	Input Low Threshold Voltage (Schmitt trigger )	/RESET		1.0		V
VIHT2	Input High Threshold Voltage (Schmitt trigger )	TCC,INT		3.75		V
VILT2	Input Low Threshold Voltage (Schmitt trigger )	TCC,INT		1.25		V
VIHX1	Clock Input High Voltage	OSCI in crystal mode		3.5		V
VILX1	Clock Input Low Voltage	OSCI in crystal mode		1.5		V
IOH1	Output High Voltage (Ports 5, 6, 7)	VOH = VDD-0.5V (IOH =-6mA)		-6.0		mA
IOL1	Output Low Voltage (Ports 5, 6,7)	VOL = GND+0.5V (IOL =12mA)		12.0		mA
IPH	Pull-high current	Pull-high active, input pin at VSS	-50	-75	-240	μA
IPL	Pull-low current	Pull-low active, input pin at Vdd	25	40	120	μA
ISB1	Power down current	All input and I/O pins at VDD, output pin floating, WDT disabled		1.0	2.0	μA
ISB2	Power down current	All input and I/O pins at VDD, output pin floating, WDT enabled			15	μA
ICC1	Operating supply current at two clocks	/RESET= 'High', Fosc=32KHz (Crystal type,CLKS="0"), output pin floating, WDT disabled	15	20	35	μA
ICC2	Operating supply current at two clocks	/RESET= 'High', Fosc=32KHz (Crystal type,CLKS="0"), output pin floating, WDT enabled		25	35	μA
ICC3	Operating supply current at two clocks	/RESET= 'High', Fosc=4MHz (Crystal type, CLKs="0"), output pin floating, WDT enabled		1.7	2.2	mA
ICC4	Operating supply current at two clocks	/RESET= 'High', Fosc=10MHz (Crystal type, CLKs="0"), output pin floating, WDT enabled		3.0	3.5	mA

## 8.1 AD Converter Characteristic

(V<sub>dd</sub>=2.5V to 5.5V, V<sub>ss</sub>=0V, T<sub>a</sub>=25 )

Symbol	Parameter	Condition	Min.	Typ.	Max.	Unit
V <sub>AREF</sub>	Analog reference voltage	V <sub>AREF</sub> - V <sub>ASS</sub> 2.5V	2.5		V <sub>dd</sub>	V
V <sub>ASS</sub>			V <sub>ss</sub>		V <sub>ss</sub>	V
V <sub>AI</sub>	Analog input voltage		V <sub>ASS</sub>		V <sub>AREF</sub>	V
IAI1	Analog supply current	V <sub>dd</sub> =V <sub>AREF</sub> =5.0V, V <sub>ASS</sub> =0.0V(V reference from V <sub>dd</sub> )	750	850	1000	μA
			-10	0	+10	μA
IAI2	Analog supply current	V <sub>dd</sub> =V <sub>AREF</sub> =5.0V, V <sub>ASS</sub> =0.0V(V reference from V <sub>REF</sub> )	500	600	820	μA
			200	250	300	μA
IOP	OP current	V <sub>dd</sub> =5.0V, OP used Output voltage swing 0.2V to 4.8V	450	550	650	μA
RN	Resolution	V <sub>dd</sub> =V <sub>AREF</sub> =5.0V, V <sub>ASS</sub> =0.0V	10	11		Bits
LN	Linearity error	V <sub>dd</sub> = 2.5 to 5.5V T <sub>a</sub> =25	0	±4	±8	LSB
DNL	Differential nonlinear error	V <sub>dd</sub> = 2.5 to 5.5V T <sub>a</sub> =25	0	±0.5	±0.9	LSB
FSE	Full scale error	V <sub>dd</sub> =V <sub>AREF</sub> =5.0V, V <sub>ASS</sub> =0.0V	±0	±4	±8	LSB
OE	Offset error	V <sub>dd</sub> =V <sub>AREF</sub> =5.0V, V <sub>ASS</sub> =0.0V	±0	±2	±4	LSB
ZAI	Recommended impedance of analog voltage source		0	8	10	KΩ
TAD	ADC clock duration	V <sub>dd</sub> =V <sub>AREF</sub> =5.0V, V <sub>ASS</sub> =0.0V	4			us
TCN	AD conversion time	V <sub>dd</sub> =V <sub>AREF</sub> =5.0V, V <sub>ASS</sub> =0.0V	15		15	TAD
ADIV	ADC OP input voltage range	V <sub>dd</sub> =V <sub>AREF</sub> =5.0V, V <sub>ASS</sub> =0.0V	0		V <sub>AREF</sub>	V
ADOV	ADC OP output voltage swing	V <sub>dd</sub> =V <sub>AREF</sub> =5.0V, V <sub>ASS</sub> =0.0V, R <sub>L</sub> =10KΩ	0	0.2	0.3	V
			4.7	4.8	5	
ADSR	ADC OP slew rate	V <sub>dd</sub> =V <sub>AREF</sub> =5.0V, V <sub>ASS</sub> =0.0V	0.1	0.3		V/us
PSR	Power Supply Rejection	V <sub>dd</sub> =5.0V±0.5V	±0		±2	LSB

- NOTE:**
1. These parameters are hypothetical (not tested) and are provided for design reference only.
  2. There is no current consumption when ADC is off other than minor leakage current.
  3. AD conversion result will not decrease when the input voltage is increased, and no missing code will result.
  4. These parameters are subject to change without further notice.

## 8.2 Comparator (OP) Characteristic

(V<sub>dd</sub> = 5.0V, V<sub>ss</sub> = 0V, T<sub>a</sub> = 25 °C)

Symbol	Parameter	Condition	Min.	Typ.	Max.	Unit
SR	Slew rate		0.1	0.2		V/us
IVR	Input voltage range	V <sub>dd</sub> = 5.0V, V <sub>ss</sub> = 0.0V	0		5	V
OVS	Output voltage swing	V <sub>d</sub> = 5.0V, V <sub>SS</sub> = 0.0V, R <sub>L</sub> = 10KΩ	0 4.7	0.2 4.8	0.3 5	V
I <sub>op</sub>	Supply current of OP		250	350	500	uA
I <sub>co</sub>	Supply current of Comparator			300		uA
PSRR	Power-supply Rejection Ration for OP	V <sub>dd</sub> = 5.0V, V <sub>SS</sub> = 0.0V	50	60	70	dB
V <sub>s</sub>	Operating range		2.5		5.5	V

**NOTE:** 1. These parameters are hypothetical (not tested) and are provided for design reference only.  
2. These parameters are subject to change without further notice.

## 8.3 Device Characteristics

The graphs below were derived based on a limited number of samples and they are provided for reference only. Hence, the device characteristic shown herein cannot be guaranteed as fully accurate. In these graphs, the data maybe out of the specified operating warranted range.

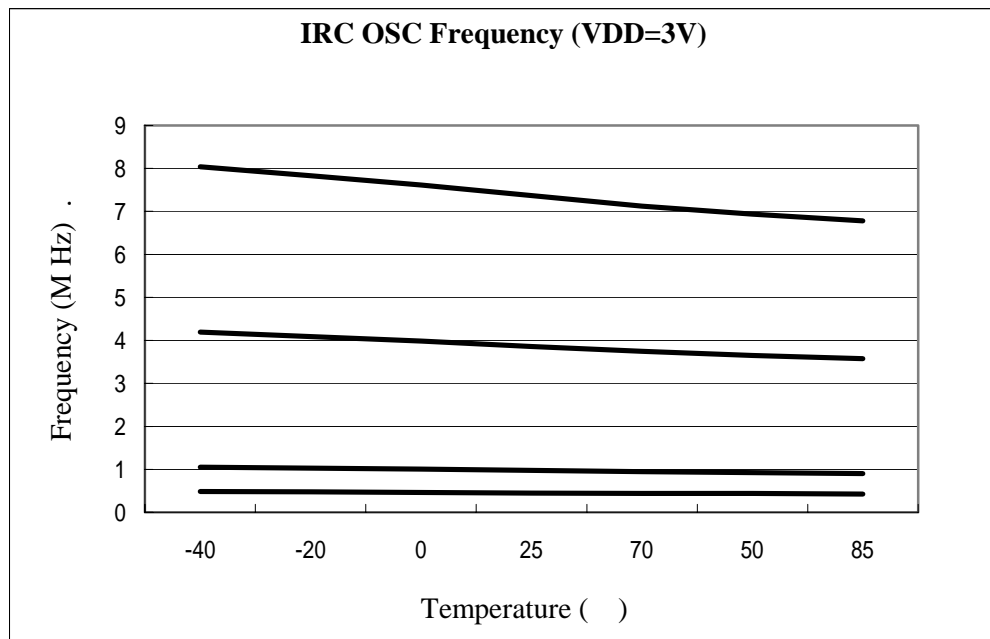


Fig. 8-1 Internal RC OSC Frequency vs. Temperature, VDD=3V

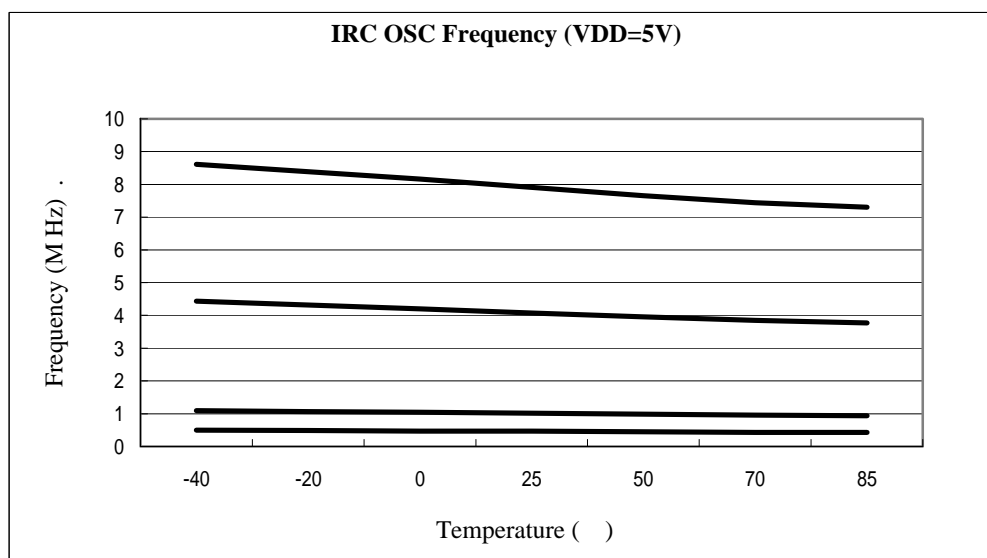


Fig. 8-2 Internal RC OSC Frequency vs. Temperature, VDD=5V

## 9 AC Electrical Characteristic

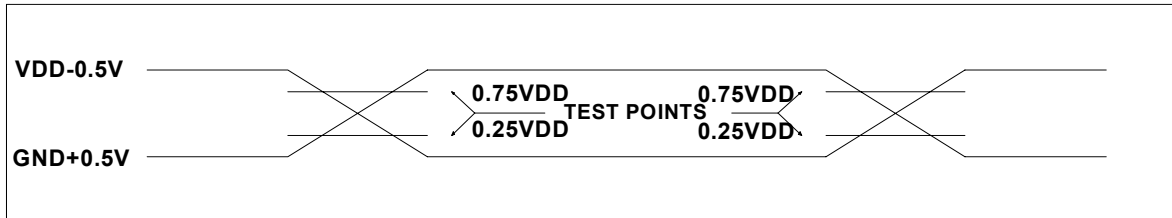
(Ta=25 °C, VDD=5V±5%, VSS=0V)

Symbol	Parameter	Conditions	Min	Type	Max	Unit
Dclk	Input CLK duty cycle		45	50	55	%
Tins	Instruction cycle time (CLKS="0")	Crystal type	100		DC	ns
		RC type	500		DC	ns
Ttcc	TCC input time period		(Tins+20)/N*			ns
Tdrh	Device reset hold time	Ta = 25°C	11.3	16.2	21.6	ms
Trst	/RESET pulse width	Ta = 25°C	2000			ns
Twdt	Watchdog timer duration	Ta = 25°C	11.3	16.2	21.6	ms
Tset	Input pin setup time			0		ns
Thold	Input pin hold time		15	20	25	ns
Tdelay	Output pin delay time	Cload=20pF	45	50	55	ns
Tdrc	ERC delay time	Ta = 25°C	1	3	5	ns

\* N = selected prescaler ratio

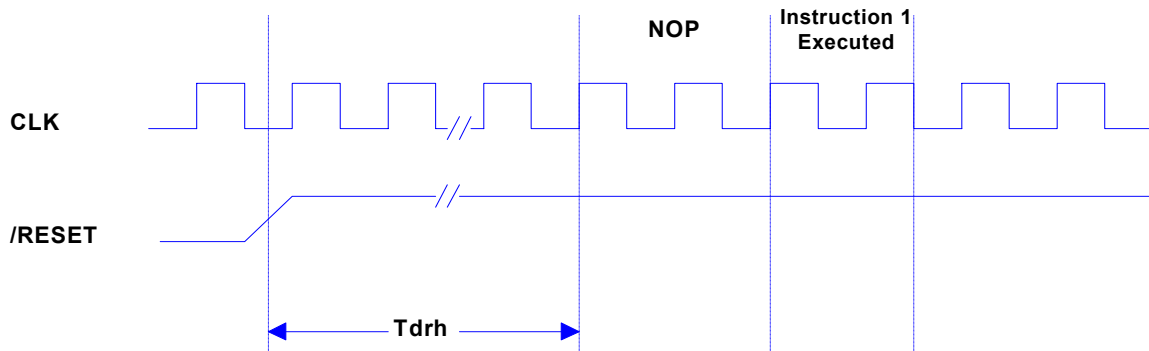
## 10 Timing Diagrams

### AC Test Input/Output Waveform

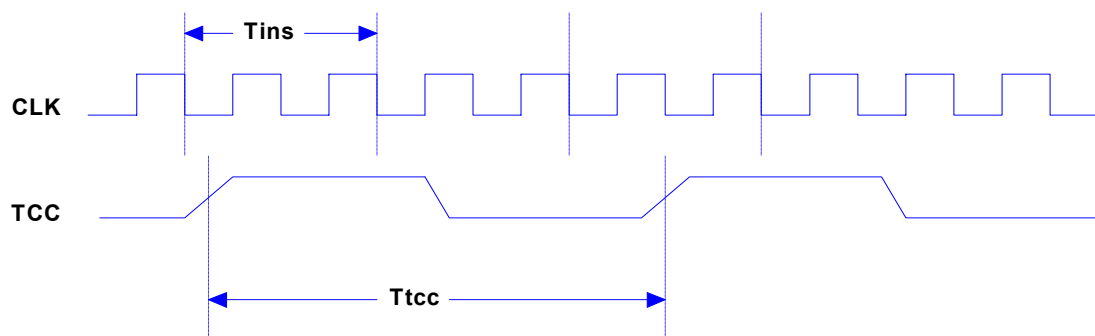


AC Testing : Input is driven at VDD-0.5V for logic "1",and GND+0.5V for logic "0".Timing measurements are made at 0.75VDD for logic "1",and 0.25VDD for logic "0".

### RESET Timing (CLK="0")



### TCC Input Timing (CLKS="0")



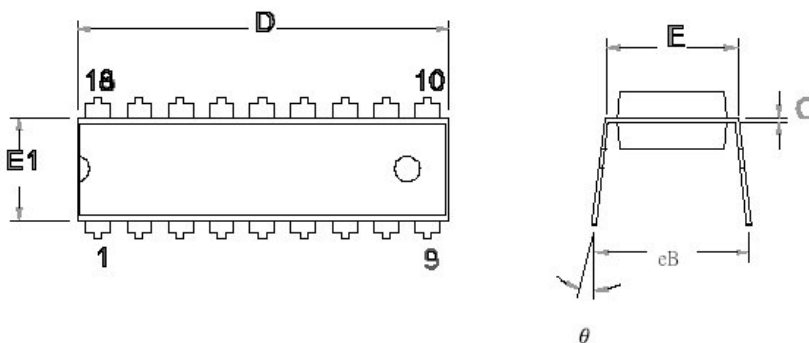
## APPENDIX

### A Package Types

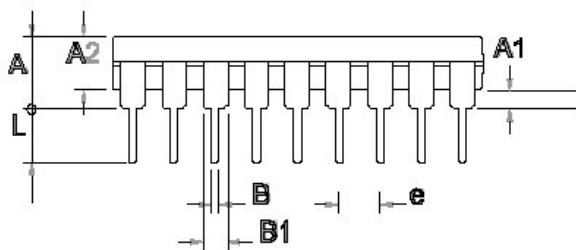
OTP MCU	Package Type	Pin Count	Package Size
EM78P417NP	DIP	18 pin	300mil
EM78P417NM	SOP	18 pin	300mil
EM78P418NP	DIP	20 pin	300mil
EM78P418NM	SOP	20 pin	300mil
EM78P419NK	Skinny DIP	24 pin	300mil
EM78P419NM	SOP	24 pin	300mil


### B Packaging Configurations

#### B.1 18-Lead Plastic Dual in line (PDIP) — 300 mil

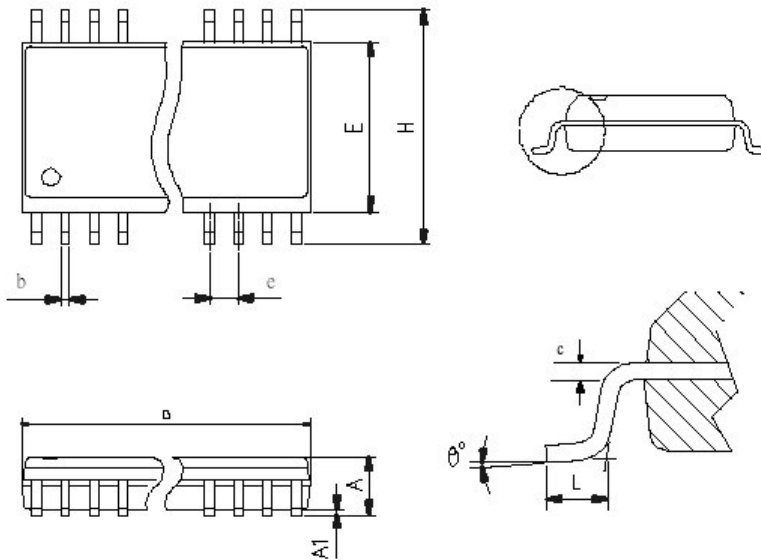


Symbal	Min	Normal	Max
A			4.450
A1	0.381		
A2	3.175	3.302	3.429
c	0.203	0.254	0.356
D	22.610	22.860	23.110
E1	6.220	6.438	6.655
E	7.370	7.620	7.870
eB	8.510	9.020	9.530
B	0.356	0.457	0.559
B1	1.143	1.524	1.778
L	3.048	3.302	3.556
e	2.540(TYP)		
$\theta$	0		15




TITLE: PDIP-18L 300MIL PACKAGE OUTLINE DIMENSION	
File: D18	Edition: A
	Unit: mm
	Scale: Free
	Material:
	Sheet: 1 of 1

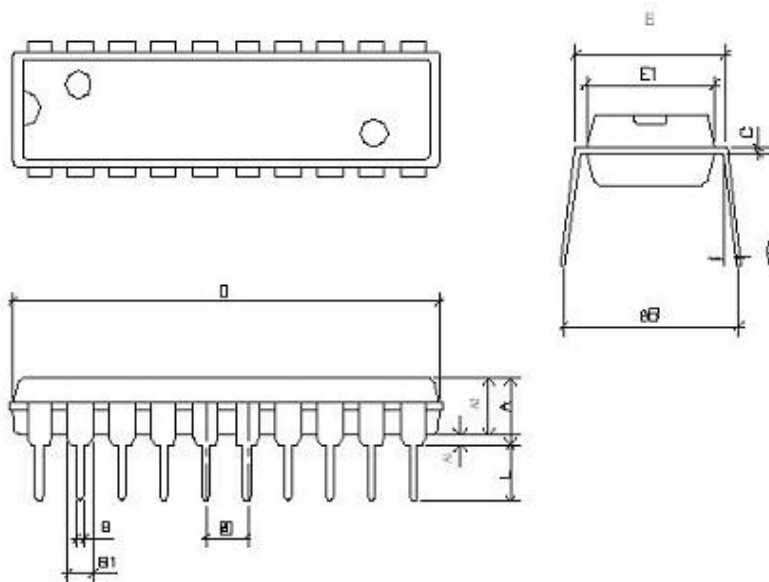
**B.2 18-Lead Plastic Small Outline (SOP) — 300 mil**



Symbol	Min	Normal	Max
A	2.350		2.650
A1	0.102		0.300
b	0.406(TYP)		
c	0.230		0.320
E	7.400		7.600
H	10.000		10.650
D	11.350		11.750
L	0.406	0.838	1.270
e	1.27(TYP)		
$\theta'$	0		8

TITLE: SOP-18L(300MIL) PACKAGE OUTLINE DIMENSION	
File : SO18	Edition: A
	Unit : mm
	Scale: Free
	Material:
	Sheet: 1 of 1

### B.3 20-Lead Plastic Dual in line (PDIP) — 300 mil

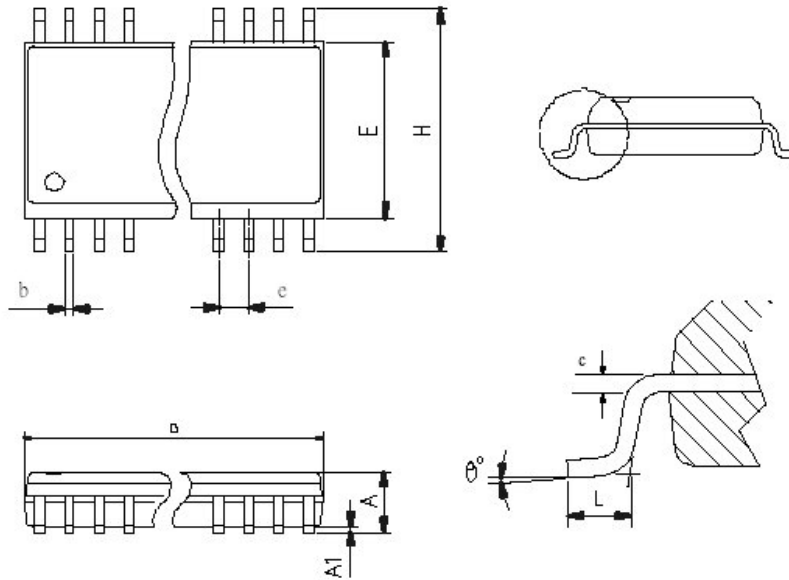


Symbol	Min	Normal	Max
A			4.450
A1	0.381		
A2	3.175	3.302	3.429
c	0.203	0.254	0.356
D	25.883	26.060	26.237
E1	6.220	6.438	6.655
E	7.370	7.620	7.870
eB	8.510	9.020	9.530
B	0.356	0.457	0.559
B1	1.143	1.524	1.778
L	3.048	3.302	3.556
e	2.540(TYP)		
$\theta$	0		15


TITLE: PDIP-30L 300ML PACKAGE OUTLINE DIMENSION	
File: D20	Edition: A
	Unit: mm
	Scale: Free
	Material:
	Sheet: 1 of 1



### B.4 20-Lead Plastic Small Outline (SOP) — 300 mil

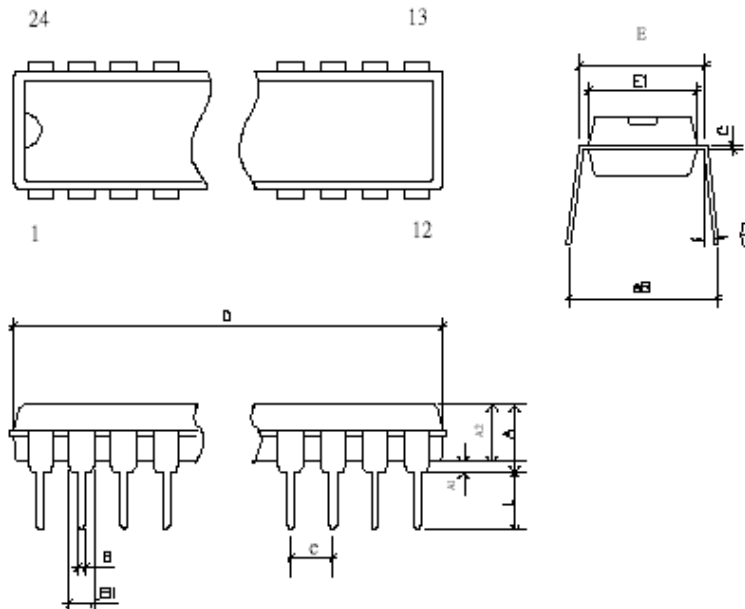


Symbol	Min	Normal	Max
A	2.350		2.650
A1	0.102		0.300
b	0.406(TYP)		
c	0.230		0.320
E	7.400		7.600
H	10.000		10.650
D	12.600		12.900
L	0.630	0.838	1.100
e	1.27(TYP)		
$\theta^\circ$	0		8

TITLE: SOP-20L(300ML) PACKAGE OUTLINE DIMENSION	
File : SO20	Edition: A
	Unit : mm
	Scale: Free
	Material:
Sheet: 1 of 1	



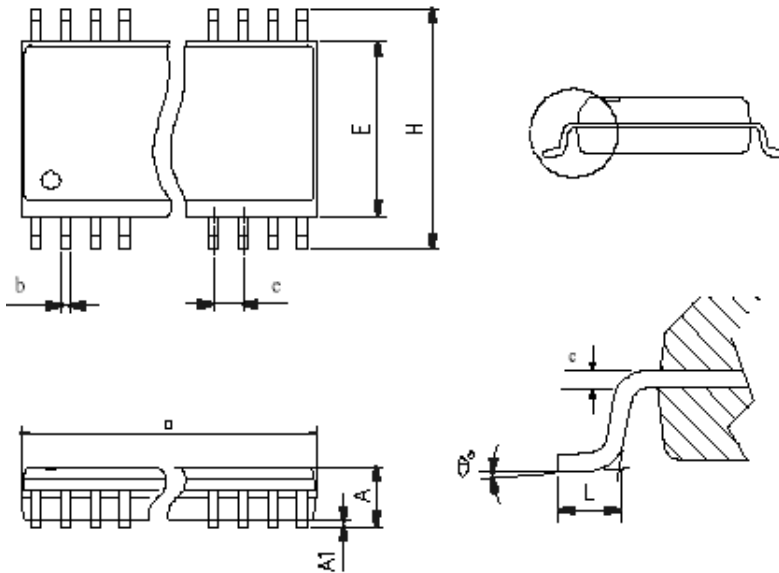
### B.5 24-Lead Plastic Dual in line (PDIP) — 300 mil



Symbol	Min	Normal	Max
A			5.334
A1	0.381		
A2	3.175	3.302	3.429
c	0.203	0.254	0.356
D	31.750	31.801	31.852
E1	6.426	6.628	6.830
E	7.370	7.620	7.870
eB	8.380	8.950	9.520
B	0.356	0.457	0.559
B1	1.470	1.520	1.630
L	3.048	3.302	3.556
e	2.540(TYP)		
$\phi$	0		15

TITLE: PDIP-24L SKINNY 300MIL PACKAGE OUTLINE DIMENSION	
File: K24	Edition: A
	Unit: mm
	Scale: Free
	Material:
Sheet: 1 of 1	

**B.6 24-Lead Plastic Small Outline (SOP) — 300 mil**



Symbol	Min	Normal	Max
A	2.350		2.650
A1	0.102		0.300
b	0.406(TYP)		
c	0.230		0.320
E	7.400		7.600
H	10.000		10.650
D	15.200		15.600
L	0.630	0.838	1.100
e	1.27(TYP)		
$\theta^*$	0		8

TITLE	
SOP-24(300MIL) PACKAGE OUTLINE	
DIMENSION	
File:	SO24
Edition:	A
	Unit: mm
	Scale: Free
	Material:
	Sheet: 1 of 1



## C Quality Assurance and Reliability

Test Category	Test Conditions	Remarks
Solderability	Solder temperature=245±5 , for 5 seconds up to the stopper using a rosin-type flux	
Pre-condition	Step 1: TCT, 65 (15mins)~150 (15mins), 10 cycles	For SMD IC (such as SOP, QFP, SOJ, etc)
	Step 2: Bake at 125 , TD (endurance)=24 hrs	
	Step 3: Soak at 30°C/60% , TD (endurance)=192 hrs	
	Step 4: IR flow 3 cycles (Pkg thickness 2.5mm or Pkg volume 350mm <sup>3</sup> ----225±5 ) (Pkg thickness 2.5mm or Pkg volume 350mm <sup>3</sup> ----240±5 )	
Temperature cycle test	-65 (15mins)~150 (15mins), 200 cycles	
Pressure cooker test	TA =121 , RH=100%, pressure=2 atm, TD (endurance)= 96 hrs	
High temperature / High humidity test	TA=85 , RH=85% , TD (endurance)=168 , 500 hrs	
High-temperature storage life	TA=150 , TD (endurance)=500, 1000 hrs	
High-temperature operating life	TA=125 , VCC=Max. operating voltage, TD (endurance) =168, 500, 1000 hrs	
Latch-up	TA=25 , VCC=Max. operating voltage, 150mA/20V	
ESD (HBM)	TA=25 , ± 3KV	IP_ND,OP_ND,IO_ND IP_NS,OP_NS,IO_NS IP_PD,OP_PD,IO_PD,
ESD (MM)	TA=25 , ± 300V	IP_PS,OP_PS,IO_PS, VDD-VSS(+),VDD_VSS (-)mode

### C.1 Address Trap Detect

An address trap detect is one of the MCU embedded fail-safe functions that detects MCU malfunction caused by noise or the like. Whenever the MCU attempts to fetch an instruction from a certain section of ROM, an internal recovery circuit is auto started. If a noise caused address error is detected, the MCU will repeat execution of the program until the noise is eliminated. The MCU will then continue to execute the next program.