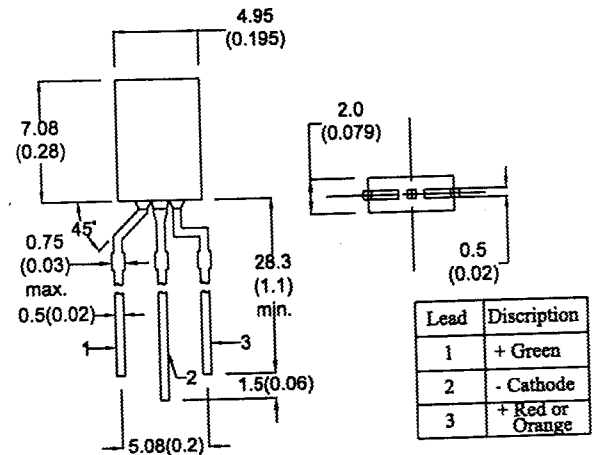


DESCRIPTION

A yellow and green lamp made of GaAsP, GaP offering a changing color characteristic dependent on the direction the lamp is biased. These two light emitting diodes are mounted in a rectangular 2mm x 5mm clear transparent lens.



- All dimension in mm(inch)
- No Scale
- Tol. : +/-0.3mm

ABSOLUTE MAXIMUM RATINGS

Power Dissipation @ Ta=25°C
 Forward Current, DC (IF)
 Reverse Voltage
 Operating & Storage Temperature Range
 Lead Temperature

YELLOW

60mW
 20mA
 5V

GREEN

100mW
 30mA
 5V
 -55 to +100°C
 260°C

ELECTRO-OPTICAL CHARACTERISTICS

(Ta=25°C)

PARAMETER	SYMBOL	Yellow	Green	UNIT	CONDITIONS
Forward Voltage	MAX VF	3.0	3.0	V	IF=20mA
Reverse Breakdown Voltage	MIN BVR	5	5	V	IR=100μA
Luminous Intensity	MIN IV	4	6	mcd	IF=20mA
	TYP	6	10	mcd	
Peak Wavelength	TYP λp	585	570	nm	IF=20mA
Spectral Line Half Width	TYP Δλ	35	30	nm	IF=20mA



MICRO ELECTRONICS LTD.

38, Hung To Road, Microtron Building, Kwun Tong, Kowloon, Hong Kong.

Kwun Tong P.O. Box 69477 Hong Kong. Fax No. 2341 0321 Telex:43510 Micro Hx. Tel: 2343 0181-5