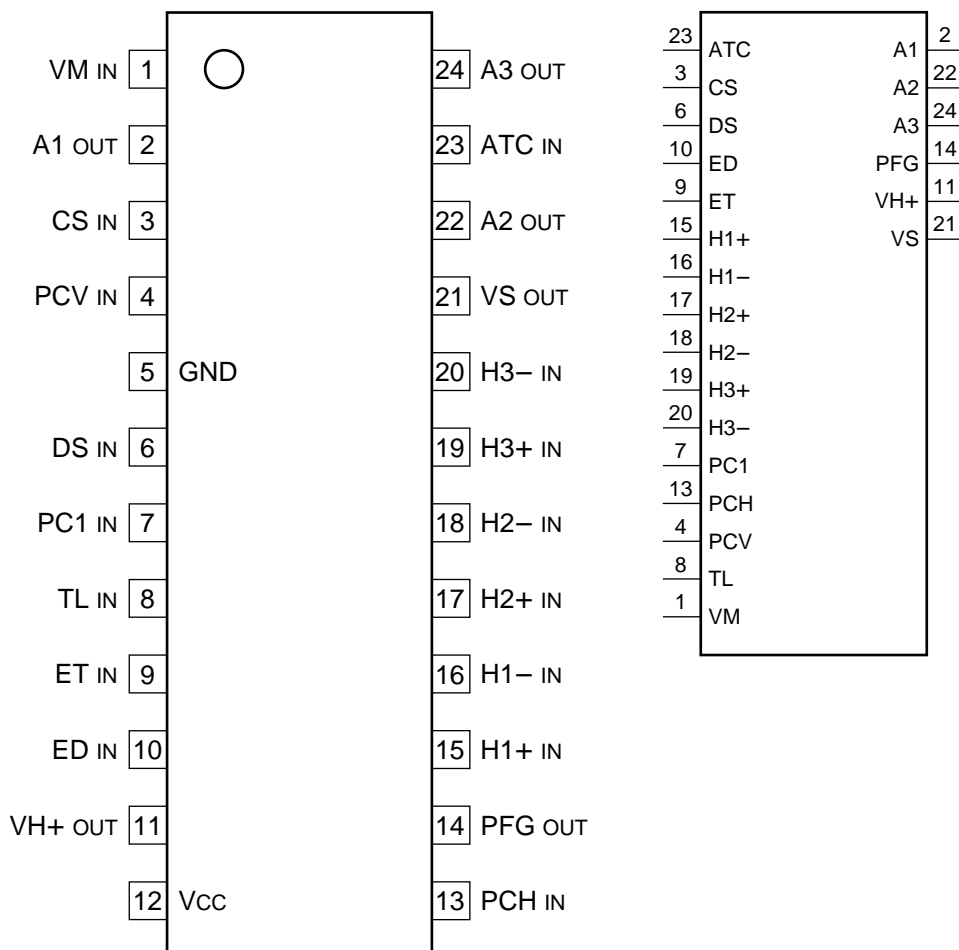


REEL DRIVE

—TOP VIEW—

**INPUT**

ATC	: ALL TERMINAL CURRENT
CS	: CURRENT SENSE
DS	: DISABLE
ED	: DIRECTION CONTROL
ET	: TORQUE CONTROL
H1+, H2+, H3+	: HOLE ELEMENT POSITIVE
H1-, H2-, H3-	: HOLE ELEMENT NEGATIVE
PC1	: CURRENT FEEDBACK SYSTEM PHASE COMPENSATION
PCH	: HOLE AMPLIFIER PHASE COMPENSATION
PCV	: VOLTAGE FEEDBACK SYSTEM PHASE COMPENSATION
TL	: TORQUE LIMIT
VM	: MOTOR VOLTAGE

OUTPUT

A1 - A3	: DRIVE
PFG	: HOLE ELEMENT INPUT WAVEFORM SHAPPING
VH+	: HOLE ELEMENT POWER
VS	: SWITCHING REGULATOR CONTROL

