

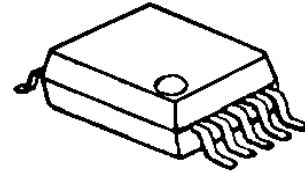
## 3V Operation Switching Driver for Class D Amplifier

### ■ GENERAL DESCRIPTION

The **NJU8711** is a Switching Driver for class D Amplifier including BEEP and BPZ (Bipolar Zero) output circuits. It converts 1bit digital signal input, such as PWM or PDM signal, to analog signal output with simple external LC low-pass filter.

The **NJU8711** realizes very high power-efficiency by class D operation. Therefore, It is suitable for portable audio set and others.

### ■ PACKAGE OUTLINE

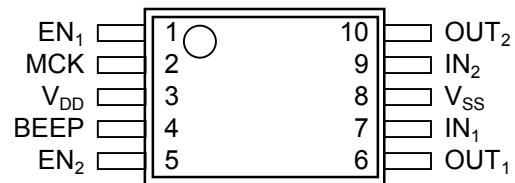


NJU8711V

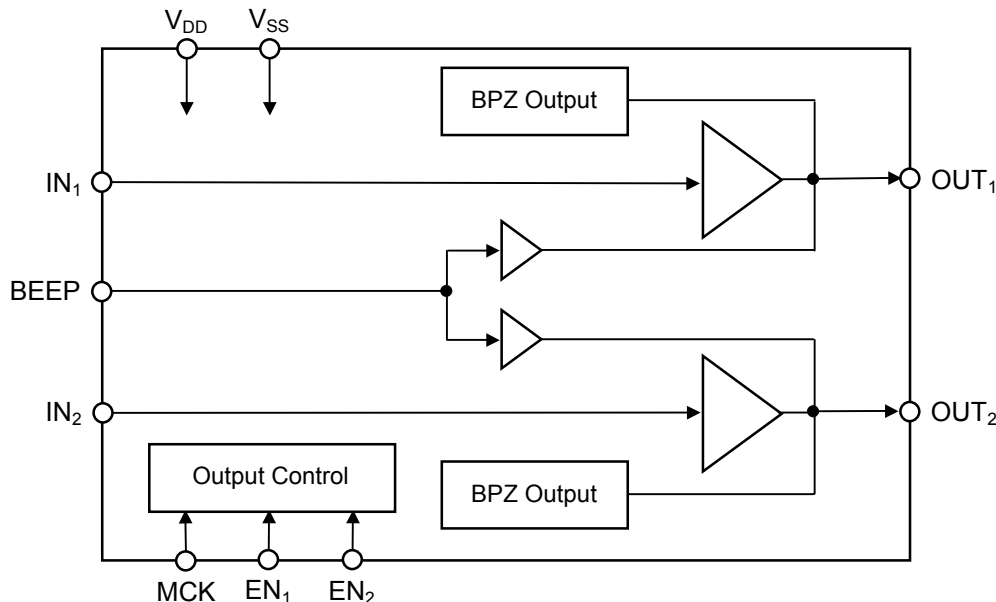
### ■ FEATURES

- 2-channel 1bit Audio Signal Input
- Standby(Hi-Z), BPZ Control
- Internal BPZ Charger
- Beep Function
- Operating Voltage : 2.0V to 3.6V
- CMOS Technology
- Package Outline : SSOP10

### ■ PIN CONFIGURATION



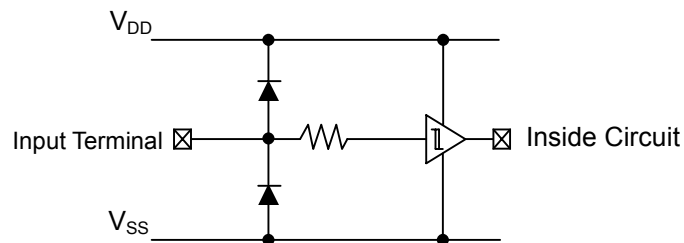
### ■ BLOCK DIAGRAM



## ■ TERMINAL DESCRIPTION

No.	SYMBOL	I/O	Function
3	$V_{DD}$	-	Power Supply, $V_{DD}=3V$
8	$V_{SS}$	-	Power GND, $V_{SS}=0V$
2	MCK	I	Master Clock Input Terminal The condition of the data input terminal is fetched with the rising edge of this signal.
1 5	$EN_1$ $EN_2$	I	Output Control Terminal Output circuit is selected by the condition of this terminal.
7 9	$IN_1$ $IN_2$	I	Audio Signal Input Terminal 1-bit Audio Signal inputs into this terminal.
4	BEEP	I	Beep Signal Input Terminal Beep signal inputs into this terminal.
6 10	$OUT_1$ $OUT_2$	O	Output Terminal <ul style="list-style-type: none"> <li>When Output Terminal selects Audio Signal, <math>IN_1</math> terminal input data outputs from <math>OUT_1</math> terminal and <math>IN_2</math> terminal input data outputs from <math>OUT_2</math> terminal.</li> <li>When Output Terminal selects Beep Signal, BEEP terminal input data outputs from <math>OUT_1</math> and <math>OUT_2</math> terminals.</li> </ul>

## ■ INPUT TERMINAL STRUCTURE



## ■ FUNCTIONAL DESCRIPTION

### (1) Signal Output

PWM signals of L channel and R output from OUT<sub>1</sub> and OUT<sub>2</sub> terminals respectively. These signals are converted to analog signal by external 2nd-order or over LC filter. The output driver power supplied from V<sub>DD</sub> and V<sub>SS</sub> are required high response power supply against voltage fluctuation like as switching regulator because Output THD is effected by power supply stability.

### (2) Master Clock

Master clock (MCK) synchronizes the Audio signal inputs (IN<sub>1</sub> and IN<sub>2</sub>). The setup time and the hold time should be kept in the AC characteristics because IN<sub>1</sub> and IN<sub>2</sub> are fetched with the rising edge of MCK. MCK requires jitter-free or jitter as small as possible because the jitter downs S/N ratio.

OUT<sub>1</sub> and OUT<sub>2</sub> occur the pop noise when MCK is stopped in operation without standby mode. Therefore, the standby mode should be set before MCK stop.

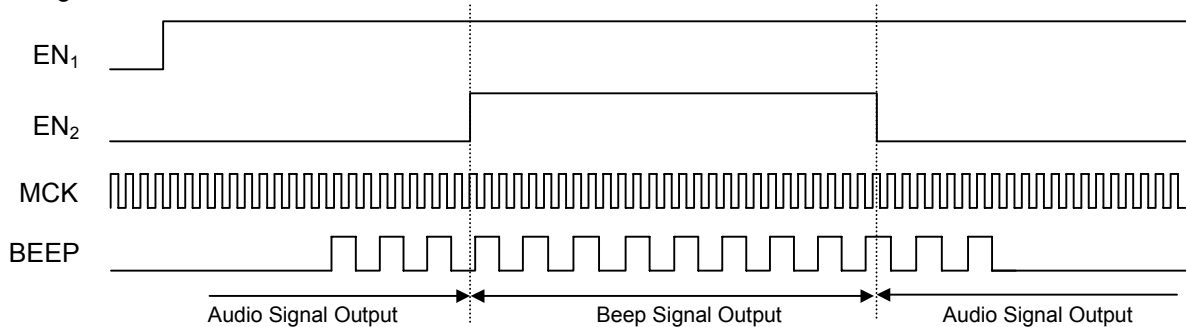
### (3) Output Control

Output circuit is selected by the conditions of EN<sub>1</sub> and EN<sub>2</sub> terminals.

EN <sub>2</sub>	EN <sub>1</sub>	Output State of OUT <sub>1</sub> & OUT <sub>2</sub>
0	0	Standby(High impedance)
0	1	Audio Signal Output
1	0	BPZ Output
1	1	Beep Signal Output

### (4) Beep Function

The beep signal must be input before the rising edge of EN<sub>2</sub> signal and must be stopped after the falling edge of EN<sub>2</sub> signal.



## ■ ABSOLUTE MAXIMUM RATINGS

(Ta=25°C)

PARAMETER		SYMBOL	RATING	UNIT
Supply Voltage		$V_{DD}$	-0.3 to +4.0	V
Input Voltage		$V_{in}$	-0.3 to $V_{DD}+0.3$	V
Operating Temperature		Ta	-40 to +85	°C
Storage Temperature		Tstg	-40 to +125	°C
Power Dissipation	SSOP10	$P_D$	280	mW

Note 1) All voltage values are specified as  $V_{SS}=0V$ .

Note 2) If the LSI is used on condition beyond the absolute maximum rating, the LSI may be destroyed. Using LSI within electrical characteristics is strongly recommended for normal operation. Use beyond the electrical characteristics conditions will cause malfunction and poor reliability.

Note 3) Decoupling capacitors should be connected between  $V_{DD}$ - $V_{SS}$  due to the stabilized operation.

## ■ ELECTRICAL CHARACTERISTICS

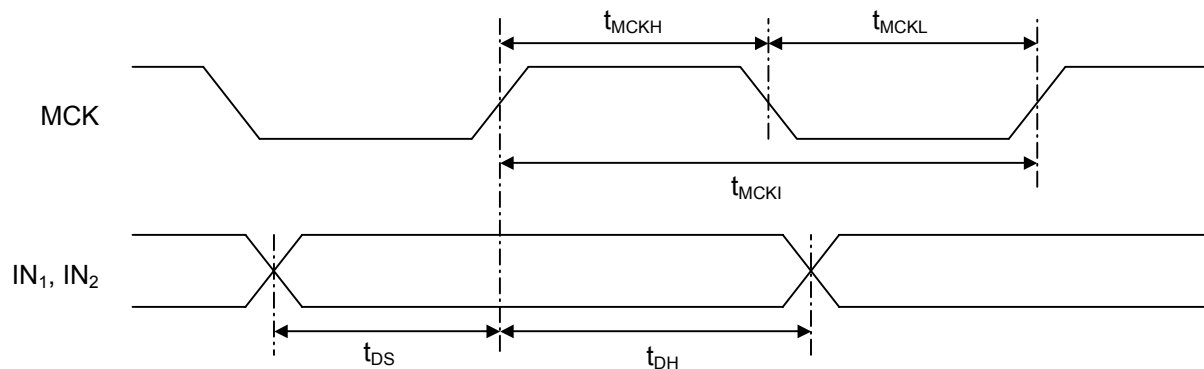
(Ta=25°C,  $V_{DD}=3.0V$ ,  $V_{SS}=0.0V$ , Load Impedance=16Ω,  $f_s=44.1kHz$ , unless otherwise noted)

PARAMETER	SYMBOL	CONDITIONS	MIN.	TYP.	MAX.	UNIT
$V_{DD}$ Supply Voltage	$V_{DD}$		2.0	3.0	3.6	V
BPZ Driving Voltage	$V_{BPZ}$		$V_{DD}/2-0.2$	$V_{DD}/2$	$V_{DD}/2+0.2$	V
Output Driver High side Resistance	$R_H$	$V_{OUT}=V_{DD}-0.1V$	-	1.5	2	Ω
Output Driver Low side Resistance	$R_L$	$V_{OUT}=0.1V$	-	1.5	2	Ω
Beep High side Current	$I_{BH}$	$V_{OUT}=V_{DD}-1V$	100	250	600	uA
Beep Low side Current	$I_{BL}$	$V_{OUT}=1V$	100	250	600	uA
Power Supply Current At Standby	$I_{ST}$	Stopping MCK, IN <sub>1</sub> , IN <sub>2</sub> , BEEP	-	-	1	uA
Power Supply Current At Operating	$I_{DD}$	No-load operating IN <sub>1</sub> , IN <sub>2</sub> =32f <sub>s</sub> MCK=256f <sub>s</sub>	-	1	2	mA
Input Voltage	$V_{IH}$		0.7V <sub>DD</sub>	-	V <sub>DD</sub>	V
	$V_{IL}$		0	-	0.3V <sub>DD</sub>	V
Input Leakage Current	$I_{LK}$		-	-	±1	uA

Note 4) When  $V_{DD}$  Supply Voltage is lower than typical voltage, a pop noise may occur in output change between BPZ and Audio Signal. Therefore, please consider and check the circuit carefully against pop noise.

## ■ TIMING CHARACTERISTICS

- Audio Signal Input



(Ta=25°C, V<sub>DD</sub>=3.0V, V<sub>SS</sub>=0.0V, unless otherwise noted)

PARAMETER	SYMBOL	CONDITIONS	MIN.	TYP.	MAX.	UNIT
MCK Frequency	f <sub>MCKI</sub>		8	-	25	MHz
MCK Pulse Width (H)	t <sub>MCKH</sub>		12	-	-	ns
MCK Pulse Width (L)	t <sub>MCKL</sub>		12	-	-	ns
IN <sub>1</sub> , IN <sub>2</sub> Setup Time	t <sub>DS</sub>		20	-	-	ns
IN <sub>1</sub> , IN <sub>2</sub> Hold Time	t <sub>DH</sub>		20	-	-	ns

Note 5) t<sub>MCKI</sub> shows the cycle of the MCK signal.

- Output Control Signal Input



(Ta=25°C, V<sub>DD</sub>=3.0V, V<sub>SS</sub>=0.0V, unless otherwise noted)

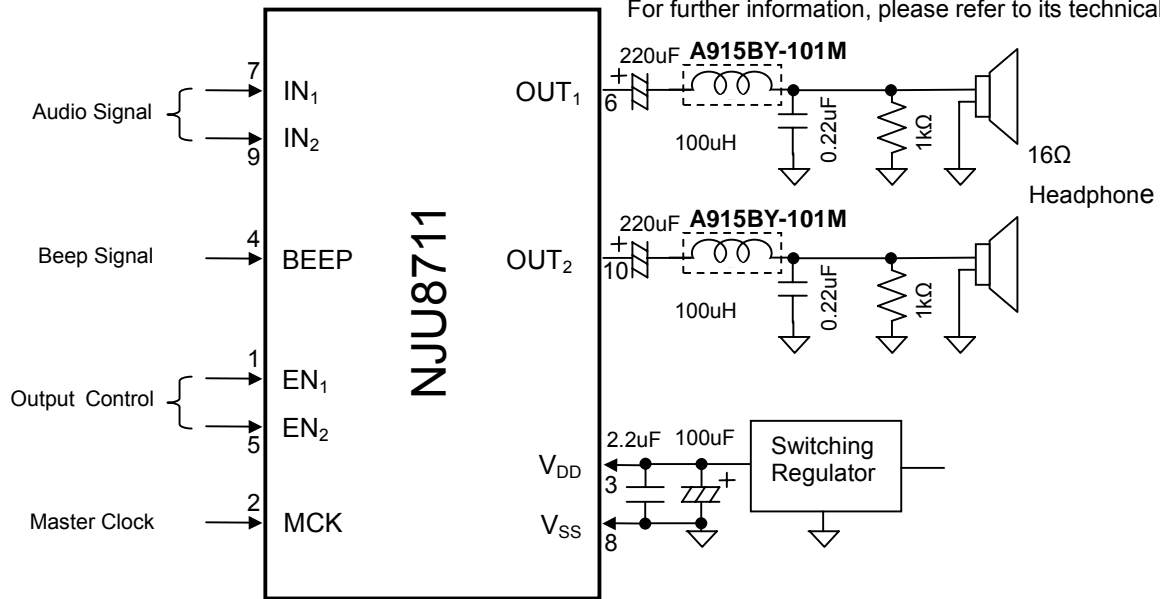
PARAMETER	SYMBOL	CONDITIONS	MIN.	TYP.	MAX.	UNIT
Rise Time	t <sub>UP</sub>		-	-	100	ns
Fall Time	t <sub>DN</sub>		-	-	100	ns

Note 6) All timings are based on 30% and 70% voltage level of V<sub>DD</sub>.

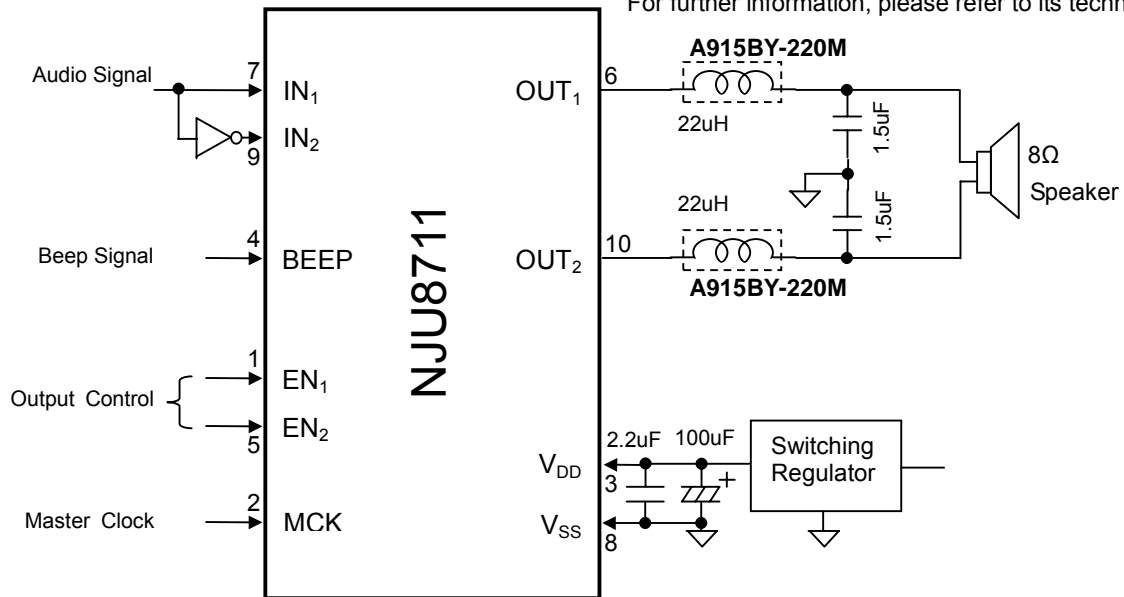
# NJU8711

## APPLICATION CIRCUIT

- Stereo OTL configuration



- 1 channel BTL configuration



Note 7) De-coupling capacitors must be connected between each power supply pin and GND pin.

Note 8) The power supply for  $V_{DD}$  require fast driving response performance such as a switching regulator for THD.

Note 9) The bigger capacitor value of AC-coupling capacitors for headphone outputs realize better frequency response characteristics, especially low frequency area.

Note 10) The above circuit shows only application example and does not guarantee the any electrical characteristics. Therefore, please consider and check the circuit carefully to fit your application.

**[CAUTION]**

The specifications on this databook are only given for information, without any guarantee as regards either mistakes or omissions. The application circuits in this databook are described only to show representative usages of the product and not intended for the guarantee or permission of any right including the industrial rights.