

# DATA SHEET



## **TDA933xH series** I<sup>2</sup>C-bus controlled TV display processors

Preliminary specification  
Supersedes data of 2000 May 08

2002 Jun 04

**I<sup>2</sup>C-bus controlled TV display processors****TDA933xH series****FEATURES**

Available in all ICs:

- Can be used in both single scan (50 or 60 Hz) and double scan (100 or 120 Hz) applications
- YUV input and linear RGB input with fast blanking
- Separate OSD/text input with fast blanking or blending
- Black stretching of non-standard luminance signals
- Switchable matrix for the colour difference signals
- RGB control circuit with Continuous Cathode Calibration (CCC), plus white point and black level offset adjustment
- Blue stretch circuit which offsets colours near white towards blue
- Internal clock generation for the deflection processing, which is synchronized by a 12 MHz ceramic resonator oscillator
- Horizontal synchronization with two control loops and alignment-free horizontal oscillator
- Slow start and slow stop of the horizontal drive pulses
- Low-power start-up option for the horizontal drive circuit
- Vertical count-down circuit
- Vertical driver optimized for DC-coupled vertical output stages
- Vertical and horizontal geometry processing
- Horizontal and vertical zoom possibility and vertical scroll function for application with 16 : 9 picture tubes
- Horizontal parallelogram and bow correction
- I<sup>2</sup>C-bus control of various functions
- Low dissipation.

**GENERAL DESCRIPTION**

The TDA933xH series are display processors for 'High-end' television receivers which contain the following functions:

- RGB control processor with Y, U and V inputs, a linear RGB input for SCART or VGA signals with fast blanking, a linear RGB input for OSD and text signals with a fast blanking or blending option and an RGB output stage with black current stabilization, which is realized with the CCC (2-point black current measurement) system.
- Programmable deflection processor with internal clock generation, which generates the drive signals for the horizontal, East-West (E-W) and vertical deflection. The circuit has various features that are attractive for the application of 16 : 9 picture tubes.
- The circuit can be used in both single scan (50 or 60 Hz) and double scan (100 or 120 Hz) applications.

In addition to these functions, the TDA9331H and TDA9332H have a multi-sync function for the horizontal PLL, with a frequency range from 30 to 50 kHz (2f<sub>H</sub> mode) or 15 to 25 kHz (1f<sub>H</sub> mode), so that the ICs can also be used to display SVGA signals.

The supply voltage of the ICs is 8 V. They are each contained in a 44-pin QFP package.

**ORDERING INFORMATION**

| TYPE NUMBER | PACKAGE |   |          |
|-------------|---------|---|----------|
|             | NAME    | DESCRIPTION   | VERSION  |
| TDA9330H    | QFP44   | plastic quad flat package; 44 leads (lead length 1.3 mm);<br>body 10 × 10 × 1.75 mm | SOT307-2 |
| TDA9331H    |         |   |          |
| TDA9332H    |         |   |          |

I<sup>2</sup>C-bus controlled TV display processors

## TDA933xH series

## SURVEY OF IC TYPES

| IC VERSION | VGA MODE | DAC OUTPUT                      |
|------------|----------|---------------------------------|
| TDA9330H   | no       | I <sup>2</sup> C-bus controlled |
| TDA9331H   | yes      | proportional to VGA frequency   |
| TDA9332H   | yes      | I <sup>2</sup> C-bus controlled |

## QUICK REFERENCE DATA

| SYMBOL                   | PARAMETER  | MIN. | TYP.      | MAX. | UNIT |
|--------------------------|--|------|-----------|------|------|
| <b>Supply</b>            |  |      |           |      |      |
| V <sub>P</sub>           | supply voltage   | –    | 8.0       | –    | V    |
| I <sub>P</sub>           | supply current (V <sub>P1</sub> plus V <sub>P2</sub> ) | –    | 50        | –    | mA   |
| <b>Input voltages</b>    |  |      |           |      |      |
| V <sub>i(Y)(b-w)</sub>   | luminance input signal (black-to-white value)          | –    | 1.0/0.315 | –    | V    |
| V <sub>i(U)(p-p)</sub>   | U input signal (peak-to-peak value)                    | –    | 1.33      | –    | V    |
| V <sub>i(V)(p-p)</sub>   | V input signal (peak-to-peak value)                    | –    | 1.05      | –    | V    |
| V <sub>i(RGB)(b-w)</sub> | RGB input signal (black-to-white value)                | –    | 0.7       | –    | V    |
| V <sub>i(Hsync)</sub>    | horizontal sync input (H <sub>D</sub> )                | –    | TTL       | –    | V    |
| V <sub>i(Vsync)</sub>    | vertical sync input (V <sub>D</sub> )                  | –    | TTL       | –    | V    |
| V <sub>i(IIC)</sub>      | I <sup>2</sup> C-bus inputs (SDA and SCL)              | –    | CMOS 5 V  | –    | V    |
| <b>Output signals</b>    |  |      |           |      |      |
| V <sub>o(RGB)(b-w)</sub> | RGB output signal amplitude (black-to-white value)     | –    | 2.0       | –    | V    |
| I <sub>o(hor)</sub>      | horizontal output current                              | –    | –         | 10   | mA   |
| I <sub>o(ver)(p-p)</sub> | vertical output current (peak-to-peak value)           | –    | 0.95      | –    | mA   |
| I <sub>o(EW)</sub>       | E-W drive output current                               | –    | –         | 1.2  | mA   |

# I<sup>2</sup>C-bus controlled TV display processors

## TDA933xH series

### BLOCK DIAGRAM

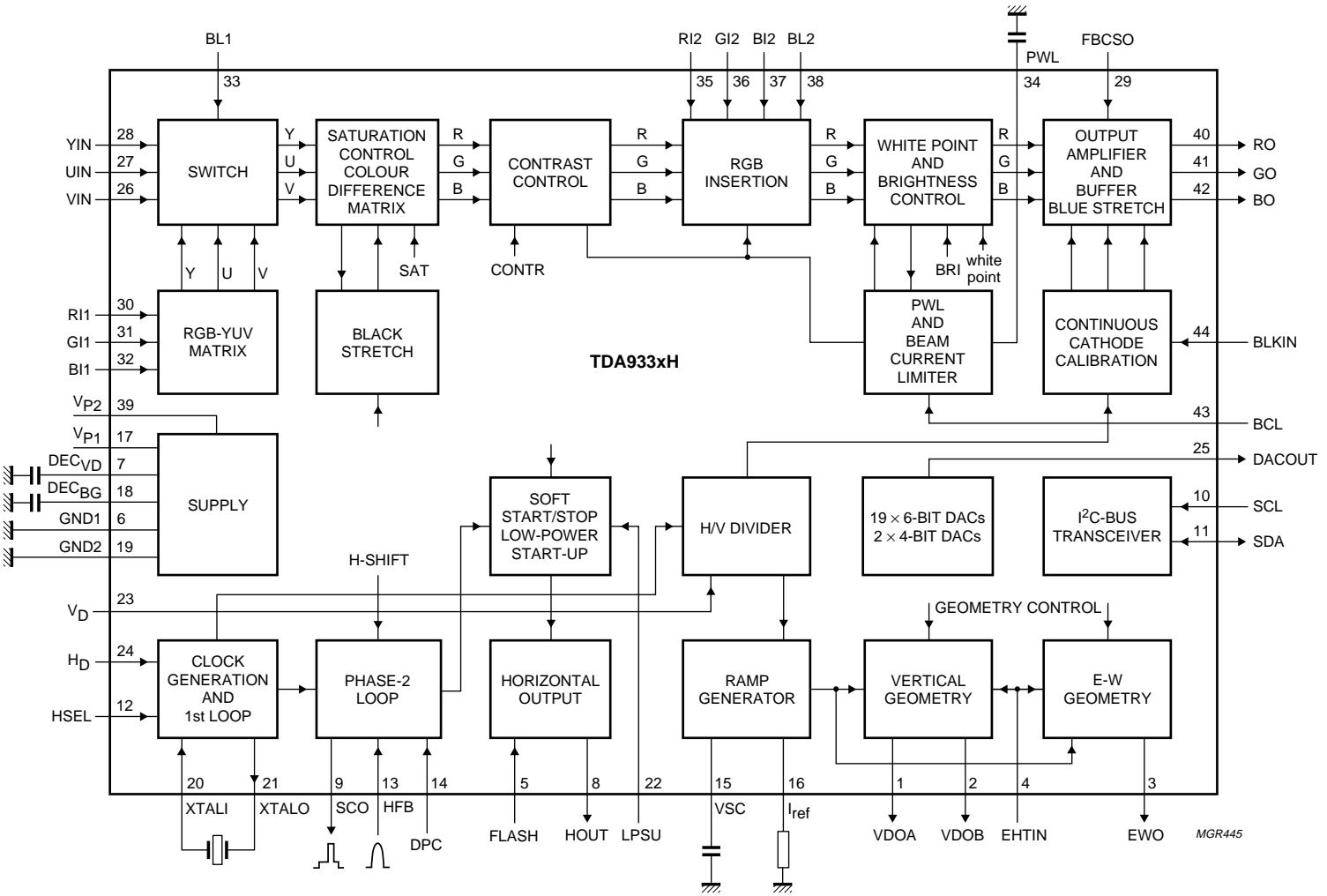


Fig.1 Block diagram.

I<sup>2</sup>C-bus controlled TV display processors

## TDA933xH series

## PINNING

| SYMBOL            | PIN | DESCRIPTION                            |
|-------------------|-----|--|
| VDOA              | 1   | vertical drive output A                |
| VDOB              | 2   | vertical drive output B                |
| EWO               | 3   | E-W output                             |
| EHTIN             | 4   | EHT compensation input                 |
| FLASH             | 5   | flash detection input                  |
| GND1              | 6   | ground 1                               |
| DEC <sub>VD</sub> | 7   | digital supply decoupling              |
| HOUT              | 8   | horizontal output                      |
| SCO               | 9   | sandcastle pulse output                |
| SCL               | 10  | serial clock input                     |
| SDA               | 11  | serial data input/output               |
| HSEL              | 12  | selection of horizontal frequency      |
| HFB               | 13  | horizontal flyback pulse input         |
| DPC               | 14  | dynamic phase compensation             |
| VSC               | 15  | vertical sawtooth capacitor            |
| I <sub>ref</sub>  | 16  | reference current input                |
| V <sub>P1</sub>   | 17  | positive supply 1 (+8 V)               |
| DEC <sub>BG</sub> | 18  | band gap decoupling                    |
| GND2              | 19  | ground 2                               |
| XTALI             | 20  | crystal input                          |
| XTALO             | 21  | crystal output                         |
| LPSU              | 22  | low-power start-up supply              |
| V <sub>D</sub>    | 23  | vertical sync input                    |
| H <sub>D</sub>    | 24  | horizontal sync input                  |
| DACOUT            | 25  | DAC output                             |
| VIN               | 26  | V-signal input                         |
| UIN               | 27  | U-signal input                         |
| YIN               | 28  | luminance input                        |
| FBCSO             | 29  | fixed beam current switch-off input    |
| RI1               | 30  | red 1 input for insertion              |
| GI1               | 31  | green 1 input for insertion            |
| BI1               | 32  | blue 1 input for insertion             |
| BL1               | 33  | fast blanking input for RGB-1          |
| PWL               | 34  | peak white limiting decoupling         |
| RI2               | 35  | red 2 input for insertion              |
| GI2               | 36  | green 2 input for insertion            |
| BI2               | 37  | blue 2 input for insertion             |
| BL2               | 38  | fast blanking/blending input for RGB-2 |
| V <sub>P2</sub>   | 39  | positive supply 2 (+8 V)               |
| RO                | 40  | red output                             |

I<sup>2</sup>C-bus controlled TV display processors

TDA933xH series

| SYMBOL | PIN | DESCRIPTION                 |
|--------|-----|-----------------------------|
| GO     | 41  | green output                |
| BO     | 42  | blue output                 |
| BCL    | 43  | beam current limiting input |
| BLKIN  | 44  | black current input         |

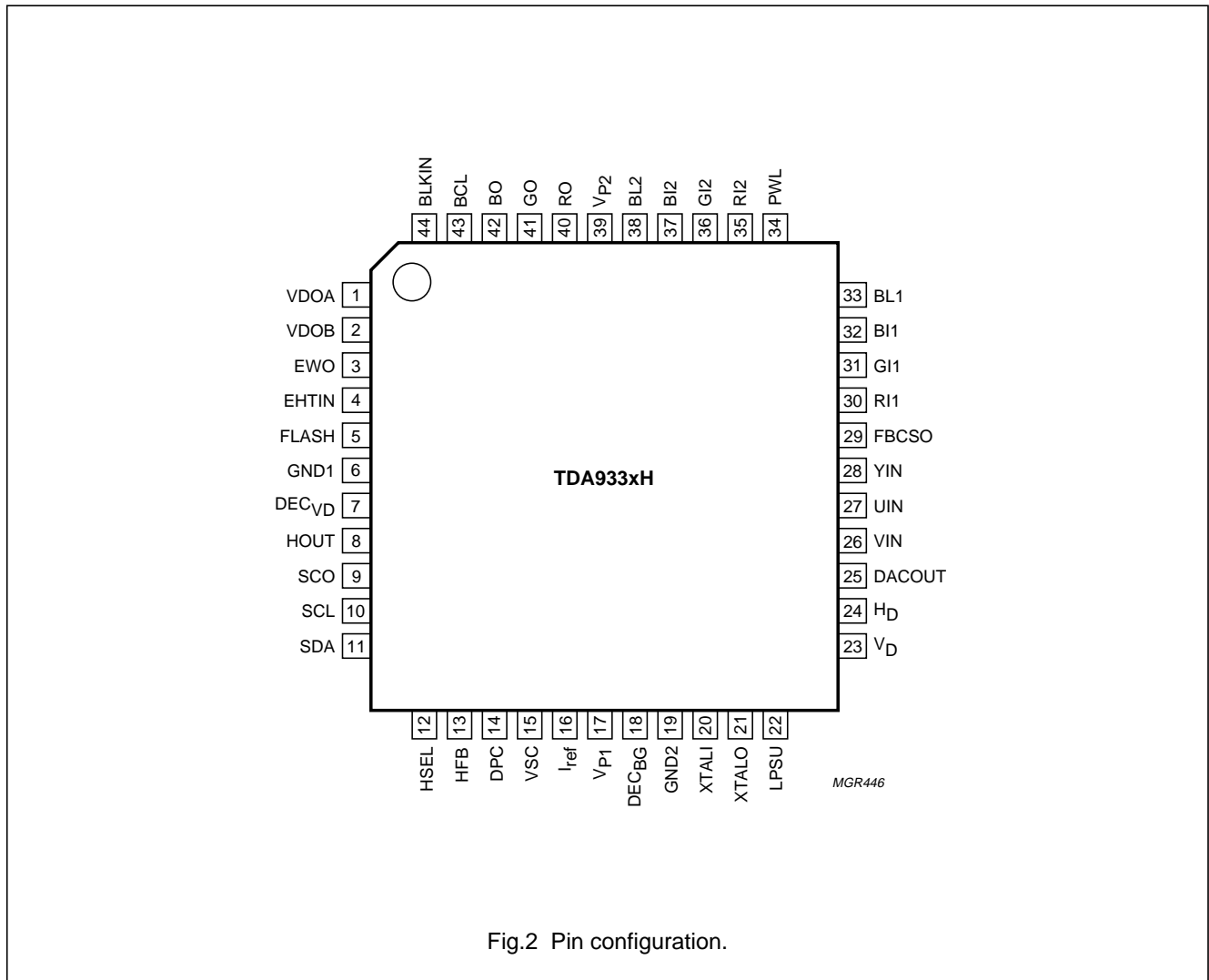


Fig.2 Pin configuration.

I<sup>2</sup>C-bus controlled TV display processors

## TDA933xH series

**FUNCTIONAL DESCRIPTION****RGB control circuit**

## INPUT SIGNALS

The RGB control circuit of the TDA933xH contains three sets of input signals:

- YUV input signals, which are supplied by the input processor or the feature box. Bit GAI can be used to switch the luminance input signal sensitivity between 0.45 V (p-p) and 1.0 V (b-w). The nominal input signals for U and V are 1.33 V (p-p) and 1.05 V (p-p), respectively. These input signals are controlled on contrast, saturation and brightness.
- The first RGB input is intended for external signals (SCART in 1f<sub>H</sub> and VGA in 2f<sub>H</sub> applications), which have an amplitude of 0.7 V (p-p) typical. This input is also controlled on contrast, saturation and brightness.
- The second RGB input is intended for OSD and teletext signals. The required input signals have an amplitude of 0.7 V (p-p). The switching between the internal signal and the OSD signal can be realized via a blending function or via fast blanking. This input is only controlled on brightness.

Switching between the various sources can be realized via the I<sup>2</sup>C-bus and by fast insertion switches. The fast insertion switches can be enabled via the I<sup>2</sup>C-bus.

The circuit contains switchable matrix circuits for the colour difference signals so that the colour reproduction can be adapted for PAL/SECAM and NTSC. For NTSC, two different matrices can be chosen. In addition, a matrix for high-definition ATSC signals is available.

## OUTPUT AMPLIFIER

The output signal has an amplitude of approximately 2 V (b-w) at nominal input signals and nominal settings of the controls. The required 'white point setting' of the picture tube can be realized by means of three separate gain settings for the RGB channels.

To obtain an accurate biasing of the picture tube, a CCC circuit has been developed. This function is realized by a 2-point black level stabilization circuit.

By inserting two test levels for each gun and comparing the resulting cathode currents with two different reference currents, the influence of the picture tube parameters such as the spread in cut-off voltage can be eliminated.

This 2-point stabilization is based on the principle that the ratio between the cathode currents is coupled to the ratio

between the drive voltages according to: 
$$\frac{I_{k1}}{I_{k2}} = \left( \frac{V_{dr1}}{V_{dr2}} \right)^\gamma$$

The feedback loop makes the ratio between cathode currents  $I_{k1}$  and  $I_{k2}$  equal to the ratio between the reference currents (which are internally fixed) by changing the (black) level and the amplitude of the RGB output signals via two converging loops. The system operates in such a way that the black level of the drive signal is controlled to the cut-off point of the gun. In this way, a very good grey scale tracking is obtained. The accuracy of the adjustment of the black level is only dependent on the ratio of internal currents and these can be made very accurately in integrated circuits. An additional advantage of the 2-point measurement is that the control system makes the absolute value of  $I_{k1}$  and  $I_{k2}$  identical to the internal reference currents. Because this adjustment is obtained by adapting the gain of the RGB control stage, this control stabilizes the gain of the complete channel (RGB output stage and cathode characteristic). As a result, this 2-point loop compensates for variations in the gain figures during life.

An important property of the 2-point stabilization is that the offset and the gain of the RGB path are adjusted by the feedback loop. Hence, the maximum drive voltage for the cathode is fixed by the relationship between the test pulses, the reference current and the relative gain setting of the three channels. Consequently, the drive level of the CRT cannot be adjusted by adapting the gain of the RGB output stage. Because different picture tubes may require different drive levels, the typical 'cathode drive level' amplitude can be adjusted by means of an I<sup>2</sup>C-bus setting. Depending on the selected cathode drive level, the typical gain of the RGB output stages can be fixed, taking into account the drive capability of the RGB outputs (pins 40 to 42). More details about the design are given in the application report (see also Chapter "Characteristics"; note 11).

The measurement of the high and the low currents of the 2-point stabilization circuit is performed in two consecutive fields. The leakage current is measured in each field. The maximum allowable leakage current is 100 µA.

For extra flexibility, it is also possible to switch the CCC circuit to 1-point stabilization with the OPC bit. In this mode, only the black level at the RGB outputs is controlled by the loop. The cathode drive level setting has no influence on the gain in this mode. This level should be set to the nominal value to get the correct amplitude of the measuring pulses.

## I<sup>2</sup>C-bus controlled TV display processors

## TDA933xH series

Via the I<sup>2</sup>C-bus, an adjustable offset can be made on the black level of red and green channels with respect to the level that is generated by the black current control loop. These controls can be used to adjust the colour temperature of the dark part of the picture, independent of the white point adjustment.

When the TV receiver is switched on, the black current stabilization circuit is directly activated and the RGB outputs are blanked. The blanking is switched off as soon as the loop has stabilized (e.g. the first time that bit BCF changes from 1 to 0, see also Chapter "Characteristics"; note 15). This ensures that the switch-on time is reduced to a minimum and is only dependent on the warm-up time of the picture tube.

The black current stabilization system checks the output level of the three channels and indicates whether the black level of the lowest RGB output of the IC is in a certain window (WBC bit), below or above this window (HBC bit). This indication can be read from the I<sup>2</sup>C-bus and can be used for automatic adjustment of voltage  $V_{g2}$  during the production of the TV receiver.

When a failure occurs in the black current loop (e.g. due to an open circuit), status bit BCF is set. This information can be used to blank the picture tube to avoid damage to the screen.

The control circuit contains an average beam current limiting circuit and a peak white level (PWL) circuit. The PWL detects small white areas in the picture that are not detected by the average beam current limiter. The PWL can be adjusted via the I<sup>2</sup>C-bus. A low-pass filter is placed in front of the peak detector to prevent it from reacting to short transients in the video signal. The capacitor of the low-pass filter is connected externally so that the set maker can adapt the time constant as required. The IC also contains a soft clipper that limits the amplitude of the short transients in the RGB output signals. In this way, spot blooming on, for instance, subtitles is prevented. The difference between the PWL and the soft clipping level can be adjusted via the I<sup>2</sup>C-bus in a few steps.

The vertical blanking is adapted to the vertical frequency of the incoming signal (50 or 100 Hz or, 60 or 120 Hz). When the flyback time of the vertical output stage is greater than the 60 Hz blanking time, the blanking can be increased to the same value as that of the 50 Hz blanking. This can be set by means of bit LBM.

When no video is available, it is possible to insert a blue background. This feature can be activated via bit EBB.

### Synchronization and deflection processing

#### HORIZONTAL SYNCHRONIZATION AND DRIVE CIRCUIT

The horizontal drive signal is obtained from an internal VCO which runs at a frequency of 440 times ( $2f_H$  mode) or 880 times ( $1f_H$  mode) the frequency of the incoming  $H_D$  signal. The free-running frequency of this VCO is calibrated by a crystal oscillator which needs an external 12 MHz crystal or ceramic resonator as a reference. It is also possible to supply an external reference signal to the IC (in this case, the external resonator should be removed).

The VCO is synchronized to the incoming horizontal  $H_D$  pulse (applied from the feature box or the input processor) by a PLL with an internal time constant. The frequency of the horizontal drive signal ( $1f_H$  or  $2f_H$ ) is selected by means of a switching pin, which must be connected to ground or left open-circuit.

For HDTV applications, it is possible to change the free-running frequency of the horizontal drive output. For the 1080i-60 Hz scanning system the free-running frequency can be increased to 33.8 kHz with the HDTV bit, while for the 1080i-50 Hz system (China and Australia) the free-running frequency can be decreased to 28.5 kHz with the CDTV bit.

**For safety reasons, switching between  $1f_H$  and  $2f_H$  modes is only possible when the IC is in the standby mode.**

For the TDA9331H and TDA9332H, it is also possible to set the horizontal PLL to a 'multi-sync' mode by means of bit VGA. In this mode, the circuit detects the frequency of the incoming sync pulses and adjusts the centre frequency of the VCO accordingly by means of an internal Digital-to-Analog-Converter (DAC). The frequency range in this mode is 30 to 50 kHz at the output.

The polarities of the incoming  $H_D$  and  $V_D$  pulses are detected internally. The detected polarity can be read out via status bits HPOL and VPOL.

The horizontal drive signal is generated by a second control loop which compares the phase of the reference signal (applied from the internal VCO) with the flyback pulse. The time constant of this loop is set internally. The IC has a dynamic horizontal phase correction input, which can be used to compensate phase shifts that are caused by beam current variations. Additional settings of the horizontal deflection (which are realized via the second loop) are the horizontal shift and horizontal parallelogram and bow corrections (see Chapter "Characteristics"; Fig.16). The adjustments are realized via the I<sup>2</sup>C-bus.



## I<sup>2</sup>C-bus controlled TV display processors

## TDA933xH series

When no horizontal flyback pulse is detected during three consecutive line periods, status bit NHF is set (output status byte 01-D3; see Table 3).

The horizontal drive signal is switched on and off via the so-called slow-start/slow-stop procedure. This function is realized by varying the  $t_{on}$  of the horizontal drive pulse. For EHT generators without a bleeder, the IC can be set to a 'fixed beam current mode' via bit FBC. In this case, the picture tube capacitance is discharged with a current of approximately 1 mA. The magnitude of the discharge current is controlled via the black current feedback loop. If necessary, the discharge current can be enlarged with the aid of an external current division circuit. With the fixed beam current option activated, it is still possible to have a black screen during switch-off. This can be realized by placing the vertical deflection in an overscan position. This mode is activated via bit OSO.

An additional mode of the IC is the 'low-power start-up' mode. This mode is activated when a supply voltage of 5 V is supplied to the start-up pin.

The required current for this mode is 3 mA (typ.). In this condition, the horizontal drive signal has the nominal  $t_{off}$  and the  $t_{on}$  grows gradually from zero to approximately 30% of the nominal value. This results in a line frequency of approximately 50 kHz ( $2f_H$ ) or 25 kHz ( $1f_H$ ). The output signal remains unchanged until the main supply voltage is switched on and the I<sup>2</sup>C-bus data has been received. The horizontal drive then gradually changes to the nominal frequency and duty cycle via the slow-start procedure.

The IC can only be switched on and to standby mode when both standby bits (STB0 and STB1) are changed. The circuit will not react when only one bit changes polarity.

The IC has a general purpose bus controlled DAC output with a 6-bit resolution and with an output voltage range between 0.2 to 4 V. In the TDA9331H, the DC voltage on this output is proportional to the horizontal line frequency (only in VGA mode). This voltage can be used to control the supply voltage of the horizontal deflection stage, to maintain constant picture width for higher line frequencies.

### VERTICAL DEFLECTION AND GEOMETRY CONTROL

The drive signals for the vertical and E-W deflection circuits are generated by a vertical divider, which derives its clock signal from the line oscillator. The divider is synchronized by the incoming  $V_D$  pulse, generated by the input processor or the feature box. The vertical ramp generator requires an external resistor and capacitor; the tolerances for these components must be small.

In the normal mode, the vertical deflection operates in constant slope and adapts its amplitude, depending on the frequency of the incoming signal (50 or 60 Hz, or 100 or 120 Hz). When the TDA933xH is switched to the VGA mode, the amplitude of the vertical scan is stabilized and independent of the incoming vertical frequency. In this mode, the E-W drive amplitude is proportional to the horizontal frequency so that the correction on the screen is not affected.

The vertical drive is realized by a differential output current. The outputs must be DC-coupled to the vertical output stage (e.g. TDA8354).

The vertical geometry can be adjusted via the I<sup>2</sup>C-bus. Controls are possible for the following parameters:

- Vertical amplitude
- S-correction
- Vertical slope
- Vertical shift (only for compensation of offsets in output stage or picture tube)
- Vertical zoom
- Vertical scroll (shifting the picture in the vertical direction when the vertical scan is expanded)
- Vertical wait, an adjustable delay for the start of the vertical scan.

With regard to the vertical wait, the following conditions are valid:

- In the  $1f_H$  TV mode, the start of the vertical scan is fixed and cannot be adjusted with the vertical wait
- In the  $2f_H$  TV mode, the start of the vertical scan depends on the value of the Vertical Scan Reference (VSR) bus bit. If  $VSR = 0$ , the start of the vertical scan is related to the end of the incoming  $V_D$  pulse. If  $VSR = 1$ , it is related to the start. In both cases, the start of the scan can be adjusted with the vertical wait setting
- In the multi-sync mode (TDA9331H and TDA9332H both in  $1f_H$  mode and  $2f_H$  mode), the start of the vertical scan is related to the start of the incoming  $V_D$  pulse and can be adjusted with the vertical wait setting.

I<sup>2</sup>C-bus controlled TV display processors

## TDA933xH series

The minimum value for the vertical wait setting is 8 line periods. If the setting is lower than 8, the wait period will remain at 8 line periods.

The E-W drive circuit has a single-ended output. The E-W geometry can be adjusted on the following parameters:

- Horizontal width with increased range because of the 'zoom' feature
- E-W parabola/width ratio
- E-W upper corner/parabola ratio
- E-W lower corner/parabola ratio
- E-W trapezium.

The IC has an EHT compensation input which controls both the vertical and the E-W output signals. The relative control effect on both outputs can be adjusted via the I<sup>2</sup>C-bus (sensitivity of vertical correction is fixed; E-W correction variable).

To avoid damage to the picture tube in the event of missing or malfunctioning vertical deflection, a vertical guard function is available at the sandcastle pin (pin SCO). The vertical guard pulse from the vertical output stage (TDA835x) should be connected to the sandcastle pin, which acts as a current sense input. If the guard pulse is missing or lasts too long, bit NDF is set in the status register and the RGB outputs are blanked.

If the guard function is disabled via bit EVG, only status bit NDF is set.

The IC also has inputs for flash and overvoltage protection. More details about these functions are given in Chapter "Characteristics"; note 43.

**I<sup>2</sup>C-BUS SPECIFICATION**

The slave address of the IC is given in Table 1. The circuit operates up to clock frequencies of 400 kHz. Valid subaddresses: 00 to 1F, subaddress FE is reserved for test purposes. The auto-increment mode is available for subaddresses. It should be noted that the status bytes cannot be addressed separately, they can only be read via the auto-increment mode.

**Table 1** Slave address (8C)

| A6 | A5 | A4 | A3 | A2 | A1 | A0 | R/W |
|----|----|----|----|----|----|----|-----|
| 1  | 0  | 0  | 0  | 1  | 1  | 0  | 1/0 |

I<sup>2</sup>C-bus controlled TV display processors

## TDA933xH series

**Table 2** Input control bits

| FUNCTION                                | SUBADDRESS<br>(HEX) | DATA BYTE |      |      |      |      |      |                    |      |
|---|---------------------|-----------|------|------|------|------|------|--------------------|------|
|   |                     | D7        | D6   | D5   | D4   | D3   | D2   | D1                 | D0   |
| RGB processing-1                        | 00                  | MAT       | EBB  | SBL  | RBL  | BLS  | BKS  | IE1                | IE2  |
| RGB processing-2                        | 01                  | MUS       | FBC  | OBL  | AKB  | CL3  | CL2  | CL1                | CL0  |
| Wide horizontal blanking                | 02                  | HBL       | TFBC | GAI  | STB0 | HB3  | HB2  | HB1                | HB0  |
| Horizontal deflection                   | 03                  | HDTV      | VSR  | FAST | STB1 | POC  | PRD  | VGA <sup>(3)</sup> | ESS  |
| Vertical deflection                     | 04                  | OPC       | VFF  | LBM  | DIP  | OSO  | SVF  | EVG                | DL   |
| Brightness                              | 05                  | 0         | 0    | A5   | A4   | A3   | A2   | A1                 | A0   |
| Saturation                              | 06                  | 0         | 0    | A5   | A4   | A3   | A2   | A1                 | A0   |
| Contrast                                | 07                  | 0         | 0    | A5   | A4   | A3   | A2   | A1                 | A0   |
| White point R                           | 08                  | 0         | 0    | A5   | A4   | A3   | A2   | A1                 | A0   |
| White point G                           | 09                  | 0         | 0    | A5   | A4   | A3   | A2   | A1                 | A0   |
| White point B                           | 0A                  | 0         | 0    | A5   | A4   | A3   | A2   | A1                 | A0   |
| Peak white limiting                     | 0B                  | 0         | 0    | SC1  | SC0  | A3   | A2   | A1                 | A0   |
| Horizontal shift                        | 0C                  | 0         | 0    | A5   | A4   | A3   | A2   | A1                 | A0   |
| Horizontal parallelogram <sup>(1)</sup> | 0D                  | 0         | 0    | 0    | 0    | A3   | A2   | A1                 | A0   |
| E-W width                               | 0E                  | 0         | 0    | A5   | A4   | A3   | A2   | A1                 | A0   |
| E-W parabola/width                      | 0F                  | 0         | 0    | A5   | A4   | A3   | A2   | A1                 | A0   |
| E-W upper corner/parabola               | 10                  | 0         | 0    | A5   | A4   | A3   | A2   | A1                 | A0   |
| E-W trapezium                           | 11                  | 0         | 0    | A5   | A4   | A3   | A2   | A1                 | A0   |
| E-W EHT compensation sensitivity        | 12                  | 0         | 0    | A5   | A4   | A3   | A2   | A1                 | A0   |
| Vertical slope                          | 13                  | 0         | 0    | A5   | A4   | A3   | A2   | A1                 | A0   |
| Vertical amplitude                      | 14                  | 0         | 0    | A5   | A4   | A3   | A2   | A1                 | A0   |
| S-correction                            | 15                  | 0         | 0    | A5   | A4   | A3   | A2   | A1                 | A0   |
| Vertical shift                          | 16                  | 0         | 0    | A5   | A4   | A3   | A2   | A1                 | A0   |
| Vertical zoom                           | 17                  | 0         | 0    | A5   | A4   | A3   | A2   | A1                 | A0   |
| Vertical scroll                         | 18                  | 0         | 0    | A5   | A4   | A3   | A2   | A1                 | A0   |
| Vertical wait                           | 19                  | 0         | 0    | 0    | A4   | A3   | A2   | A1                 | A0   |
| DAC output <sup>(2)</sup>               | 1A                  | 0         | 0    | A5   | A4   | A3   | A2   | A1                 | A0   |
| Black level offset R                    | 1B                  | 0         | 0    | 0    | 0    | A3   | A2   | A1                 | A0   |
| Black level offset G                    | 1C                  | 0         | 0    | 0    | 0    | A3   | A2   | A1                 | A0   |
| Horizontal timing                       | 1D                  | CDTV      | 0    | 0    | HDCL | LBL3 | LBL2 | LBL1               | LBL0 |
| E-W lower corner/parabola               | 1E                  | 0         | 0    | A5   | A4   | A3   | A2   | A1                 | A0   |
| Horizontal bow <sup>(1)</sup>           | 1F                  | 0         | 0    | 0    | 0    | A3   | A2   | A1                 | A0   |

**Notes**

1. For zero parallelogram and bow correction use register value 7 DEC.
2. See Chapter "Characteristics"; note 47.
3. Bit VGA is not available in the TDA9330H.

I<sup>2</sup>C-bus controlled TV display processors

## TDA933xH series

**Table 3** Output status bits

| FUNCTION            | SUBADDRESS<br>(HEX) | DATA BYTE |     |     |     |     |      |      |     |
|---------------------|---------------------|-----------|-----|-----|-----|-----|------|------|-----|
|                     |                     | D7        | D6  | D5  | D4  | D3  | D2   | D1   | D0  |
| Output status bytes | 00                  | POR       | FSI | SL  | XPR | NDF | IN1  | IN2  | WBC |
|                     | 01                  | N2        | N3  | ID1 | ID0 | NHF | BCF  | FLS  | NRF |
|                     | 02                  | X         | X   | X   | X   | X   | HPOL | VPOL | HBC |

**Input control bits****Table 4** Colour difference matrix

| MAT | MUS | MATRIX POSITION |
|-----|-----|-----------------|
| 0   | 0   | PAL             |
| 0   | 1   | ATSC            |
| 1   | 0   | NTSC Japan      |
| 1   | 1   | NTSC USA        |

**Table 5** Enable 'blue-back'

| EBB | MODE                    |
|-----|-------------------------|
| 0   | blue-black switched off |
| 1   | blue-black switched on  |

**Table 6** Service blanking

| SBL | SERVICE BLANKING MODE |
|-----|-----------------------|
| 0   | off                   |
| 1   | on                    |

**Table 7** RGB blanking

| RBL | RGB BLANKING |
|-----|--------------|
| 0   | not active   |
| 1   | active       |

**Table 8** Blue stretch

| BLS | BLUE STRETCH MODE |
|-----|-------------------|
| 0   | off               |
| 1   | on                |

**Table 9** Black stretch

| BKS | BLACK STRETCH MODE |
|-----|--------------------|
| 0   | off                |
| 1   | on                 |

**Table 10** Enable fast blanking RGB-1

| IE1 | FAST BLANKING |
|-----|---------------|
| 0   | not active    |
| 1   | active        |

**Table 11** Enable fast blanking RGB-2

| IE2 | FAST BLANKING |
|-----|---------------|
| 0   | not active    |
| 1   | active        |

**Table 12** Fixed beam current switch-off

| FBC | MODE                                |
|-----|-------------------------------------|
| 0   | switch-off with blanked RGB outputs |
| 1   | switch-off with fixed beam current  |

**Table 13** Blending function on OSD; note 1

| OBL | MODE                      |
|-----|---------------------------|
| 0   | OSD via fast blanking     |
| 1   | OSD via blending function |

**Note**

- When bit OBL is set to 1, the blending function is always activated, independent of the setting of bit IE2.

**Table 14** Black current stabilization

| AKB | OPC | MODE            |
|-----|-----|-----------------|
| 0   | 0   | 2-point control |
| 0   | 1   | 1-point control |
| 1   | –   | not active      |

I<sup>2</sup>C-bus controlled TV display processors

## TDA933xH series

**Table 15** Cathode drive level (15 steps; 3.6 V/step)

| CL3 | CL2 | CL1 | CL0 | SETTING OF CATHODE DRIVE AMPLITUDE <sup>(1)</sup> |
|-----|-----|-----|-----|---|
| 0   | 0   | 0   | 0   | 41 V (b-w)  |
| 1   | 0   | 0   | 0   | 70 V (b-w)  |
| 1   | 1   | 1   | 1   | 95 V (b-w)  |

**Note**

- The given values are valid for the following conditions:
  - Nominal CVBS input signal.
  - Settings for contrast and white point nominal.
  - Black and blue stretch switched off.
  - Gain of output stage such that no clipping occurs.
  - Beam current limiting not active.
  - Gamma of picture tube is 2.25.
  - The tolerance on these values is approximately  $\pm 3$  V.

**Table 16** RGB blanking mode

| HBL | MODE                                 |
|-----|--------------------------------------|
| 0   | normal blanking (horizontal flyback) |
| 1   | wide blanking                        |

**Table 17** Picture tube discharge time

| TFBC | MODE    |
|------|---------|
| 0    | 18.6 ms |
| 1    | 25 ms   |

**Note**

- See Chapter "Characteristics"; Fig.15

**Table 18** Gain of luminance channel

| GAI | MODE                                 |
|-----|--------------------------------------|
| 0   | normal gain [ $V_{28} = 1$ V (b-w)]  |
| 1   | high gain [ $V_{28} = 0.45$ V (p-p)] |

**Table 19** Standby

| STB0 | STB1 | CONDITION            |
|------|------|----------------------|
| 0    | 0    | horizontal drive off |
| 0    | 1    | no action            |
| 1    | 0    | no action            |
| 1    | 1    | horizontal drive on  |

**Table 20** Position of wide blanking (14 steps; 1f<sub>H</sub> mode 0.29  $\mu$ s/step; 2f<sub>H</sub> mode 0.145  $\mu$ s/step)

| HB3 | HB2 | HB1 | HB0 | TIMING OF BLANKING <sup>(1)</sup> |                      |
|-----|-----|-----|-----|-----------------------------------|----------------------|
|     |     |     |     | 1f <sub>H</sub> MODE              | 2f <sub>H</sub> MODE |
| 0   | 0   | 0   | 0   | -2.03 $\mu$ s                     | -1.015 $\mu$ s       |
| 0   | 1   | 1   | 1   | 0 $\mu$ s                         | 0 $\mu$ s            |
| 1   | 1   | 1   | -   | 2.03 $\mu$ s                      | 1.015 $\mu$ s        |

**Note**

- See Chapter "Characteristics"; note 13.

**Table 21** Horizontal free-running frequency in TV mode

| HDTV | CDTV | FREQUENCY            |                      |
|------|------|----------------------|----------------------|
|      |      | 1f <sub>H</sub> MODE | 2f <sub>H</sub> MODE |
| 0    | 0    | 15.7 kHz             | 31.4 kHz             |
| 0    | 1    | 14.25 kHz            | 28.5 kHz             |
| 1    | -    | 16.9 kHz             | 33.8 kHz             |

**Table 22** Vertical scan reference in 2f<sub>H</sub> TV mode

| VSR | VERTICAL SCAN REFERENCE       |
|-----|-------------------------------|
| 0   | end of V <sub>D</sub> pulse   |
| 1   | start of V <sub>D</sub> pulse |

**Table 23** Time constant phase-1 loop

| FAST | TIME CONSTANT    |
|------|------------------|
| 0    | normal           |
| 1    | increased by 30% |

**Table 24** Synchronization mode

| POC | MODE                       |
|-----|----------------------------|
| 0   | synchronization active     |
| 1   | synchronization not active |

**Table 25** Overvoltage input mode

| PRD | OVERVOLTAGE MODE |
|-----|------------------|
| 0   | detection mode   |
| 1   | protection mode  |

I<sup>2</sup>C-bus controlled TV display processors

## TDA933xH series

**Table 26** Multi-sync mode

| VGA | MODE   |
|-----|--|
| 0   | horizontal frequency fixed by internal reference |
| 1   | multi-sync function switched on                  |

**Table 27** Extended slow start mode

| ESS | EXTENDED SLOW START MODE |
|-----|--------------------------|
| 0   | not active               |
| 1   | active                   |

**Table 28** Long blanking mode

| LBM | BLANKING MODE                           |
|-----|---|
| 0   | adapted to standard (50 or 60 Hz)       |
| 1   | fixed in accordance with 50 Hz standard |

**Table 29** Vertical free-running frequency in TV mode

| VFF | FREQUENCY                           |
|-----|-------------------------------------|
| 0   | 50 Hz (SVF = 0) or 100 Hz (SVF = 1) |
| 1   | 60 Hz (SVF = 0) or 120 Hz (SVF = 1) |

**Table 30** De-interlace phase

| DIP | PHASE   |
|-----|---|
| 0   | delay of 1st field (start of synchronized V <sub>D</sub> pulse coincides with H-flyback) with 0.5 H |
| 1   | delay of 2nd field with 0.5 H   |

**Table 31** Switch-off in vertical overscan

| OSO | MODE                            |
|-----|---------------------------------|
| 0   | switch-off undefined            |
| 1   | switch-off in vertical overscan |

**Table 32** Select vertical frequency

| SVF | MODE                                |
|-----|-------------------------------------|
| 0   | vertical frequency is 50 or 60 Hz   |
| 1   | vertical frequency is 100 or 120 Hz |

**Table 33** Enable vertical guard (RGB blanking)

| EVG | VERTICAL GUARD MODE |
|-----|---------------------|
| 0   | not active          |
| 1   | active              |

**Table 34** Interlace

| DL | STATUS       |
|----|--------------|
| 0  | interlace    |
| 1  | de-interlace |

**Table 35** Soft clipping level

| SC1 | SC0 | VOLTAGE DIFFERENCE BETWEEN SOFT CLIPPING AND PWL |
|-----|-----|--|
| 0   | 0   | 0% above PWL                                     |
| 0   | 1   | 5% above PWL                                     |
| 1   | 0   | 10% above PWL                                    |
| 1   | 1   | soft clipping off                                |

**Table 36** Clamp pulse timing

| HDCL | MODE <sup>(1)</sup> |
|------|---------------------|
| 0    | normal timing       |
| 1    | HDTV timing         |

**Note**

1. See Chapter "Characteristics"; note 13.

**Table 37** Start line blanking (15 steps; 2 line locked clock period per step; 1 line period is 440 LLC pulses)

| LBL3 | LBL2 | LBL1 | LBL0 | START LINE BLANKING <sup>(1)</sup> |
|------|------|------|------|------------------------------------|
| 0    | 0    | 0    | 0    | +14 LLC                            |
| 0    | 1    | 1    | 1    | normal                             |
| 1    | 1    | 1    | 1    | -16 LLC                            |

**Note**

1. See Chapter "Characteristics"; note 13.

**Output status bits****Table 38** Power-on reset

| POR | MODE       |
|-----|------------|
| 0   | normal     |
| 1   | power-down |

**Table 39** Field frequency indication

| FSI | FREQUENCY    |
|-----|--------------|
| 0   | 50 or 100 Hz |
| 1   | 60 or 120 Hz |

I<sup>2</sup>C-bus controlled TV display processors

## TDA933xH series

**Table 40** Phase 1 ( $\phi_1$ ) lock indication

| SL | INDICATION |
|----|------------|
| 0  | not locked |
| 1  | locked     |

**Table 41** X-ray protection

| XPR | OVERVOLTAGE             |
|-----|-------------------------|
| 0   | no overvoltage detected |
| 1   | overvoltage detected    |

**Table 42** Output of vertical guard

| NDF | VERTICAL OUTPUT STAGE |
|-----|-----------------------|
| 0   | OK                    |
| 1   | failure               |

**Table 43** Indication of RGB-1 insertion

| IN1 | RGB INSERTION |
|-----|---------------|
| 0   | no            |
| 1   | yes           |

**Table 44** Indication of RGB-2 insertion

| IN2 | RGB INSERTION |
|-----|---------------|
| 0   | no            |
| 1   | yes           |

**Table 45** Indication of output black level inside/outside  $V_{g2}$  alignment window

| WBC | CONDITION <sup>(1)</sup>                   |
|-----|--|
| 0   | black current stabilization outside window |
| 1   | black current stabilization inside window  |

**Note**

- See Chapter "Characteristics"; note 16.

**Table 46** IC identification

| ID1 | ID0 | IC VERSION |
|-----|-----|------------|
| 0   | 0   | TDA9330H   |
| 0   | 1   | TDA9332H   |
| 1   | 1   | TDA9331H   |

**Table 47** Mask version indication

| N2 | N3 | MASK VERSION |
|----|----|--------------|
| 0  | 0  | N1 version   |
| 0  | 1  | spare        |
| 1  | 0  | N2 version   |
| 1  | 1  | N3 version   |

**Table 48** Condition of horizontal flyback

| NHF | CONDITION                 |
|-----|---------------------------|
| 0   | flyback pulse present     |
| 1   | flyback pulse not present |

**Table 49** Indication of failure in black current circuit

| BCF | CONDITION                                      |
|-----|--|
| 0   | normal operation                               |
| 1   | failure in black current stabilization circuit |

**Table 50** Indication of flash detection

| FLS | CONDITION              |
|-----|------------------------|
| 0   | no flash-over detected |
| 1   | flash-over detected    |

**Table 51** Locking of reference oscillator to crystal oscillator

| NRF | CONDITION                          |
|-----|------------------------------------|
| 0   | reference oscillator is locked     |
| 1   | reference oscillator is not locked |

**Table 52** Indication of output black level below or above the middle of  $V_{g2}$  alignment window

| HBC | CONDITION <sup>(1)</sup>                 |
|-----|--|
| 0   | black current stabilization below window |
| 1   | black current stabilization above window |

**Note**

- See Chapter "Characteristics"; note 16.

**Table 53** Polarity of  $H_D$  input pulse

| HPOL | POLARITY |
|------|----------|
| 0    | positive |
| 1    | negative |

I<sup>2</sup>C-bus controlled TV display processors

## TDA933xH series

**Table 54** Polarity of V<sub>D</sub> input pulse

| VPOL | POLARITY |
|------|----------|
| 0    | positive |
| 1    | negative |

**LIMITING VALUES**

In accordance with the Absolute Maximum Rating System (IEC 60134).

| SYMBOL           | PARAMETER             | CONDITIONS | MIN. | MAX. | UNIT |
|------------------|-----------------------|------------|------|------|------|
| V <sub>P</sub>   | supply voltage        |            | –    | 9.0  | V    |
| T <sub>stg</sub> | storage temperature   |            | –25  | +150 | °C   |
| T <sub>amb</sub> | ambient temperature   |            | 0    | 70   | °C   |
| T <sub>sol</sub> | soldering temperature | for 5 s    | –    | 260  | °C   |
| T <sub>j</sub>   | junction temperature  |            | –    | 150  | °C   |

**THERMAL CHARACTERISTICS**

| SYMBOL               | PARAMETER                                   | CONDITIONS  | VALUE | UNIT |
|----------------------|---|-------------|-------|------|
| R <sub>th(j-a)</sub> | thermal resistance from junction to ambient | in free air | 60    | K/W  |

**QUALITY SPECIFICATION**

In accordance with "SNW-FQ-611E-part E".

**ESD protection**

All pins are protected against ESD by internal protection diodes, and meet the following specification:

- Human body model (R = 1.5 kΩ; C = 100 pF):  
all pins > ±3000 V
- Machine model (R = 0 Ω; C = 200 pF):  
all pins > ±300 V.

**Latch-up performance**

At an ambient temperature of 50 °C all pins meet the following specification:

- Positive stress test: I<sub>trigger</sub> ≥ 100 mA  
or V<sub>pin</sub> ≥ 1.5 × V<sub>CC(max)</sub>
- Negative stress test: I<sub>trigger</sub> ≤ –100 mA  
or V<sub>pin</sub> ≤ –0.5 × V<sub>CC(max)</sub>.

At an ambient temperature of 70 °C, all pins meet the specification as mentioned above, with the exception of pin 32, which can withstand a negative stress current of at least 50 mA.



I<sup>2</sup>C-bus controlled TV display processors

## TDA933xH series

**CHARACTERISTICS**

$V_P = 8\text{ V}$ ;  $T_{\text{amb}} = 25\text{ °C}$ ; unless otherwise specified.

| SYMBOL   | PARAMETER  | CONDITIONS         | MIN. | TYP. | MAX. | UNIT          |
|--|--|--------------------|------|------|------|---------------|
| <b>Supplies</b>                                |  |                    |      |      |      |               |
| MAIN SUPPLY; PINS 17 AND 39                    |  |                    |      |      |      |               |
| $V_{P1}$                                       | supply voltage   |                    | 7.2  | 8.0  | 8.8  | V             |
| $V_{POR}$                                      | power-on reset voltage level   | note 1             | 5.8  | 6.1  | 6.5  | V             |
| $I_{P1}$                                       | supply current   | pin 17 plus pin 39 | 44   | 50   | 58   | mA            |
|  |  | pin 17             | –    | 22   | –    | mA            |
|  |  | pin 39             | –    | 28   | –    | mA            |
| $P_{\text{tot}}$                               | total power dissipation  |                    | –    | 400  | –    | mW            |
| LOW-POWER START-UP; PIN 22; see note 2         |  |                    |      |      |      |               |
| $V_{\text{lp(start)(min)}}$                    | minimum low power start-up voltage                                     |                    | 3.6  | 4.0  | 4.4  | V             |
| $V_{P2}$                                       | maximum allowed voltage  |                    | –    | 5.5  | –    | V             |
| $I_{P2}$                                       | supply current at 5 V start-up voltage                                 |                    | –    | 3.0  | 4.5  | mA            |
| <b>RGB control circuit</b>                     |  |                    |      |      |      |               |
| LUMINANCE INPUT; PIN 28                        |  |                    |      |      |      |               |
| $V_{i(Y)(b-w)}$                                | luminance input voltage (black-to-white value)                         | $GAI = 0$          | –    | 1.0  | 1.5  | V             |
| $Z_i$  | input impedance  |                    | 10   | –    | –    | M $\Omega$    |
| $C_i$  | input capacitance  |                    | –    | –    | 5    | pF            |
| $I_{i(Y)(\text{clamp})}$                       | input current during clamping  |                    | –25  | 0    | +25  | $\mu\text{A}$ |
| U/V INPUTS; PINS 27 AND 26                     |  |                    |      |      |      |               |
| $V_{i(U)(p-p)}$                                | U input signal amplitude (peak-to-peak value)                          |                    | –    | 1.33 | 2.0  | V             |
| $V_{i(V)(p-p)}$                                | V input signal amplitude (peak-to-peak value)                          |                    | –    | 1.05 | 1.6  | V             |
| $Z_i$  | input impedance  |                    | 10   | –    | –    | M $\Omega$    |
| $C_i$  | input capacitance  |                    | –    | –    | 5    | pF            |
| $I_{i(UV)(\text{clamp})}$                      | input current during clamping  |                    | –20  | 0    | +25  | $\mu\text{A}$ |
| RGB-1 INPUT (SCART/VGA); PINS 30 TO 32; note 3 |  |                    |      |      |      |               |
| $V_{i(b-w)}$                                   | input signal amplitude (black-to-white value)                          |                    | –    | 0.7  | 1.0  | V             |
| $\Delta V_o$                                   | difference between black level of YUV and RGB-1 signals at the outputs |                    | –    | –    | 10   | mV            |
| $Z_i$  | input impedance  |                    | 10   | –    | –    | M $\Omega$    |
| $C_i$  | input capacitance  |                    | –    | –    | 5    | pF            |
| $I_{i(\text{clamp})}$                          | input current during clamping  |                    | –25  | 0    | +25  | $\mu\text{A}$ |

I<sup>2</sup>C-bus controlled TV display processors

## TDA933xH series

| SYMBOL   | PARAMETER  | CONDITIONS                                       | MIN. | TYP.  | MAX. | UNIT       |
|--|--|--|------|-------|------|------------|
| $\Delta t_d$   | delay difference for the three channels                                      | note 5   | –    | 0     | –    | ns         |
| FAST BLANKING INPUT (RGB-1); PIN 33                    |  |  |      |       |      |            |
| $V_{i(BL1)}$   | input voltage  | no data insertion                                | 0    | –     | 0.45 | V          |
|  |  | data insertion                                   | 0.9  | –     | 3.0  | V          |
| $\Delta t_d$   | delay difference between insertion to RGB out and RGB in to RGB out          | data insertion; note 5                           | –    | 10    | 20   | ns         |
| $I_{i(BL1)}$   | input current  | source current; note 6                           | –    | –0.12 | –0.2 | mA         |
| $SS_{int}$   | suppression of internal RGB signals  | insertion; $f_i = 0$ to 10 MHz; notes 5 and 7    | 50   | 55    | –    | dB         |
| $SS_{ext}$   | suppression of external RGB signals  | no insertion; $f_i = 0$ to 10 MHz; notes 5 and 7 | 50   | 55    | –    | dB         |
| RGB-2 INPUT (OSD/TEXT); PINS 35 TO 37                  |  |  |      |       |      |            |
| $V_{i(b-w)}$   | input signal amplitude (black-to-white value)                                |  | –    | 0.7   | 1.0  | V          |
| $\Delta V_o$   | difference between black level of YUV/RGB-1 and RGB-2 signals at the outputs |  | –    | –     | tbf  | mV         |
| $Z_i$  | input impedance  |  | 10   | –     | –    | M $\Omega$ |
| $C_i$  | input capacitance  |  | –    | –     | 5    | pF         |
| $I_{i(clamp)}$   | input current during clamping  |  | –40  | 0     | +40  | $\mu$ A    |
| $\Delta t_d$   | delay difference for the three channels                                      | note 5   | –    | 0     | –    | ns         |
| BLENDING (FAST BLANKING) INPUT (RGB-2); PIN 38; note 8 |  |  |      |       |      |            |
| <i>Blending function (OBL = 1)</i>                     |  |  |      |       |      |            |
| $V_{i(BL2)(1)}$  | input voltage  | no data insertion                                | 0    | –     | 0.05 | V          |
|  |  | 50% insertion                                    | 0.69 | 0.725 | 0.76 | V          |
|  |  | 100% insertion                                   | 1.42 | 1.47  | 3.0  | V          |
|  |  | active blending range                            | 0.31 | –     | 1.14 | V          |
| $Ins_{(osd)}$  | percentage of data insertion   | $V_i = 0.31$ V                                   | 0    | 1     | 4    | %          |
|  |  | $V_i = 0.725$ V                                  | 45   | 50    | 55   | %          |
|  |  | $V_i = 1.14$ V                                   | 96   | 99    | 100  | %          |
|  |  | internal signal is 50%                           | 48   | 50    | 52   | %          |
| $V_{i(max)}$   | slope of blending curve  | 50% insertion                                    | –    | 160   | –    | %/V        |
| <i>Fast blanking function (OBL = 0)</i>                |  |  |      |       |      |            |
| $V_{i(BL2)(0)}$  | input voltage  | no data insertion                                | 0    | –     | 0.3  | V          |
|  |  | data insertion                                   | 0.9  | –     | 3.0  | V          |

I<sup>2</sup>C-bus controlled TV display processors

## TDA933xH series

| SYMBOL   | PARAMETER   | CONDITIONS                                       | MIN.                          | TYP.      | MAX. | UNIT    |
|--|---|--|-------------------------------|-----------|------|---------|
| <i>General</i>   |   |  |                               |           |      |         |
| $\Delta t_d$   | delay difference between insertion to RGB out and RGB in to RGB out | data insertion; note 5                           | –                             | 20        | 26   | ns      |
| $I_{i(BL2)}$   | input current   | source current; note 6                           | –                             | –1        | –5   | $\mu$ A |
| SS <sub>int</sub>  | suppression of internal RGB signals                                 | insertion; $f_i = 0$ to 10 MHz; notes 5 and 7    | 50                            | 55        | –    | dB      |
| SS <sub>ext</sub>  | suppression of external RGB signals                                 | no insertion; $f_i = 0$ to 10 MHz; notes 5 and 7 | 50                            | 55        | –    | dB      |
| COLOUR DIFFERENCE MATRICES; note 3   |   |  |                               |           |      |         |
| <i>PAL/SECAM mode; the matrix results in the following signal</i>                        |   |  |                               |           |      |         |
| G – Y  | G – Y   |  | – 0.51 (R – Y) – 0.19 (B – Y) |           |      |         |
| <i>ATSC mode; the matrix results in the following signal; note 4</i>                     |   |  |                               |           |      |         |
| G – Y  | G – Y   |  | – 0.30 (R – Y) – 0.10 (B – Y) |           |      |         |
| <i>NTSC mode; the matrix results in the following modified colour difference signals</i> |   |  |                               |           |      |         |
| MUS bit = 0 (Japan)  |   |  |                               |           |      |         |
| R – Y  | (R – Y)*  |  | 1.39 (R – Y) – 0.07 (B – Y)   |           |      |         |
| G – Y  | (G – Y)*  |  | – 0.46 (R – Y) – 0.15 (B – Y) |           |      |         |
| B – Y  | (B – Y)*  |  | B – Y                         |           |      |         |
| MUS bit = 1 (USA)  |   |  |                               |           |      |         |
| R – Y  | (R – Y)*  |  | 1.32 (R – Y) – 0.12 (B – Y)   |           |      |         |
| G – Y  | (G – Y)*  |  | – 0.42 (R – Y) – 0.25 (B – Y) |           |      |         |
| B – Y  | (B – Y)*  |  | – 0.03 (R – Y) + 1.08 (B – Y) |           |      |         |
| CONTROLS   |   |  |                               |           |      |         |
| <i>Saturation control; note 9</i>  |   |  |                               |           |      |         |
| CR <sub>sat</sub>  | saturation control range  | small signal gain; 63 steps; see Fig.5           | 0                             | –         | 300  | %       |
| CR <sub>sat(nom)</sub>   | I <sup>2</sup> C-bus setting for nominal saturation                 | YUV input signal                                 | –                             | 18 DEC    | –    |         |
| CR <sub>sat(min)</sub>   | minimum saturation  | I <sup>2</sup> C-bus setting 0                   | –                             | –50       | –    | dB      |
| <i>Contrast control; note 9</i>  |   |  |                               |           |      |         |
| CR <sub>contr</sub>  | contrast control range  | 63 steps; see Fig.6                              | –                             | 18        | –    | dB      |
|  | tracking between the three channels over a control range of 10 dB   |  | –                             | –         | 0.5  | dB      |
| <i>Brightness control; note 9</i>  |   |  |                               |           |      |         |
| CR <sub>bri</sub>  | brightness control range  | 63 steps; see Fig.7                              | –                             | $\pm 1.1$ | –    | V       |

I<sup>2</sup>C-bus controlled TV display processors

## TDA933xH series

| SYMBOL                               | PARAMETER  | CONDITIONS   | MIN.     | TYP.      | MAX.         | UNIT     |
|--------------------------------------|--|--|----------|-----------|--------------|----------|
| BLACK LEVEL STRETCHER; note 10       |  |  |          |           |              |          |
| $\Delta V_{bl(max)}$                 | maximum black level shift  | A-to-A; see Fig.8  | 15       | 21        | 27           | IRE      |
| $\Delta V_{bl}$                      | black level shift  | at 100% peak white   | -1       | 0         | +1           | IRE      |
|                                      |  | at 50% peak white  | -1       | -         | +3           | IRE      |
|                                      |  | at 15% peak white  | 6        | 8         | 10           | IRE      |
| RGB AMPLIFIER OUTPUTS: PINS 40 TO 42 |  |  |          |           |              |          |
| $V_{40-42(b-w)}$                     | output signal amplitude (black-to-white value)   | at nominal luminance input signal and nominal contrast, cathode drive level and white-point adjustment; note 11  | -        | 2.0       | -            | V        |
| $V_o$                                | output voltage range   |  | 1        | -         | $V_{CC} - 2$ | V        |
| $Z_o$                                | output impedance   | note 12  | -        | 120       | 150          | $\Omega$ |
| $I_{sink}$                           | sink current   | emitter follower output  | -        | 2         | -            | mA       |
| $V_{o(RED)(p-p)}$                    | output signal amplitude for the 'red' channel (peak-to-peak value)                                     | at nominal settings for contrast and saturation control and no luminance signal at the input (R-Y, PAL); note 11 | -        | 2.1       | -            | V        |
| $V_{bl(nom)}$                        | nominal black level voltage  |  | -        | 2.5       | -            | V        |
| $V_{bl}$                             | black level voltage  | when black level stabilization is switched off (via AKB bit)   | -        | 2.5       | -            | V        |
| $t_{W(blank)}$                       | width of video blanking pulse with bit HBL active  | at 1f <sub>H</sub> ; note 13   | 14.4     | 14.7      | 15.0         | $\mu$ s  |
|                                      |  | at 2f <sub>H</sub> ; note 13   | 7.2      | 7.35      | 7.5          | $\mu$ s  |
| $CR_{bl}$                            | control range of the black current stabilization   | notes 15 and 16  | -        | $\pm 1$   | -            | V        |
| $V_{blank}$                          | blanking voltage level   | difference with black level; note 11   | -0.4     | -0.5      | -0.6         | V        |
| $V_{blank(leak)}$                    | blanking voltage level during leakage measurement  |  | -        | -0.1      | -            | V        |
| $V_{blank(l)}$                       | blanking voltage level during low measuring pulse  |  | -        | 0.25      | -            | V        |
| $V_{blank(h)}$                       | blanking voltage level during high measuring pulse   |  | -        | 0.38      | -            | V        |
| $\Delta V_{(RGB)(mp)}$               | adjustment range of the ratio between the amplitudes of the RGB drive voltage and the measuring pulses | note 11  | -        | $\pm 6$   | -            | dB       |
| $V_{bl(WBC)}$                        | black level at the output at which bit WBC is set to 1   | nominal value  | 2.4      | 2.5       | 2.6          | V        |
|                                      |  | window; note 16  | -        | $\pm 100$ | -            | mV       |
| $\Delta bl/\Delta T$                 | variation of black level with temperature  | note 5   | -        | 1.0       | -            | mV/K     |
| $CR_{bl}$                            | black level offset adjustment range on red and green channels  | 15 steps; 10 mV/step   | $\pm 70$ | $\pm 75$  | $\pm 80$     | mV       |

I<sup>2</sup>C-bus controlled TV display processors

## TDA933xH series

| SYMBOL   | PARAMETER   | CONDITIONS                           | MIN.      | TYP.      | MAX.      | UNIT    |
|--|---|--------------------------------------|-----------|-----------|-----------|---------|
| $\Delta V_{bl}$  | relative variation in black level between the three channels during variations of | note 5                               |           |           |           |         |
|  | supply voltage ( $\pm 10\%$ )   | nominal controls                     | –         | –         | 20        | mV      |
|  | saturation (50 dB)  | nominal contrast                     | –         | –         | 20        | mV      |
|  | contrast (20 dB)  | nominal saturation                   | –         | –         | 20        | mV      |
|  | brightness ( $\pm 0.5$ V)   | nominal controls                     | –         | –         | 20        | mV      |
|  | temperature (range 40 °C)   |                                      | –         | –         | 20        | mV      |
| S/N  | signal-to-noise ratio of the output signals                                       | notes 5 and 17                       | 60        | –         | –         | dB      |
| $B_{o(Y)(10pF)}$   | luminance bandwidth of output signals   | with 10pF load capacitance; note 12  |           |           |           |         |
|  |   | luminance input; at –3 dB            | 30        | 33        | –         | MHz     |
|  |   | RGB-1 input; at –3 dB                | 28        | 31        | –         | MHz     |
|  |   | RGB-2 input; at –3 dB                | 27        | 29        | –         | MHz     |
| $B_{o(Y)(25pF)}$   | luminance bandwidth of output signals   | with 25pF load capacitance           |           |           |           |         |
|  |   | luminance input; at –3 dB            | 28        | 31        | –         | MHz     |
|  |   | RGB-1 input; at –3 dB                | 27        | 30        | –         | MHz     |
|  |   | RGB-2 input; at –3 dB                | 24        | 26        | –         | MHz     |
| WHITE-POINT ADJUSTMENT                                     |   |                                      |           |           |           |         |
| $I^2C_{nom}$   | I <sup>2</sup> C-bus setting for nominal gain                                     |                                      | –         | 32 DEC    | –         |         |
| $\Delta G_{RGB}$   | adjustment range of RGB drive levels  | CL control bits; see Table 15        | $\pm 3.2$ | $\pm 3.6$ | $\pm 4.0$ | dB      |
| $\Delta G_v$   | gain control range to compensate spreads in picture tube characteristics          | white point controls                 | –         | $\pm 3$   | –         | dB      |
| 2-POINT BLACK CURRENT STABILIZATION; INPUT PIN 44; note 18 |   |                                      |           |           |           |         |
| $I_{ref(l)}$   | amplitude of low reference current  |                                      | –         | 8         | –         | $\mu A$ |
| $I_{ref(h)}$   | amplitude of high reference current   |                                      | –         | 20        | –         | $\mu A$ |
| $I_L$  | acceptable leakage current  |                                      | –         | $\pm 100$ | –         | $\mu A$ |
| $V_{Iref}$   | voltage on measurement pin  | pin 44; loop closed                  | 3.15      | 3.3       | 3.45      | V       |
| $I_{scan(max)}$  | maximum current during scan   | pin 44; loop open circuit<br>note 18 | –         | –         | –         |         |
| BEAM CURRENT LIMITING; INPUT PIN 43                        |   |                                      |           |           |           |         |
| $V_{bias}$   | internal bias voltage   |                                      | 3.5       | 3.6       | 3.7       | V       |
| $V_{CR}$   | contrast reduction starting voltage   |                                      | 3.1       | 3.3       | 3.5       | V       |
| $V_{dif(CR)}$  | voltage difference for full contrast reduction                                    |                                      | 2.0       | 2.2       | 2.4       | V       |
| $V_{bri}$  | brightness reduction starting voltage   |                                      | 1.6       | 1.8       | 2.0       | V       |
| $V_{dif(BR)}$  | voltage difference for full brightness reduction                                  |                                      | –         | 1         | –         | V       |

I<sup>2</sup>C-bus controlled TV display processors

## TDA933xH series

| SYMBOL  | PARAMETER   | CONDITIONS  | MIN.   | TYP. | MAX.     | UNIT |
|---|---|---|--------|------|----------|------|
| I <sub>ch(int)</sub>                                      | internal charge current   |   | 1.5    | 2.0  | 2.5      | μA   |
| I <sub>dch(max)</sub>                                     | maximum discharge current when the PWL is active  |   | 3.5    | 4.0  | 4.5      | mA   |
| <b>PEAK WHITE LIMITER; note 19</b>                        |   |   |        |      |          |      |
| I <sub>ch(PWL)</sub>                                      | charge current PWL filter pin   | pin 34; 1f <sub>H</sub> mode  | 13     | 16   | 19       | μA   |
|   |   | pin 34; 2f <sub>H</sub> mode  | 26     | 32   | 38       | μA   |
| I <sub>dch(PWL)</sub>                                     | discharge current PWL filter pin  | pin 34; 1f <sub>H</sub> mode  | 26     | 32   | 38       | μA   |
|   |   | pin 34; 2f <sub>H</sub> mode  | 50     | 60   | 70       | μA   |
| V <sub>i(Y)(b-w)</sub>                                    | Y-input signal amplitude at which peak white limiter is activated (black-to-white value)    | PWL range, 15 steps; at maximum contrast                              | 0.65   | –    | 1.0      | V    |
| V <sub>o(RGB)(b-w)</sub>                                  | RGB output signal amplitude at which peak white limiter is activated (black-to-white value) | PWL range, 15 steps; nominal setting of white point controls; note 20 | 2.2    | –    | 3.4      | V    |
| <b>SOFT CLIPPER; note 21</b>                              |   |   |        |      |          |      |
| ΔG <sub>V(sc)</sub>                                       | soft clipper gain reduction   | at maximum contrast; see Fig.9  | –      | 15   | –        | dB   |
| V <sub>o(clip-pwl)</sub>                                  | output level compared to PWL for 100 IRE peak signal  | (A+B)/A; see Fig.9  | –      | 118  | –        | %    |
| <b>BLUE STRETCH; note 22</b>                              |   |   |        |      |          |      |
| ΔG <sub>RG</sub>  | decrease of small signal gain for red and green channels                                    |   | –      | 17   | –        | %    |
| <b>FIXED BEAM CURRENT SWITCH-OFF; notes 23, 24 and 25</b> |   |   |        |      |          |      |
| V <sub>FBCSO</sub>  | detection level   |   | 1      | 1.5  | 2        | V    |
| V <sub>i(FBCSO)(max)</sub>                                | maximum input voltage   |   | –      | –    | 5.5      | V    |
| I <sub>dch</sub>  | discharge current when the fixed beam current function is activated                         | sink current pin 44; note 26  | 0.85   | 1.0  | 1.15     | mA   |
| V <sub>o(max)</sub>                                       | maximum output voltage at the RGB outputs   | 2-point stabilization; note 26  | –      | 6.0  | –        | V    |
|   |   | 1-point stabilization; note 26  | –      | 5.6  | –        | V    |
| t <sub>dch</sub>  | discharge time of picture tube when switching to standby                                    | TFBC = 0; see Fig.15  | –      | 18.6 | –        | ms   |
|   |   | TFBC = 1; see Fig.15  | –      | 25   | –        | ms   |
| <b>Horizontal synchronization and deflection</b>          |   |   |        |      |          |      |
| <b>H<sub>D</sub> INPUT SIGNAL; PIN 24</b>                 |   |   |        |      |          |      |
| V <sub>IL</sub>   | LOW-level of input voltage  | note 27   | –      | –    | 0.8      | V    |
| V <sub>IH</sub>   | HIGH-level of input voltage   | note 27   | 2.0    | –    | 5.5      | V    |
| I <sub>i(HD)</sub>  | input current   |   | –10    | –    | +10      | μA   |
| t <sub>r(HD)</sub>  | rise time   |   | –      | –    | 100      | ns   |
| t <sub>f(HD)</sub>  | fall time   |   | –      | –    | 100      | ns   |
| t <sub>W(HD)</sub>  | pulse width   |   | 200 ns | –    | 1/4 line |      |

I<sup>2</sup>C-bus controlled TV display processors

## TDA933xH series

| SYMBOL   | PARAMETER  | CONDITIONS                                  | MIN.       | TYP.       | MAX.       | UNIT                      |
|--|--|---|------------|------------|------------|---------------------------|
| INTERNAL REFERENCE SIGNAL; CRYSTAL OR RESONATOR CONNECTED TO PINS 20 AND 21; note 28 |  |   |            |            |            |                           |
| $f_{xtal}$   | resonator frequency  |   | –          | 12         | –          | MHz                       |
| $R_{s(xtal)}$  | resonator series resistance                                  | $C_L = 60 \text{ pF}$                       | –          | –          | 30         | $\Omega$                  |
| $V_{i(stab)(p-p)}$   | stabilized input signal (peak-to-peak value)                 |   | 0.5        | 0.8        | 1.0        | V                         |
| $g_{m(max)}$   | maximum transconductance                                     |   | 4          | 5          | –          | mA/V                      |
| $Z_i$  | input impedance  |   | 50         | –          | –          | k $\Omega$                |
| $C_i$  | input capacitance  |   | –          | –          | 10         | pF                        |
| $C_o$  | output capacitance   |   | –          | –          | 5          | pF                        |
| EXTERNAL REFERENCE SIGNAL; INPUT PIN 20  |  |   |            |            |            |                           |
| $f_{XTALI}$  | input signal frequency                                       |   | –          | 12         | –          | MHz                       |
| $V_{i(XTALI)(p-p)}$  | input signal amplitude (peak-to-peak value)                  | AC coupled                                  | 0.8        | –          | 2          | V                         |
| FIRST CONTROL LOOP; note 29  |  |   |            |            |            |                           |
| $f_{o(nom)}$   | free-running frequency                                       | 1 $f_H$ mode; note 30                       | –          | 15.7       | –          | kHz                       |
|  |  | 2 $f_H$ mode; note 30                       | –          | 31.4       | –          | kHz                       |
|  |  | 2 $f_H$ mode; HDTV = 1; note 30             | –          | 33.8       | –          | kHz                       |
|  |  | 2 $f_H$ mode; CDTV = 1; note 30             | –          | 28.5       | –          | kHz                       |
| $\Delta f_{nom}$   | tolerance on free-running frequency                          | note 30                                     | –          | –          | $\pm 1$    | %                         |
| $f_{h/cr}$   | holding/catching range of PLL                                | 1 $f_H$ mode                                | $\pm 0.75$ | $\pm 0.8$  | $\pm 0.85$ | kHz                       |
|  |  | 2 $f_H$ mode                                | $\pm 1.5$  | $\pm 1.6$  | $\pm 1.7$  | kHz                       |
| $\Delta t_{line}$  | maximum line time difference per line                        | 1 $f_H$ mode                                | –2         | –          | +2         | $\mu\text{s}$             |
|  |  | 2 $f_H$ mode                                | –1         | –          | +1         | $\mu\text{s}$             |
| $f_{contr}$  | frequency control range in multi-sync mode                   | 1 $f_H$ mode                                | 15         | –          | 25         | kHz                       |
|  |  | 2 $f_H$ mode                                | 30         | –          | 50         | kHz                       |
| $\Delta f_{corr}$  | maximum speed of frequency correction in multi-sync mode     |   | –          | –          | 100        | kHz/s                     |
| $V_{HSEL}$   | voltage on pin HSEL  | 1 $f_H$ mode                                | 0          | –          | 1          | V                         |
|  |  | 2 $f_H$ mode; pin must be left open circuit | 4          | 5          | 5.5        | V                         |
| SECOND CONTROL LOOP; PIN 14  |  |   |            |            |            |                           |
| $\Delta\phi_i/\Delta\phi_o$  | control sensitivity (loop gain)                              | $\Delta t_i/\Delta t_o$                     | 500        | –          | –          | $\mu\text{s}/\mu\text{s}$ |
| $k_{cor}$  | correction factor k  | note 31                                     | –          | 0.5        | –          |                           |
| $t_{contr}$  | control range from start of horizontal output to mid flyback | 1 $f_H$ mode; note 32                       | 0          | –          | 23.6       | $\mu\text{s}$             |
|  |  | 2 $f_H$ mode; note 32                       | 0          | –          | 11.8       | $\mu\text{s}$             |
| $t_{H(shift)}$   | horizontal shift range                                       | 1 $f_H$ mode; 63 steps                      | –          | $\pm 4.5$  | –          | $\mu\text{s}$             |
|  |  | 2 $f_H$ mode; 63 steps                      | –          | $\pm 2.25$ | –          | $\mu\text{s}$             |

I<sup>2</sup>C-bus controlled TV display processors

## TDA933xH series

| SYMBOL  | PARAMETER  | CONDITIONS  | MIN.  | TYP.  | MAX.           | UNIT |
|---|--|---|-------|-------|----------------|------|
| $\Delta\phi$                                      | control sensitivity for dynamic phase compensation | 1f <sub>H</sub> mode  | –     | 0.4   | –              | μs/V |
|   |  | 2f <sub>H</sub> mode  | –     | 0.2   | –              | μs/V |
| V <sub>i(DP)(comp)</sub>                          | input voltage range for dynamic phase compensation | pin 14; note 33   | 1.5   | 4     | 6.5            | V    |
| Z <sub>i</sub>                                    | input impedance                                    | pin 14; note 33   |       | 100   |                | kΩ   |
| t <sub>par(cor)(max)</sub>                        | maximum range of parallelogram correction          | 1f <sub>H</sub> mode; end of field; flyback width 11 μs; note 34  | ±0.40 | ±0.50 | ±0.60          | μs   |
|   |  | 2f <sub>H</sub> mode; end of field; flyback width 5.5 μs; note 34 | ±0.20 | ±0.25 | ±0.30          | μs   |
| t <sub>bow(cor)(max)</sub>                        | maximum range of bow correction                    | 1f <sub>H</sub> mode; end of field; flyback width 11 μs; note 34  | ±0.40 | ±0.50 | ±0.60          | μs   |
|   |  | 2f <sub>H</sub> mode; end of field; flyback width 5.5 μs; note 34 | ±0.20 | ±0.25 | ±0.30          | μs   |
| HORIZONTAL FLYBACK INPUT; PIN 13                  |  |   |       |       |                |      |
| V <sub>sw(HBLNK)</sub>                            | switching level for horizontal blanking            |   | 0.2   | 0.3   | 0.4            | V    |
| V <sub>sw(p2)</sub>                               | switching level for phase detection                |   | 3.8   | 4.0   | 4.2            | V    |
| V <sub>i(HFB)(max)</sub>                          | maximum input voltage                              |   | –     | –     | V <sub>P</sub> | V    |
| Z <sub>i</sub>                                    | input impedance                                    |   | 10    | –     | –              | MΩ   |
| HORIZONTAL OUTPUT; PIN 8, OPEN COLLECTOR; note 35 |  |   |       |       |                |      |
| V <sub>OL</sub>                                   | LOW-level output voltage                           | I <sub>o</sub> = 10 mA  | –     | –     | 0.3            | V    |
| I <sub>o(hor)</sub>                               | maximum allowed output current                     |   | –     | –     | 10             | mA   |
| V <sub>o(max)</sub>                               | maximum allowed output voltage                     |   | –     | –     | V <sub>P</sub> | V    |
| δ   | duty factor  | V <sub>o</sub> = LOW (t <sub>on</sub> )                           | 51.6  | 51.8  | 52.0           | %    |
| t <sub>on</sub>                                   | switch-on time of horizontal drive pulse           | TV mode, HDTV = 0, ESS = 0  | 155   | 159   | 163            | ms   |
| t <sub>off</sub>                                  | switch-off time of horizontal drive pulse          | TV mode, HDTV = 0, ESS = 0  | 48    | 50    | 52             | ms   |
| t <sub>on(ess)</sub>                              | switch-on time for extended slow start             | TV mode, HDTV = 0, ESS = 1  | 1150  | 1175  | 1200           | ms   |
| Δt  | jitter (σ)   | 1f <sub>H</sub> mode; note 36                                     | –     | 1.4   | –              | ns   |
|   |  | 2f <sub>H</sub> mode; note 36                                     | –     | 1.0   | –              | ns   |
| SANDCASTLE OUTPUT; PIN 9; note 37                 |  |   |       |       |                |      |
| V <sub>SCO(0)</sub>                               | zero level   |   | 0     | 0.5   | 1.0            | V    |
| I <sub>sink</sub>                                 | sink current                                       |   | 0.5   | 0.7   | 0.9            | mA   |
| V <sub>o(SCO)</sub>                               | output voltage                                     | during clamp pulse  | 4.2   | 4.5   | 4.8            | V    |
|   |  | during blanking   | 2.3   | 2.5   | 2.7            | V    |
| I <sub>source</sub>                               | source current                                     |   | 0.5   | 0.7   | 0.9            | mA   |



I<sup>2</sup>C-bus controlled TV display processors

## TDA933xH series

| SYMBOL   | PARAMETER  | CONDITIONS  | MIN. | TYP.  | MAX.   | UNIT  |
|--|--|---|------|-------|--------|-------|
| $I_{i(\text{grd})}$  | guard pulse input current required to stop the blanking after a vertical blanking period                     | note 38   | 1.0  | –     | 3.5    | mA    |
| $t_{W(1)}$   | pulse width in 1f <sub>H</sub> mode  | clamp pulse, 22 LLC pulses  | –    | 3.2   | –      | μs    |
|  |  | vertical blanking (50/60 Hz)  | –    | 22/17 | –      | lines |
| $t_{W(2)}$   | pulse width in 2f <sub>H</sub> mode  | clamp pulse, 22 LLC pulses  | –    | 1.6   | –      | μs    |
|  |  | clamp pulse, HDTV = 1, HDCL = 1, 18 LLC; see Fig.11                     | –    | 1.22  | –      | μs    |
|  |  | vertical blanking; depends on VWAIT setting; see Fig.13                 | –    |       | –      |       |
| $t_{d(\text{bk-HD})}$  | delay between start H <sub>D</sub> pulse and start of clamp pulse  | 1f <sub>H</sub> mode, 37 LLC pulses                                     | –    | 5.4   | –      | μs    |
|  |  | 2f <sub>H</sub> mode, 37 LLC pulses                                     | –    | 2.7   | –      | μs    |
|  |  | 2f <sub>H</sub> mode, HDCL = 1, 14 LLC pulses, see Fig.11               | –    | 0.94  | –      | μs    |
| <b>Vertical synchronization and geometry processing</b>      |  |   |      |       |        |       |
| V <sub>D</sub> INPUT SIGNAL; PIN 23                          |  |   |      |       |        |       |
| V <sub>IL</sub>  | LOW-level of input voltage   |   | –    | –     | 0.8    | V     |
| V <sub>IH</sub>  | HIGH-level of input voltage  |   | 2.0  | –     | 5.5    | V     |
| $I_{i(\text{VD})}$   | input current  |   | –10  | –     | +10    | μA    |
| $t_{r(\text{VD})}$   | rise time  |   | –    | –     | 100    | ns    |
| $t_{f(\text{VD})}$   | fall time  |   | –    | –     | 100    | ns    |
| $t_{W(\text{VD})}$   | pulse width  |   | 0.5  | –     | 63.5   | lines |
| VERTICAL DIVIDER AND RAMP GENERATOR; PINS 15 AND 16; note 39 |  |   |      |       |        |       |
| N <sub>h</sub>   | number of lines per field (VGA mode is valid only for TDA9331H and TDA9332H)                                 | 1f <sub>H</sub> TV mode   | 244  | –     | 511.5  | lines |
|  |  | 1f <sub>H</sub> VGA mode  | 175  | –     | 450    | lines |
|  |  | 2f <sub>H</sub> ; 2f <sub>V</sub> ; TV mode                             | 244  | –     | 511.5  | lines |
|  |  | 2f <sub>H</sub> ; 1f <sub>V</sub> ; TV mode                             | 488  | –     | 1023.5 | lines |
|  |  | 2f <sub>H</sub> VGA mode  | 350  | –     | 900    | lines |
| N <sub>h(nom)</sub>  | divider value when not locked (number of lines per field) (VGA mode is valid only for TDA9331H and TDA9332H) | 1f <sub>H</sub> or 2f <sub>H</sub> ; 2f <sub>V</sub> ; TV mode; VFF = 0 | –    | 312.5 | –      | lines |
|  |  | 1f <sub>H</sub> or 2f <sub>H</sub> ; 2f <sub>V</sub> ; TV mode; VFF = 1 | –    | 262.5 | –      | lines |
|  |  | 2f <sub>H</sub> ; 1f <sub>V</sub> ; TV mode; VFF = 0                    | –    | 625   | –      | lines |
|  |  | 2f <sub>H</sub> ; 1f <sub>V</sub> ; TV mode; VFF = 1                    | –    | 525   | –      | lines |
|  |  | 1f <sub>H</sub> ; VGA mode  | –    | 288   | –      | lines |
|  |  | 2f <sub>H</sub> ; VGA mode  | –    | 576   | –      | lines |
| V <sub>saw(p-p)</sub>  | sawtooth amplitude (peak-to-peak value)  | VS = 1FH;<br>C = 100 nF; R = 39 kΩ                                      | –    | 3.0   | –      | V     |

I<sup>2</sup>C-bus controlled TV display processors

## TDA933xH series

| SYMBOL                               | PARAMETER   | CONDITIONS                      | MIN. | TYP.   | MAX. | UNIT |
|--------------------------------------|---|---------------------------------|------|--------|------|------|
| I <sub>dch</sub>                     | discharge current                                       |                                 | –    | 1.2    | –    | mA   |
| I <sub>ch(ext)(R)</sub>              | charge current set by external resistor                 | R = 39 kΩ; VS = 1FH;<br>SVF = 0 | –    | 16     | –    | μA   |
|                                      |   | R = 39 kΩ; VS = 1FH;<br>SVF = 1 | –    | 32     | –    | μA   |
| Slope <sub>vert</sub>                | vertical slope  | control range (63 steps)        | –20  | –      | +20  | %    |
| ΔI <sub>ch</sub>                     | charge current increase                                 | 60/50 Hz or 120/100 Hz          | 18.0 | 19.0   | 20.0 | %    |
| V <sub>rampL</sub>                   | LOW-voltage level of ramp                               |                                 | –    | 2.3    | –    | V    |
| VERTICAL DRIVE OUTPUTS; PINS 1 AND 2 |   |                                 |      |        |      |      |
| I <sub>o(ver)(p-p)</sub>             | differential output current (peak-to-peak value)        | VA = 1FH                        | 0.88 | 0.95   | 1.02 | mA   |
| I <sub>CM</sub>                      | common mode current                                     |                                 | 360  | 400    | 440  | μA   |
| V <sub>o(VDO)</sub>                  | output voltage range                                    |                                 | 0    | –      | 4.0  | V    |
| Lin <sub>vert</sub>                  | vertical linearity                                      | upper/lower ratio; note 40      | 0.98 | 1.00   | 1.02 |      |
| DE-INTERLACE                         |   |                                 |      |        |      |      |
| D <sub>1stfld</sub>                  | first field delay                                       | DIP = 0; note 41                | –    | 0.5H   | –    |      |
| E-W WIDTH; note 42                   |   |                                 |      |        |      |      |
| CR                                   | control range   | 63 steps                        | 100  | –      | 65   | %    |
| I <sub>o(eq)</sub>                   | equivalent output current                               | VGA = 0; note 42                | 0    | –      | 700  | μA   |
| V <sub>o(EW)</sub>                   | E-W output voltage range                                |                                 | 1.0  | –      | 8.0  | V    |
| I <sub>o(EW)</sub>                   | E-W output current range                                |                                 | 0    | –      | 1200 | μA   |
| E-W PARABOLA/WIDTH                   |   |                                 |      |        |      |      |
| CR                                   | control range   | 63 steps                        | –42  | –      | +14  | %    |
| I <sub>o(eq)</sub>                   | equivalent output current                               | E-W = 3FH                       | –185 | –      | +62  | μA   |
| I <sup>2</sup> C <sub>cc</sub>       | I <sup>2</sup> C-bus setting for zero corner correction |                                 | –    | 16 DEC | –    |      |
| E-W CORNER/PARABOLA                  |   |                                 |      |        |      |      |
| CR                                   | control range   | 63 steps                        | –42  | –      | +14  | %    |
| I <sub>o(eq)</sub>                   | equivalent output current                               | PW = 3FH; E-W = 3FH             | –185 | –      | +62  | μA   |
| I <sup>2</sup> C <sub>cc</sub>       | I <sup>2</sup> C-bus setting for zero corner correction |                                 | –    | 16 DEC | –    |      |
| E-W TRAPEZIUM                        |   |                                 |      |        |      |      |
| CR                                   | control range   | 63 steps                        | –5   | –      | +5   | %    |
| I <sub>o(eq)</sub>                   | equivalent output current                               |                                 | –100 | –      | +100 | μA   |
| E-W EHT TRACKING                     |   |                                 |      |        |      |      |
| V <sub>i(EHTIN)</sub>                | input voltage   |                                 | 1.2  | –      | 2.8  | V    |
| m <sub>scan</sub>                    | scan modulation range                                   |                                 | –7   | –      | +7   | %    |
| φ <sub>EW</sub>                      | sensitivity   | 63 steps                        | 0    | –      | 9    | %/V  |

I<sup>2</sup>C-bus controlled TV display processors

## TDA933xH series

| SYMBOL  | PARAMETER  | CONDITIONS                  | MIN. | TYP.   | MAX.           | UNIT  |
|---|--|-----------------------------|------|--------|----------------|-------|
| VERTICAL AMPLITUDE  |  |                             |      |        |                |       |
| CR  | control range  | 63 steps; SC = 00H          | 80   | –      | 120            | %     |
| I <sub>o(eq)(diff)(p-p)</sub>   | equivalent differential vertical drive output current (peak-to-peak value) | SC = 00H                    | 760  | –      | 1140           | μA    |
| VERTICAL SHIFT  |  |                             |      |        |                |       |
| CR  | control range  | 63 steps                    | –5   | –      | +5             | %     |
| I <sub>o(eq)(diff)(p-p)</sub>   | equivalent differential vertical drive output current (peak-to-peak value) |                             | –50  | –      | +50            | μA    |
| S-CORRECTION  |  |                             |      |        |                |       |
| CR  | control range  | 63 steps                    | –8   | –      | +24            | %     |
| I <sup>2</sup> C <sub>sc</sub>  | I <sup>2</sup> C-bus setting for zero S-correction                         |                             | –    | 13 DEC | –              |       |
| VERTICAL EHT TRACKING/OVERVOLTAGE PROTECTION  |  |                             |      |        |                |       |
| V <sub>i</sub>  | input voltage  |                             | 1.2  | –      | 2.8            | V     |
| m <sub>scan</sub>   | scan modulation range  |                             | ±4.5 | ±5     | ±5.5           | %     |
| φ <sub>vert</sub>   | vertical sensitivity   |                             | 5.7  | 6.3    | 6.9            | %/V   |
| I <sub>o(eq)(EW)</sub>  | EW equivalent output current   |                             | +100 | –      | –100           | μA    |
| V <sub>ov(det)</sub>  | overvoltage detection level  | note 43                     | 3.7  | 3.9    | 4.1            | V     |
| VERTICAL ZOOM MODE (OUTPUT CURRENT VARIATION WITH RESPECT TO NOMINAL SCAN); note 44 |  |                             |      |        |                |       |
| F <sub>zoom</sub>   | vertical zoom factor   | 63 steps                    | 0.75 | –      | 1.38           |       |
| F <sub>lim</sub>  | output current limiting and RGB blanking                                   |                             | 1.01 | 1.05   | 1.08           |       |
| VERTICAL SCROLL; note 45  |  |                             |      |        |                |       |
| CR  | control range (percentage of nominal picture amplitude)                    | 63 steps                    | –18  | –      | +19            | %     |
| VERTICAL WAIT; note 46  |  |                             |      |        |                |       |
| t <sub>d(scan)</sub>  | delay of start vertical scan   | 23 steps                    | 8    | –      | 31             | lines |
| FLASH DETECTION INPUT; PIN 5; note 43   |  |                             |      |        |                |       |
| V <sub>i(FLASH)</sub>   | input voltage range  |                             | 0    | –      | V <sub>P</sub> | V     |
| V <sub>FLASH(det)</sub>   | voltage detection level  |                             | –    | 2      | –              | V     |
| V <sub>det(hys)</sub>   | detection level hysteresis   |                             | –    | 0.2    | –              | V     |
| t <sub>W(FLASH)</sub>   | pulse width  |                             | 200  | –      | –              | ns    |
| <b>I<sup>2</sup>C-bus control inputs/outputs; pins 10 and 11</b>                    |  |                             |      |        |                |       |
| V <sub>IL</sub>   | LOW-level input voltage  |                             | –    | –      | 1.5            | V     |
| V <sub>IH</sub>   | HIGH-level input voltage   |                             | 3.5  | –      | 5.5            | V     |
| I <sub>IL</sub>   | LOW-level input current  | V <sub>IL</sub> = 0 V       | –    | 0      | –              | μA    |
| I <sub>IH</sub>   | HIGH-level input current   | V <sub>IH</sub> = 5.5 V     | –    | 0      | –              | μA    |
| V <sub>OL</sub>   | LOW-level output voltage   | SDA; I <sub>OL</sub> = 6 mA | –    | –      | 0.6            | V     |

I<sup>2</sup>C-bus controlled TV display processors

## TDA933xH series

| SYMBOL                      | PARAMETER              | CONDITIONS | MIN. | TYP. | MAX. | UNIT |
|-----------------------------|------------------------|------------|------|------|------|------|
| DAC OUTPUT; PIN 25; note 47 |                        |            |      |      |      |      |
| V <sub>o(min)</sub>         | minimum output voltage |            | 0.15 | 0.3  | 0.4  | V    |
| V <sub>o(max)</sub>         | maximum output voltage |            | 3.7  | 4.0  | 4.3  |      |
| Z <sub>o</sub>              | output impedance       | note 47    | 0.3  | –    | 10   | kΩ   |
| I <sub>o</sub>              | output current         |            | –    | –    | 2    | mA   |

**Notes**

- The normal operation of the IC is guaranteed for a supply voltage between 7.2 and 8.8 V. When the supply voltage drops below the POR level, status bit POR is set and the horizontal output is switched off. When the supply voltage is between 7.2 V and the POR level, the horizontal frequency is kept in the specified holding range.
- For the low power start-up mode, a voltage of 5 V has to be supplied to pin 22. The current that is required for this function is about 3.0 mA. After the start-up voltage is applied, the signal at the horizontal drive output will have nominal t<sub>off</sub>, while t<sub>on</sub> grows gradually from zero to about 30% of the nominal value, resulting in a line frequency of approximately 50 kHz (2fH) or 25 kHz (1fH). The start-up mode is continued as soon as the main supply voltage is switched on and the I<sup>2</sup>C-bus data has been received. After status bit POR has been read out, bits STB must be set to 1 within 24 ms, to continue slow start. If bits STB are not sent within 24 ms, the horizontal output will be automatically switched off via slow stop. It is also possible to first set bits STB to 1, before reading bit POR. Start-up of the horizontal output will then continue 24 ms after bit POR is read. When the main supply is present, the 5 V supply on pin 22 can be removed. If low power start-up is not used, pin 22 should be connected to ground. More information can be found in the application report.
- The RGB to YUV matrix on the RGB-1 input is the inverse of the YUV to RGB matrix for PAL. For a one-on-one transfer of all three channels from the RGB-1 input to the RGB output, the PAL colour difference matrix should be selected (MAT = 0, MUS = 0).
- The colorimetry that is used for high definition ATSC signals is described in document ANSI/SMPTE 274M-1995. The formula to compute the luminance signal from the RGB primary components differs from the formula that is used for the PAL system. The consequence is that a different matrix is needed to calculate the internal G – Y signal from the R – Y and B – Y signals, see the formulas below:

$$Y = 0.2126R + 0.7152G + 0.0722B$$

$$R - Y = 0.7874R - 0.7152G - 0.0722B \quad (1.575 \text{ maximum amplitude})$$

$$B - Y = -0.2126R - 0.7152G + 0.9278B \quad (1.856 \text{ maximum amplitude})$$

The G – Y signal can be derived from the formula for Y:  $G - Y = -0.2973(R - Y) - 0.1010(B - Y)$

ATSC signals are transmitted as YP<sub>B</sub>P<sub>R</sub> signals. The colour-difference components P<sub>B</sub> and P<sub>R</sub> are amplitude corrected versions of B – Y and R – Y:

$$P_B = \frac{0.5(B - Y)}{1 - 0.0722} = \frac{(B - Y)}{1.856}$$

$$P_R = \frac{0.5(R - Y)}{1 - 0.2126} = \frac{(R - Y)}{1.575}$$

I<sup>2</sup>C-bus controlled TV display processors

## TDA933xH series

Note that the "YUV" input of the TDA933xH is actually a Y,  $-(R - Y)$  and  $-(B - Y)$  input. When the TV set has an input for a YPBPR signal with amplitudes of 0.7 V for all three components, the signals should be amplified to Y,  $-(B - Y)$  and  $-(R - Y)$  signals as follows:

$$Y_{in,IC} = \frac{1}{0.7} \times Y_{in,TV} = 1.43 Y_{in,TV}$$

$$-(B - Y)_{in,IC} = \frac{1.856}{0.7} \times P_{B in, TV} = -2.65 P_{B in, TV}$$

$$-(R - Y)_{in,IC} = \frac{1.575}{0.7} \times P_{R in, TV} = -2.25 P_{R in, TV}$$

5. This parameter is not tested during production but is guaranteed by the design and qualified by means of matrix batches which are made in the pilot production period.
6. The inputs for RGB-1 and RGB-2 insertion (pins 33 and 38) both supply a small source current to the pins. If the pins are left open circuit, the input voltage will rise above the insertion switching level.
7. This parameter is measured at nominal settings of the various controls.
8. The switching of the OSD (RGB-2) input has two modes, which can be selected via the I<sup>2</sup>C-bus:
  - a) Fast switching between the OSD signal and the internal RGB signals.
  - b) Blending (fading) function between the OSD signal and the internal RGB signals. The blending control curve is given in Fig.4. The blender input is optimized for the blender output of the SAA5800 (ArtistIC).
9. The saturation, contrast and brightness controls are active on the YUV signals and on the first RGB input signals. Nominal contrast is specified with the contrast DAC in position 32 DEC, nominal saturation with the saturation DAC in position 22 DEC. The second RGB input (which is intended to be used for OSD and teletext display) can only be controlled on brightness.
10. For video signals with a black level that deviates from the back-porch blanking level, the signal is 'stretched' to the blanking level. The amount of correction depends on the IRE value of the signal (see Fig.8). The black level is detected by means of an internal capacitor. The black level stretcher can be switched on and off via bit BKS in the I<sup>2</sup>C-bus. The values given in the specification are valid only when the luminance input signal has an amplitude of 1 V (b-w).
11. Because of the 2-point black current stabilization circuit, both the black level and the amplitude of the RGB output signals depend on the drive characteristic of the picture tube. The system checks whether the returning measuring currents meet the requirement and adapts the output level and gain of the circuit as necessary. Therefore, the typical values of the black level and amplitude at the output are just given as an indication for the design of the RGB output stage.
  - a) The 2-point black level system adapts the drive voltage for each cathode such that the two measuring currents have the right value. The consequence is that a change in the gain of the output stage will be compensated by a gain change of the RGB control circuit. Because different picture tubes may require different drive voltage amplitudes, the ratio between the output signal amplitude and the inserted measuring pulses can be adapted via the I<sup>2</sup>C-bus. This is indicated in the parameter 'Adjustment range of RGB drive levels'.
  - b) Because of the dependence of the output signal amplitude on the application, the peak-white and soft-clipping limiting levels have been related to the input signal amplitude.
  - c) The signal amplitude at the RGB outputs of the TDA933xH depends on the gain of the RGB amplifiers. The gain of the RGB amplifiers should be 35 to get the nominal signal amplitude of 2 V (b-w) at the RGB outputs for a cathode drive level of 70 V (b-w) and the nominal setting of the drive level bits ( $CL_{3210} = 1000$ , see Table 15).
12. The bandwidth of the video channels depends on the capacitive load at the RGB outputs. For 2f<sub>H</sub> or VGA applications, external (PNP) emitter followers on the RGB outputs of the TDA933xH are required, to avoid reduction of the bandwidth by the capacitance of the wiring between the TDA933xH and the RGB power amplifiers on the picture tube panel. If emitter followers are used, it should be possible to obtain the bandwidth figures that are mentioned for 10 pF load capacitance.

---

**I<sup>2</sup>C-bus controlled TV display processors****TDA933xH series**

---

13. The timing of the horizontal blanking pulse on the RGB outputs is illustrated in Fig.10.
  - a) The start of the blanking pulse is determined by an internal counter blanking that starts 40 LLC (line locked clock) pulses before the centre of the horizontal flyback pulse. This is 5.8  $\mu\text{s}$  for 1fH and 2.9  $\mu\text{s}$  for 2fH TV mode. The end of the blanking is determined by the trailing edge of the flyback pulse. If required, the start of the counter blanking can be adjusted in 15 steps with bus bits LBL3 to LBL0. This can be useful when HDTV or VGA signals are applied to the IC.
  - b) When the reproduction of 4 : 3 pictures on a 16 : 9 picture tube is realized by reducing the horizontal scan amplitude, the edges of the picture may be slightly disturbed. This effect can be prevented by adding an additional blanking pulse to the RGB signals. This blanking pulse is derived from the horizontal oscillator and is directly related to the incoming H<sub>D</sub> pulse (independent of the flyback pulse). The additional blanking pulse overlaps the normal blanking signal by approximately 1  $\mu\text{s}$  (1f<sub>H</sub>) or 0.5  $\mu\text{s}$  (2f<sub>H</sub>) on both sides. This wide blanking is activated by bit HBL. The phase of this blanking can be controlled in 15 steps by bits HB3 to HB0.
14. When a YUV or RGB signal is applied to the IC and no separate horizontal or vertical timing pulses are available, an external sync separator circuit is needed. The TDA933xH has an edge triggered phase detector circuit on the H<sub>D</sub> input that uses the start of the H<sub>D</sub> pulse as timing reference. To avoid horizontal phase disturbances during the vertical blanking period, it is important that the sync separator does not generate extra horizontal sync pulses during the vertical sync pulse on the video signal.
15. Start-up behaviour of the CCC loop. After the horizontal output is released via bits STB, the RGB outputs are blanked and the CCC loop is activated. Because the picture tube is cold, the measured cathode currents are too small, and both gain and offset are set at the maximum value so that the CCC loop gets out of range and status bit BCF is set to 1. Once the picture tube is warm, the loop comes within range and the set signal for bit BCF is removed. Status bit BCF is set if the voltage of at least one of the cut-off measurement lines at the RGB outputs is lower than 1.5 V or higher than 3.5 V. The RGB outputs are unblanked as soon as bit BCF changes from 1 to 0. To avoid a bright picture after switch-on with a warm picture tube, reset of bit BCF is disabled for 0.5 s after switch-on of the horizontal output. If required, the blanking period of the RGB outputs can be increased by forcing the blanking level at the RGB outputs via RBL = 1. When status bit BCF changes from 1 to 0, bit RBL can be set to 0 after a certain waiting period.
16. Voltage V<sub>g2</sub> of the picture tube can be aligned with the help of status bits WBC and HBC. Bit WBC becomes 1 if the lowest of the three RGB output voltages during the cut-off measurement lines is within the alignment window of  $\pm 0.1$  V around 2.5 V. Bit HBC is 0 if the lowest cut-off level is below 2.6 V, and 1 if this level is above 2.6 V.
  - a) Voltage V<sub>g2</sub> should be aligned such that bit WBC becomes 1. If bit WBC is 0, bit HBC indicates in which direction voltage V<sub>g2</sub> should be adjusted. If bit HBC = 0, the DC level at the RGB outputs of the IC is too low and voltage V<sub>g2</sub> should be adjusted lower until bit WBC becomes 1. If HBC = 1, the DC level is too high and voltage V<sub>g2</sub> should be adjusted higher until bit WBC becomes 1.
  - b) It should be noted that bit WBC is only meant for factory alignment of voltage V<sub>g2</sub>. If the value of bit WBC depends on the video content, this is not a problem. Correct operation of the black current loop is guaranteed as long as status bit BCF = 0, meaning that the DC level of the measurement lines at the RGB outputs of the IC is between 1.5 and 3.5 V.
17. Signal-to-noise ratio (S/N) is specified as a peak-to-peak signal with respect to RMS noise (bandwidth 10 MHz).
18. This is a current input. When the black current feedback loop is closed (only during measurement lines or during fixed beam current switch off), the voltage at this pin is clamped at 3.3 V. When the loop is open circuit, the input is not clamped and the maximum sink current is approximately 100  $\mu\text{A}$ . The voltage on the pin must not exceed the supply voltage.

---

## I<sup>2</sup>C-bus controlled TV display processors

## TDA933xH series

---

19. The control circuit contains a PWL circuit and a soft clipper.
  - a) The detection level of the PWL can be adjusted via the I<sup>2</sup>C-bus in a control range between 0.65 and 1.0 V (b-w). This amplitude is related to the Y input signal, typical amplitude 1 V (b-w), at maximum contrast setting. The detector measures the amplitude of the RGB signals after the contrast control. The output signal of the PWL detector is filtered by an external capacitor, so that short transients in the video signal do not activate the limiting action. Because the capacitor is externally available at pin 34, the set maker can adapt the filter time constant as required. The contrast reduction of the PWL is obtained by discharging the external capacitor at the beam current limiting input (pin 43). To avoid the PWL circuit from reducing the contrast of the main picture when the amplitude of the inserted RGB2 signal is too high, the output current of the PWL detector is disabled when the fast blanking input (pin 38) is high. In blending mode (OBL = 1), the PWL detector is disabled when the blending voltage is above the 50% insertion level. The soft clipper circuit will still limit the peak voltage at the RGB outputs.
  - b) In addition to the PWL circuit, the IC contains a soft clipper function which limits short transients that exceed the PWL. The difference between the PWL and the soft clipping level can be adjusted between 0 and 10% in three steps via the I<sup>2</sup>C-bus, with bus bits SC1 and SC0 (soft clipping level equal or higher than the PWL). It is also possible to switch off the soft clipping function.
20. The above-mentioned output amplitude range at which the PWL detector is activated is valid for nominal settings of the white point controls, and when the CCC loop is switched off or set to 1-point stabilization mode. In 2-point stabilization mode, the mentioned range is only valid when the gain of the RGB output stages is dimensioned such that the RGB output amplitudes are 2 V (b-w) for nominal contrast setting, see also note 11.
21. The soft clipper gain reduction is measured by applying a sawtooth signal with rising slope and 1 V (b-w) at the luminance input. To prevent the beam current limiter from operating, a DC voltage of 3.5 V must be applied to pin 43. The contrast is set at the maximum value, the PWL at the minimum value, and the soft clipping level is set at 0% above the PWL (SC<sub>10</sub> = 00). The tangents of the sawtooth waveform at one of the RGB outputs is now determined at the beginning and end of the sawtooth. The soft clipper gain reduction is defined as the ratio of the slopes of the tangents for black and white, see Fig.9.
22. When the blue stretch function is activated (via I<sup>2</sup>C-bus bit BLS), the gain of the red and green channels is reduced for input signals that exceed a value of 80% of the nominal amplitude. The result is that the white point is shifted to a higher colour temperature.
23. Switch-off behaviour of TDA933xH. For applications with an EHT generator without bleeder resistor, the picture tube capacitance can be discharged with a fixed beam current when the set is switched off. The magnitude of the discharge current is controlled via the black current loop. The fixed beam current mode can be activated with bit FBC. With the fixed beam current option activated, it is still possible to have a black screen during switch-off. This is realized by placing the vertical deflection in the overscan position. This mode is activated by bit OSO. There are two possible situations for switch-off (see notes 24 and 25).
24. The set is switched to standby via the I<sup>2</sup>C-bus. In this situation, the procedure is as follows:
  - a) Vertical scan is completed.
  - b) Vertical flyback is completed.
  - c) Slow stop of the horizontal output is started, by gradually reducing the 'on-time' at the horizontal output from nominal to zero.
  - d) At the same moment, the fixed beam current is forced via the black current loop (if FBC = 1).
  - e) If OSO = 1, the vertical deflection stays in overscan position; if OSO = 0, the vertical deflection keeps running.
  - f) The slow stop time is approximately 50 ms, the fixed beam current flows for 18.6 ms or 25 ms, depending on the value of bit TFBC, see Fig.15.
  - g) To avoid the fixed beam current being activated when the horizontal output has stopped, the fixed beam current cannot be activated anymore via the FBCSO pin; see the following note.

I<sup>2</sup>C-bus controlled TV display processors

## TDA933xH series

25. The set is switched off via the mains power switch. When the mains supply is switched off, the supply voltage of the line deflection circuit of the TV set will decrease. A detection circuit must be made that monitors this supply voltage. When the supply voltage suddenly decreases, pin FBCSO (fixed beam current switch-off) of the TDA933xH must be pulled high. In this situation, the procedure is as follows:
- Vertical scan is completed.
  - Vertical flyback is completed.
  - The fixed beam current is forced via the black current loop (if FBC = 1). The horizontal output keeps running. As the supply voltage for the line transformer decreases, the EHT voltage will also decrease.
  - If OSO = 1, the vertical deflection stays in overscan position; if OSO = 0, the vertical deflection keeps running.
  - When the supply voltage of the TDA933xH drops below the POR level, horizontal output and fixed beam current are stopped.
26. The discharge current for the picture tube can be increased with an external current division circuit on the black current input (pin 44). The current division should only be active for high cathode currents, so that the operation of the black current stabilization loop is not affected. When the feedback current supplied to pin 44 is less than 1 mA, the DC level at the RGB outputs will go to the maximum value of 6.0 V (2-point black current stabilization) or 5.6 V (1-point or no black current stabilization).
27. A stable switching of the H<sub>D</sub> input is realized by using a Schmitt trigger input.
28. The simplified circuit diagram of the oscillator is given in Fig.3. To ensure that the oscillator will start-up, the ceramic resonator must fulfil the following condition:  $C_L^2 \times R_i \leq 1.1 \times 10^{-19}$ .
- Example: When the resonator is loaded with 60 pF (this is a typical value for a 12 MHz resonator), the series resistance of the resonator must be smaller than 30 Ω.
- A suitable ceramic resonator for use with the TDA933xH is the Murata CST12.0MT, which has built-in load capacitances C<sub>a</sub> and C<sub>b</sub>. For higher accuracy, it is also possible to use a quartz crystal, which is even less critical with respect to start-up because of its lower load capacitance.
29. Pin HSEL must be connected to ground in a 1f<sub>H</sub> application; it must be left open circuit for a 2f<sub>H</sub> application. The TDA9331H and TDA9332H can be switched to a multi-sync mode, in which the horizontal frequency can vary between 15 and 25 kHz (1f<sub>H</sub> mode) or 30 and 50 kHz (2f<sub>H</sub> mode).
30. The indicated tolerance on the free-running frequency is only valid when an accurate reference frequency (obtained with an accurate 12 MHz crystal) is used. The tolerance of the reference resonator must be added to obtain the real tolerance on the free-running frequency.
31. The correction factor k of the phase-2 loop is defined as the amount of correction per line period of a phase error between the horizontal flyback pulse and the internal phase-2 reference pulse. When k = 0.5, the phase error between the flyback pulse and the internal reference is halved each line period.
32. The control range of the second control loop depends on the line frequency. The maximum control range from the rising edge of HOUT to the centre of the flyback pulse is always 37% of one line period, for the centre position of the dynamic phase compensation (4.0 V at pin 14).
33. The dynamic phase compensation input (pin 14) is connected to an internal reference voltage of 4.0 V via a resistor of 100 kΩ. If dynamic phase compensation is not used, this pin should be decoupled to ground (pin 19) via a capacitor of 100 nF.
34. The range of parallelogram and bow correction is proportional to the width of the horizontal flyback pulse. For zero correction, use DAC setting 7 DEC or 0111 (bin). The effect of the corrections is shown in Fig.16.



I<sup>2</sup>C-bus controlled TV display processors

## TDA933xH series

35. For safe operation of the horizontal output transistor and to obtain a controlled switch-on time of the EHT, the horizontal drive starts up in a slow start mode. The horizontal drive starts with a very short 'on-time' of the horizontal output transistor (line locked clock pulse, i.e. 72 ns), the 'off-time' of the transistor is identical to the 'off-time' in normal operation. The starting frequency during switch-on is therefore approximately twice the normal value. The  $t_{on}$  is slowly increased to the nominal value in approximately 160 ms (see Fig.15). When the nominal frequency is reached, the PLL is closed such that only very small phase corrections are necessary. This ensures safe operation of the output stage.
- For picture tubes with Dynamic Astigmatic Focusing (DAF) guns, the rise of the EHT voltage between 75 and 100% is preferred to be even slower than the rise time from 0 to 75%. This can be realized by activating bit ESS, at which the total switch-on time of the horizontal output pulse is approximately 1175 ms.
  - During switch-off, the slow-stop function is active. This is realized by decreasing the  $t_{on}$  of the output transistor complementary to the start-up behaviour. The switch-off time is approximately 50 ms. The slow-stop procedure is synchronized to the start of the first new vertical field after reception of the switch-off command. During the slow-stop period, the fixed beam current switch-off can be activated (see also note 23). This current is active during a part of the slow stop period, see Fig.15.
  - The horizontal output is gated with the flyback pulse so that the horizontal output transistor cannot be switched on during the flyback pulse. This protection is not active during the switch-on or switch-off period.
36. This parameter is not tested during production and is just given as application information for the designer of the television receiver.
37. The rise and fall times of the blanking pulse and clamping pulse at the sandcastle output (pin 9) depend on the capacitive load. The value of the source current during the rising edge or sink current during the falling edge is 0.7 mA (typical value).
38. The vertical guard pulse from the vertical output stage should be connected to pin 9 which acts as a current sense input. The guard pulse should fall within the vertical blanking period (see Figs 12 and 13) and should have a width of at least one line period. The guard current value should be at least 1 mA.
39. Switching between the  $1f_v$  or the  $2f_v$  mode is realized via bit SVF.
40. The vertical linearity is measured on the differential output current at the vertical drive output (pins 1 and 2) for zero S-correction. The linearity is defined as the ratio of the upper and lower half amplitudes at the vertical output. The upper amplitude is measured between lines 27 and 167, the lower amplitude between lines 167 and 307 for a 50 Hz video signal.
41. The field detection mechanism is explained in Fig.17.
- The incoming  $V_D$  pulse is synchronized with the internal clock signal CK2H that is locked to the incoming  $H_D$  pulse. If the synchronized  $V_D$  pulse of a field coincides with the internally generated horizontal blanking signal HBLNK, then this is field 1. If the synchronized  $V_D$  pulse does not coincide with HBLNK, then this is field 2. Signals CK2H and HBLNK are both output signals of the horizontal divider circuit that is part of the line-locked clock generator. A reliable field detection is important for correct interlacing and de-interlacing and for the correct timing of the measurement lines of the black current loop. For the best noise margin, the edges of the  $V_D$  pulse should be on approximately  $\frac{1}{4}$  and  $\frac{3}{4}$  of the line, referred to the rising edges of the  $H_D$  input signal.
  - If bus bit VSR = 0, the end of the  $V_D$  pulse is used as reference for both field detection and start of vertical scan. If VSR = 1, the starting edge is used.
42. Output range percentages mentioned for E-W control parameters are based on the assumption that the E-W modulator is dimensioned such that 400  $\mu$ A variation in E-W output current of the IC is equivalent to 20% variation in picture width. In VGA mode, the E-W output current is proportional to the applied line frequency.

I<sup>2</sup>C-bus controlled TV display processors

## TDA933xH series

43. The IC has protection inputs for flash protection and overvoltage protection.
- The flash protection input is used to switch the horizontal drive output off immediately if a picture tube flashover occurs, to protect the line output transistor. An external flash detection circuit is needed. When the flash input is pulled HIGH, the horizontal output is switched off and status bit FLS is set. When the input turns LOW again, the horizontal output is switched on immediately without I<sup>2</sup>C-bus intervention via the slow start procedure.
  - The overvoltage (X-ray) protection is combined with the EHT compensation input. When this protection is activated, the horizontal drive can be directly switched off (via the slow stop procedure). It is also possible to continue the horizontal drive and only set status bit XPR in output byte 01 of the I<sup>2</sup>C-bus. The choice between the two modes of operation is made via bit PRD.
44. The ICs have a zoom adjustment possibility for the horizontal and vertical deflection. For this reason, an extra DAC is included in the vertical amplitude control, which controls the vertical scan amplitude between 0.75 and 1.38 of the nominal scan. At an amplitude of 1.05 times the nominal scan, the output current is limited and the blanking of the RGB outputs is activated, see Fig.14. In addition to the variation of the vertical amplitude, the picture can be vertically shifted on the screen via the 'scroll' function. The nominal scan height must be adjusted at a position of 19H (25 DEC) of the vertical 'zoom' DAC and 1FH (31 DEC) for the vertical 'scroll' DAC.
45. The vertical scroll function is active only in the expand mode of the vertical zoom, i.e. at a DAC position larger than 10H (16 DEC).
46. With the vertical wait function, the start of the vertical scan can be delayed with respect to the incoming vertical sync pulse. The operation is different for the various scan modes, see Table 55 and Figs 12 and 13. The minimum value for the vertical wait is 8 line periods. If the setting is lower than 8, the wait period will remain 8 line periods.
47. In the TDA9330H and TDA9332H, the DAC output is I<sup>2</sup>C-bus controlled. In the TDA9331H, the DAC output voltage is proportional to the centre frequency of the line-oscillator. In TV mode, the output voltage will always be at the minimum value. In VGA mode, the output is at the minimum value for the lowest centre frequency (32 kHz) and at the maximum value for the highest centre frequency (48 kHz). The output impedance of the DAC output depends on the output voltage. The output consists of an emitter follower with an internal resistor of 50 k $\Omega$  to ground.

**Table 55** Operation of the vertical wait function

| MODE                               | START OF VERTICAL SCAN                             |
|------------------------------------|--|
| 1f <sub>H</sub> ; TV mode          | fixed; see Fig.12                                  |
| 2f <sub>H</sub> ; TV mode; VSR = 0 | end of V <sub>D</sub> plus vertical wait setting   |
| 2f <sub>H</sub> ; TV mode; VSR = 1 | start of V <sub>D</sub> plus vertical wait setting |
| 1f <sub>H</sub> ; multi sync mode  | start of V <sub>D</sub> plus vertical wait setting |
| 2f <sub>H</sub> ; multi sync mode  | start of V <sub>D</sub> plus vertical wait setting |

I<sup>2</sup>C-bus controlled TV display processors

TDA933xH series

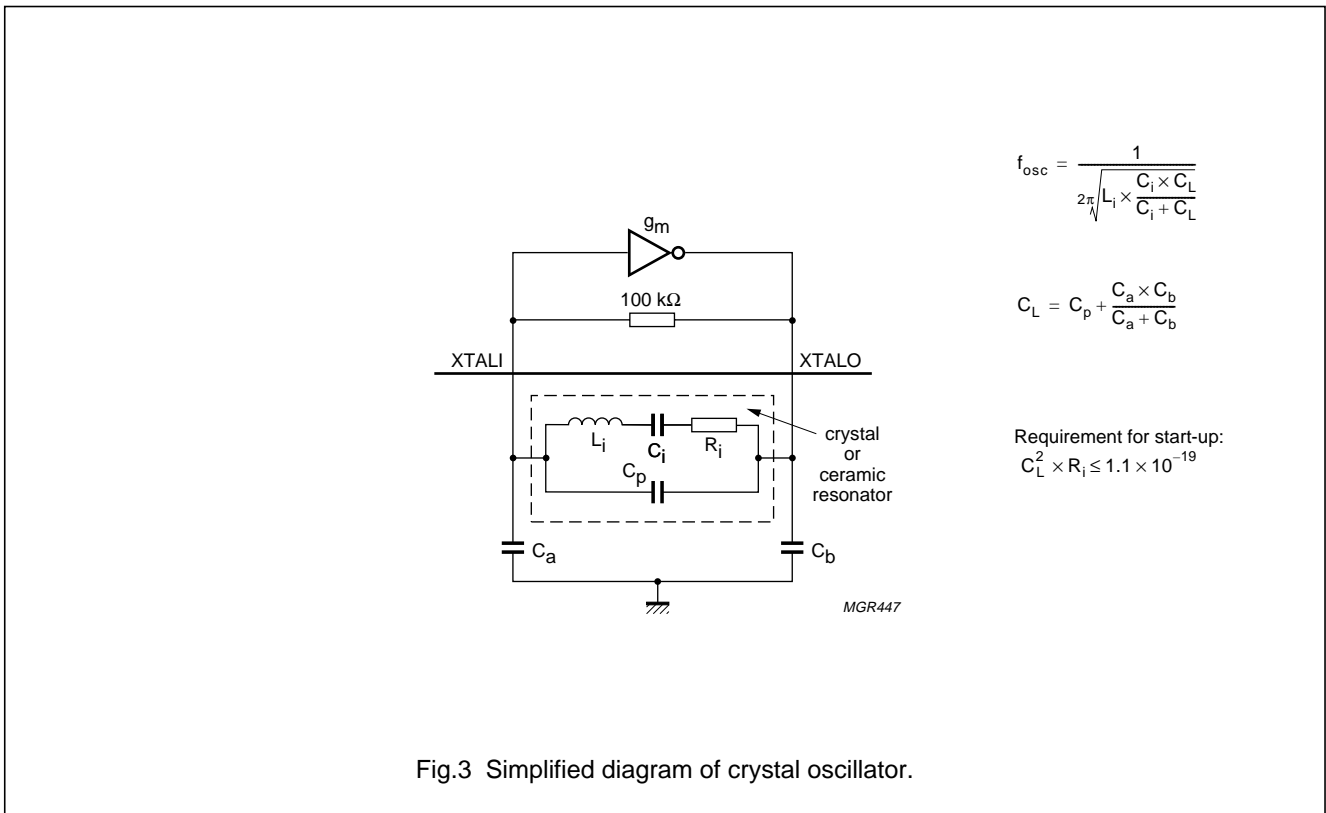


Fig.3 Simplified diagram of crystal oscillator.

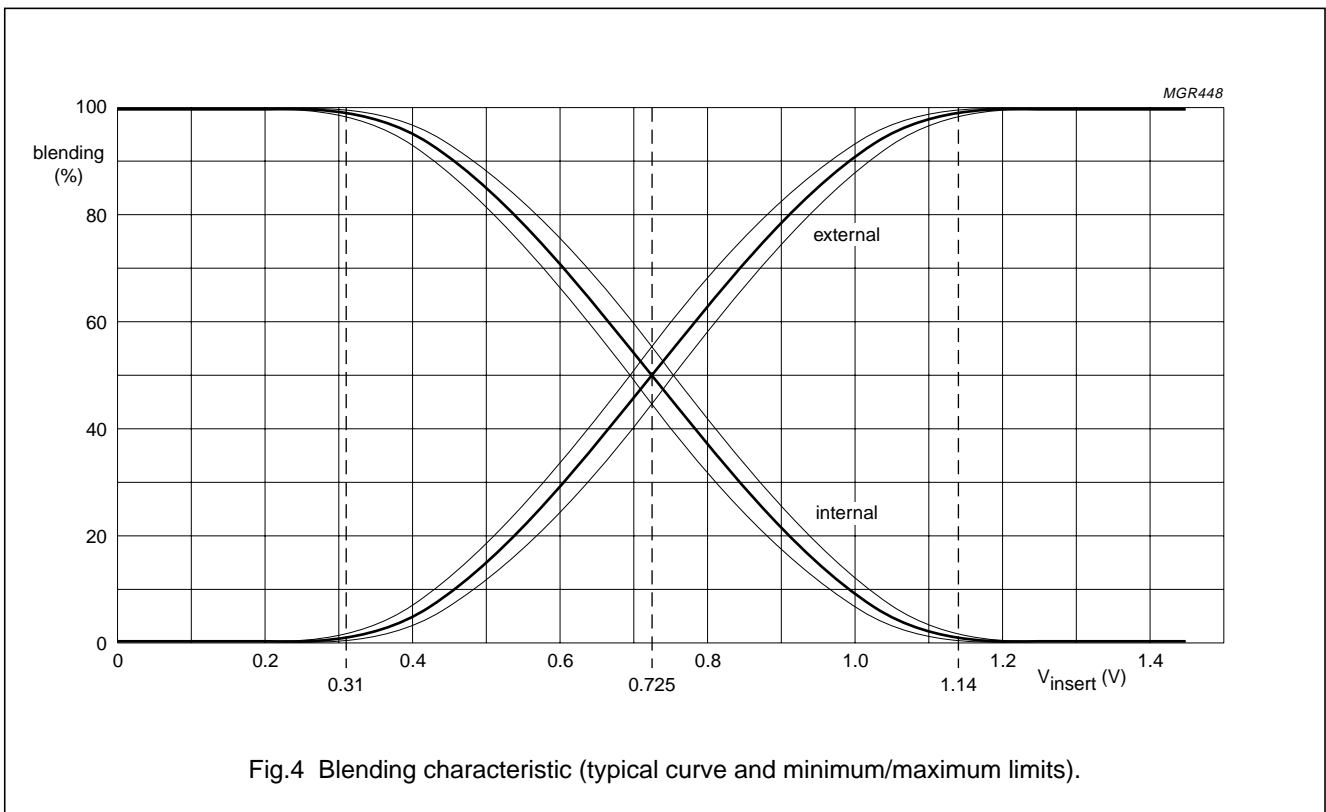
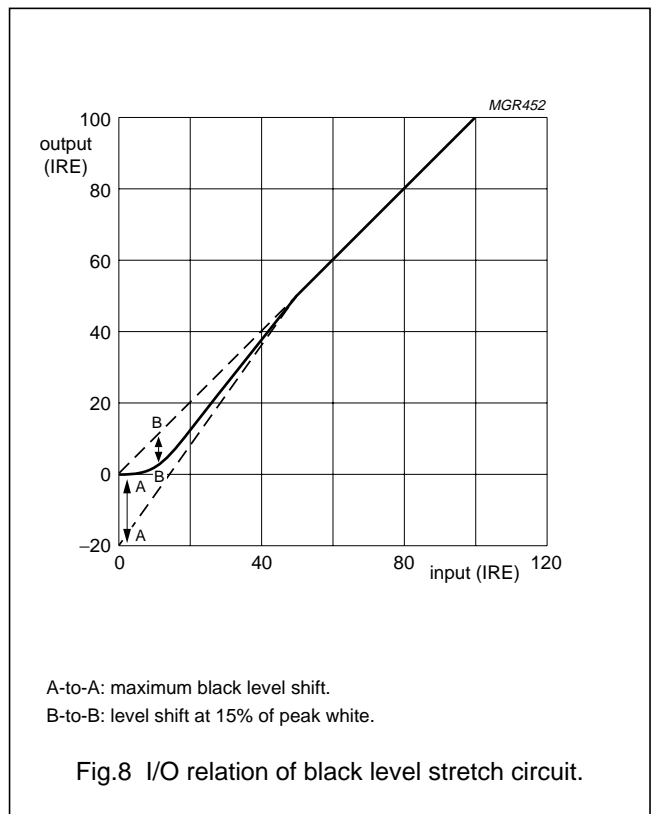
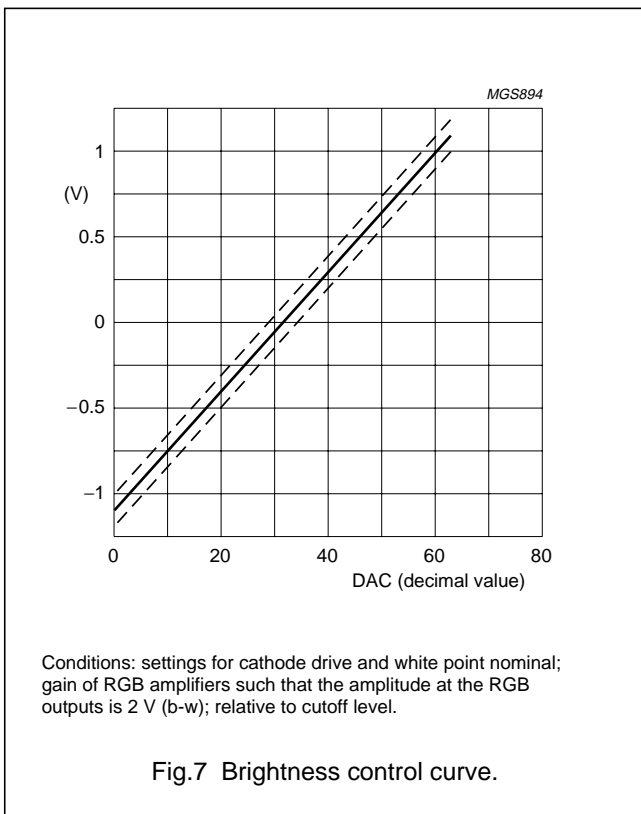
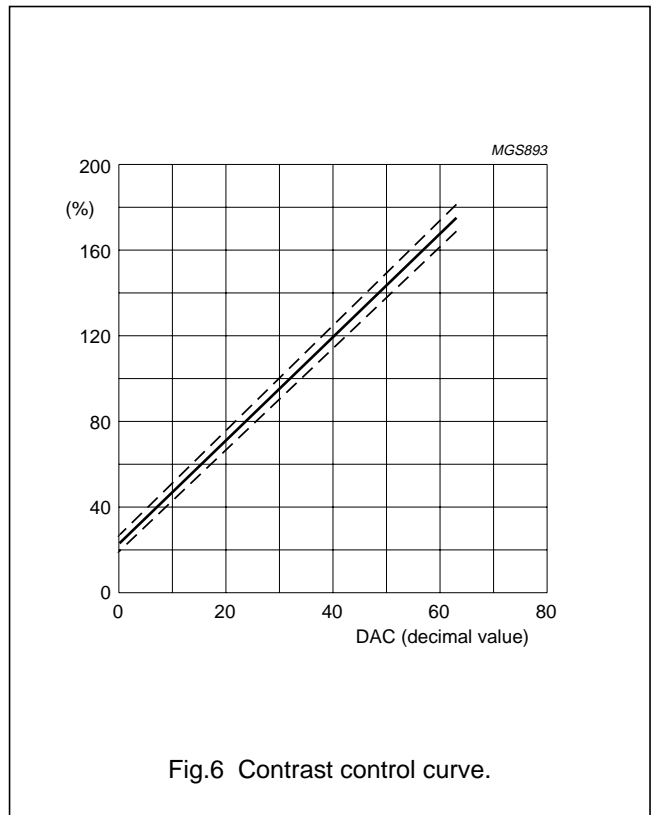
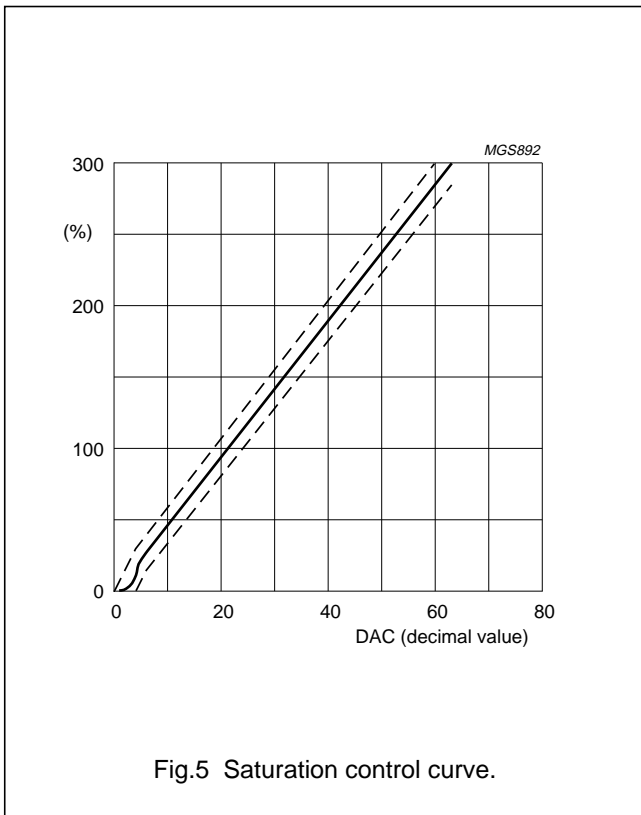


Fig.4 Blending characteristic (typical curve and minimum/maximum limits).

I<sup>2</sup>C-bus controlled TV display processors

TDA933xH series



I<sup>2</sup>C-bus controlled TV display processors

TDA933xH series

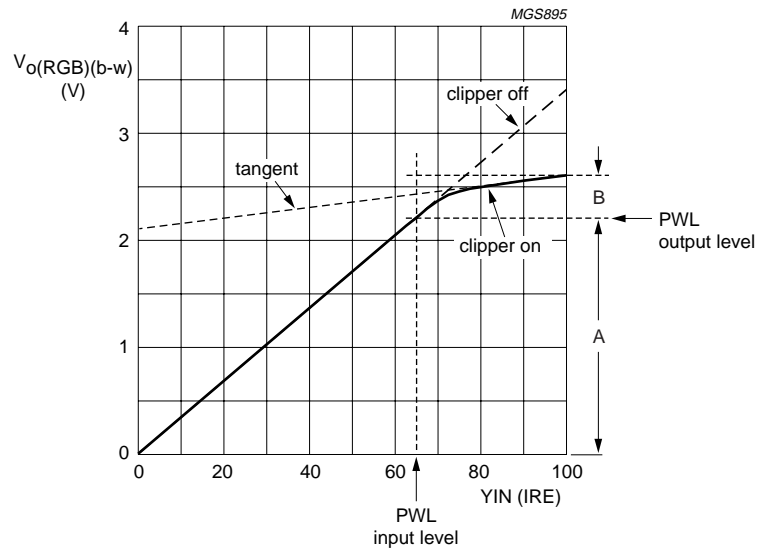
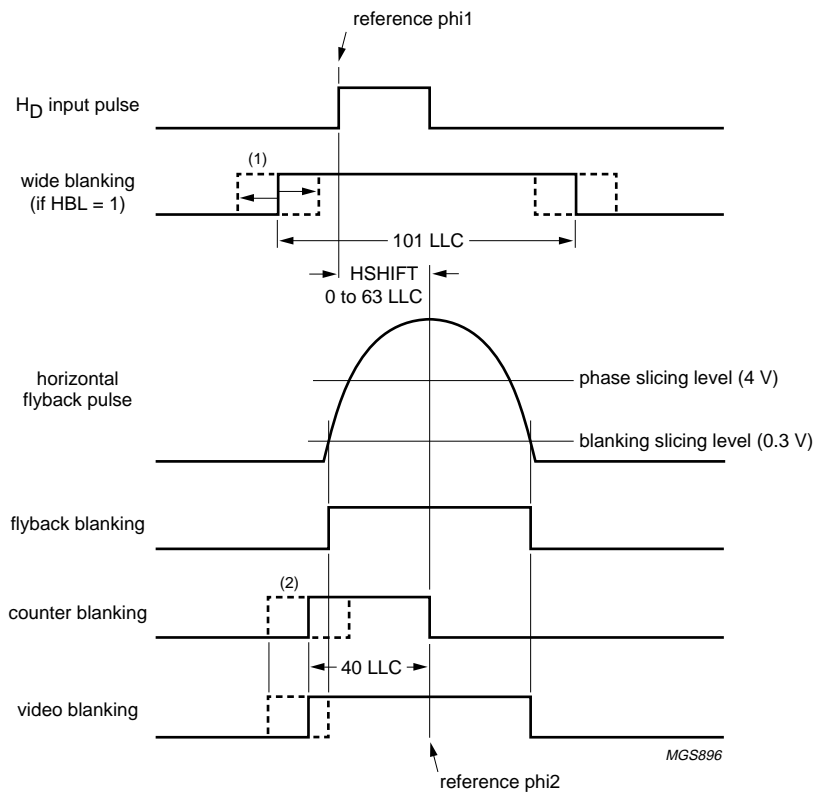


Fig.9 Soft clipper characteristic.

I<sup>2</sup>C-bus controlled TV display processors

TDA933xH series

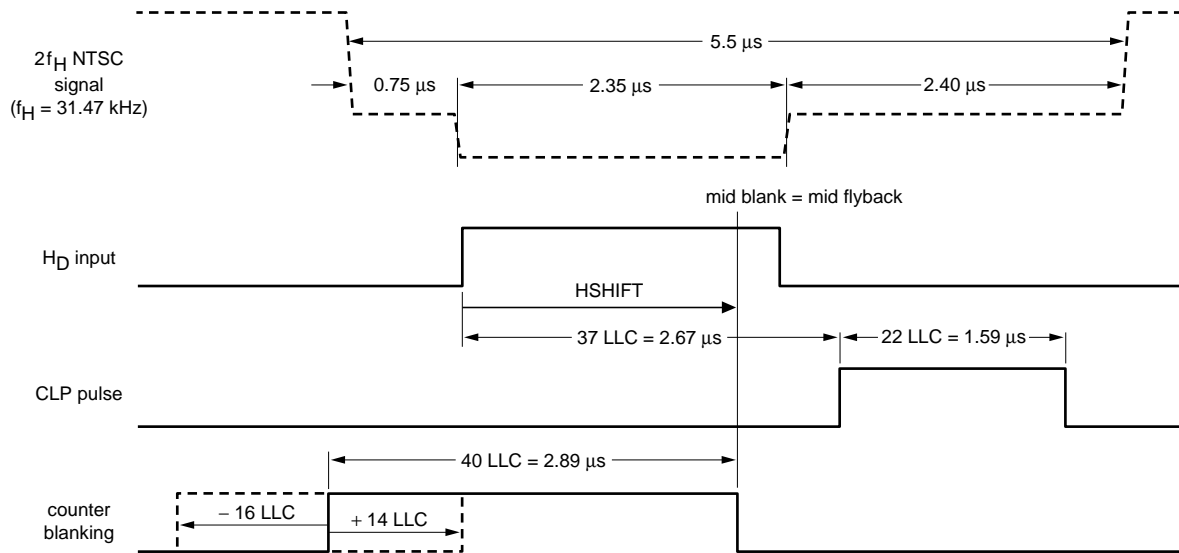


- 1) Position of wide blanking can be adjusted with bus bits HB3 to HB0.
- 2) Start of line blanking can be adjusted with bus bits LBL3 to LBL0.

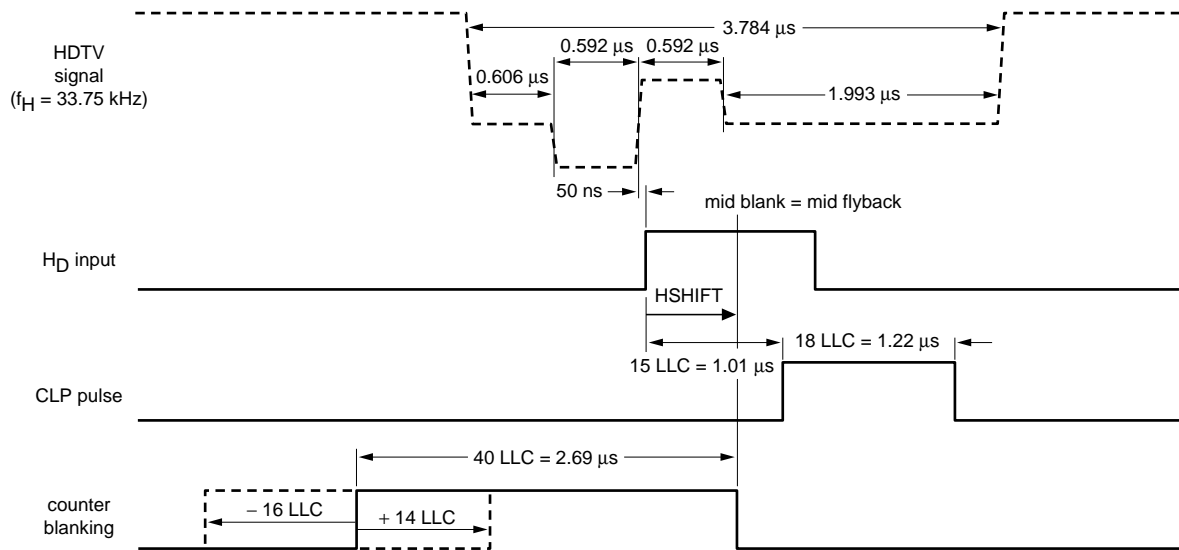
Fig.10 Timing of horizontal blanking (1 line period is 440 LLC pulses).

I<sup>2</sup>C-bus controlled TV display processors

TDA933xH series



(a) Timing in 2f<sub>H</sub> TV mode (HDTV = 0, HDCL = 0)



(b) Timing in HDTV mode (HDTV = 1, HDCL = 1)

MGS897

Video signals are shown as illustration only. All horizontal timing signals in the IC are solely related to the start of the H<sub>D</sub> pulse that is applied to the IC.

All horizontal timing signals are generated with the help of the internal line locked clock (LLC). One line period is always divided into 440 line locked clock pulses. Time periods depicted in the figure are only valid for line frequencies mentioned.

Fig.11 Timing of clamp pulse and line blanking in 2f<sub>H</sub> TV mode and HDTV mode.

I<sup>2</sup>C-bus controlled TV display processors

TDA933XH series

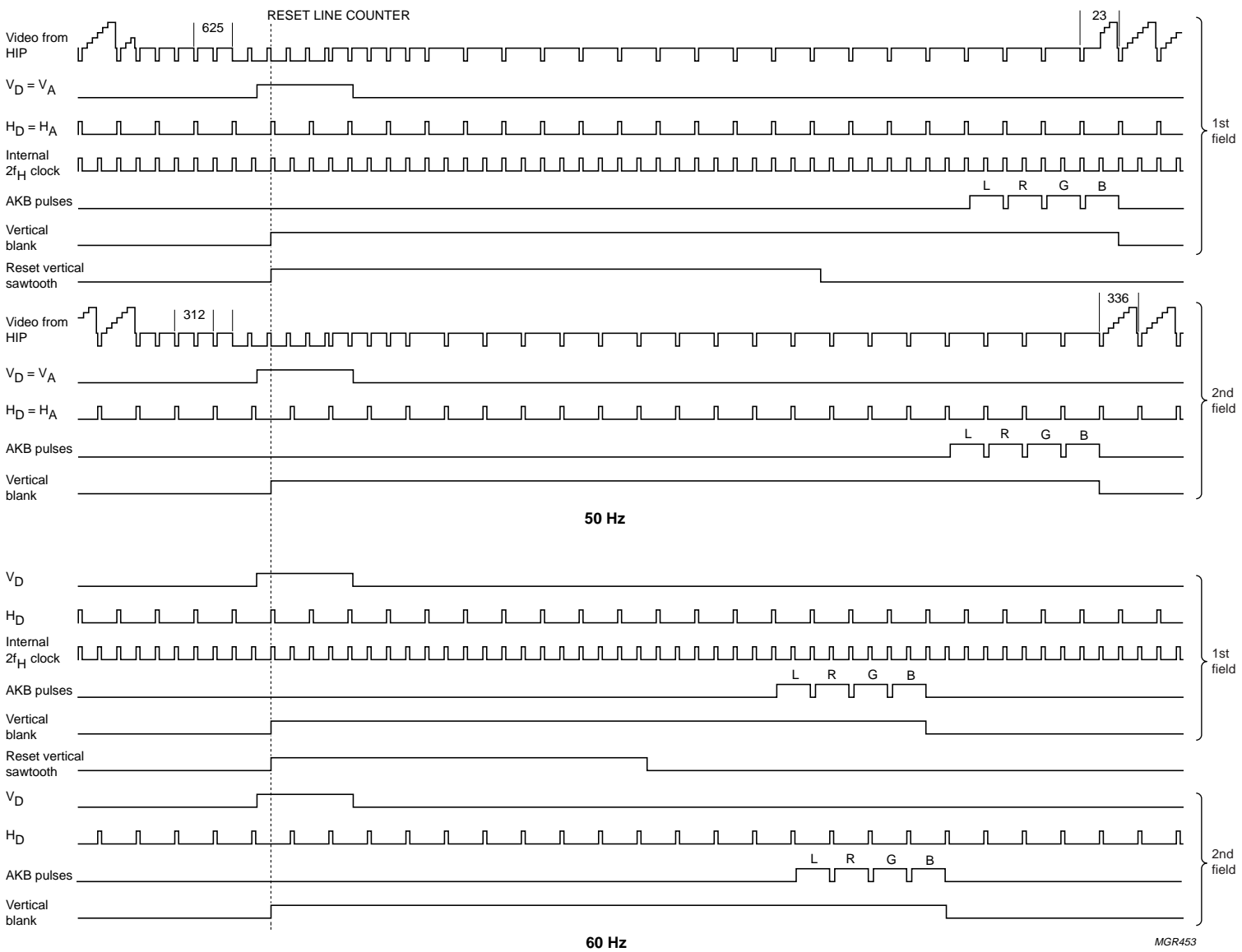


Fig.12 Vertical timing pulses for 1f<sub>H</sub> TV mode.



I<sup>2</sup>C-bus controlled TV display processors

TDA933XH series

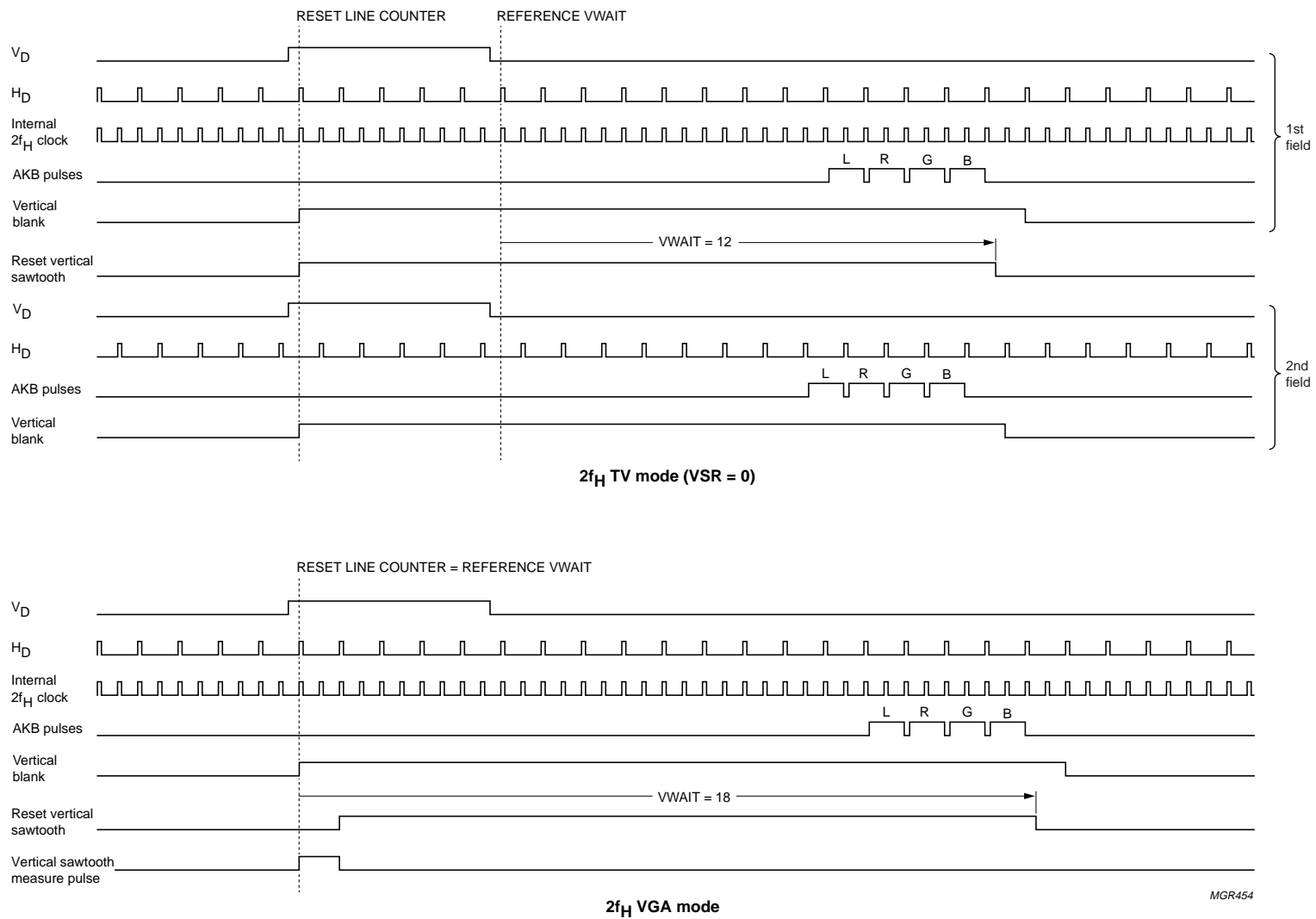


Fig.13 Vertical timing pulses for 2f<sub>H</sub> TV mode and VGA mode.

MGR454

I<sup>2</sup>C-bus controlled TV display processors

TDA933xH series

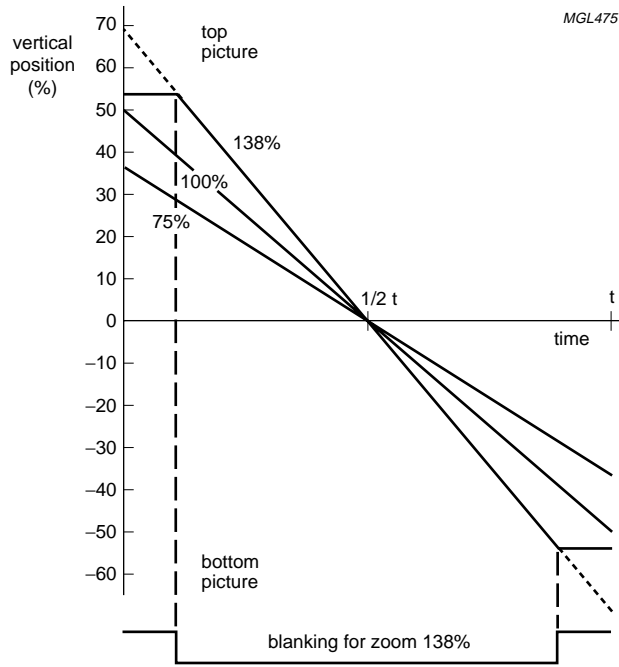


Fig.14 Vertical drive waveform and blanking pulse for different zoom factors.

I<sup>2</sup>C-bus controlled TV display processors

TDA933xH series

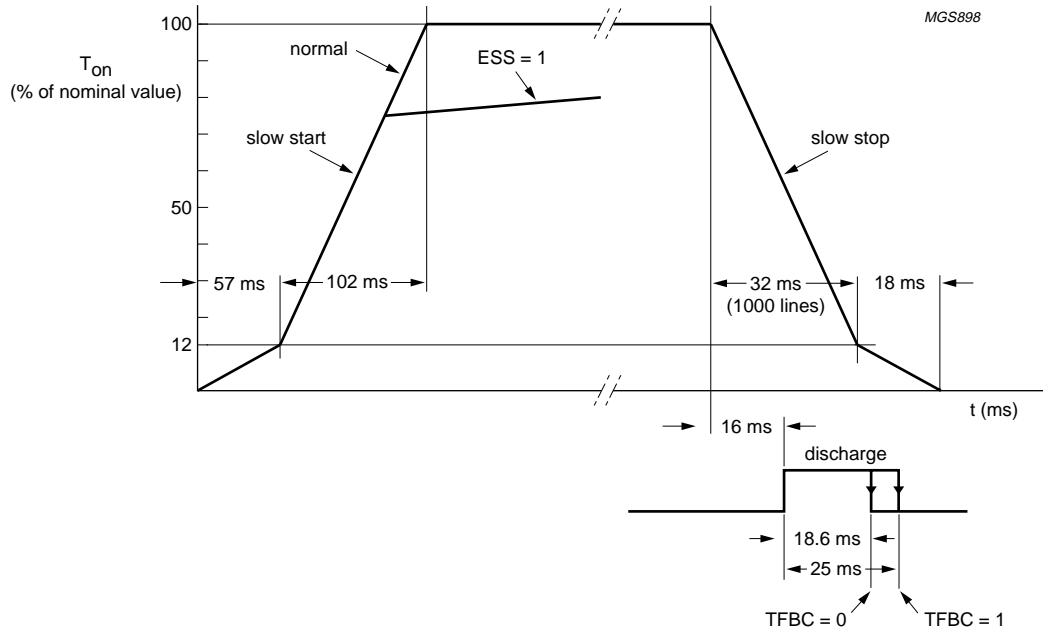


Fig.15 Slow start behaviour of horizontal output, and slow stop behaviour and timing of picture tube discharge pulse when IC is switched to standby via I<sup>2</sup>C-bus.

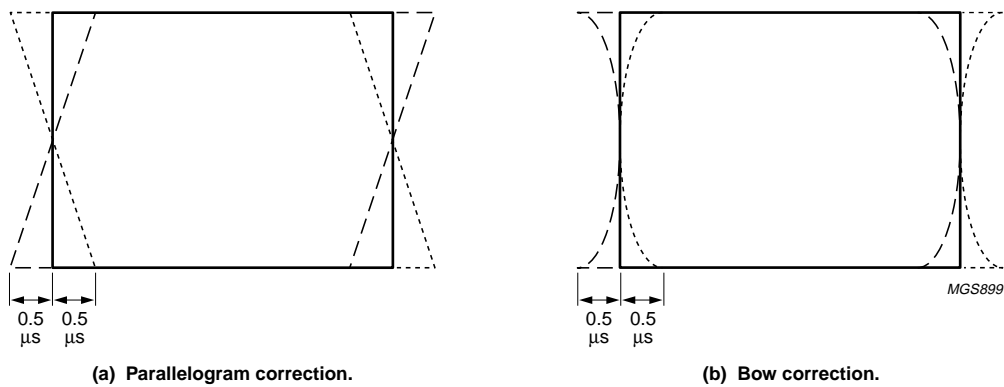
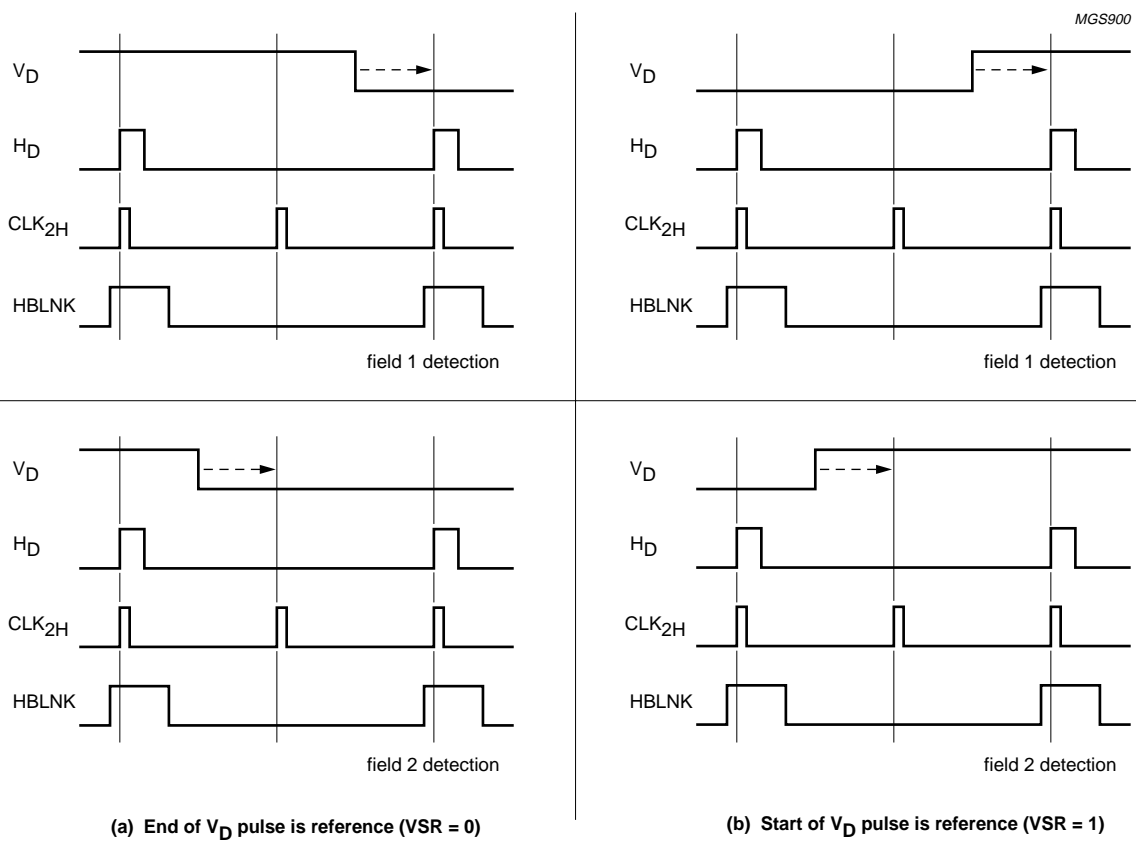


Fig.16 Horizontal parallelogram and bow correction (figures for 1f<sub>H</sub> mode).

I<sup>2</sup>C-bus controlled TV display processors

TDA933xH series



See also Chapter "Characteristics"; note 41.

Fig.17 Field detection mechanism.

I<sup>2</sup>C-bus controlled TV display processors

TDA933xH series

TEST AND APPLICATION INFORMATION

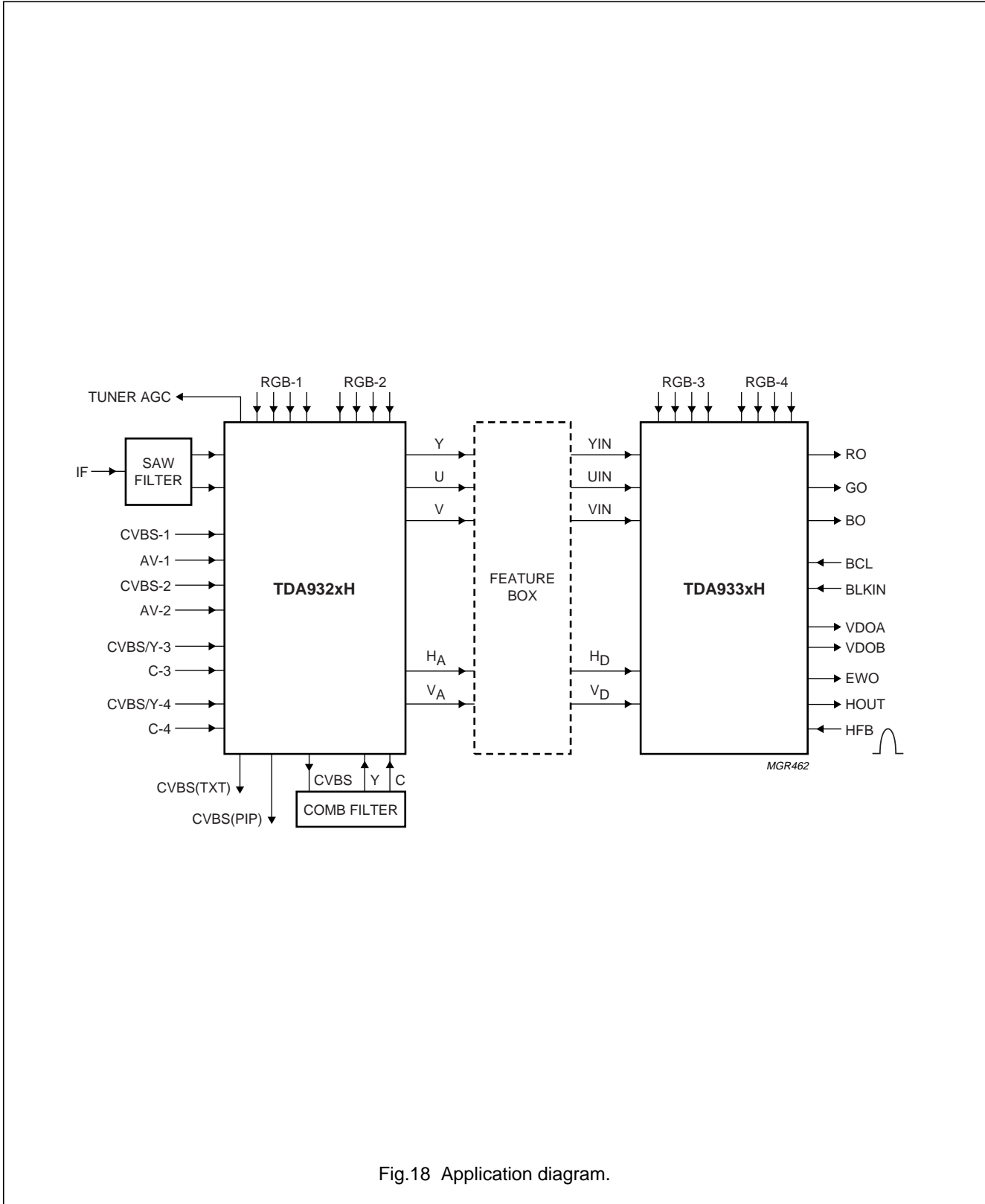
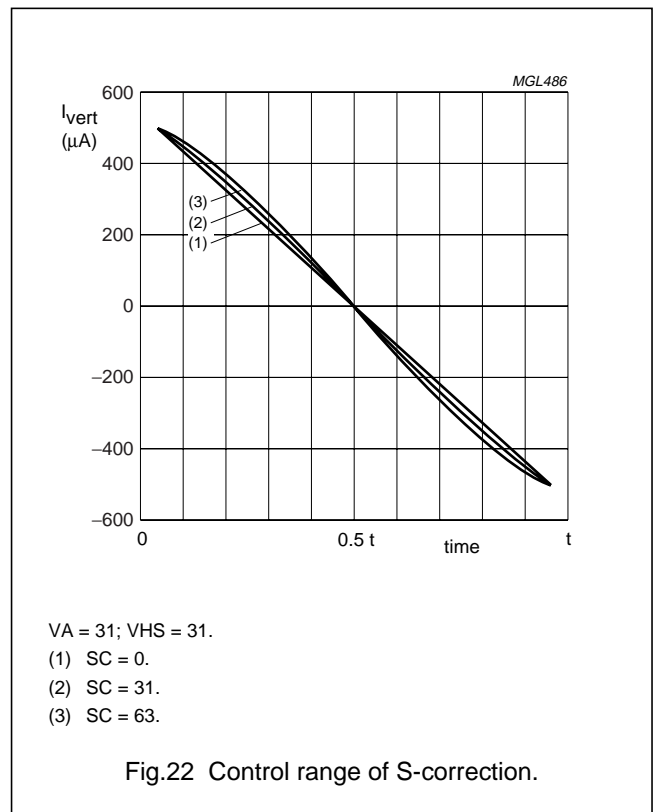
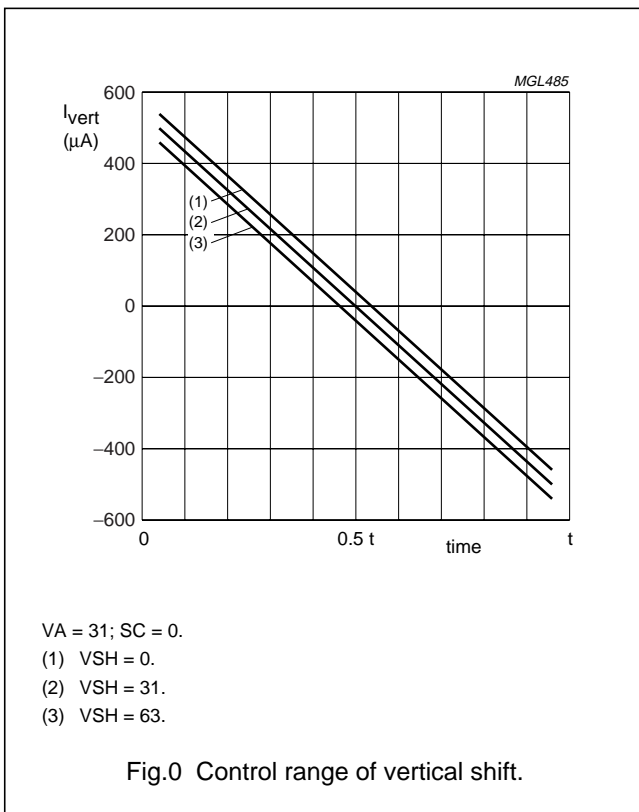
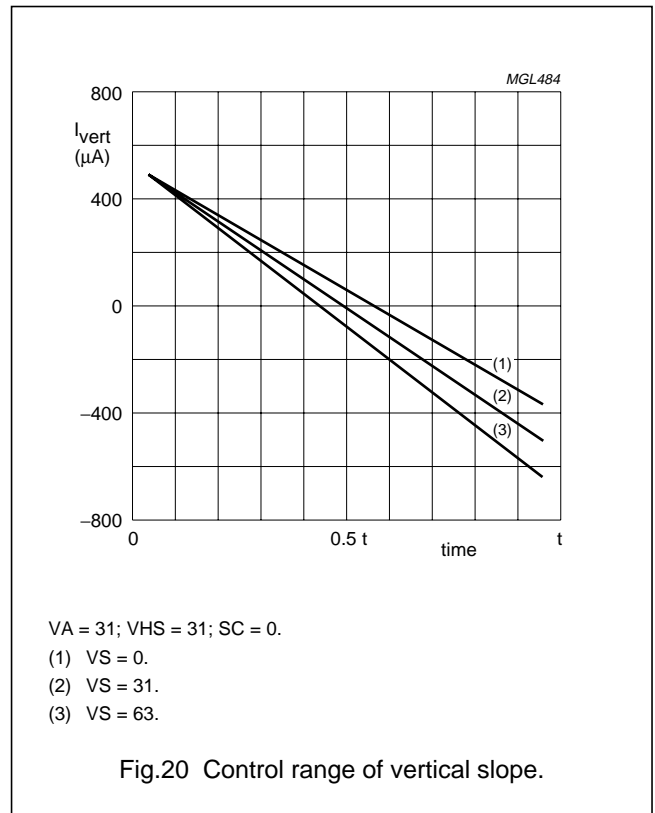
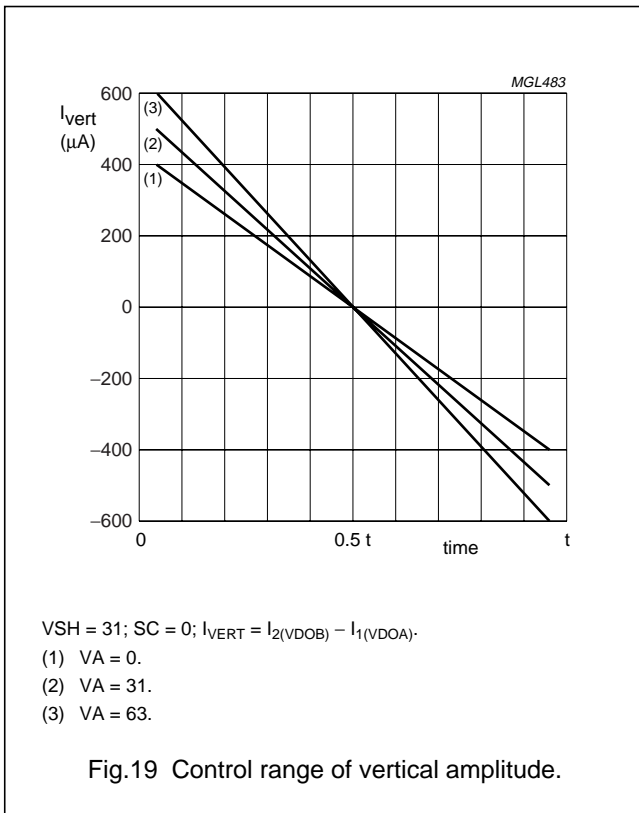


Fig.18 Application diagram.

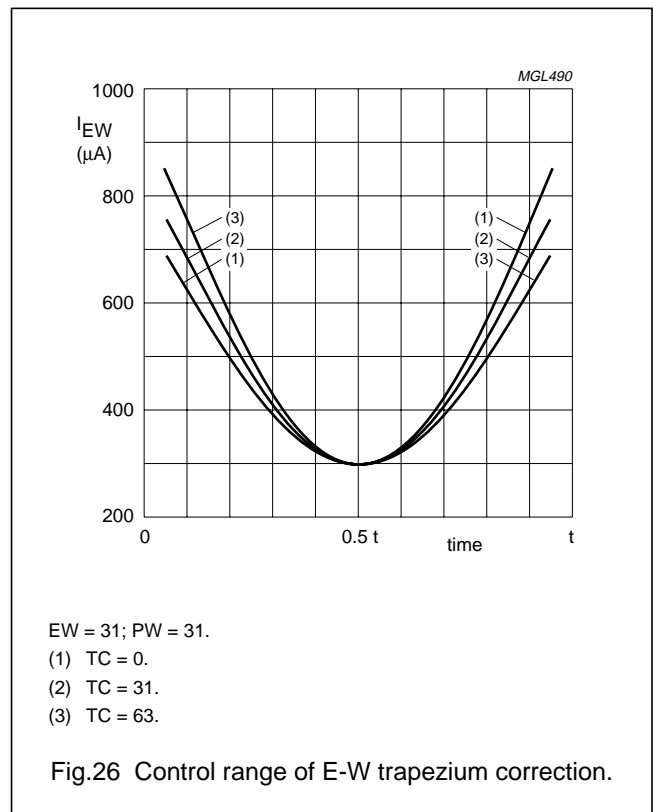
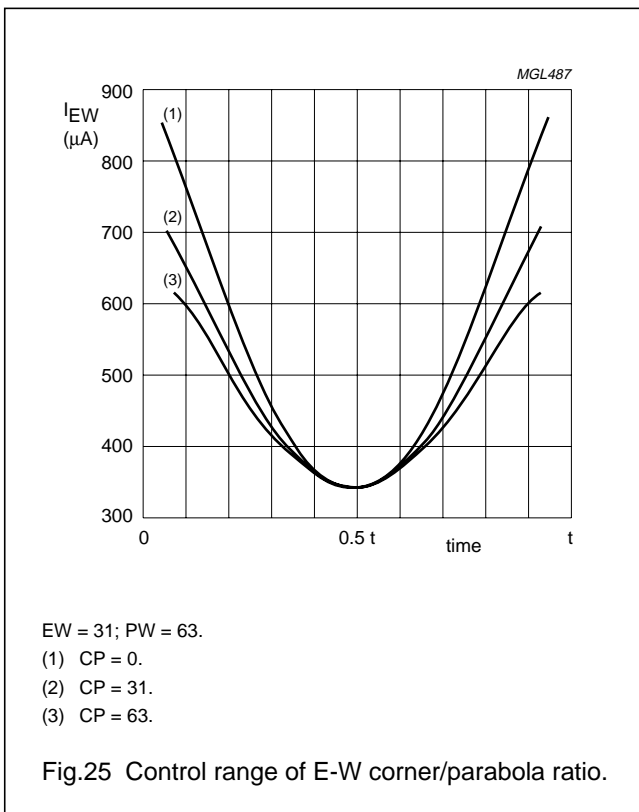
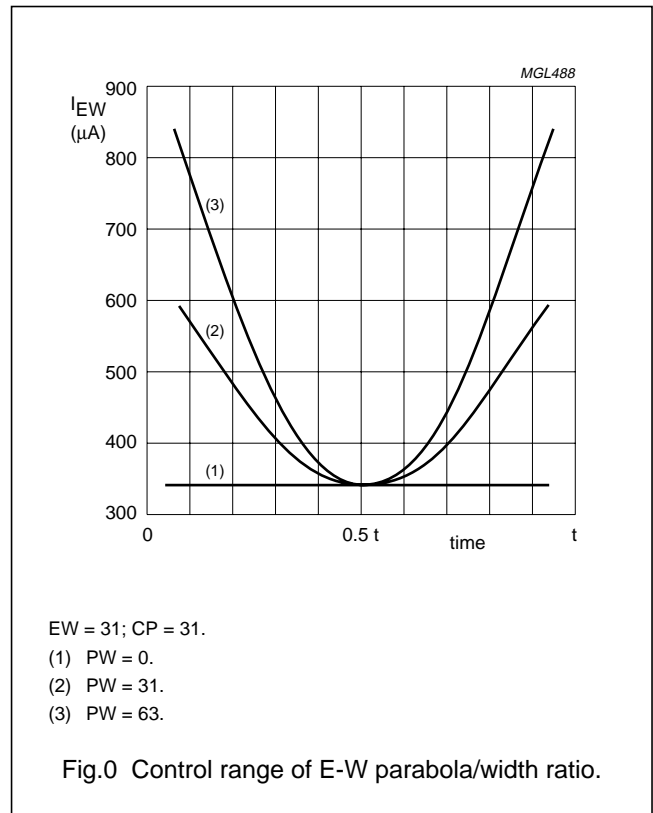
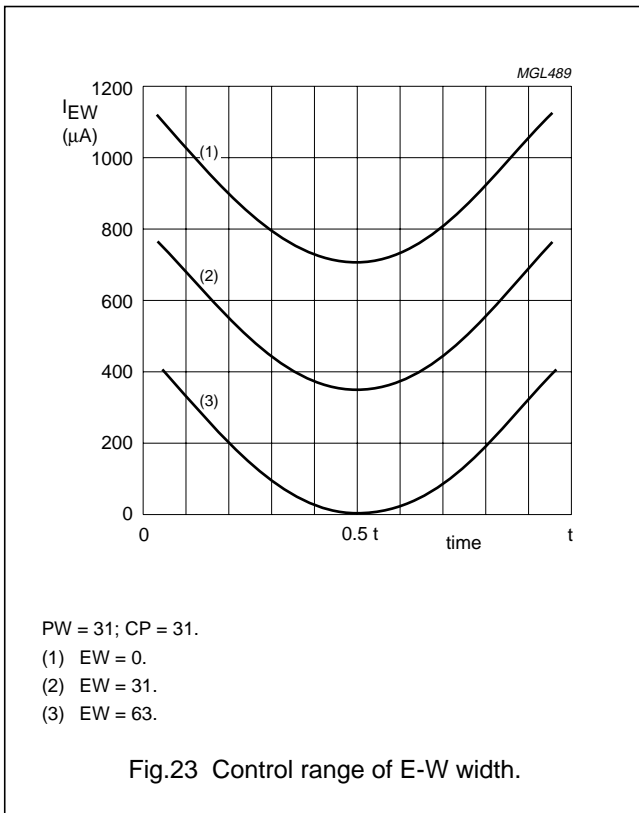
I<sup>2</sup>C-bus controlled TV display processors

TDA933xH series



I<sup>2</sup>C-bus controlled TV display processors

TDA933xH series



## I<sup>2</sup>C-bus controlled TV display processors

## TDA933xH series

### Adjustment of geometry control parameters

The deflection processor of the TDA933xH offers 15 control parameters for picture alignment, as follows:

For the vertical picture alignment;

- S-correction
- Vertical amplitude
- Vertical slope
- Vertical shift
- Vertical zoom
- Vertical scroll
- Vertical wait.

For the horizontal picture alignment;

- Horizontal shift
- Horizontal parallelogram
- Horizontal bow
- E-W width with extended range for the zoom function
- E-W parabola/width ratio
- E-W upper corner/parabola ratio
- E-W lower corner/parabola ratio
- E-W trapezium correction.

It is important to notice that the ICs are designed for use with a DC-coupled vertical deflection stage. This is why a vertical linearity alignment is not necessary (and therefore not available).

For a particular combination of picture tube type, vertical output stage and E-W output stage, the required values for the settings of S-correction and E-W corner/parabola ratio must be determined. These parameters can be preset via the I<sup>2</sup>C-bus and do not need any additional adjustment. The rest of the parameters are preset with the mid-value of their control range, i.e. 1FH, or with the values obtained by previously-adjusted TV sets on the production line.

The vertical shift control is intended to compensate offsets in the external vertical output stage or in the picture tube. It can be shown that, without compensation, these offsets will result in a certain linearity error, especially with picture tubes that need large S-correction. In 1st-order approximation, the total linearity error is proportional to the value of the offset and to the square of the S-correction that is needed. The necessity to use the vertical shift alignment depends on the expected offsets in the vertical output stage and picture tube, on the required value of the S-correction and on the demands upon vertical linearity.

To adjust the vertical shift and vertical slope independently of each other, a special service blanking mode can be entered by setting bit SBL HIGH. In this mode, the RGB outputs are blanked during the second half of the picture. There are two different methods for alignment of the picture in the vertical direction. Both methods use the service blanking mode.

The first method is recommended for picture tubes that have a marking for the middle of the screen. With the vertical shift control, the last line of the visible picture is positioned exactly in the middle of the screen. After this adjustment, the vertical shift should not be changed any more. The top of the picture is positioned by adjusting the vertical amplitude, and the bottom by adjusting the vertical slope.

The second method is recommended for picture tubes that have no marking for the middle of the screen. For this method, a video signal is required in which the middle of the picture is indicated (e.g. the white line in the circle test pattern). The beginning of the blanking is positioned exactly on the middle of the picture using the vertical slope control. The top and bottom of the picture are then positioned symmetrically with respect to the middle of the screen by adjusting the vertical amplitude and vertical shift. After this adjustment, the vertical shift has the correct setting and should not be changed any more.

If the vertical shift alignment is not required, VSH should be set to its mid-value, i.e. VSH = 1FH (31 DEC). The top of the picture is then positioned by adjusting the vertical amplitude and the bottom of the picture by adjusting the vertical slope.

After the vertical picture alignment, the picture is positioned in the horizontal direction by adjusting the E-W width, E-W parabola/width ratio and horizontal shift. Finally (if necessary), the left and right-hand sides of the picture are aligned in parallel by adjusting the E-W trapezium control.

Additional horizontal corrections are possible using the parallelogram and bow controls.

To obtain the correct range of the vertical zoom function, the vertical geometry should be adjusted at a nominal setting of the zoom DAC at position 19H (25 DEC) and the vertical scroll DAC at 1FH (31 DEC).



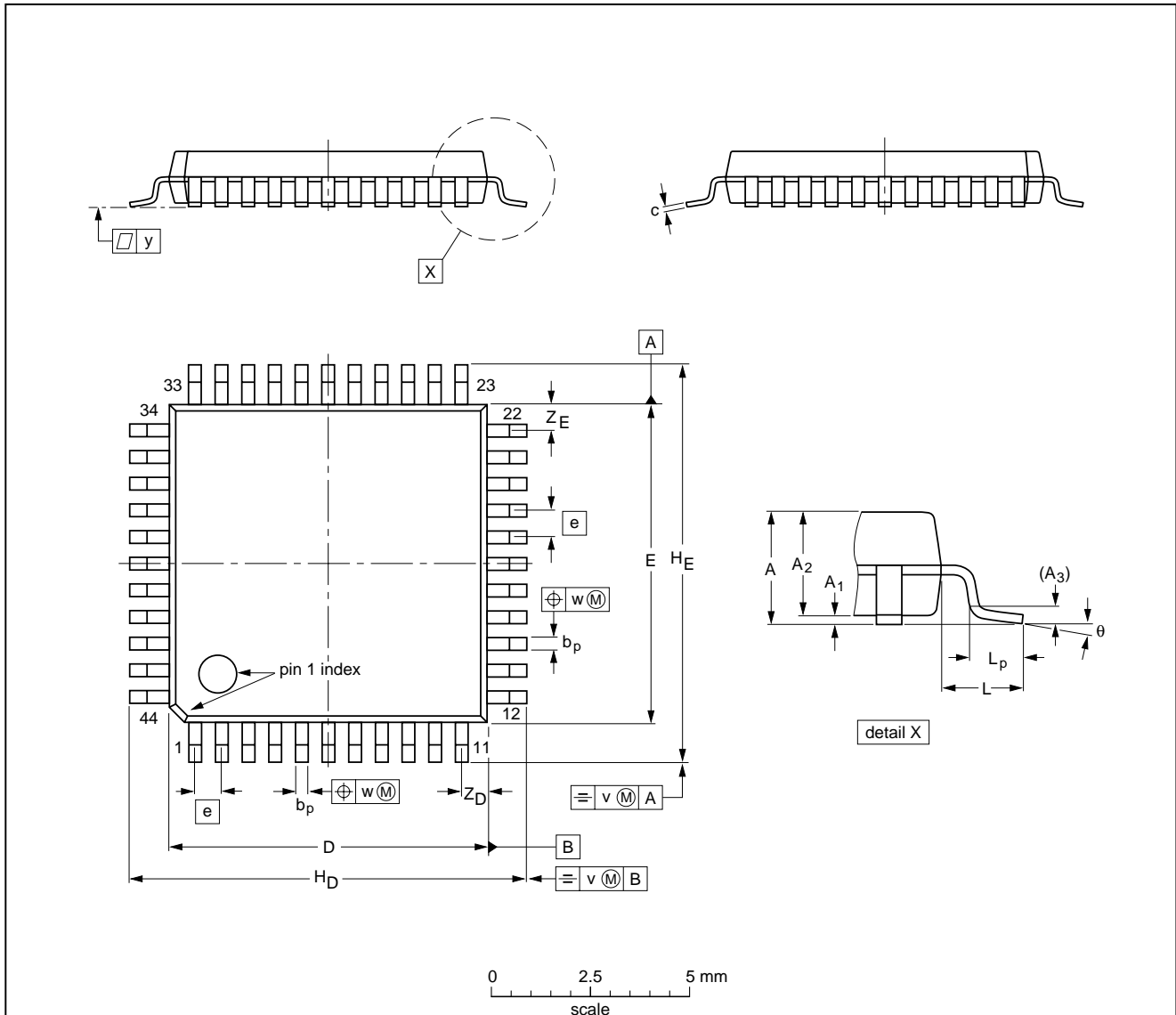
I<sup>2</sup>C-bus controlled TV display processors

TDA933xH series

PACKAGE OUTLINE

QFP44: plastic quad flat package; 44 leads (lead length 1.3 mm); body 10 x 10 x 1.75 mm

SOT307-2



DIMENSIONS (mm are the original dimensions)

| UNIT | A max. | A <sub>1</sub> | A <sub>2</sub> | A <sub>3</sub> | b <sub>p</sub> | c            | D <sup>(1)</sup> | E <sup>(1)</sup> | e   | H <sub>D</sub> | H <sub>E</sub> | L   | L <sub>p</sub> | v    | w    | y   | Z <sub>D</sub> <sup>(1)</sup> | Z <sub>E</sub> <sup>(1)</sup> | θ         |
|------|--------|----------------|----------------|----------------|----------------|--------------|------------------|------------------|-----|----------------|----------------|-----|----------------|------|------|-----|-------------------------------|-------------------------------|-----------|
| mm   | 2.10   | 0.25<br>0.05   | 1.85<br>1.65   | 0.25           | 0.40<br>0.20   | 0.25<br>0.14 | 10.1<br>9.9      | 10.1<br>9.9      | 0.8 | 12.9<br>12.3   | 12.9<br>12.3   | 1.3 | 0.95<br>0.55   | 0.15 | 0.15 | 0.1 | 1.2<br>0.8                    | 1.2<br>0.8                    | 10°<br>0° |

Note  
1. Plastic or metal protrusions of 0.25 mm maximum per side are not included.

| OUTLINE VERSION | REFERENCES |       |      |  | EUROPEAN PROJECTION | ISSUE DATE           |
|-----------------|------------|-------|------|--|---------------------|----------------------|
|                 | IEC        | JEDEC | EIAJ |  |                     |                      |
| SOT307-2        |            |       |      |  |                     | 95-02-04<br>97-08-01 |

I<sup>2</sup>C-bus controlled TV display processors

## TDA933xH series

**SOLDERING****Introduction to soldering surface mount packages**

This text gives a very brief insight to a complex technology. A more in-depth account of soldering ICs can be found in our "Data Handbook IC26; Integrated Circuit Packages" (document order number 9398 652 90011).

There is no soldering method that is ideal for all surface mount IC packages. Wave soldering is not always suitable for surface mount ICs, or for printed-circuit boards with high population densities. In these situations reflow soldering is often used.

**Reflow soldering**

Reflow soldering requires solder paste (a suspension of fine solder particles, flux and binding agent) to be applied to the printed-circuit board by screen printing, stencilling or pressure-syringe dispensing before package placement.

Several methods exist for reflowing; for example, infrared/convection heating in a conveyor type oven. Throughput times (preheating, soldering and cooling) vary between 100 and 200 seconds depending on heating method.

Typical reflow peak temperatures range from 215 to 250 °C. The top-surface temperature of the packages should preferably be kept below 230 °C.

**Wave soldering**

Conventional single wave soldering is not recommended for surface mount devices (SMDs) or printed-circuit boards with a high component density, as solder bridging and non-wetting can present major problems.

To overcome these problems the double-wave soldering method was specifically developed.

If wave soldering is used the following conditions must be observed for optimal results:

- Use a double-wave soldering method comprising a turbulent wave with high upward pressure followed by a smooth laminar wave.
- For packages with leads on two sides and a pitch (e):
  - larger than or equal to 1.27 mm, the footprint longitudinal axis is **preferred** to be parallel to the transport direction of the printed-circuit board;
  - smaller than 1.27 mm, the footprint longitudinal axis **must** be parallel to the transport direction of the printed-circuit board.

The footprint must incorporate solder thieves at the downstream end.

- For packages with leads on four sides, the footprint must be placed at a 45° angle to the transport direction of the printed-circuit board. The footprint must incorporate solder thieves downstream and at the side corners.

During placement and before soldering, the package must be fixed with a droplet of adhesive. The adhesive can be applied by screen printing, pin transfer or syringe dispensing. The package can be soldered after the adhesive is cured.

Typical dwell time is 4 seconds at 250 °C.

A mildly-activated flux will eliminate the need for removal of corrosive residues in most applications.

**Manual soldering**

Fix the component by first soldering two diagonally-opposite end leads. Use a low voltage (24 V or less) soldering iron applied to the flat part of the lead. Contact time must be limited to 10 seconds at up to 300 °C.

When using a dedicated tool, all other leads can be soldered in one operation within 2 to 5 seconds between 270 and 320 °C.

I<sup>2</sup>C-bus controlled TV display processors

## TDA933xH series

## Suitability of surface mount IC packages for wave and reflow soldering methods

| PACKAGE                                      | SOLDERING METHOD                  |                       |
|--|-----------------------------------|-----------------------|
|  | WAVE                              | REFLOW <sup>(1)</sup> |
| BGA, LFBGA, SQFP, TFBGA                      | not suitable                      | suitable              |
| HBCC, HLQFP, HSQFP, HSOP, HTQFP, HTSSOP, SMS | not suitable <sup>(2)</sup>       | suitable              |
| PLCC <sup>(3)</sup> , SO, SOJ                | suitable                          | suitable              |
| LQFP, QFP, TQFP                              | not recommended <sup>(3)(4)</sup> | suitable              |
| SSOP, TSSOP, VSO                             | not recommended <sup>(5)</sup>    | suitable              |

## Notes

- All surface mount (SMD) packages are moisture sensitive. Depending upon the moisture content, the maximum temperature (with respect to time) and body size of the package, there is a risk that internal or external package cracks may occur due to vaporization of the moisture in them (the so called popcorn effect). For details, refer to the Drypack information in the "Data Handbook IC26; Integrated Circuit Packages; Section: Packing Methods".
- These packages are not suitable for wave soldering as a solder joint between the printed-circuit board and heatsink (at bottom version) can not be achieved, and as solder may stick to the heatsink (on top version).
- If wave soldering is considered, then the package must be placed at a 45° angle to the solder wave direction. The package footprint must incorporate solder thieves downstream and at the side corners.
- Wave soldering is only suitable for LQFP, TQFP and QFP packages with a pitch (e) equal to or larger than 0.8 mm; it is definitely not suitable for packages with a pitch (e) equal to or smaller than 0.65 mm.
- Wave soldering is only suitable for SSOP and TSSOP packages with a pitch (e) equal to or larger than 0.65 mm; it is definitely not suitable for packages with a pitch (e) equal to or smaller than 0.5 mm.

## DATA SHEET STATUS

| DATA SHEET STATUS <sup>(1)</sup> | PRODUCT STATUS <sup>(2)</sup> | DEFINITIONS  |
|----------------------------------|-------------------------------|--|
| Objective data                   | Development                   | This data sheet contains data from the objective specification for product development. Philips Semiconductors reserves the right to change the specification in any manner without notice.  |
| Preliminary data                 | Qualification                 | This data sheet contains data from the preliminary specification. Supplementary data will be published at a later date. Philips Semiconductors reserves the right to change the specification without notice, in order to improve the design and supply the best possible product.                                     |
| Product data                     | Production                    | This data sheet contains data from the product specification. Philips Semiconductors reserves the right to make changes at any time in order to improve the design, manufacturing and supply. Changes will be communicated according to the Customer Product/Process Change Notification (CPCN) procedure SNW-SQ-650A. |

## Notes

- Please consult the most recently issued data sheet before initiating or completing a design.
- The product status of the device(s) described in this data sheet may have changed since this data sheet was published. The latest information is available on the Internet at URL <http://www.semiconductors.philips.com>.

## I<sup>2</sup>C-bus controlled TV display processors

## TDA933xH series

### DEFINITIONS

**Short-form specification** — The data in a short-form specification is extracted from a full data sheet with the same type number and title. For detailed information see the relevant data sheet or data handbook.

**Limiting values definition** — Limiting values given are in accordance with the Absolute Maximum Rating System (IEC 60134). Stress above one or more of the limiting values may cause permanent damage to the device. These are stress ratings only and operation of the device at these or at any other conditions above those given in the Characteristics sections of the specification is not implied. Exposure to limiting values for extended periods may affect device reliability.

**Application information** — Applications that are described herein for any of these products are for illustrative purposes only. Philips Semiconductors make no representation or warranty that such applications will be suitable for the specified use without further testing or modification.

### DISCLAIMERS

**Life support applications** — These products are not designed for use in life support appliances, devices, or systems where malfunction of these products can reasonably be expected to result in personal injury. Philips Semiconductors customers using or selling these products for use in such applications do so at their own risk and agree to fully indemnify Philips Semiconductors for any damages resulting from such application.

**Right to make changes** — Philips Semiconductors reserves the right to make changes, without notice, in the products, including circuits, standard cells, and/or software, described or contained herein in order to improve design and/or performance. Philips Semiconductors assumes no responsibility or liability for the use of any of these products, conveys no licence or title under any patent, copyright, or mask work right to these products, and makes no representations or warranties that these products are free from patent, copyright, or mask work right infringement, unless otherwise specified.

### PURCHASE OF PHILIPS I<sup>2</sup>C COMPONENTS



Purchase of Philips I<sup>2</sup>C components conveys a license under the Philips' I<sup>2</sup>C patent to use the components in the I<sup>2</sup>C system provided the system conforms to the I<sup>2</sup>C specification defined by Philips. This specification can be ordered using the code 9398 393 40011.

I<sup>2</sup>C-bus controlled TV display processors

TDA933xH series

---

**NOTES**

I<sup>2</sup>C-bus controlled TV display processors

TDA933xH series

---

**NOTES**

I<sup>2</sup>C-bus controlled TV display processors

TDA933xH series

---

**NOTES**

# ***Philips Semiconductors – a worldwide company***

## **Contact information**

For additional information please visit <http://www.semiconductors.philips.com>. Fax: +31 40 27 24825

For sales offices addresses send e-mail to: [sales.addresses@www.semiconductors.philips.com](mailto:sales.addresses@www.semiconductors.philips.com).

© Koninklijke Philips Electronics N.V. 2002

SCA74

All rights are reserved. Reproduction in whole or in part is prohibited without the prior written consent of the copyright owner.

The information presented in this document does not form part of any quotation or contract, is believed to be accurate and reliable and may be changed without notice. No liability will be accepted by the publisher for any consequence of its use. Publication thereof does not convey nor imply any license under patent- or other industrial or intellectual property rights.

Printed in The Netherlands

753504/03/pp56

Date of release: 2002 Jun 04

Document order number: 9397 750 09383

*Let's make things better.*

**Philips  
Semiconductors**



**PHILIPS**