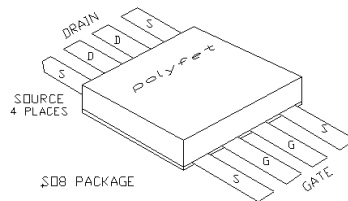




**General Description**

Silicon VDMOS and LDMOS transistors designed specifically for broadband RF applications. Suitable for Military Radios, Cellular and Paging Amplifier Base Stations, Broadcast FM/AM, MRI, Laser Driver and others.

"Polyfet"<sup>TM</sup> process features gold metal for greatly extended lifetime. Low output capacitance and high  $F_t$  enhance broadband performance



**PATENTED GOLD METALIZED SILICON GATE ENHANCEMENT MODE RF POWER VDMOS TRANSISTOR**

**2.5 Watts Single Ended**

**Package Style SO8**

**HIGH EFFICIENCY, LINEAR, HIGH GAIN, LOW NOISE**

**ABSOLUTE MAXIMUM RATINGS (TC = 25 °C)**

Total Device Dissipation	Junction to Case Thermal Resistance	Maximum Junction Temperature	Storage Temperature	DC Drain Current	Drain to Gate Voltage	Drain to Source Voltage	Gate to Source Voltage
10 Watts	15 °C/W	200 °C	-65 °C to 150 °C	0.8 A	70 V	70V	30V

**RF CHARACTERISTICS ( 2.5WATTS OUTPUT )**

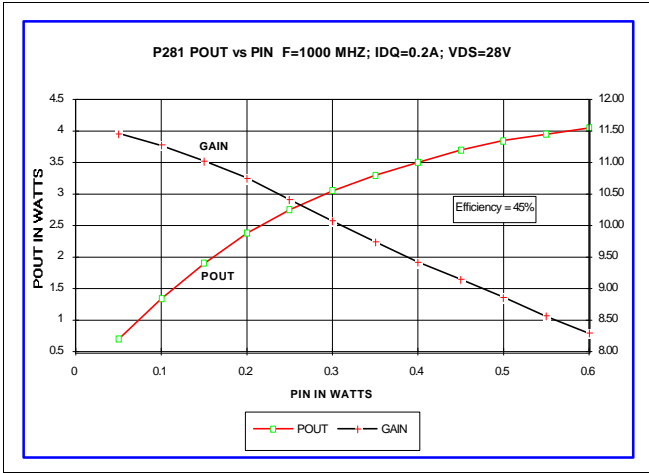
SYMBOL	PARAMETER	MIN	TYP	MAX	UNITS	TEST CONDITIONS
Gps	Common Source Power Gain	10			dB	$I_{dq} = 0.2 \text{ A}$ , $V_{ds} = 28.0 \text{ V}$ , $F = 1000 \text{ MHz}$
$\eta$	Drain Efficiency		45		%	$I_{dq} = 0.2 \text{ A}$ , $V_{ds} = 28.0 \text{ V}$ , $F = 1000 \text{ MHz}$
VSWR	Load Mismatch Tolerance			20:1	Relative	$I_{dq} = 0.2 \text{ A}$ , $V_{ds} = 28.0 \text{ V}$ , $F = 1000 \text{ MHz}$

**ELECTRICAL CHARACTERISTICS (EACH SIDE)**

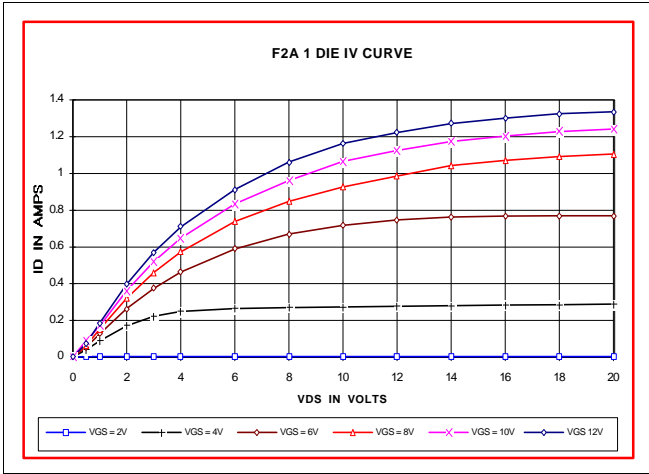
SYMBOL	PARAMETER	MIN	TYP	MAX	UNITS	TEST CONDITIONS
Bvdss	Drain Breakdown Voltage	65			V	$I_{ds} = 0.01 \text{ A}$ , $V_{gs} = 0 \text{ V}$
$I_{dss}$	Zero Bias Drain Current			0.2	mA	$V_{ds} = 28.0 \text{ V}$ , $V_{gs} = 0 \text{ V}$
$I_{gss}$	Gate Leakage Current			1	uA	$V_{ds} = 0 \text{ V}$ , $V_{gs} = 30 \text{ V}$
$V_{gs}$	Gate Bias for Drain Current	1		7	V	$I_{ds} = 0.02 \text{ A}$ , $V_{gs} = V_{ds}$
gM	Forward Transconductance		0.2		Mho	$V_{ds} = 10 \text{ V}$ , $V_{gs} = 5 \text{ V}$
Rdson	Saturation Resistance		3.5		Ohm	$V_{gs} = 20 \text{ V}$ , $I_{ds} = 1 \text{ A}$
$I_{dsat}$	Saturation Current		1.2		Amp	$V_{gs} = 20 \text{ V}$ , $V_{ds} = 10 \text{ V}$
Ciss	Common Source Input Capacitance		9		pF	$V_{ds} = 28.0 \text{ V}$ , $V_{gs} = 0 \text{ V}$ , $F = 1 \text{ MHz}$
Crss	Common Source Feedback Capacitance		1		pF	$V_{ds} = 28.0 \text{ V}$ , $V_{gs} = 0 \text{ V}$ , $F = 1 \text{ MHz}$
Coss	Common Source Output Capacitance		6		pF	$V_{ds} = 28.0 \text{ V}$ , $V_{gs} = 0 \text{ V}$ , $F = 1 \text{ MHz}$

# P281

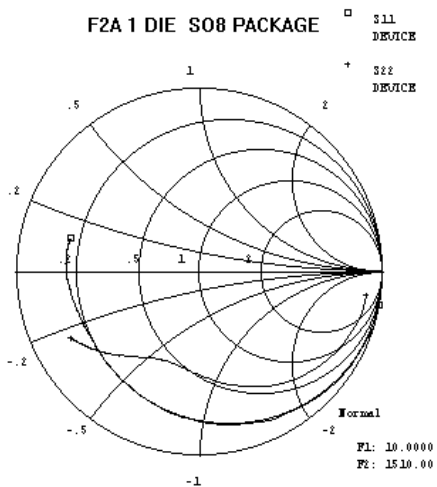
POUT VS PIN GRAPH



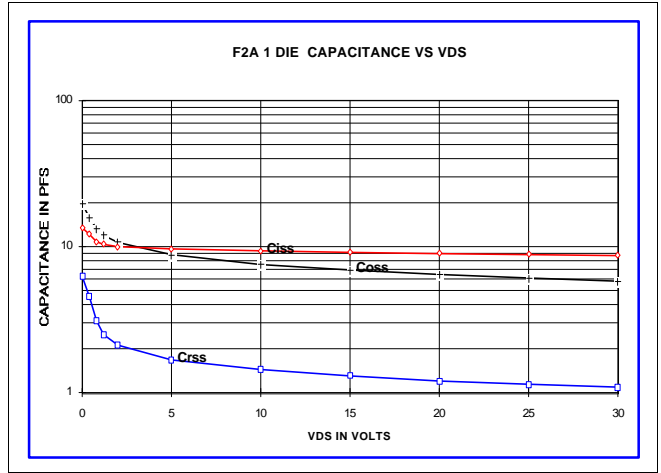
IV CURVE



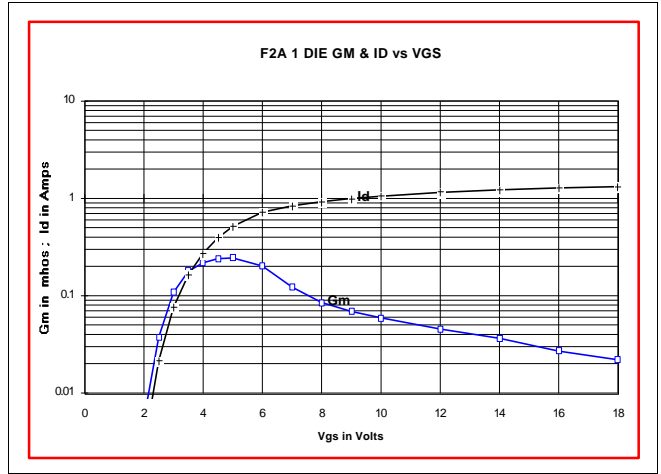
S11 AND S22 SMITH CHART



CAPACITANCE VS VOLTAGE



ID AND GM VS VGS



PACKAGE DIMENSIONS IN INCHES

