

**Preliminary Product Bulletin**

**OVERVIEW**

The SM5816AF is a 6-channel DSD data to 6-channel 8fs or 2fs PCM data converter IC. During conversion, decimation filtering is performed using a filter with selectable fixed coefficients (4 sets) or optional filter coefficients that are written to the built-in RAM. Also, DSD input/outputs and PCM outputs are available for use in master/slave mode operation, in a wide range of system configurations, making it easy to construct a multi-channel DSD/PCM reproduction system.

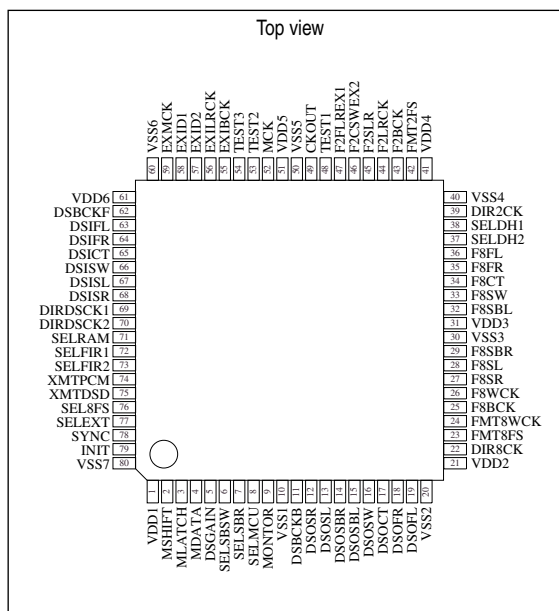
**FEATURES**

- 512fs master clock (22.5792MHz, fs = 44.1kHz)
- DSD inputs connected directly to outputs in through mode
- Clock master/slave switching for DSD input/outputs and PCM outputs
- 2-system external data inputs (3-wire), with 2fs output data BCK and LRCK pins switchable between external inputs and internal filter outputs
- Decimation filter characteristics
  - Fixed coefficients: 4 sets (8fs), 1 set (2fs)
  - Writable coefficients: 1 set
- Dither rounding function in 8fs/24-bit output mode only, with switchable ON/OFF and summing position
- Mute operation
- 8fs output format: [MSB-first left-justified 32-bit] or [MSB-first right-justified 24-bit]
- 2fs output format: [MSB-first left-justified 32-bit] or [IIS 32-bit]
- +6dB DSD gain switching function
- System clock output switchable between external system clock and internal system clock
- 3.3V ± 10% supply voltage
- 5V tolerant inputs for direct connection to 5V logic inputs
- -20 to 70°C operating temperature range
- 80-pin QFP package

**APPLICATIONS**

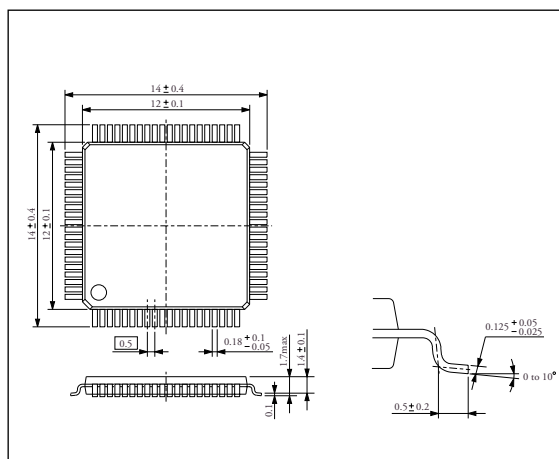
- Multi-channel SACD players
- SACD-compatible AV amplifiers

**PINOUT**



**PACKAGE DIMENSIONS**

(Unit: mm)

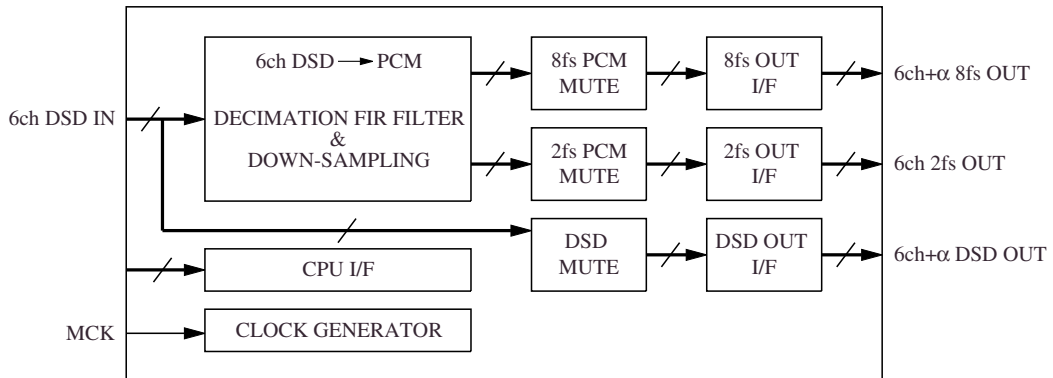


## PIN DESCRIPTION

No.	Name	I/O	Description
1	VDD1	–	Supply pin 1
2	MSHIFT	I	Serial control shift clock
3	MLATCH	I	Serial control latch clock
4	MDATA	I	Serial control command data
5	DSGAIN	I	DSD signal gain set
6	SELSBSW	I	DSD-SW input to DSD 8fs-SW/(SBL, SBR) output select
7	SELSBR	I	DSD 8fs-(SBL, SBR) output select
8	SELMCU	I	Control method select
9	MONITOR	O	Parameter change monitor output
10	VSS1	–	Ground pin 1
11	DSBCKB	I/O	DSD through-mode data output: bit clock
12	DSOSR	O	DSD through-mode data output: surround right-channel
13	DSOSL	O	DSD through-mode data output: surround left-channel
14	DSOSBR	O	DSD through-mode data output: surround back right-channel
15	DSOSBL	O	DSD through-mode data output: surround back left-channel
16	DSOSW	O	DSD through-mode data output: subwoofer-channel
17	DSOCT	O	DSD through-mode data output: center-channel
18	DSOFR	O	DSD through-mode data output: front right-channel
19	DSOFL	O	DSD through-mode data output: front left-channel
20	VSS2	–	Ground pin 2
21	VDD2	–	Supply pin 2
22	DIR8CK	I	8fs output F8BCK, F8WCK I/O select
23	FMT8FS	I	8fs PCM format (MSB first)
24	FMT8WCK	I	8fs PCM WCK format
25	F8BCK	I/O	8fs PCM BCK (bit clock)
26	F8WCK	I/O	8fs PCM WCK (word clock)
27	F8SR	O	8fs PCM data output: surround right-channel
28	F8SL	O	8fs PCM data output: surround left-channel
29	F8SBR	O	8fs PCM data output: surround back right-channel
30	VSS3	–	Ground pin 3
31	VDD3	–	Supply pin 3
32	F8SBL	O	8fs PCM data output: surround back left-channel
33	F8SW	O	8fs PCM data output: subwoofer-channel
34	F8CT	O	8fs PCM data output: center-channel
35	F8FR	O	8fs PCM data output: front right-channel
36	F8FL	O	8fs PCM data output: front left-channel
37	SELDH2	I	Output dither rounding ON/OFF and summing position select
38	SELDH1	I	

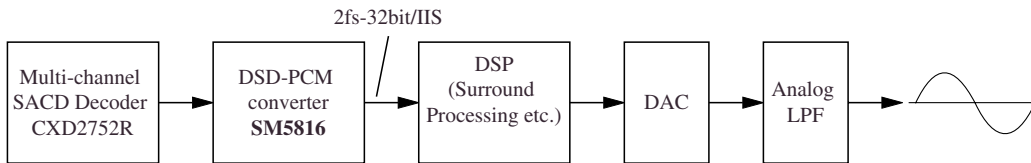
No.	Name	I/O	Description
39	DIR2CK	I	2fs output F2BCK, F2LRCK I/O select
40	VSS4	–	Ground pin 4
41	VDD4	–	Supply pin 4
42	FMT2FS	I	2fs PCM format
43	F2BCK	I/O	2fs or external data BCK
44	F2LRCK	I/O	2fs or external data LRCK
45	F2SLR	O	2fs PCM data output: surround left/right-channel
46	F2CSWEX2	O	2fs PCM data output: center/subwoofer-channel or external data 2 output
47	F2FLREX1	O	2fs PCM data output: front left/right-channel or external data 1 output
48	TEST1	I	Test pin 1
49	CKOUT	O	System clock output
50	VSS5	–	Ground pin 5
51	VDD5	–	Supply pin 5
52	MCK	I	Master clock input: 512fs
53	TEST2	I	Test pin 2
54	TEST3	I	Test pin 3
55	EXIBCK	I	External PCM data BCK input
56	EXILRCK	I	External PCM data LRCK input
57	EXID2	I	External PCM data input 2
58	EXID1	I	External PCM data input 1
59	EXMCK	I	External system clock input
60	VSS6	–	Ground pin 6
61	VDD6	–	Supply pin 6
62	DSBCKF	I/O	DSD data input bit clock
63	DSIFL	I	DSD data input: front left-channel
64	DSIFR	I	DSD data input: front right-channel
65	DSICT	I	DSD data input: center-channel
66	DSISW	I	DSD data input: subwoofer-channel
67	DSISL	I	DSD data input: surround left-channel
68	DSISR	I	DSD data input: surround right-channel
69	DIRDSC1	I	DSBCKF I/O select
70	DIRDSC2	I	DSBCKB I/O select
71	SELRAM	I	FIR coefficient ROM/RAM select
72	SELFIR1	I	FIR coefficient (ROM) select
73	SELFIR2	I	
74	XMTPCM	I	PCM output mute control input
75	XMTDSD	I	DSD output mute control input
76	SEL8FS	I	PCM output rate select
77	SELEXT	I	2fs output/external data output select
78	SYNC	I	Forced sync pint
79	INIT	I	Initialization control pin
80	VSS7	–	Ground pin 7

**BLOCK DIAGRAM**

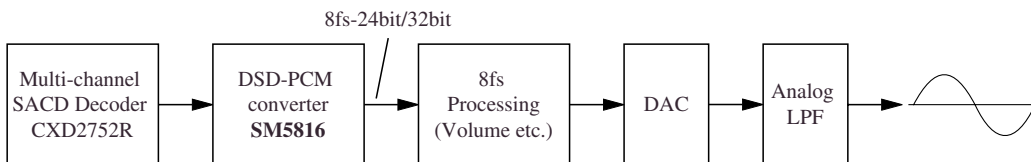


**TYPICAL APPLICATION CIRCUITS**

**Surround Processor**



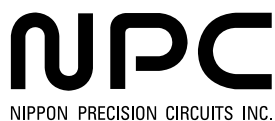
**DSD-to-PCM Conversion Reproduction**



**NPC DSD-Related Products**

- SM5866AS: DSD/PCM-compatible multi-level D/A converter

NIPPON PRECISION CIRCUITS INC. reserves the right to make changes to the products described in this data sheet in order to improve the design or performance and to supply the best possible products. Nippon Precision Circuits Inc. assumes no responsibility for the use of any circuits shown in this data sheet, conveys no license under any patent or other rights, and makes no claim that the circuits are free from patent infringement. Applications for any devices shown in this data sheet are for illustration only and Nippon Precision Circuits Inc. makes no claim or warranty that such applications will be suitable for the use specified without further testing or modification. The products described in this data sheet are not intended to use for the apparatus which influence human lives due to the failure or malfunction of the products. Customers are requested to comply with applicable laws and regulations in effect now and hereinafter, including compliance with export controls on the distribution or dissemination of the products. Customers shall not export, directly or indirectly, any products without first obtaining required licenses and approvals from appropriate government agencies.



NIPPON PRECISION CIRCUITS INC.

4-3, Fukuzumi 2-chome, Koto-ku,  
Tokyo 135-8430, Japan  
Telephone: +81-3-3642-6661  
Facsimile: +81-3-3642-6698  
<http://www.npc.co.jp/>  
Email: [sales@npc.co.jp](mailto:sales@npc.co.jp)

NP0108AE 2001.08