

M62221L/FP

3.0V FIXED OUTPUT VOLTAGE DC-DC CONVERTER

GENERAL DESCRIPTION

The M62221 is a general purpose DC-DC converter which provides a 3.0V fixed output voltage.

It is possible to simplify the peripheral circuit and to design compact and low cost sets because this IC, housed in a small 5- or 8-pin package includes necessary peripheral components.

Especially this is most suitable for CD-ROM, Disk Drive sets and PDA as a converter from 5V to 3.0V .

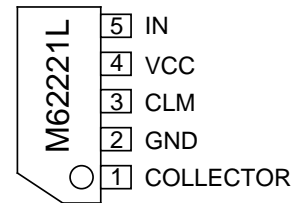
FEATURES

- Wide operation supply voltage range 4 to 15 V
- Low power consumption 900 μ A(max.)
- Built-in oscillator without external components (110kHz typ.)
- Built-in over current protection circuit
- Small size 5-pin SIP and 8-pin SOP packages

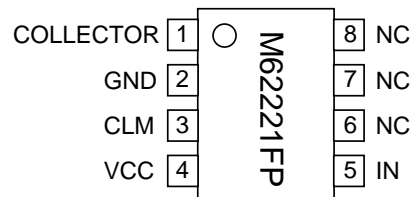
APPLICATIONS

CD-ROM, PDA, general purpose electric products

PIN CONFIGURATION (TOP VIEW)



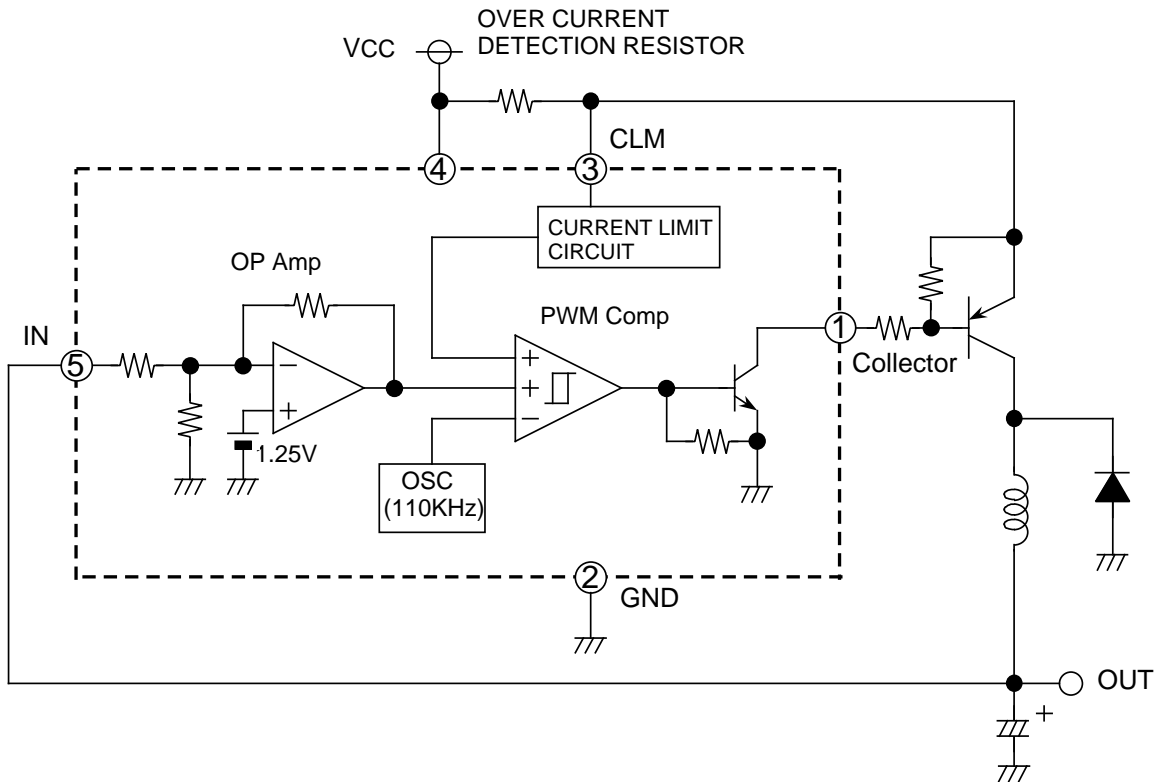
Outline 5P5T



Outline 8P2S-A

NC: NO CONNECTION

BLOCK DIAGRAM



M62221L/FP

3.0V FIXED OUTPUT VOLTAGE DC-DC CONVERTER

ABSOLUTE MAXIMUM RATINGS (Ta=25°C, unless otherwise noted)

Symbol	Parameter	Conditions		Ratings	Unit
Vcc	Supply voltage			16	V
Io	Output current			100	mA
Pd	Power dissipation	Ta=25°C	5-pin SIP	450	mW
			8-pin SOP	440	mW
K _{THETA}	Thermal derating	Ta>25°C	5-pin SIP	4.5	mW/ °C
			8-pin SOP	4.4	mW/ °C
Topr	Operating ambient temperature			-20 to +85	°C
Tstg	Storage temperature			-40 to +125	°C

ELECTRICAL CHARACTERISTICS (Ta=25°C, Vcc=5V, unless otherwise noted)

Block	Symbol	Parameter	Test conditions	Limits			Unit
				Min.	Typ.	Max.	
All block	Vcc	Supply voltage		4.0		15	V
	Icc	Supply current	Without load	—	660	900	µA
Error Amp.	Vo	Output voltage		2.85	3.00	3.15	V
	Vreg-L	REF line regulation	Vcc= 4 to 12V		5	15	mV
	Iin	IN input current		—	100	300	µA
Oscillator	fosc	Oscillator frequency		65	110	155	kHz
	TDUTY	Maximum on duty			90		%
CLM	VTHCLM	Current limit voltage	Vcc - CLM	120	150	180	mV
Output	ICL	Output leakage current	Vcc = 12V, Vc = 12V	-1	—	1	µA
	Vsat	Output saturation voltage	Io = 100mA	—	0.4	0.7	V

M62221L/FP

3.0V FIXED OUTPUT VOLTAGE DC-DC CONVERTER

Application Circuit (3.0V Output DC-DC Converter)

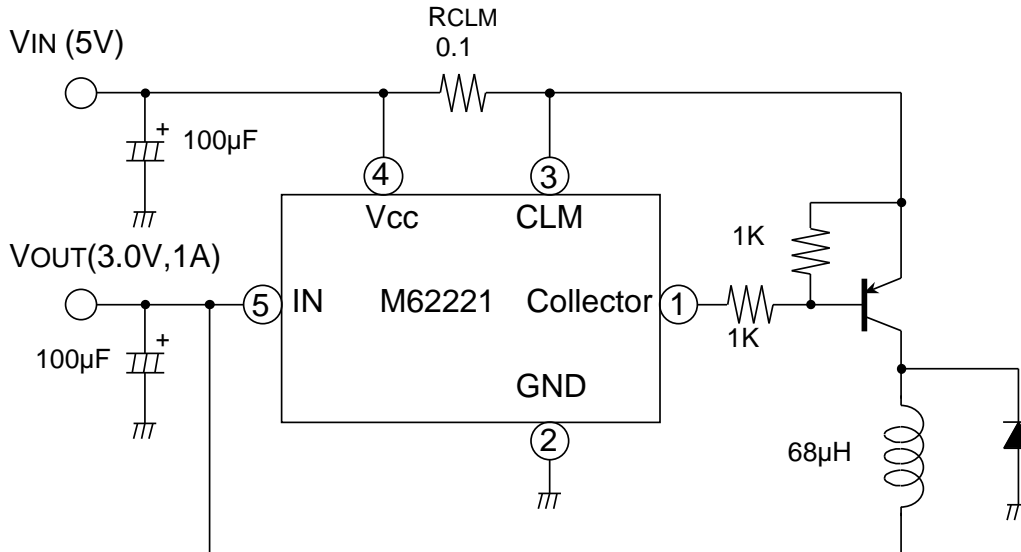


Fig.1 Example of the M62221L/FP application circuit

- Current Limit Detection:
When the voltage drop between pin 3 and pin 4 becomes more than 150mV, the Current Limit Detection circuit begins operating. The peak switch current "Ipk" is limited to $150\text{mV} / \text{RCLM}$. In the example of application (fig.1), the current is limited to 1.5A.

THE EXPRESSION OF CIRCUIT CONSTANTS

CONSTANTS	EXPRESSIONS
$\frac{\text{TON}}{\text{TOFF}}$	$\frac{\text{VO} + \text{VF}}{\text{VIN} - \text{VCE}(\text{sat}) - \text{VO}}$
$(\text{TON} + \text{TOFF})\text{MAX}$	$\frac{1}{f_{\text{osc}}}$ fosc:110KHz(Vcc=5V)
TOFF(MIN)	$(\text{TON} + \text{TOFF}) / (1 + \frac{\text{TON}}{\text{TOFF}})$
TON(MAX)	$\frac{1}{f_{\text{osc}}} - \text{TOFF}$
L(MIN)	$\frac{(\text{VIN} - \text{VCE}(\text{sat}) - \text{VO}) \times \text{TON}(\text{MAX})}{I_o}$
Ipk	$I_o + \frac{1}{2} I_o$
RCLM	$\frac{0.15}{I_{\text{pk}}}$ VCLM:150mV(Vcc=5V)

- VF :Forward voltage drop of an external diode.
- Vsat :Output saturation voltage of an external switching transistor.
- I_o :It should be set between 1/3 and 1/5 of maximum output current.
- An external transistor, diode and inductor should have a peak current capability of greater than "Ipk".