



MOTOROLA

Quad Line Driver with NAND Enabled Three-State Outputs

The Motorola AM26LS31 is a quad differential line driver intended for digital data transmission over balanced lines. It meets all the requirements of EIA-422 Standard and Federal Standard 1020.

The AM26LS31 provides an enable/disable function common to all four drivers as opposed to the split enables on the MC3487 EIA-422 driver.

The high impedance output state is assured during power down.

- Full EIA-422 Standard Compliance
- Single +5.0 V Supply
- Meets Full $V_O = 6.0\text{ V}$, $V_{CC} = 0\text{ V}$, $I_O < 100\ \mu\text{A}$ Requirement
- Output Short Circuit Protection
- Complementary Outputs for Balanced Line Operation
- High Output Drive Capability
- Advanced LS Processing
- PNP Inputs for MOS Compatibility

AM26LS31

QUAD EIA-422 LINE DRIVER WITH THREE-STATE OUTPUTS

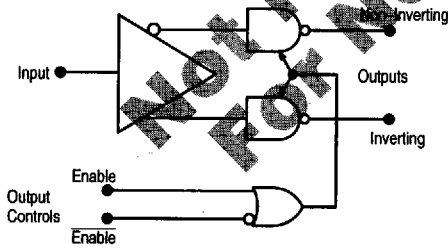
SEMICONDUCTOR TECHNICAL DATA

D SUFFIX
PLASTIC PACKAGE
CASE 752
(SO-16)

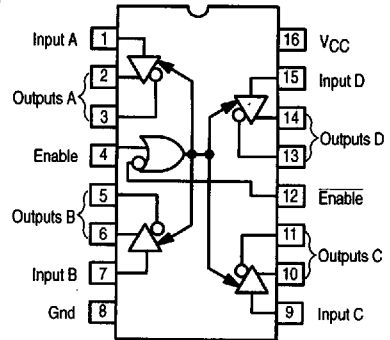


PC SUFFIX
PLASTIC PACKAGE
CASE 648

Representative Block Diagrams



PIN CONNECTIONS



TRUTH TABLE

Input	Control Inputs (E/ \bar{E})	Non-Inverting Output	Inverting Output
H	H/L	H	L
L	H/L	L	H
X	L/H	Z	Z

L = Low Logic State
H = High Logic State

X = Irrelevant
Z = Third-State (High Impedance)

ORDERING INFORMATION

Device	Operating Temperature Range	Package
AM26LS31PC	$T_A = 0\text{ to }+70^\circ\text{C}$	Plastic DIP
MC26LS31D*		SO-16

* Note that the surface mount MC26LS31D device uses the same die as in the plastic DIP AM26LS31DC device, but with an MC prefix to prevent confusion with the package suffix.

AM26LS31

MAXIMUM RATINGS

Rating	Symbol	Value	Unit
Power Supply Voltage	V_{CC}	8.0	Vdc
Input Voltage	V_I	5.5	Vdc
Operating Ambient Temperature Range	T_A	0 to +70	°C
Operating Junction Temperature Range	T_J	150	°C
Storage Temperature Range	T_{stg}	-65 to +150	°C

ELECTRICAL CHARACTERISTICS (Unless otherwise noted, specifications apply $4.75\text{ V} \leq V_{CC} \leq 5.25\text{ V}$ and $0^\circ\text{C} \leq T_A \leq 70^\circ\text{C}$. Typical values measured at $V_{CC} = 5.0\text{ V}$, and $T_A = 25^\circ\text{C}$.)

Characteristic	Symbol	Min	Typ	Max	Unit
Input Voltage – Low Logic State	V_{IL}	–	–	0.8	Vdc
Input Voltage – High Logic State	V_{IH}	2.0	–	–	Vdc
Input Current – Low Logic State ($V_{IL} = 0.4\text{ V}$)	I_{IL}	–	–	-360	μA
Input Current – High Logic State ($V_{IH} = 2.7\text{ V}$) ($V_{IH} = 7.0\text{ V}$)	I_{IH}	–	–	+20 +100	μA
Input Clamp Voltage ($I_{IK} = -18\text{ mA}$)	V_{IK}	–	–	-1.5	V
Output Voltage – Low Logic State ($I_{OL} = 20\text{ mA}$)	V_{OL}	–	–	0.5	V
Output Voltage – High Logic State ($I_{OH} = -20\text{ mA}$)	V_{OH}	2.5	–	–	V
Output Short Circuit Current ($V_{IH} = 2.0\text{ V}$) Note 1	I_{OS}	-30	–	-150	mA
Output Leakage Current – Hi-Z State ($V_{OL} = 0.5\text{ V}$, $V_{IL(E)} = 0.8\text{ V}$, $V_{IH(E)} = 2.0\text{ V}$) ($V_{OH} = 2.5\text{ V}$, $V_{IL(E)} = 0.8\text{ V}$, $V_{IH(E)} = 2.0\text{ V}$)	$I_{O(Z)}$	–	–	-20 +20	μA
Output Leakage Current – Power OFF ($V_{OH} = 6.0\text{ V}$, $V_{CC} = 0\text{ V}$) ($V_{OL} = -0.25\text{ V}$, $V_{CC} = 0\text{ V}$)	$I_{O(off)}$	–	–	+100 -100	μA
Output Offset Voltage Difference, Note 2	$V_{OS} - \bar{V}_{OS}$	–	–	± 0.4	V
Output Differential Voltage, Note 2	V_{OD}	2.0	–	–	V
Output Differential Voltage Difference, Note 2	$ \Delta V_{OD} $	–	–	± 0.4	V
Power Supply Current (Output Disabled) Note 3	I_{CCX}	–	60	80	mA

- NOTES:**
 1. Only one output may be shorted at a time.
 2. See EIA Specification EIA-422 for exact test conditions.
 3. Circuit in three-state condition.

SWITCHING CHARACTERISTICS ($V_{CC} = 5.0\text{ V}$, $T_A = 25^\circ\text{C}$ unless otherwise noted.)

Characteristic	Symbol	Min	Typ	Max	Unit
Propagation Delay Times High to Low Output Low to High Output	t_{PHL} t_{PLH}	–	–	20 20	ns
Output Skew		–	–	6.0	ns
Propagation Delay – Control to Output ($C_L = 10\text{ pF}$, $R_L = 75\ \Omega$ to Gnd) ($C_L = 10\text{ pF}$, $R_L = 180\ \Omega$ to V_{CC}) ($C_L = 30\text{ pF}$, $R_L = 75\ \Omega$ to Gnd) ($C_L = 30\text{ pF}$, $R_L = 180\ \Omega$ to V_{CC})	$t_{PHZ(E)}$ $t_{PLZ(E)}$ $t_{PZH(E)}$ $t_{PZL(E)}$	–	–	30 35 40 45	ns

6367253 0101780 683

AM26LS31

Figure 1. Three-State Enable Test Circuit and Waveforms

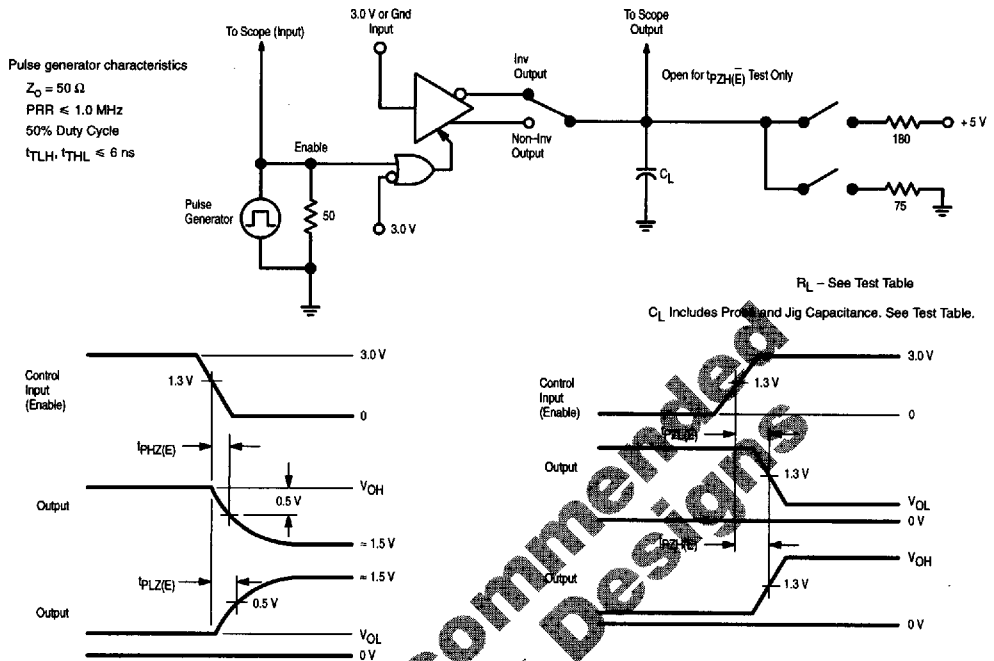
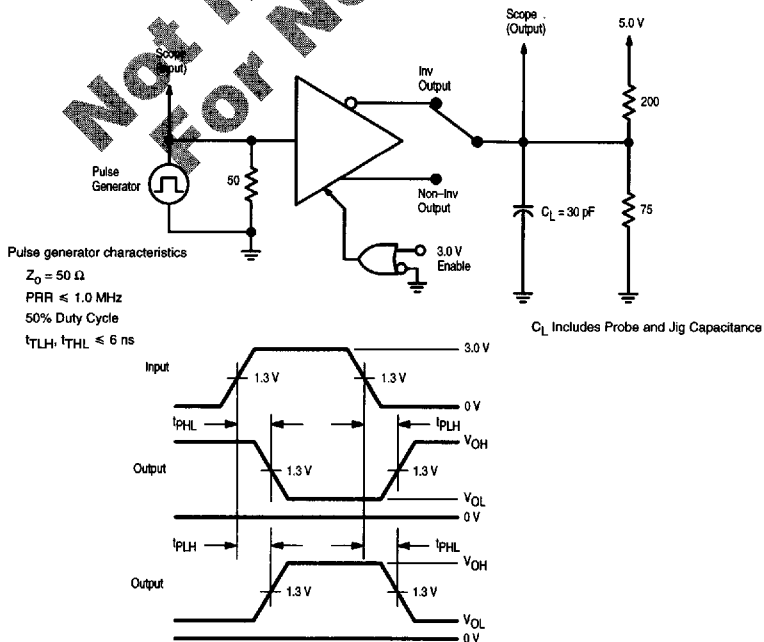


Figure 2. Propagation Delay Times Input to Output Waveforms and Test Circuit



6367253 0101781 51T