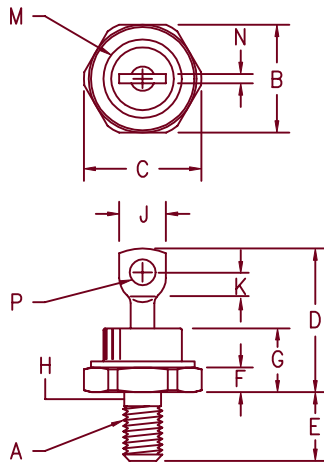


SuperSoft™ Ultrafast Rectifiers

SSUR70120



Notes:

1. Full threads within 2 1/2 threads
2. Standard Polarity: Stud is Cathode
Reverse Polarity: Stud is Anode

Dim.	Inches		Millimeter		Notes
	Minimum	Maximum	Minimum	Maximum	
A		1/4-28 UNF 3A			1
B	.667	.687	16.94	17.45	
C	---	.793	---	20.14	
D	---	1.00	---	25.40	
E	.422	.453	10.72	11.51	
F	.115	.200	2.92	5.08	
G	---	.450	---	11.43	
H	.220	.249	5.59	6.32	2
J	.250	.375	6.35	9.52	
K	.140	---	3.56	---	
M	---	.667	---	16.94	Dia
N	---	.080	---	2.03	
P	.140	.175	3.56	4.44	Dia

D0203AB (D05)

Microsemi Catalog Number	Repetitive Peak Reverse Voltage	Transient Peak Reverse Voltage
SSUR70120*	1200V	1200V

*Add Suffix R For Reverse Polarity

- Soft Recovery Characteristics
- Ultrafast Rectifier
- 70 Amps current rating
- M.I.-PRF-19500 Equivalents Available
- 175°C Junction Temperature
- V_{RRM} 1200 Volts

Electrical Characteristics

Average forward current	$I_{F(AV)}$ 70 Amps	$T_C = 107^\circ\text{C}$, Square wave, $R_{\theta JC} = 0.7^\circ\text{C/W}$ 8.3 ms , half sine, $T_J = 175^\circ\text{C}$ $I_{FM} = 70\text{A}$: $T_J = 25^\circ\text{C}^*$ V_{RRM} , $T_J = 125^\circ\text{C}$ V_{RRM} , $T_J = 25^\circ\text{C}$ $V_R = 10.0\text{V}$, $T_J = 25^\circ\text{C}$ $I_F = 1\text{A}$, $V_R = 30\text{V}$, $di/dt = 50\text{A}/\mu\text{s}$
Maximum surge current	I_{FSM} 500 Amps	
Max peak forward voltage	V_{FM} 2.30 Volts	
Max peak reverse current	I_{RM} 3.0 mA	
Max peak reverse current	I_{RM} 25 μA	
Typical junction capacitance	C_J 150 pF	
Max reverse recovery time	t_{RR} 120 nsec	

*Pulse test: Pulse width 300 μsec , Duty cycle 2%

Thermal and Mechanical Characteristics

Storage temp range	T_{STG}	-65°C to 175°C
Operating junction temp range	T_J	-65°C to 175°C
Max thermal resistance	$R_{\theta JC}$	0.7°C/W Junction to case
Typical thermal resistance (greased)	$R_{\theta CS}$	0.5°C/W Case to sink
Mounting torque		25-30 inch pounds
Weight		.54 ounces (15.3 grams) typical

SSUR70120

Figure 1
Typical Forward Characteristics

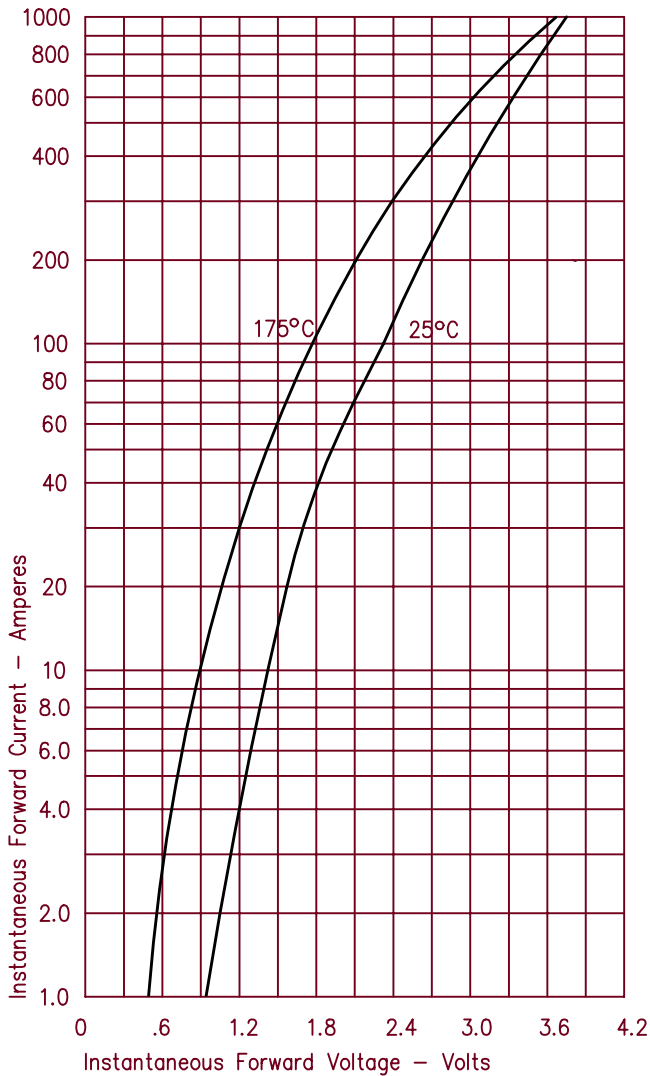


Figure 3
Typical Junction Capacitance

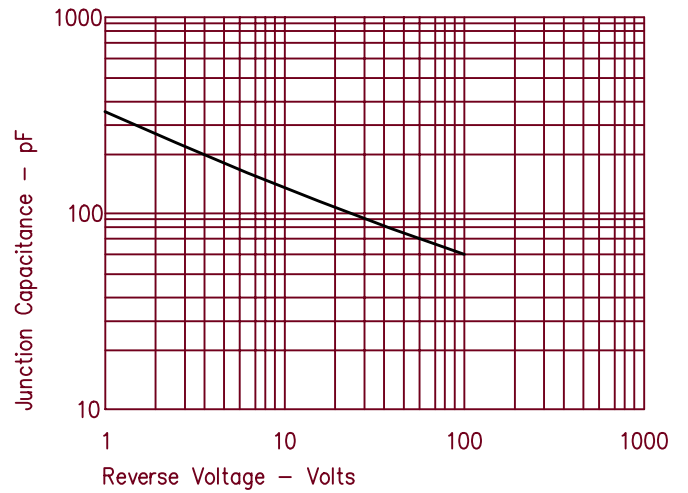


Figure 4
Forward Current Derating

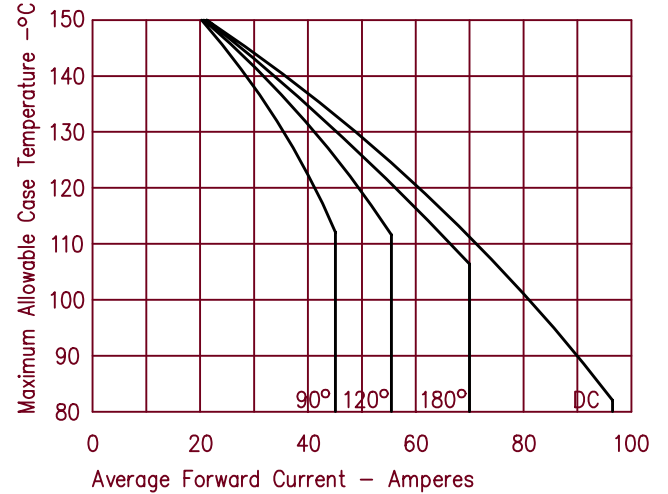


Figure 2
Typical Reverse Characteristics

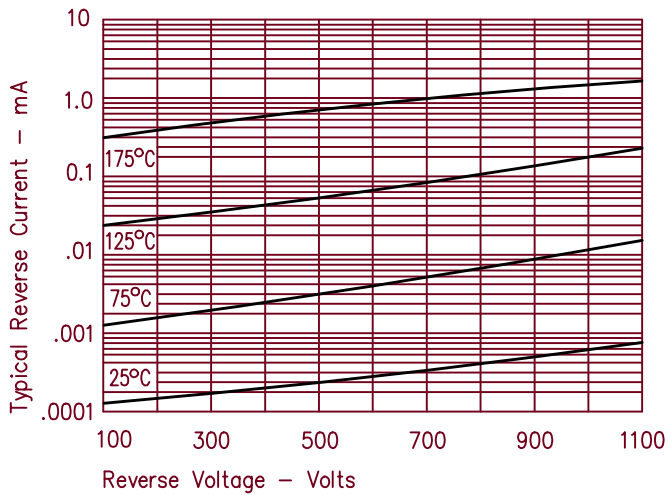


Figure 5
Maximum Forward Power Dissipation

