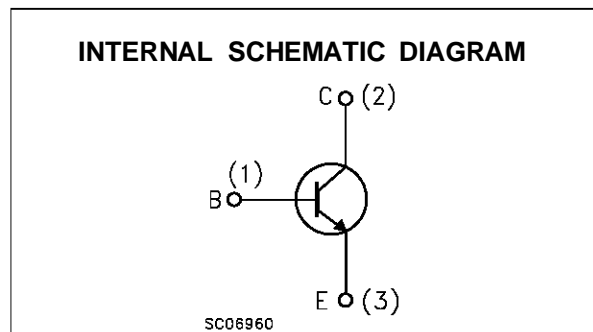
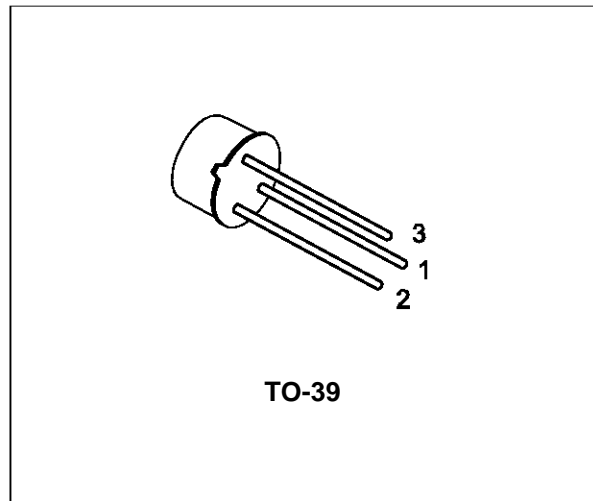


## MEDIUM POWER AMPLIFIER

### DESCRIPTION

The BFY50 and BFY52 are silicon planar epitaxial NPN transistors in Jedec TO-39 metal case. They are intended for general purpose linear and switching applications.



### ABSOLUTE MAXIMUM RATINGS

Symbol	Parameter	Value		Unit
		BFY50	BFY51	
$V_{CBO}$	Collector-Base Voltage ( $I_E = 0$ )	80	60	V
$V_{CEO}$	Collector-Emitter Voltage ( $I_B = 0$ )	35	30	V
$V_{EBO}$	Emitter-Base Voltage ( $I_C = 0$ )	6		V
$I_C$	Collector Current	1		A
$I_{CM}$	Collector Peak Current ( $t_p < 5$ ms)	1.5		A
$P_{tot}$	Total Dissipation at $T_{amb} \leq 25$ °C at $T_{case} \leq 25$ °C	0.8		W
		5		W
$T_{stg}$	Storage Temperature	-65 to 200		°C
$T_j$	Max. Operating Junction Temperature	200		°C

# BFY50/BFY51

## THERMAL DATA

$R_{thj-case}$	Thermal Resistance Junction-Case	Max	35	$^{\circ}C/W$
$R_{thj-amb}$	Thermal Resistance Junction-Ambient	Max	218	$^{\circ}C/W$

## ELECTRICAL CHARACTERISTICS ( $T_{case} = 25^{\circ}C$ unless otherwise specified)

Symbol	Parameter	Test Conditions	Min.	Typ.	Max.	Unit
$I_{CBO}$	Collector Cut-off Current ( $I_E = 0$ )	for <b>BFY50</b> $V_{CB} = 60 V$ $V_{CB} = 60 V$ $T_{case} = 100^{\circ}C$ for <b>BFY51</b> $V_{CB} = 40 V$ $V_{CB} = 40 V$ $T_{case} = 100^{\circ}C$			50 2.5 50 2.5	nA $\mu A$ nA $\mu A$
$I_{EBO}$	Emitter Cut-off Current ( $I_C = 0$ )	$V_{EB} = 5 V$ $V_{EB} = 5 V$ $T_{case} = 100^{\circ}C$			50 2.5	nA $\mu A$
$V_{(BR)CBO}$	Collector-Base Breakdown Voltage ( $I_E = 0$ )	$I_C = 100 \mu A$ for <b>BFY50</b> for <b>BFY51</b>	80 60			V V
$V_{(BR)CEO}^*$	Collector-Emitter Breakdown Voltage ( $I_B = 0$ )	$I_C = 30 mA$ for <b>BFY50</b> for <b>BFY51</b>	35 30			V V
$V_{(BR)EBO}$	Emitter-Base Breakdown Voltage ( $I_C = 0$ )	$I_C = 100 \mu A$	6			V
$V_{CE(sat)}^*$	Collector-Emitter Saturation Voltage	$I_C = 150 mA$ $I_B = 15 mA$ for <b>BFY50</b> for <b>BFY51</b> $I_C = 1 A$ $I_B = 0.1 A$ for <b>BFY50</b> for <b>BFY51</b>		0.14 0.14 0.7 0.7	0.2 0.35 1 1.6	V V V V
$V_{BE(sat)}^*$	Base-Emitter Saturation Voltage	$I_C = 150 mA$ $I_B = 15 mA$ $I_C = 1 A$ $I_B = 0.1 A$		0.95 1.5	1.3 2	V V
$h_{FE}^*$	DC Current Gain	for <b>BFY50</b> $I_C = 10 mA$ $V_{CE} = 10 V$ $I_C = 150 mA$ $V_{CE} = 10 V$ $I_C = 1 A$ $V_{CE} = 10 V$ for <b>BFY51</b> $I_C = 10 mA$ $V_{CE} = 10 V$ $I_C = 150 mA$ $V_{CE} = 10 V$ $I_C = 1 A$ $V_{CE} = 10 V$	20 30 15 30 40 15	40 55 30 55 70 40		
$h_{fe}^*$	Small Signal Current Gain	$V_{CE} = 6 V$ $f = 1 KHz$ $I_C = 1 mA$ for <b>BFY50</b> for <b>BFY51</b> $I_C = 10 mA$ for <b>BFY50</b> for <b>BFY51</b>		25 30 45 60		
$f_T$	Transition Frequency	$I_C = 50 mA$ $V_{CE} = 10 V$ for <b>BFY50</b> for <b>BFY51</b>	60 50	100 110		MHz MHz
$C_{CBO}$	Collector Base Capacitance	$I_E = 0$ $V_{CB} = 10 V$ $f = 1 MHz$		10		pF

\* Pulsed: Pulse duration = 300  $\mu s$ , duty cycle  $\leq 1\%$

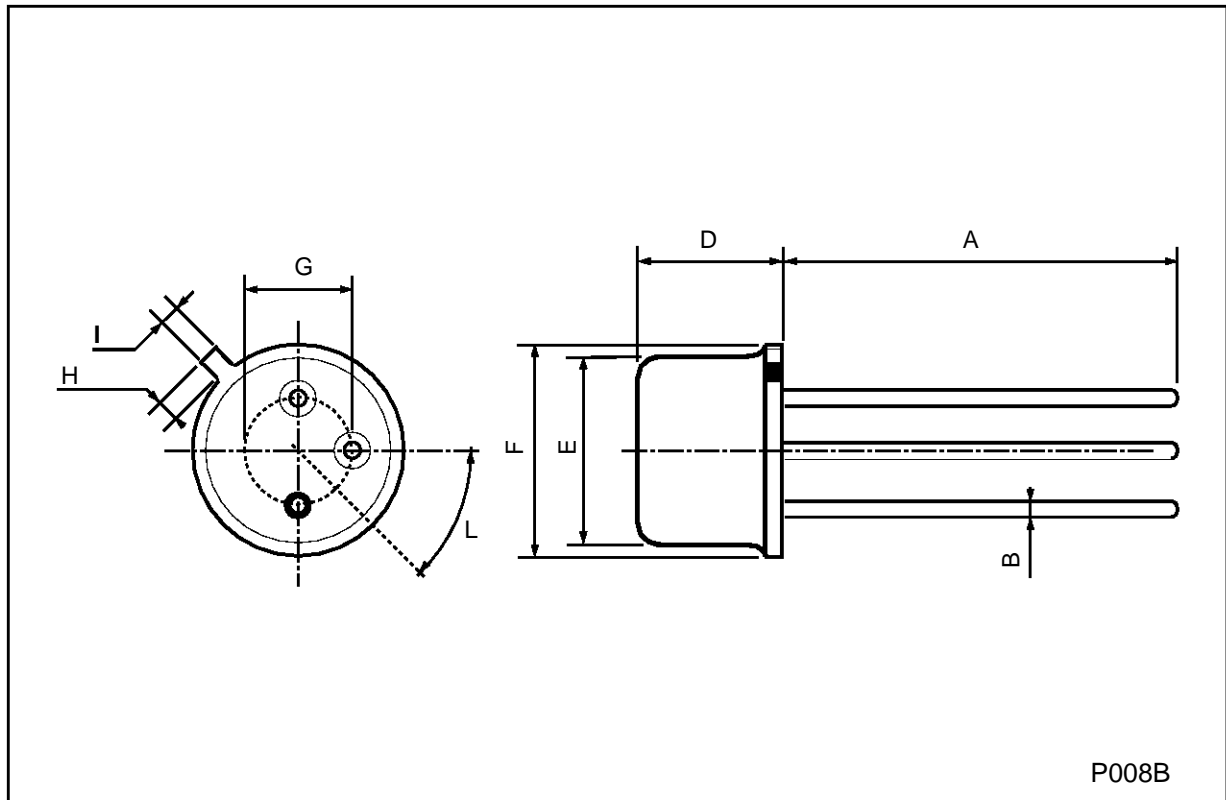
## ELECTRICAL CHARACTERISTICS (continued)

Symbol	Parameter	Test Conditions	Min.	Typ.	Max.	Unit
$h_{ie}$	Input Impedance	$I_C = 10 \text{ mA}$ $V_{CE} = 5 \text{ V}$ $f = 1 \text{ KHz}$ for <b>BFY50</b> for <b>BFY51</b>		180 220		$\Omega$ $\Omega$
$h_{re}$	Reverse Voltage Ratio	$I_C = 10 \text{ mA}$ $V_{CE} = 5 \text{ V}$ $f = 1 \text{ KHz}$ for <b>BFY50</b> for <b>BFY51</b>		55 70		$10^{-6}$ $10^{-6}$
$h_{oe}$	Output Admittance	$I_C = 10 \text{ mA}$ $V_{CE} = 5 \text{ V}$ $f = 1 \text{ KHz}$ for <b>BFY50</b> for <b>BFY51</b>		30 35		$\mu\text{S}$ $\mu\text{S}$
$t_d$	Delay Time	$I_C = 150 \text{ mA}$ $V_{CC} = 10 \text{ V}$ $I_{B1} = 15 \text{ mA}$ $V_{BE} = -2 \text{ V}$		15		ns
$t_r$	Rise Time	$I_C = 150 \text{ mA}$ $V_{CC} = 10 \text{ V}$ $I_{B1} = 15 \text{ mA}$ $V_{BE} = -2 \text{ V}$		40		ns
$t_s$	Storage Time	$I_C = 150 \text{ mA}$ $V_{CC} = 10 \text{ V}$ $I_{B1} = -I_{B2} = 15 \text{ mA}$		300		ns
$t_f$	Fall Time	$I_C = 150 \text{ mA}$ $V_{CC} = 10 \text{ V}$ $I_{B1} = -I_{B2} = 15 \text{ mA}$		60		ns

\* Pulsed: Pulse duration = 300  $\mu\text{s}$ , duty cycle  $\leq 1\%$

**TO-39 MECHANICAL DATA**

DIM.	mm			inch		
	MIN.	TYP.	MAX.	MIN.	TYP.	MAX.
A	12.7			0.500		
B			0.49			0.019
D			6.6			0.260
E			8.5			0.334
F			9.4			0.370
G	5.08			0.200		
H			1.2			0.047
I			0.9			0.035
L	45° (typ.)					



P008B

Information furnished is believed to be accurate and reliable. However, SGS-THOMSON Microelectronics assumes no responsibility for the consequences of use of such information nor for any infringement of patents or other rights of third parties which may result from its use. No license is granted by implication or otherwise under any patent or patent rights of SGS-THOMSON Microelectronics. Specifications mentioned in this publication are subject to change without notice. This publication supersedes and replaces all information previously supplied. SGS-THOMSON Microelectronics products are not authorized for use as critical components in life support devices or systems without express written approval of SGS-THOMSON Microelectronics.

© 1997 SGS-THOMSON Microelectronics - Printed in Italy - All Rights Reserved

SGS-THOMSON Microelectronics GROUP OF COMPANIES

Australia - Brazil - Canada - China - France - Germany - Italy - Japan - Korea - Malaysia - Malta - Morocco - The Netherlands -  
Singapore - Spain - Sweden - Switzerland - Taiwan - Thailand - United Kingdom - U.S.A

...