

SD56120

ELECTRICAL SPECIFICATION ($T_{\text{case}} = 25\text{ }^{\circ}\text{C}$)

STATIC (Per Section)

Symbol	Parameter			Min.	Typ.	Max.	Unit
$V_{(\text{BR})\text{DSS}}$	$V_{\text{GS}} = 0\text{V}$	$I_{\text{DS}} = 10\text{ mA}$		65			V
I_{DSS}	$V_{\text{GS}} = 0\text{V}$	$V_{\text{DS}} = 28\text{ V}$				1	μA
I_{GSS}	$V_{\text{GS}} = 20\text{V}$	$V_{\text{DS}} = 0\text{ V}$				1	μA
$V_{\text{GS(Q)}}$	$V_{\text{DS}} = 28\text{V}$	$I_{\text{D}} = 100\text{ mA}$		3.0		5.0	V
$V_{\text{DS(ON)}}$	$V_{\text{GS}} = 10\text{V}$	$I_{\text{D}} = 3\text{ A}$			0.7	0.8	V
G_{FS}	$V_{\text{DS}} = 10\text{V}$	$I_{\text{D}} = 3\text{ A}$			3		mho
C_{ISS}	$V_{\text{GS}} = 0\text{V}$	$V_{\text{DS}} = 28\text{ V}$	$f = 1\text{ MHz}$		88		pF
C_{OSS}	$V_{\text{GS}} = 0\text{V}$	$V_{\text{DS}} = 28\text{ V}$	$f = 1\text{ MHz}$		44		pF
C_{RSS}	$V_{\text{GS}} = 0\text{V}$	$V_{\text{DS}} = 28\text{ V}$	$f = 1\text{ MHz}$		1.7		pF

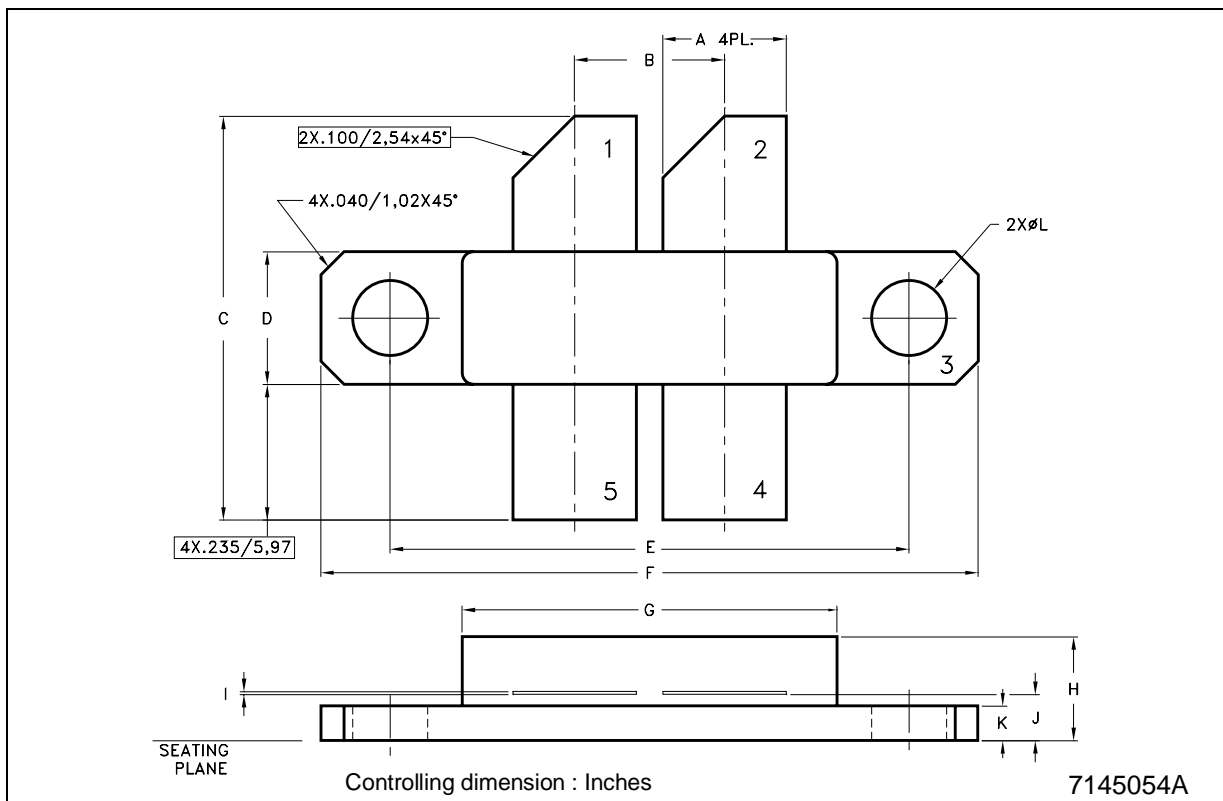
DYNAMIC

Symbol	Parameter			Min.	Typ.	Max.	Unit
P_{OUT}	$V_{\text{DD}} = 28\text{V}$	$f = 860\text{ MHz}$	$I_{\text{DQ}} = 400\text{ mA}$	100			W
G_{PS}	$V_{\text{DD}} = 28\text{ V}$	$P_{\text{out}} = 100\text{W PEP}$	$I_{\text{DQ}} = 400\text{ mA}$	13			dB
η_{D}	$V_{\text{DD}} = 28\text{ V}$	$P_{\text{out}} = 100\text{W PEP}$	$I_{\text{DQ}} = 400\text{ mA}$	30	36		%
IMD	$V_{\text{DD}} = 28\text{ V}$	$P_{\text{out}} = 100\text{W PEP}$	$I_{\text{DQ}} = 400\text{ mA}$		31		dB
Load Mismatch	$f = 860\text{ MHz}$ $I_{\text{DQ}} = 400\text{ mA}$	$V_{\text{DD}} = 28\text{ V}$ ALL PHASE ANGLES	$P_{\text{out}} = 100\text{W PEP}$	5:1			VSWR

Note : $f_1 = 860\text{ MHz}$
 $f_2 = 860.1\text{ MHz}$

M246 (.230 x .650 WIDE 4/L BAL N/HERM W/FLG) MECHANICAL DATA

DIM.	mm			inch		
	MIN.	TYP.	MAX.	MIN.	TYP.	MAX.
A	5.33		5.59	0.210		0.220
B	6.48		6.73	0.255		0.265
C	17.27		18.29	0.680		0.720
D	5.72		5.97	0.225		0.235
E		22.86			0.900	
F	28.83		29.08	1.135		1.145
G	16.26		16.76	0.640		0.660
H	4.19		5.08	0.165		0.200
I	0.08		0.15	0.003		0.006
J	1.83		2.24	0.072		0.088
K	1.40		1.65	0.055		0.065
L	3.18		3.43	0.125		0.135



Information furnished is believed to be accurate and reliable. However, STMicroelectronics assumes no responsibility for the consequences of use of such information nor for any infringement of patents or other rights of third parties which may result from its use. No license is granted by implication or otherwise under any patent or patent rights of STMicroelectronics. Specification mentioned in this publication are subject to change without notice. This publication supersedes and replaces all information previously supplied. STMicroelectronics products are not authorized for use as critical components in life support devices or systems without express written approval of STMicroelectronics.

The ST logo is a trademark of STMicroelectronics

© 1999 STMicroelectronics – Printed in Italy – All Rights Reserved

STMicroelectronics GROUP OF COMPANIES

Australia - Brazil - China - Finland - France - Germany - Hong Kong - India - Italy - Japan - Malaysia - Malta - Morocco - Singapore - Spain - Sweden - Switzerland - United Kingdom - U.S.A.

<http://www.st.com>