

CT 3232M

Low Power Driver / Receiver

For MIL-STD-1553 & Macair

Features

- 1.5 Watt Total Hybrid Dissipation at 25% Transmitting Duty Cycle
- Monolithic Design
- Compatible with MIL-STD-1553A/B & Macair A3818, A5232, A5690 & A4905
- Meets MIL-STD-1553B
- TTL Compatible
- Full Military (-55°C to +125°C) Temperature Range
- Driver / Receiver in a single Package for Space & Weight Savings
- Filtering on Receiver to Improve S/N Ratio of System
- Pin for Pin interchangeable with CT3231 Series
- Packaging – Hermetic Metal Plug-In or Flat Package
 - 24 Lead, 1.27" sq. max x .2" Ht Flat package
 - 24 Pin, 1.27" sq. max x .175" Ht Plug-In package



DRIVER DESCRIPTION

The CT3232 Driver section accepts complementary TTL Data at the input, and produces a 30 Volt nominal peak-to-peak differential signal across a 140Ω load at the output. When coupled to the Data Bus with a 1:1 transformer, isolated on the Data Bus side with two 55.0Ω fault isolation resistors, and loaded by two 70Ω terminations plus additional receivers, the Data Bus signal produced is 7.2 Volts nominal peak-to-peak.

When both "DATA" and " $\overline{\text{DATA}}$ " inputs are held low or both are held high, the driver output becomes a high impedance and is "removed" from the line. In addition, an overriding "INHIBIT" input provides for removal of the Driver output from the line. A logic "1" applied to the "INHIBIT" takes priority over the condition of the data inputs and disables the Driver. See Driver Logic Waveforms, Figure 3.

DATA and $\overline{\text{DATA}}$ inputs must be complementary waveforms, of 50% duty cycle average, with no gate delays between them.

RECEIVER DESCRIPTION

The CT3232 Receiver section accepts Bi-Phase Differential data at the input and produces two TTL signals at the output. The outputs are "DATA" and " $\overline{\text{DATA}}$ ", and represent positive and negative excursions (respectively) of the input beyond a predetermined threshold. See Receiver Logic Waveforms, Figure 2.

The positive and negative thresholds may be internally set by grounding the appropriate pins, or externally set with resistors. The pre-set internal thresholds will detect Data Bus signals exceeding 1Volt p-p and ignore signals less than 0.5Volt p-p when used with 1:1 transformer (See Figure 4 for a suitable transformer and typical connection).

A low level at the STROBE input inhibits the DATA and $\overline{\text{DATA}}$ outputs. If unused, a 2KΩ pull-up to +5V is recommended.

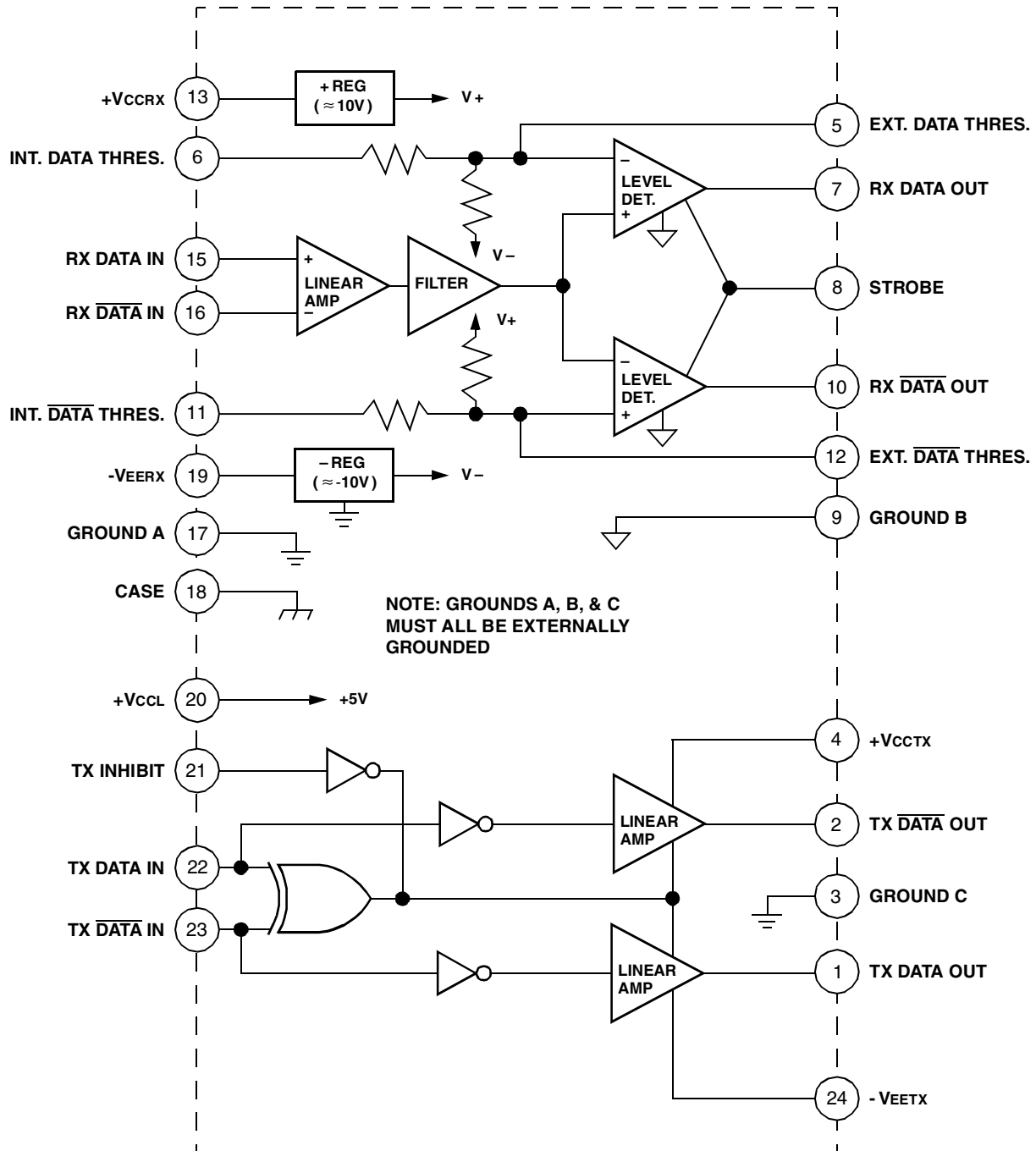


Figure 1 – CT3232 Functional Block Diagram and Pinouts

Absolute Maximum Ratings

Parameter	Range	Units
Supply Voltage, Pin 4 or 13	-0.3 to +18.0	Volts
Supply Voltage, Pin 24 or 19	0.3 to -18.0	Volts
Supply Voltage, Pin 20	-0.3 to + 7.0	Volts
Logic Input Voltage, Pin 8, 21, 22, or 23	-0.3 to +5.5V	Volts
Receiver Differential Input, Pin 15 to Pin 16	±20 (40 Vp-p)	Volts
Receiver Input Voltage, Pin 15 or Pin 16	±15	Volts
Driver Peak Output Current, Pin 1 or Pin 2	±300	mA
Total Package Power Dissipation at (Ambient) TA = + 25°C (Derate above TA = + 25°C at 40 mW/°C)	4.0 (Note 1)	Watts
Power Dissipation at Specified Case Temperatures	See Figure 5	
Operating Case Temperature Range (Tc) (See Figure 5 for limitations)	-55 to +125	°C

Electrical Characteristics

Parameter / Condition	Sym	Min	Typ	Max	Unit
-----------------------	-----	-----	-----	-----	------

Receiver

Power Supply Voltage Ranges	VCCR VEER VCCL	+11.75 -11.75 +4.75	- - -	+15.75 -15.75 +5.25	V V V
Supply Current	ICCR IEER ICCL	- - -	25 30 35	- - -	mA mA mA
Differential Input Impedance	f=1MHz ZIN	9K	-	-	Ω
Differential Voltage Range	VDR	±20	-	-	Vpeak
Input Common Mode Voltage Range	VICR	±10	-	-	Vpeak
Common Mode Rejection Ratio (From Point A, Fig. 4)	CMRR	40	-	-	dB
Strobe Characteristics (Logic "0" inhibits Output)					
"0" Input Current (V strobe = 0.5 V)	IIL	-	-	-4	mA
"1" Input Current (V strobe = 2.7 V)	IIH	-	-	400	μA
"0" Input Voltage	VIL	-	-	0.7	V
"1" Input Voltage	VIH	2.0	-	-	V
Strobe Delay (turn-on or turn-off)	tSD	-	20	-	ns
Threshold Characteristics (Sinewave input, 100KHz to 1MHz) <i>Note: Threshold voltages are referred to the Input</i>					
Internal (Pin 6 & 11 grounded)	VTH ₁	0.6	-	1.0	Vp-p
External (Pin 6 & 11 open; threshold setting resistors from Pin 5 to ground & from Pin 12 to ground; RTH Max = 10KΩ)	RTH/VTH ₁	-	4000	-	Ω/Vp-p
Filter Characteristics (Pin 6 & 11 Grounded)					
(Sinewave input)	f=2MHz f=3MHz VTH ₂ VTH ₃	1.0 3.0	- -	3.0 -	Vp-p Vp-p

Electrical Characteristics con't

Parameter / Condition	Sym	Min	Typ	Max	Unit
-----------------------	-----	-----	-----	-----	------

Receiver con't

Output Characteristics, RX Data & $\overline{\text{Data}}$ "1" State (I _{SOURCE} = -0.4 mA) Note 2 "0" State (I _{SINK} = 4 mA) Note 2 <i>Note: With Receiver input below threshold, both RX Data & RX $\overline{\text{Data}}$ outputs remain in "1" state.</i>	V _{OH}	2.5	3.3	-	V
	V _{OL}	-	-	0.5	V
Delay (average) from differential input zero crossings to RX Data & RX $\overline{\text{Data}}$ output 50% points.	t _{DRX}	-	290	450	ns

Note 1: Assumes unit in free air (natural convection cooling).

Driver

Power Supply Voltage Ranges (See Receiver Section for V _{CCL})	V _{CCTX}	+11.75	-	+15.75	V	
	V _{EETXL}	-11.75	-	-15.75	V	
Supply Current, "Standby" mode (See Receiver Section for I _{CCL}) (TX Inhibit high; or TX Data & TX $\overline{\text{Data}}$ both high or both low)	I _{CCTXS}	-	12	Note 2	mA	
	I _{EETXS}	-	0	1.0	mA	
Supply Current transmitting at 1MHz into a 35Ω load at point A in Figure 4 (I _{CCL} limits do not change with mode of operation or duty cycle)	Duty Cycle					
	25%	I _{CCX25}	Note 4	45	Note 2	mA
		I _{EEX25}	Note 3	35	Note 2	mA
	100%	V _{CCTX}	Note 4	150	Note 2	mA
		I _{EETX}	Note 3	135	Note 2	mA
Input Characteristics, TX Data In or TX $\overline{\text{Data}}$ In "0" Input Current (V _{IN} = 0.4 V) "1" Input Current (V _{IN} = 2.7 V) "0" Input Voltage "1" Input VoltageV	I _{ILD}	-	-	-1.2	mA	
	I _{IHD}	-	-	100	μA	
	V _{ILD}	-	-	0.7	V	
	V _{IHD}	2.0	-	-	V	
Inhibit Characteristic "0" Input Current (V _{IN} = 0.4 V) "1" Input Current (V _{IN} = 2.7 V) "0" Input Voltage "1" Input Voltage Delay from TX Inhibit (0 $\overline{\text{O}}$ 1) to inhibited output impedance Delay from TX $\overline{\text{Inhibit}}$ (1 $\overline{\text{O}}$ 0) to active output impedance Differential output noise, inhibit mode Differential output impedance (inhibited) at 1MHz	I _{ILI}	-	-	-0.8	mA	
	I _{IHI}	-	-	50	μA	
	V _{ILI}	-	-	0.7	V	
	V _{IHI}	2.0	-	-	V	
	t _{DXOFF}	-	300	450	ns	
	t _{DXON}	-	100	350	ns	
	V _{NOI}	-	-	10	mV _{PEAK}	
	Z _{OI}	10K	-	-	Ω	
Output Characteristics (Figure 3) Differential output level (140 ohm load) Differential Active output impedance at 1MHz Rise and Fall times (10% to 90% of p-p output) Output offset at point A in Fig. 4 (35Ω load) 2.5μs after mid-bit crossing of the parity bit of the last word of a 660μs message Delay from 50% point of TX Data or TX $\overline{\text{Data}}$ input to zero crossing of differential output	V _O	28	32	35	V _{p-p}	
	Z _{OA}	-	-	10	Ω	
	t _R / t _F	200	-	300	ns	
	V _{OS}	-	±20	±75	mV _{peak}	
	t _{DTX}	-	220	350	ns	

Note 2: Maximum supply currents for driver and receiver combined are included in power and thermal data table.

Electrical Characteristics con't

Parameter / Condition	Sym	Min	Typ	Max	Unit	
Power and Thermal Data, Total Hybrid (Driver and Receiver)						
Total Supply Current, "Standby" mode or transmitting at less than 1% duty cycle (e.g. 20µS of transmission every 2mS or longer interval)	ICCS	-	40	50	mA	
	IEES	-	30	40	mA	
	ICCL	-	35	45	mA	
Total Supply Current transmitting at 1MHz into a 35Ω load at point A in Figure 4 (ICCL limits do not change with mode of operation or duty cycle)	Duty Cycle	ICC25	Note 4	70	80	mA
	25%	IEE25	Note 4	65	75	mA
	100%	ICC100	Note 4	175	190	mA
Power Dissipation of most critical (hottest) device in hybrid during continuous transmission (100% duty cycle)	Supply Voltage					
	±12V ±15V	PC12 PC15	Note 3 Note 3	300 450	400 600	mA mA
Thermal Resistance, junction-to-case, of most critical device	ØJC	-	80	100	°C/W	
Allowable transmitting duty cycle when case is held to +100°C maximum	Note 5	-	-	100	%	
Allowable transmitting duty cycle when case is held to +125°C maximum	Supply Voltage					
	±12V ±15V	Note 5 Note 5	- -	- -	80 55	% %

Note 3: Decreases linearly to zero at zero duty cycle.

Note 4: Decreases linearly to applicable "Standby" value at zero duty cycle.

Note 5: Based upon operating junction temperature of 160°C for hottest device. For lower operating junction temperatures, reduce maximum duty cycle accordingly.

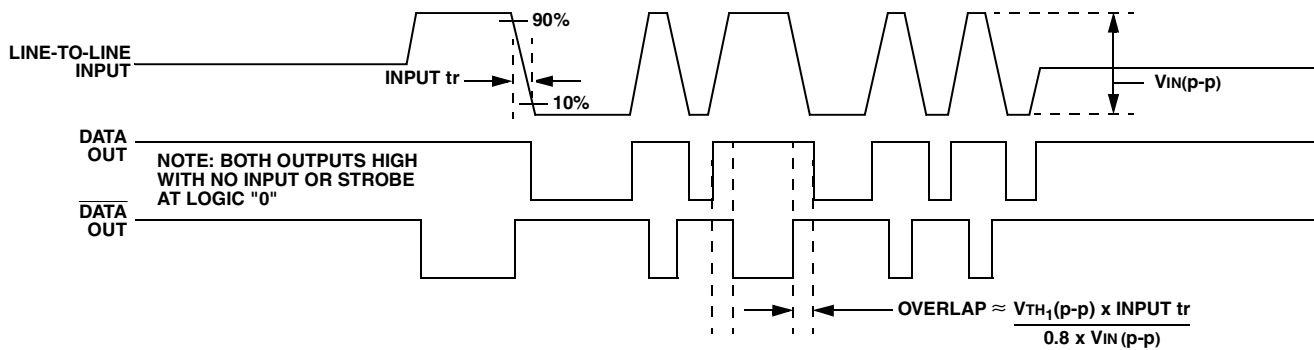


Figure 2 – Receiver Logic Waveforms

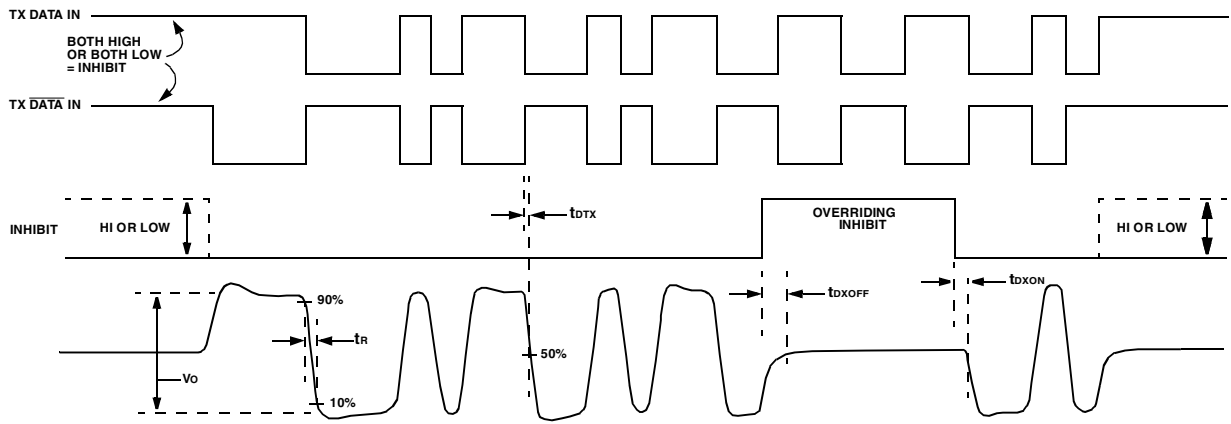


Figure 3 – Driver Logic Waveforms

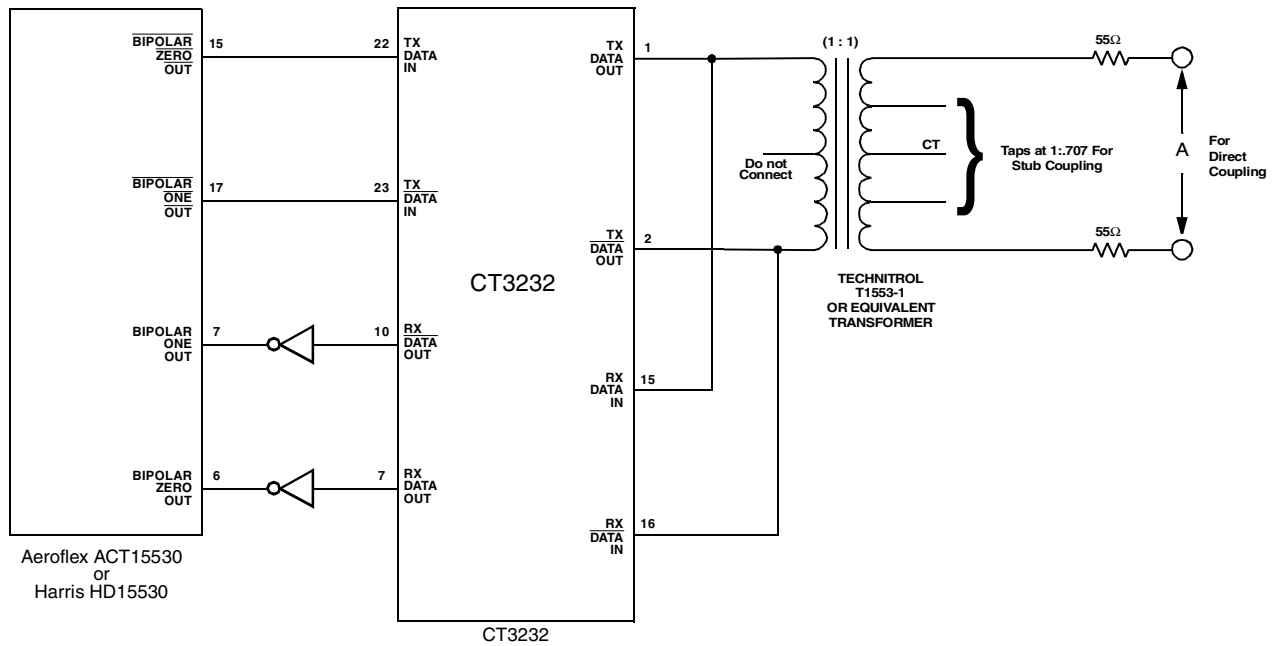
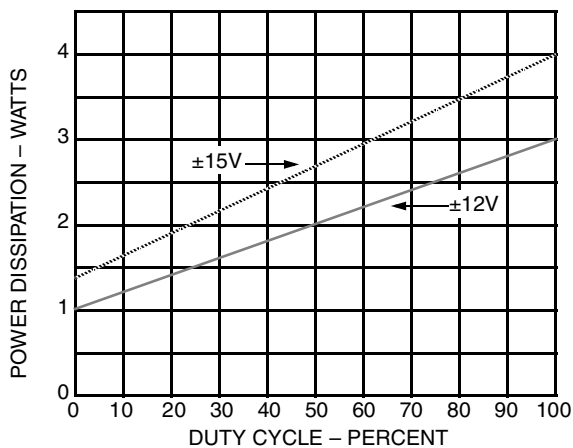


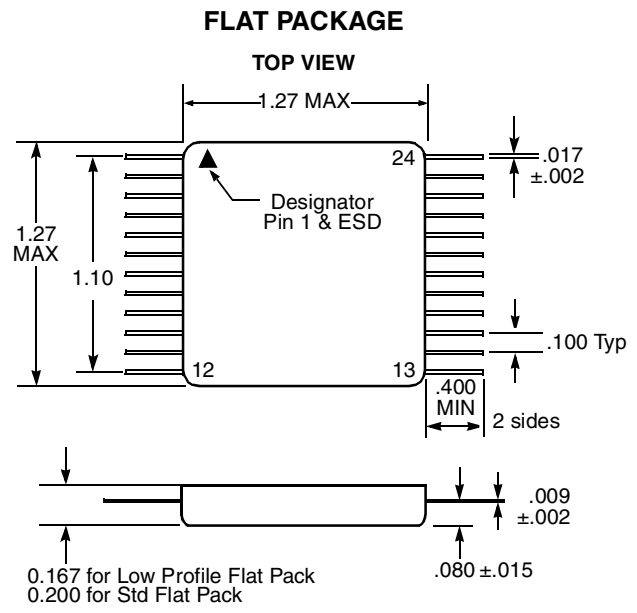
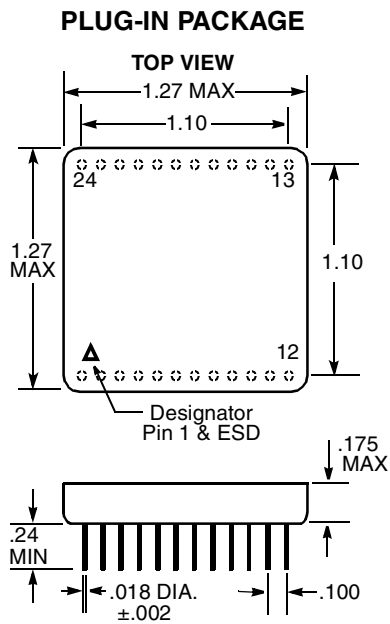
Figure 4 – Typical Input/Output Connections



$$\% \text{ Duty Cycle} = \frac{\text{Transmit Time}}{\text{Transmit \& Receive Time}} \times 100$$

Note: Case Temperature must be held to +100°C Maximum for 100% Duty Cycle. For Operation at Case Temperature of +125°C, See "Power and Thermal Data".

Figure 5 – Typical Power Dissipation (Total Hybrid)



Notes: 1. Dimensions shown are in inches.
 2. Pins are equally spaced at $.100 \pm .002$ tolerance non-cumulative each row.

Figure 6 – Package Outline Drawings

Pin #	Function	Pin #	Function
1	Tx Data Out	13	+VCCR _X
2	Tx $\overline{\text{Data}}$ Out	14	NC
3	Ground C	15	Rx Data In
4	+VCC _{TX}	16	Rx $\overline{\text{Data}}$ In
5	Ext. Data Threshold	17	Ground A
6	Int. Data Threshold	18	Case
7	Rx Data Out	19	-VEER _X
8	Strobe	20	+VCC _L (+5V)
9	Ground B	21	Tx Inhibit
10	Rx $\overline{\text{Data}}$ Out	22	Tx Data In
11	Int. $\overline{\text{Data}}$ Threshold	23	Tx $\overline{\text{Data}}$ In
12	Ext. $\overline{\text{Data}}$ Threshold	24	-VEET _X

Table I – CT3232 Pin Out Description (Plug-In & Flat Package)



Ordering Information

Model Number	Screening	Package
CT3232M	Military Temperature, -55°C to +125°C, Screened to the Individual Test Methods of MIL-STD-883	Plug-In
CT3232MFP		Flat Package

Specifications subject to change without notice

The information contained in this data sheet is believed to be accurate; however, Aeroflex Laboratories Incorporated assumes no responsibility for its use, and no license or rights are granted by implication or otherwise in connection therewith.

Aeroflex Circuit Technology
35 South Service Road
Plainview New York 11803
www.aeroflex.com

Telephone: (516) 694-6700
FAX: (516) 694-6715
Toll Free Inquiries: (800) THE-1553
E-Mail: sales-act@aeroflex.com