

Features

- Super Mobile TFT-LCD (HR*-TFT)
- 9.8 cm [3.9"] QVGA format
- Low power consumption (92 mW)
- *...High Reflection
- Thin structure (645 μm) & lightweight (95 g) utilizing ACF-COG technology
- Built in CCFT front light system
- Touch Panel

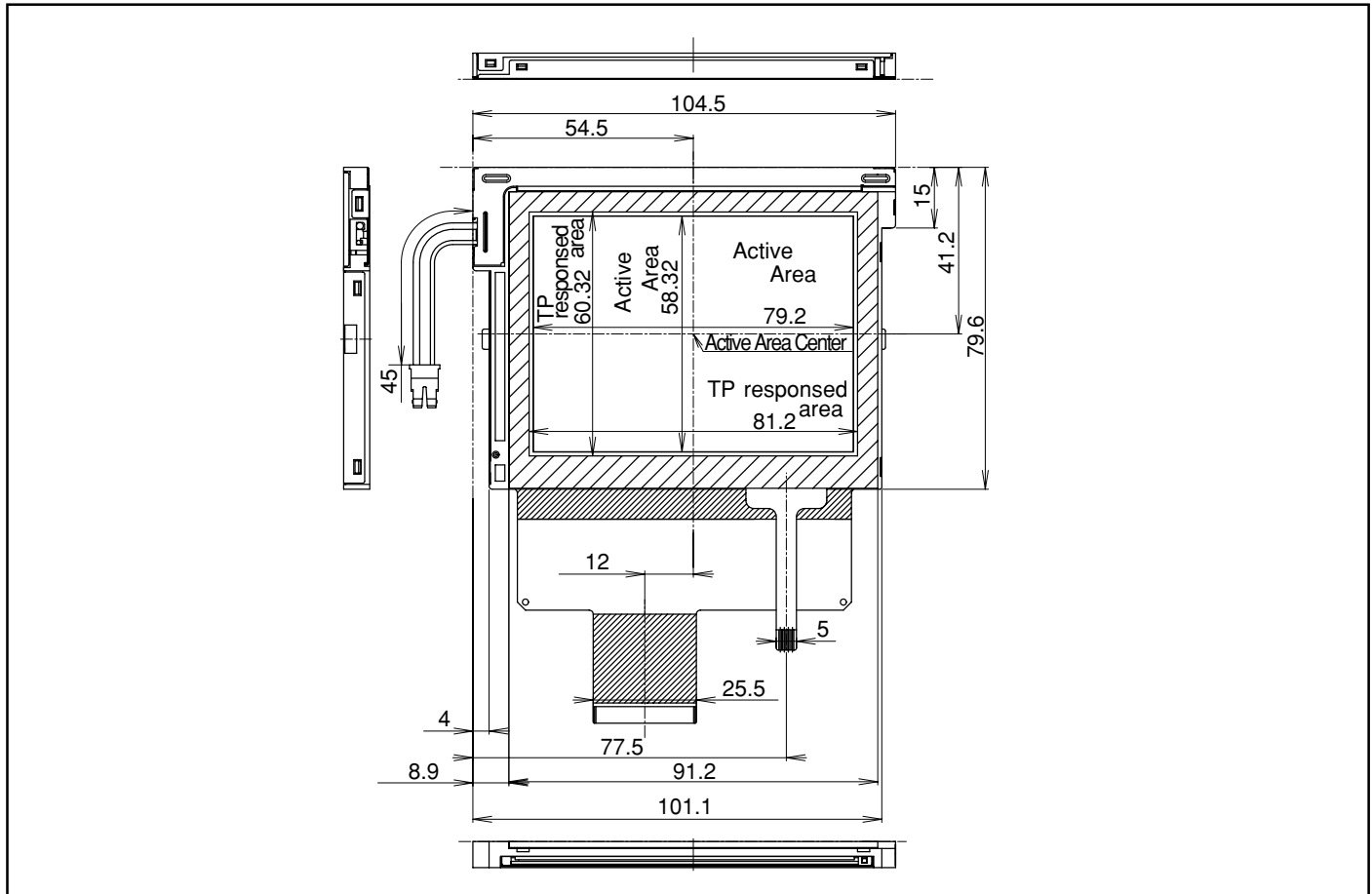
Specifications

Parameter		Unit
Display size	9.8 [3.9]	cm ["]
Dot format (H x V)	320 x RGB x 240	dot
Dot pitch (H x V)	0.083 x 0.243	mm
Active area (H x V)	79.2 x 58.3	mm
Color	262 144	color
Input signal	6-bit digital RGB	-
Viewing direction	12:00	-
Backlight type	-	-

Parameter		Unit
Brightness	40 (FL)	cd/m ²
Contrast ratio	11 : 1 (FL)	-
Power consumption	92	mW
Outline dimensions (W x H x D)	104.5 x 79.6 x 6.45	mm
Weight	95	g
Operating temperature	0 to +50	°C
Storage temperature	-25 to +70	°C

Outline Dimensions

unit : mm



In the absence of confirmation by device specification sheets, SHARP takes no responsibility for any defects that may occur in using any SHARP devices shown in catalogs, data books, etc. Contact SHARP in order to obtain the latest device specification sheets before using any SHARP device. Specifications are subject to change without notice for improvement.