

# SHINDENGEN

## General Purpose Rectifiers

SIL Bridges

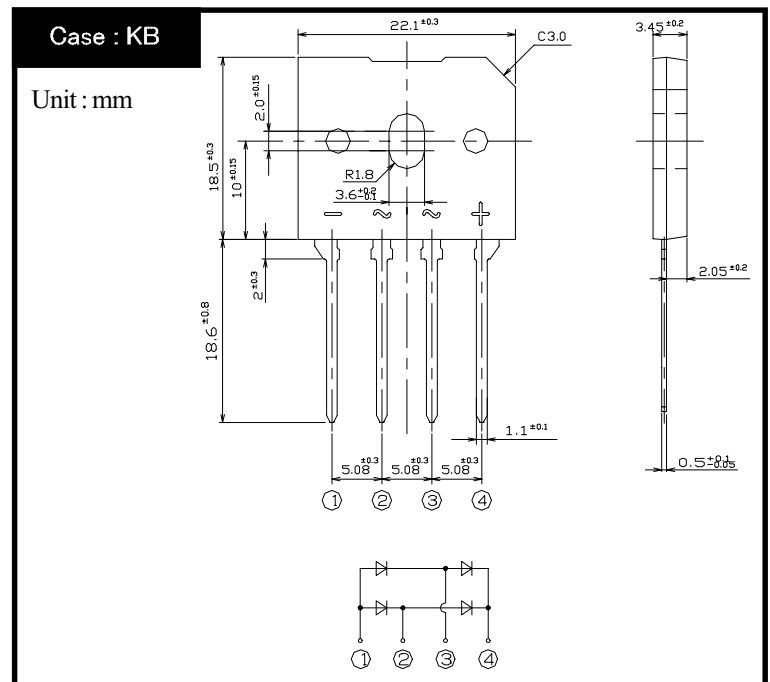
# U6KBA80R

## 800V 6A

### APPLICATION

- Monitor
- TV
- Audio equipment
- Printer
- SMPS
- Adapter for notebook PC
- Power supply for desktop PC

### OUTLINE DIMENSIONS



### RATINGS

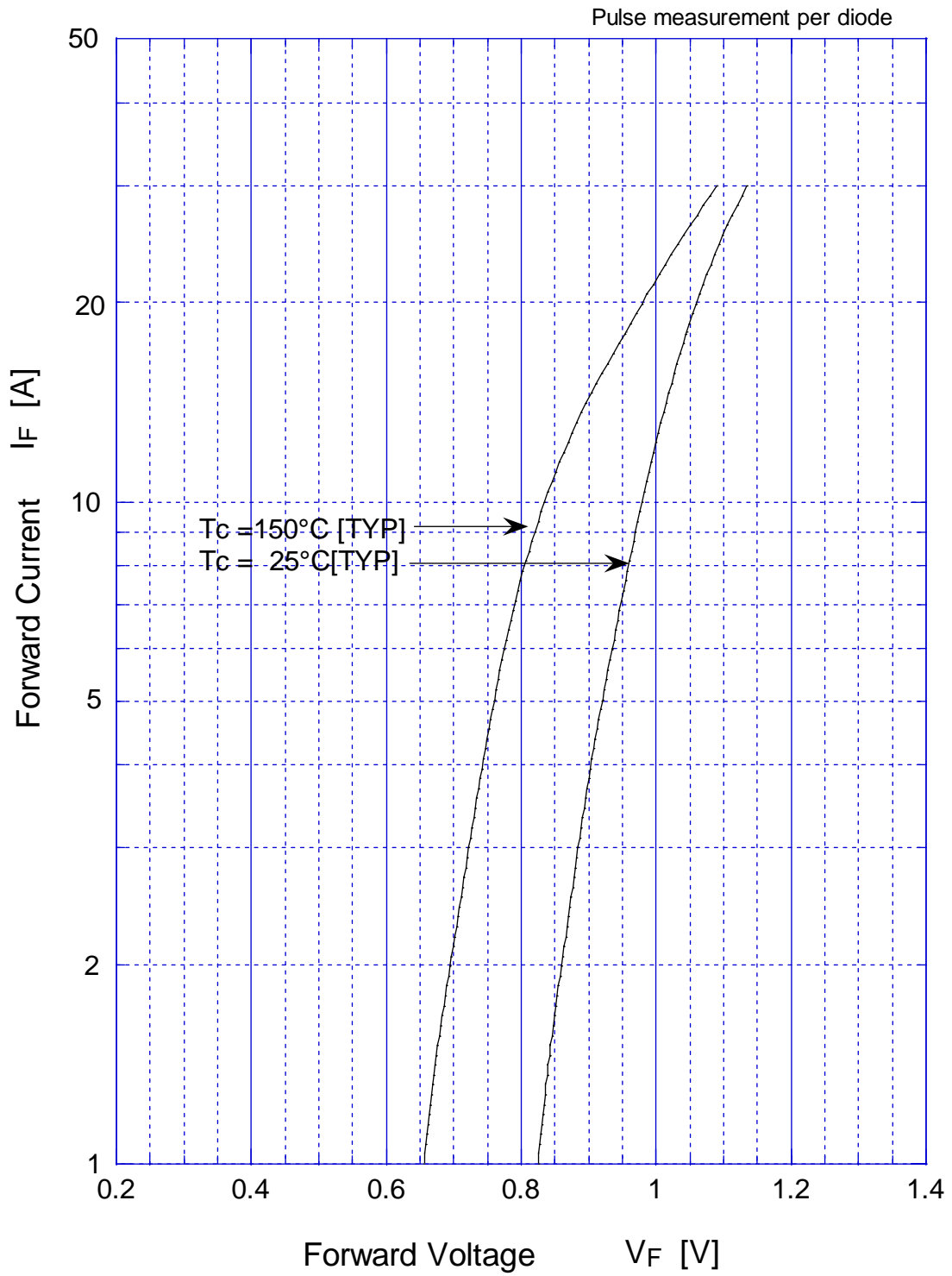
Absolute Maximum Ratings (If not specified, Tc=25°C)

Item	Symbol	Conditions	Ratings	Unit
Storage Temperature	Tstg		-55 to 150	°C
Operating Junction Temperature	Tj		150	°C
Maximum Reverse Voltage	V <sub>RM</sub>		800	V
Average Rectified Forward Current	I <sub>O</sub>	50Hz sine wave, R-load, On glass-epoxy substrate Ta=25°C	3.5	A
		50Hz sine wave, R-load Tc=98°C	6.0	
Peak Surge Forward Current	I <sub>FSM</sub>	60Hz sine wave, Non-repetitive 1cycle peak value, Tj=25°C	200	A
Current Squared Time	I <sup>2</sup> t	1ms ≤ t < 10ms Tj=25°C, Rating of per diode	90	A <sup>2</sup> s
Dielectric Strength	V <sub>dis</sub>	Terminals to case, AC 1 minute	2.0	kV
Mounting Torque	TOR	(Recommended torque: 0.5N·m)	0.8	N·m

Electrical Characteristics (If not specified, Tc=25°C)

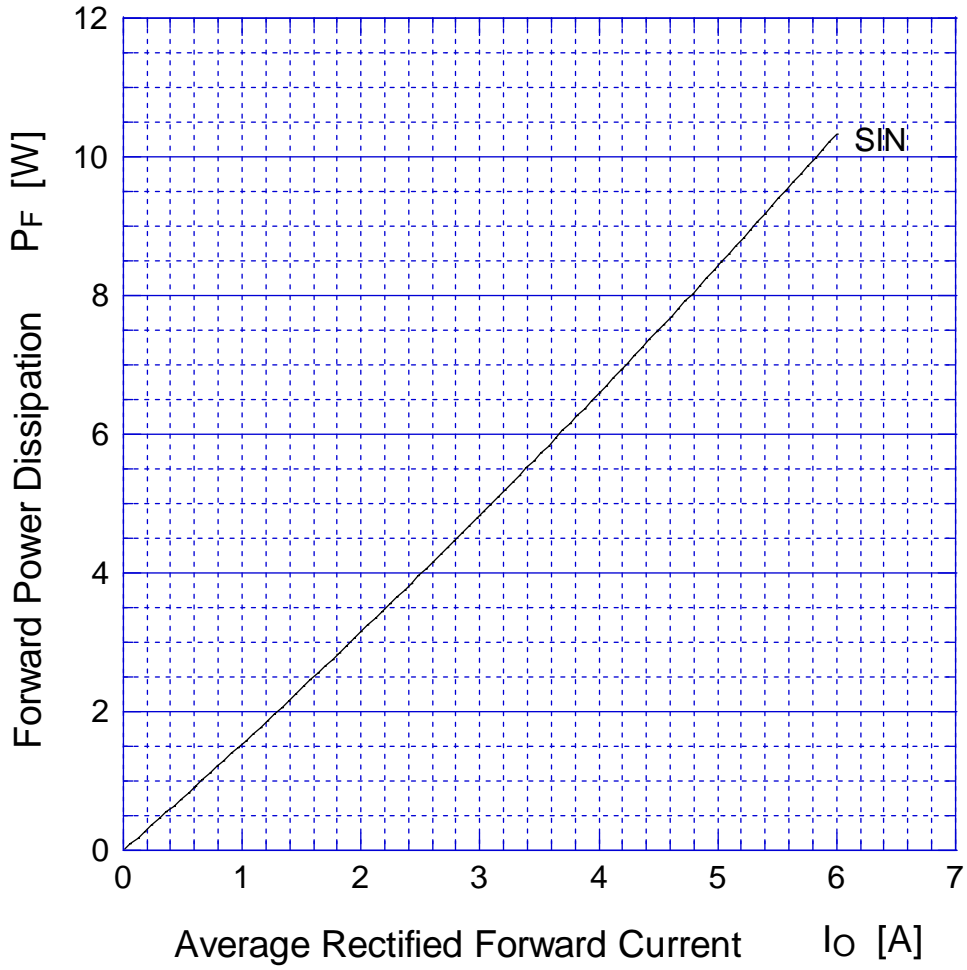
Item	Symbol	Conditions	Ratings	Unit
Forward Voltage	V <sub>F</sub>	I <sub>F</sub> =6A, Pulse measurement, Rating of per diode	Max 1.0	V
Reverse Current	I <sub>R</sub>	V <sub>R</sub> =800V, Pulse measurement, Rating of per diode	Max 10	μA
Thermal Resistance	θ <sub>jl</sub>	junction to lead, On glass-epoxy substrate	Max 4.0	°C/W
	θ <sub>ja</sub>	junction to ambient, On glass-epoxy substrate	Max 22	
	θ <sub>jc</sub>	junction to case	Max 5.0	

# U6KBA80R Forward Voltage



# U6KBA80R Forward Power Dissipation

---

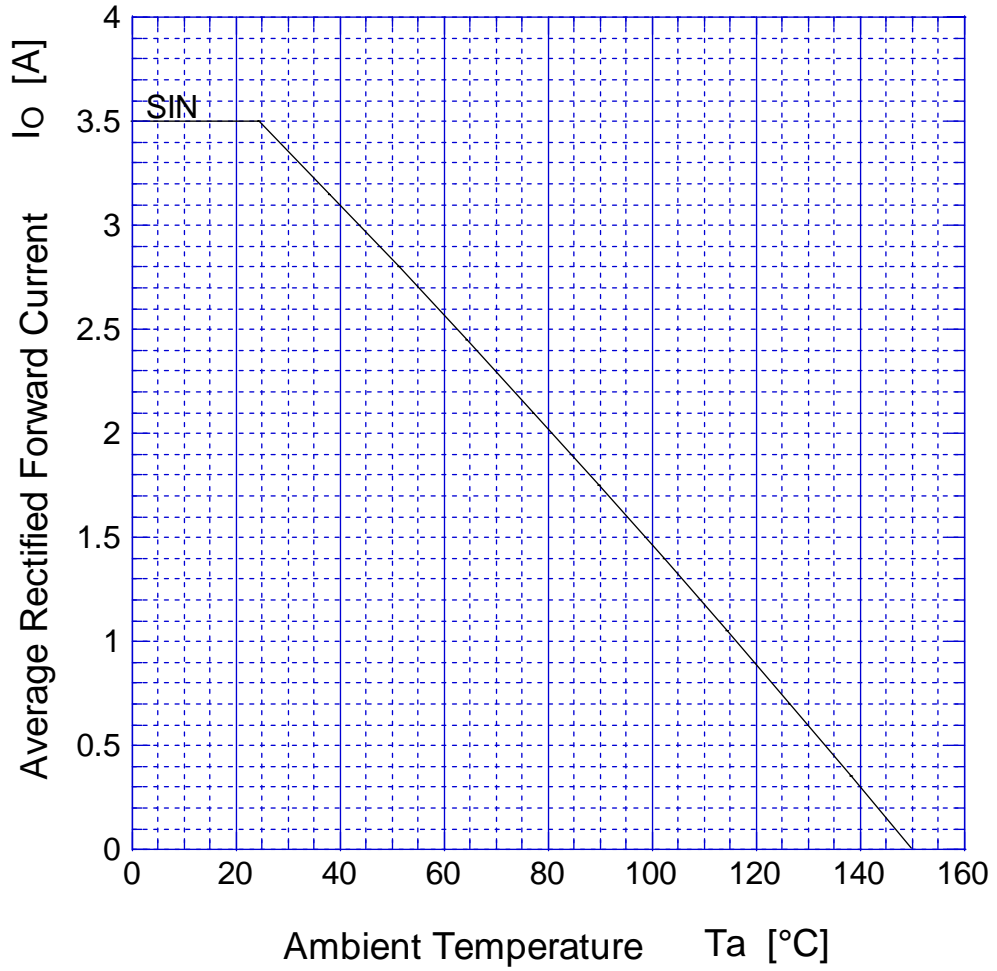


$T_j = 150^\circ\text{C}$

U6KBA80R

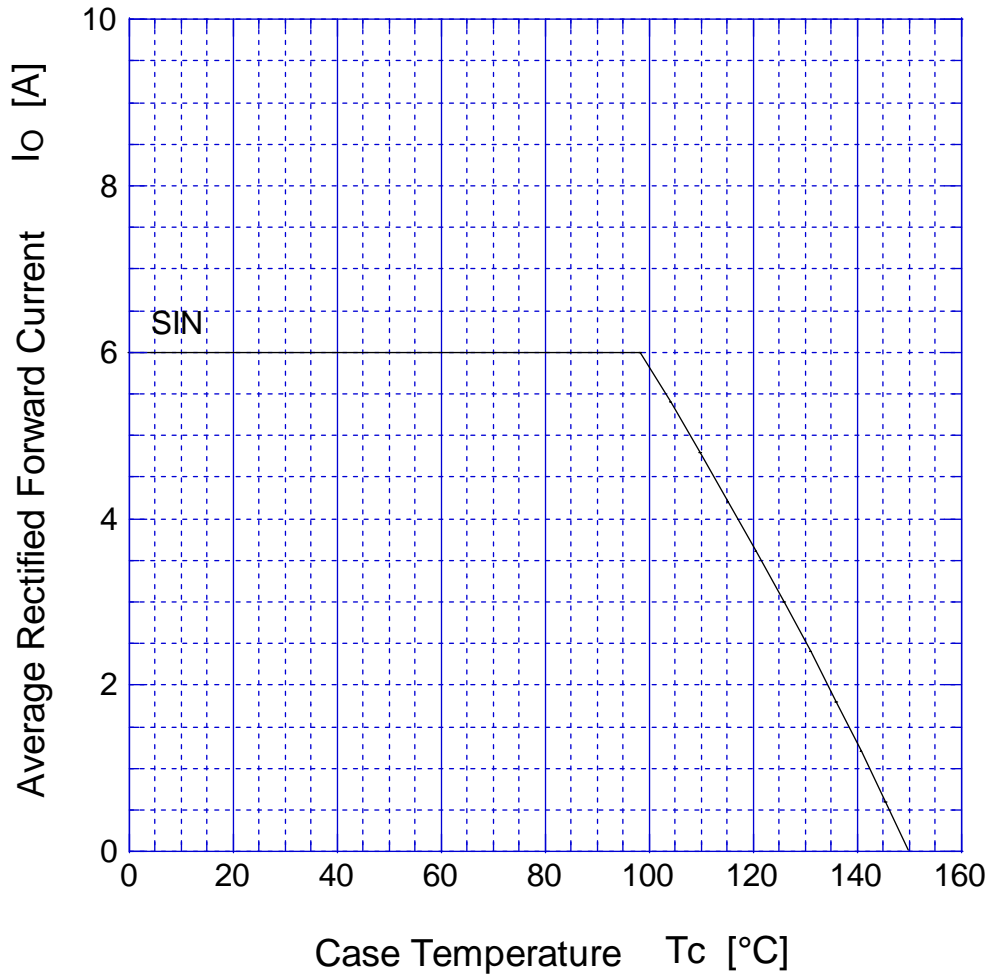
Derating Curve

Conductor area 172.6cm<sup>2</sup>



U6KBA80R

Derating Curve



# U6KBA80R Peak Surge Forward Capability

