

IS1U60/IS1U60L

Sensors with 1-Package Design of Remote Control Detecting Functions owing to OPIC

■ Features

- 1-package design owing to adoption of OPIC
- Compact
(Volume : About 1/8 compared with **GP1U58X**)
- B.P.F. (Band Pass Frequency) : (TYP. 38kHz)
- Aspherical lens

■ Applications

1. Audio equipment
2. Cameras

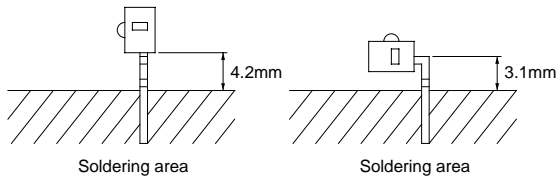
■ Absolute Maximum Ratings

(Ta=25°C)

Parameter	Symbol	Rating	Unit
Supply voltage	V _{CC}	0 to 6.0	V
*1 Operating temperature	T _{opr}	- 10 to + 60	°C
Storage temperature	T _{stg}	- 20 to + 70	°C
*2 Soldering temperature	T _{sol}	260	°C

*1 No dew condensation is allowed.

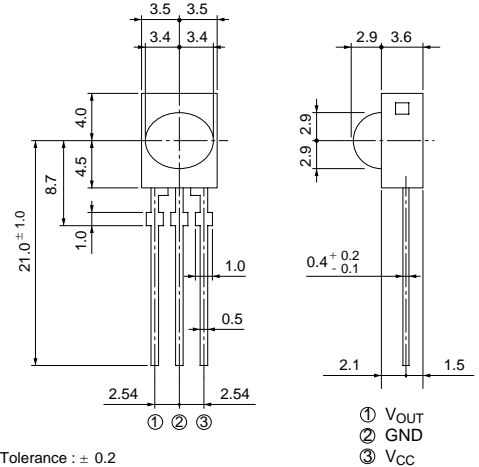
*2 For 5 seconds



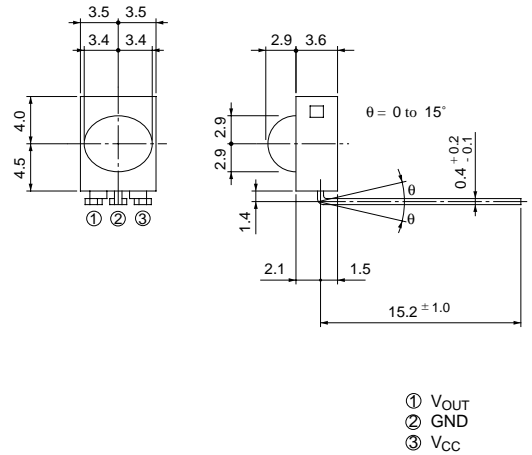
■ Outline Dimensions

(Unit : mm)

IS1U60



IS1U60L



* "OPIC" (Optical IC) is a trademark of the SHARP Corporation.

An OPIC consists of a light-detecting element and signal-processing circuit integrated onto a single chip.

■ Recommended Operating Conditions

Parameter	Symbol	Recommended operating conditions	Unit
Operating supply voltage	V _{CC}	4.7 to 5.3	V

Electrical Characteristics

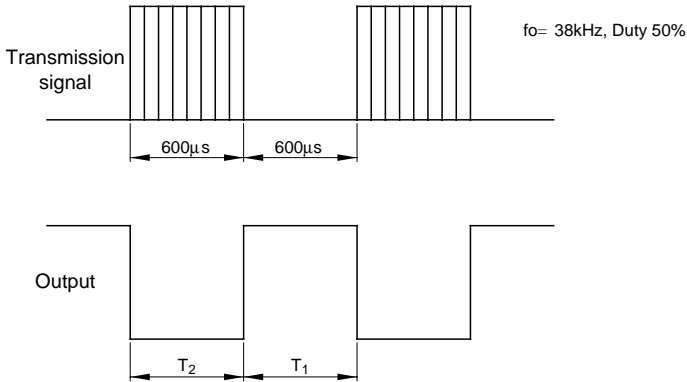
(Ta=25°C, Vcc = +5V)

Parameter	Symbol	Conditions	MIN.	TYP.	MAX.	Unit
Dissipation current	I _{CC}	No input light	-	2.8	4.5	mA
High level output voltage	V _{OH}	*3, Output terminal OPEN	V _{CC} - 0.2	-	-	V
Low level output voltage	V _{OL}	*3, *4	-	0.45	0.6	V
High level pulse width	T ₁	*3	400	-	800	μs
Low level pulse width	T ₂		400	-	800	μs
B.P.F. center frequency	f ₀		-	38	-	kHz
Linear ultimate distance	L	φ, θ = 0°, E _e < 10 lx	5.0	-	-	m
Linear ultimate distance	L ₁	φ = ± 30° (θ = 0°) θ = ± 15° (φ = 0°) E _e < 10 lx	3.0	-	-	m

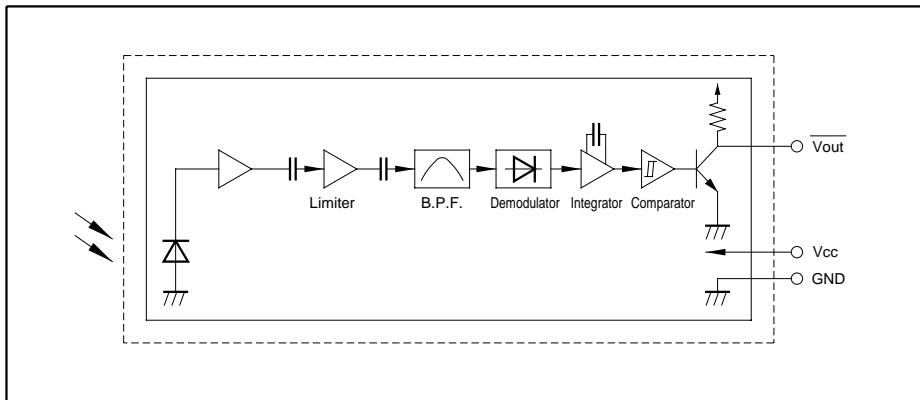
*3 The burst wave as shown in the following figure shall be transmitted.

*4 Pull-up resistance : 2.2kΩ

*5 By SHARP transmitter



Internal Block Diagram



■ Performance

Using the transmitter shown in Fig. 1, the output signal of the light detecting unit is good enough to meet the following items in the standard optical system in Fig. 2.

(1) Linear reception distance characteristics

When $L=0.2$ to 5 m, $E_e < 10$ lx (*4) and $\phi = 0^\circ$ in Fig. 2, the output signal shall meet the electrical characteristics in the attached list.

(2) Sensitivity angle reception distance characteristics

When $L=0.2$ to 3 m, $E_e < 10$ lx (*4) and $\phi \leq 30^\circ$ in the direction X and $\theta = 0^\circ$ in the direction Y in Fig. 2, the output signal shall meet the electrical characteristics in the attached list. Further, the electrical characteristics shall be met when $L=0.2$ to 5 m, $E_e < 10$ lx (*4) and $\phi = 0^\circ$ in the direction X and $\theta \leq 15^\circ$ in the direction Y.

*4 It refers to detector face illuminance.

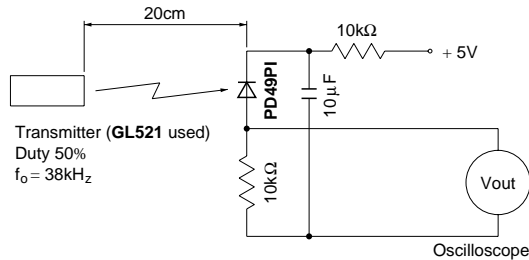


Fig. 1 Transmitter

In the above figure, the transmitter should be set so that the output V_{out} can be 40mV_{p-p} .

However, the PD49PI to be used here should be of the short-circuit current $I_{SC} = 2.6\mu\text{A}$ at $E_v = 100$ lx.

(E_v is an illuminance by CIE standard light source A (tungsten lamp).)

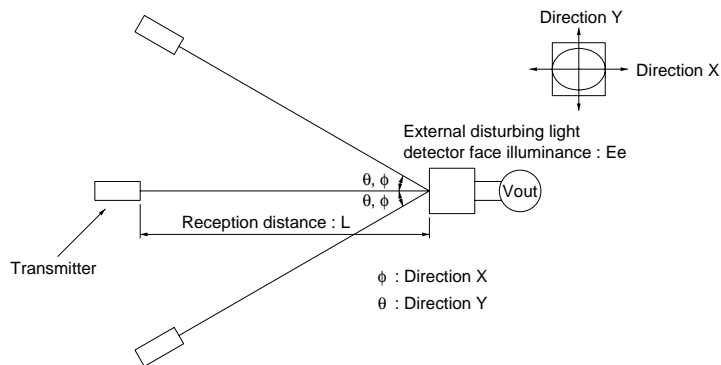


Fig. 2 Standard optical system

Fig. 1 B.P.F. Frequency Characteristics (TYP.)

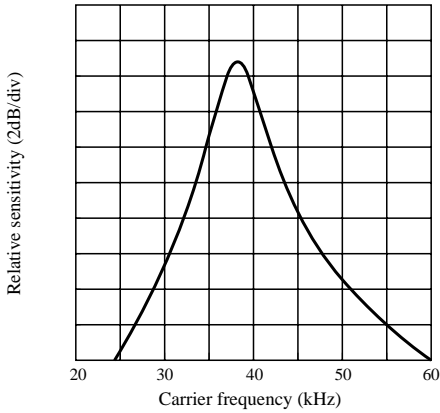


Fig. 2 Sensitivity Angle (Direction X) Characteristics (TYP.) for Reference

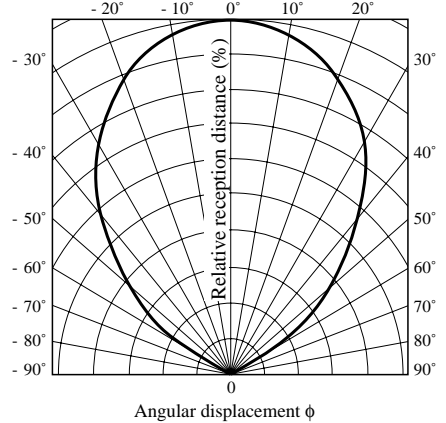


Fig. 3 Sensitivity Angle (Direction Y) Characteristics (TYP.) for Reference

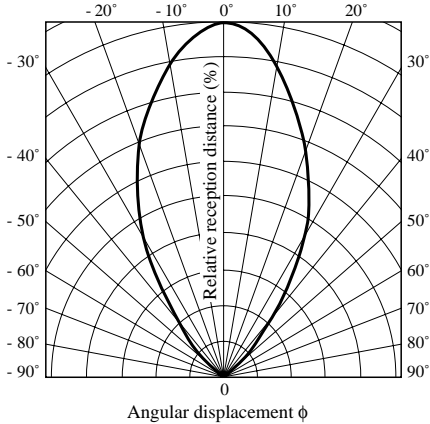


Fig. 4 Relative Reception Distance vs. Ambient Temperature (TYP.) for Reference

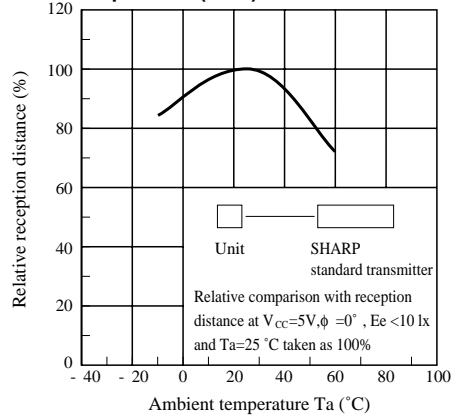
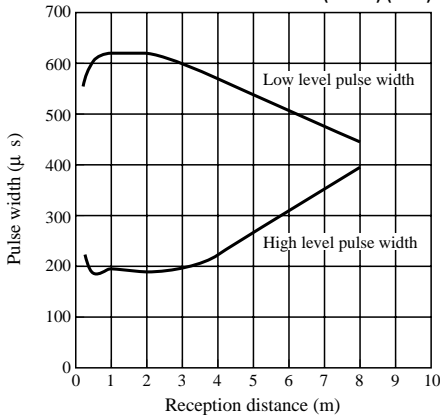


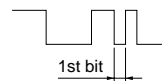
Fig. 5 AEHA (Japan Association of Electrical Home Appliances) Code Pulse Width Characteristics (1st Bit) (TYP.) for Reference



(Conditions)

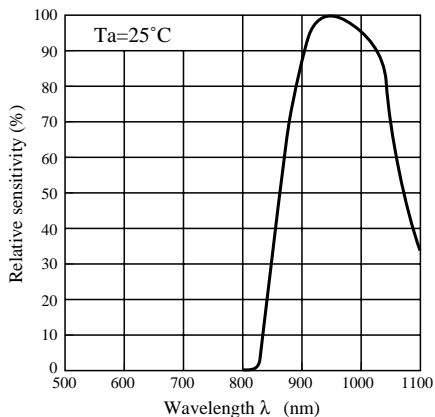
Unit AEHA code generating transmitter

$V_{CC}=5V, T_a=RT, \phi = 0^\circ, E_e < 10 \text{ lx}$



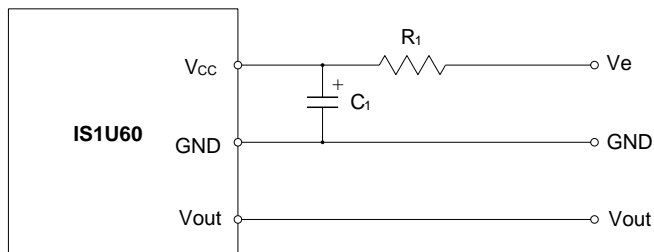
$T = 430 \mu\text{s}$

Fig. 6 Spectral Sensitivity for Reference



■ Precautions for Operation

- (1) Use the light emitting unit (remote control transmitter), in consideration of performance, characteristics, operating conditions of light emitting device and the characteristics of the light detecting unit.
- (2) Pay attention to a malfunction of the light detecting unit when the surface is stained with dust and refuse.
Care must be taken not to touch the light detector surface.
 - Conduct cleaning as follows.
- (3) Cleaning
 - Solvent dip cleaning : Solvent temperature of 45 °C max., dipping time : Within 3 minutes
 - Ultrasonic cleaning : Elements are affected differently depending on the size of cleaning bath, ultrasonic output, time, size of PWB and mounting method of elements.
Conduct trial cleaning on actual operating conditions in advance to make sure that no problem results.
 - Use the following solvents only.
Solvents : Ethyl alcohol, methyl alcohol or isopropyl alcohol
- (4) To avoid the electrostatic breakdown of IC, handle the unit under the condition of grounding with human body, soldering iron, etc.
- (5) Do not apply unnecessary force to the terminal.
- (6) Example of recommended external circuit (mount outer mounting parts near the sensor as much as possible.)



(Circuit constant)

$$R_1 = 47\Omega \pm 5\%$$

$$C_1 = 47\mu\text{F}$$