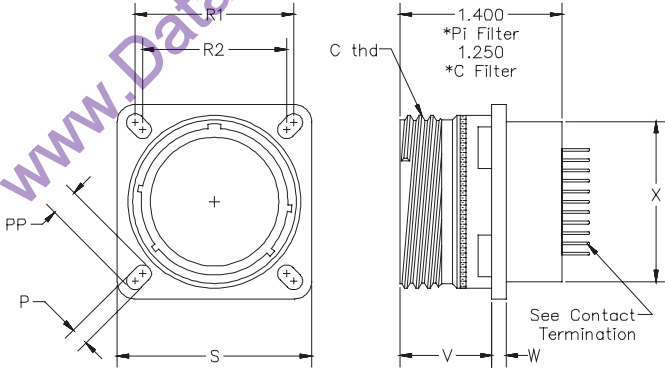
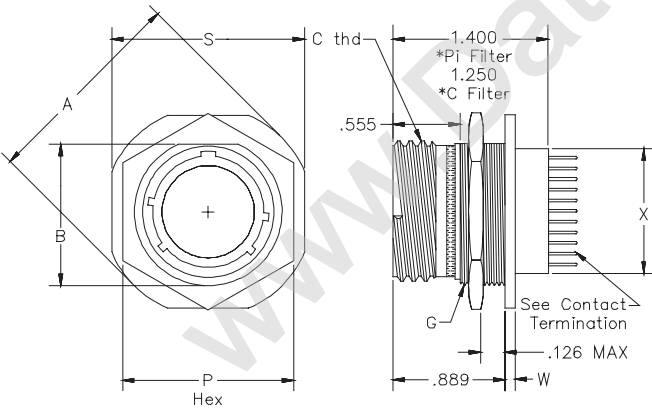


D38999/20 Box Mount Receptacle



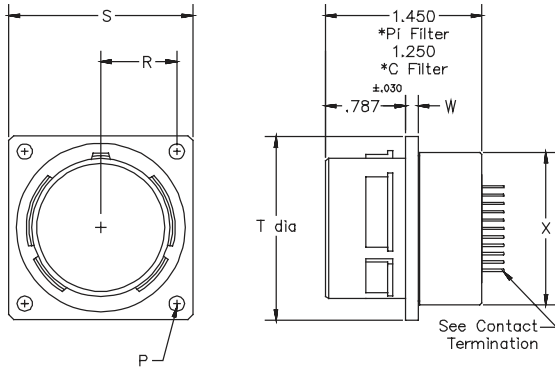
DIMENSIONS									
Shell Size	C Thread .1 Pitch .3 Lead	P ±.008	R1 BSC	R2 BSC	V Max	W Max	X Max	PP Max ±.008	S + .012
9	0.625	0.128	.719	.564	.820	.098	.500	.194	.937
11	0.750		.812	.719			.620		1.031
13	0.875		.906	.812			.740		1.126
15	1.000		.969	.906			.890		1.220
17	1.188		1.062	.969			1.000		1.311
19	1.250	1.156	1.062	1.120	1.437				
21	1.375	1.250	1.156	1.250	1.563				
23	1.500	0.154	1.375	1.250	.790	.126	1.390	.242	1.689
25	1.625		1.500	1.375			1.500		1.811

D38999/24 Jam Nut Receptacle



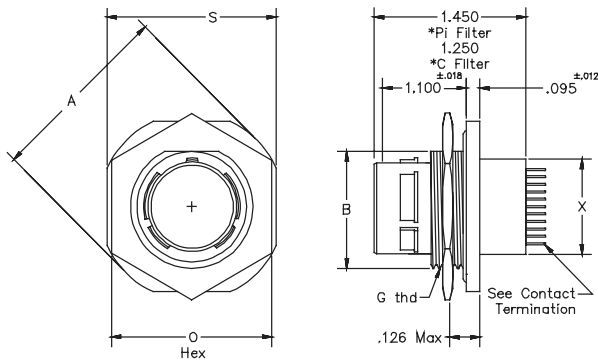
Dimensions								
Shell Size	A ±.012	B +.004 -.006	C Thread .1 Pitch .3 Lead	G Thread 6g .10R	P Hex	S ±.015	W +.028 - .004	X Max
9	1.189	.651	.625	M17x1	.945 .912	1.063	.087	.500
11	1.374	.751	.750	M20x1	1.062 .0983	1.252		.620
13	1.500	.938	.875	M25x1	1.260 1.234	1.374		.740
15	1.625	1.062	1.000	M28x1	1.456 1.424	1.500		.890
17	1.812	1.187	1.1875	M32x1	1.614 1.581	1.626		1.000
19	1.938	1.312	1.250	M35x1	1.811 1.781	1.811	.118	1.120
21	2.062	1.437	1.375	M38x1	1.937	2.063		1.250
23	2.188	1.562	1.500	M41x1	1.968	2.063		1.390
25	2.312	1.687	1.625	M44x1	1.938	2.189		1.500

D38999/40 Box Mount Receptacle

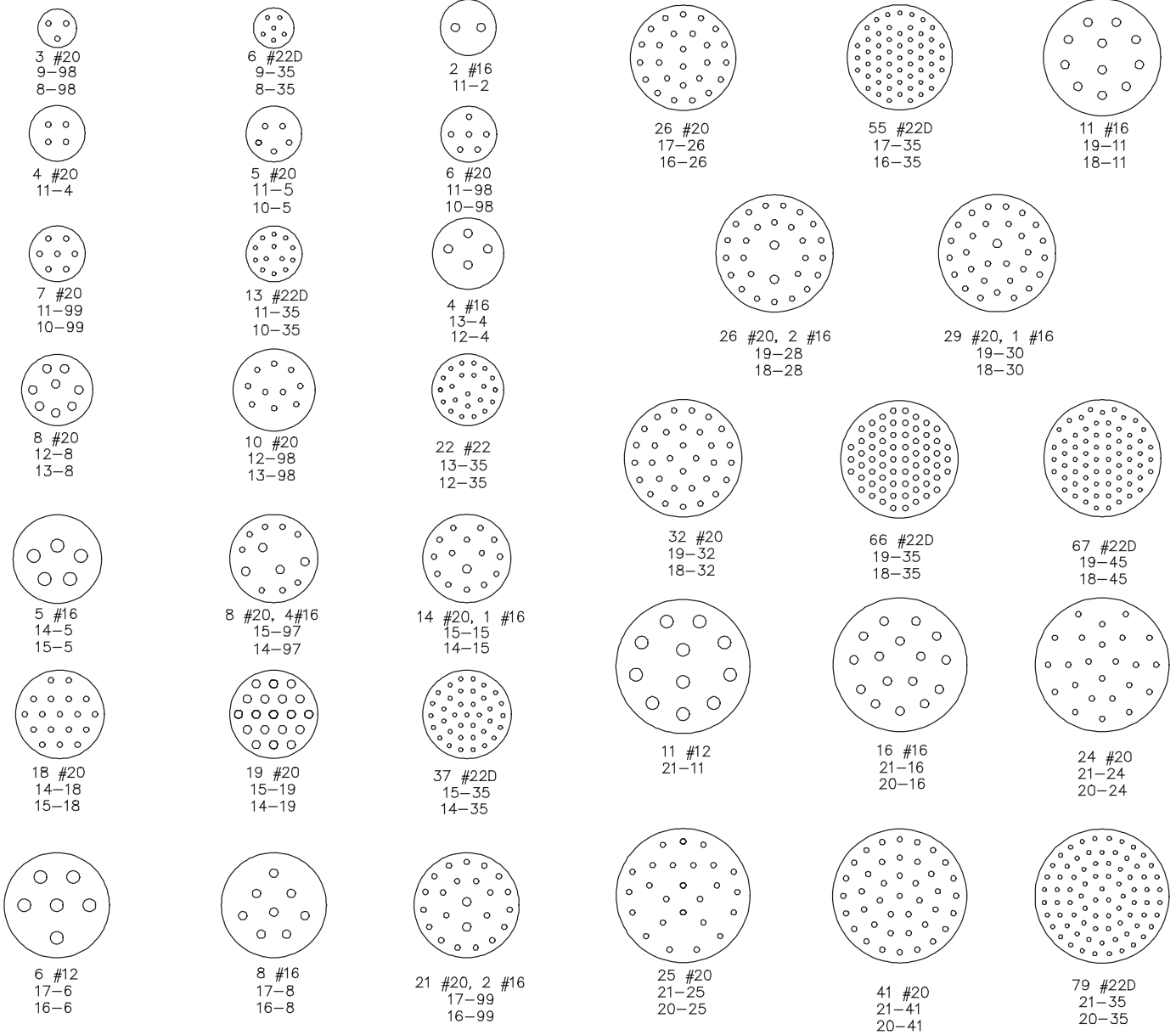


DIMENSIONS						
Shell Size	T	W	P	R	S	X
	$\pm .008$	$\pm .010$	$\pm .008$	BSC	$\pm .021$	Max
11	0.786	0.093	0.139	0.406	1.029	0.620
13	0.912			0.453	1.124	0.740
15	1.036			0.485	1.218	0.890
17	1.162			0.531	1.312	1.000
19	1.286			0.578	1.439	1.120
21	1.412	0.124	0.150	0.625	1.561	1.250
23	1.536			0.688	1.706	1.390
25	1.662			0.750	1.813	1.500

D38999/44 Jam Nut Receptacle



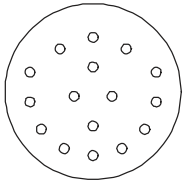
DIMENSIONS						
Shell Size	B	G	A Dia.	O	S	X
	Flat $\pm .004$	THD 6g 0.1R	$\pm .020$	Hex $\pm .013$	$\pm .020$	
11	0.938	M25x1	1.500	1.250	1.374	0.620
13	1.062	M28x1	1.622	1.405	1.5	0.740
15	1.1875	M31x1	1.749	1.600	1.622	0.890
17	1.318	M34x1	1.937		1.78	1.000
19	1.4375	M38x1	2.015	1.796	1.89	1.120
21	1.562	M41x1	2.138	1.954	2.016	1.250
23	1.6875	M44x1	2.268		2.138	1.390
25	1.812	M47x1	2.390		2.264	1.500



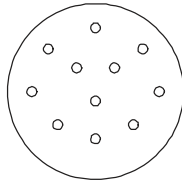
* Odd Numbered Shell Sizes Series I, III & IV, Even Numbered Shell Sizes Series II



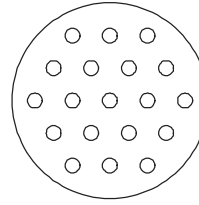
MIL-DTL-38999 INSERT ARRANGEMENTS



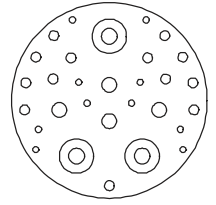
16 #16
23-97
22-97



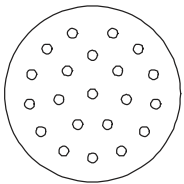
11 #16
23-99
22-99



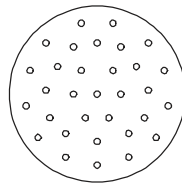
19 #12
25-19



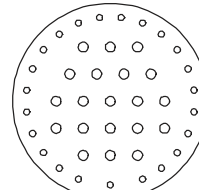
10 #20, 13 #16, 4 #12
3 #8 TWNAX
25-20



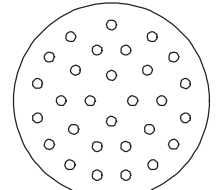
21 #16
23-21
22-21



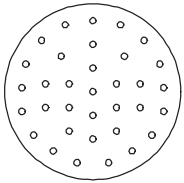
32 #20
23-32
22-32



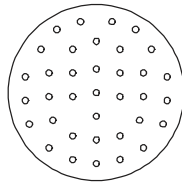
23 #20, 20 #16
25-43



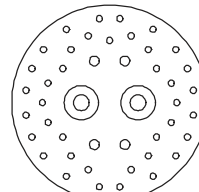
29 #16
25-29
24-29



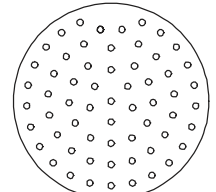
34 #20
23-34
22-34



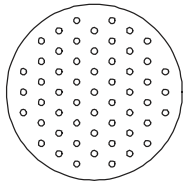
36 #20
23-36
22-36



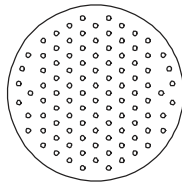
40 #20, 4 #16
2 #8 COAX
25-46



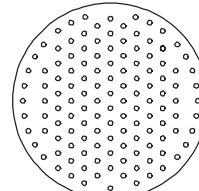
61 #20
25-61
24-61



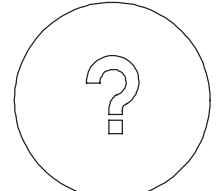
55 #20
23-55
22-55



100 #22D
23-35
22-35



128 #22D
25-35
24-35



Custom Layout*
XX-XX

* Consult Factory For Additional or Custom Layouts