

# Integrated Silicon Pressure Sensor On-Chip Signal Conditioned, Temperature Compensated and Calibrated

The MPX5700 series piezoresistive transducer is a state-of-the-art monolithic silicon pressure sensor designed for a wide range of applications, but particularly those employing a microcontroller or microprocessor with A/D inputs. This patented, single element transducer combines advanced micromachining techniques, thin-film metallization, and bipolar processing to provide an accurate, high level analog output signal that is proportional to the applied pressure.

## Features

- 2.5% Maximum Error over 0° to 85°C
- Ideally Suited for Microprocessor or Microcontroller-Based Systems
- Available in Absolute, Differential and Gauge Configurations
- Patented Silicon Shear Stress Strain Gauge
- Durable Epoxy Unibody Element

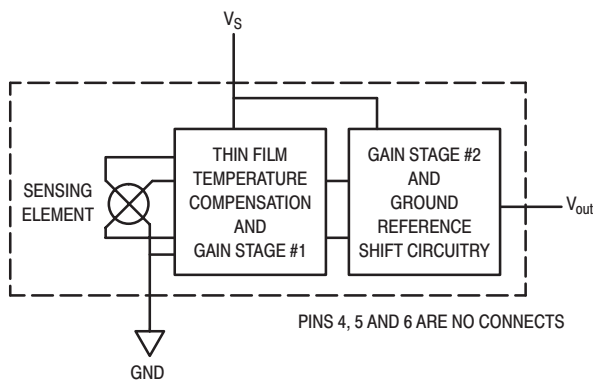
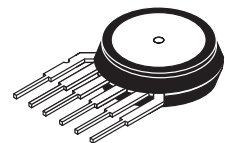


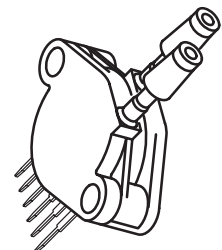
Figure 1. Fully Integrated Pressure Sensor Schematic

## MPX5700 SERIES

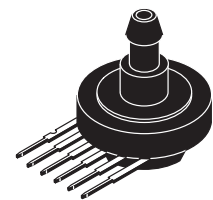
**INTEGRATED PRESSURE  
SENSOR**  
0 to 700 kPa (0 to 101.5 psi)  
15 to 700 kPa  
(2.18 to 101.5 psi)  
0.2 to 4.7 V OUTPUT



MPX5700D  
CASE 867



MPX5700DP  
CASE 867C



MPX5700AS  
CASE 867E

PIN NUMBER			
1	V <sub>out</sub>	4	N/C
2	Gnd	5	N/C
3	V <sub>S</sub>	6	N/C

NOTE: Pins 4, 5, and 6 are internal device connections. Do not connect to external circuitry or ground. Pin 1 is noted by the notch in the lead.



## MPX5700 SERIES

### MAXIMUM RATINGS<sup>(1)</sup>

Parametrics	Symbol	Value	Unit
Maximum Pressure <sup>(2)</sup> ( $P_2 \leq 1$ Atmosphere)	$P_{1\max}$	2800	kPa
Storage Temperature	$T_{\text{stg}}$	-40 to +125	°C
Operating Temperature	$T_A$	-40 to +125	°C

#### NOTES:

- Maximum Ratings apply to Case 867 only. Extended exposure at the specified limits may cause permanent damage or degradation to the device.
- This sensor is designed for applications where  $P_1$  is always greater than, or equal to  $P_2$ .  $P_2$  maximum is 500 kPa.

**OPERATING CHARACTERISTICS** ( $V_S = 5.0$  Vdc,  $T_A = 25^\circ\text{C}$  unless otherwise noted,  $P_1 > P_2$ . Decoupling circuit shown in Figure 4 required to meet electrical specifications.)

Characteristic	Symbol	Min	Typ	Max	Unit
Pressure Range <sup>(1)</sup> Gauge, Differential: MPX5700D Absolute: MPX5700A	$P_{\text{OP}}$	0 15	—	700 700	kPa
Supply Voltage <sup>(2)</sup>	$V_S$	4.75	5.0	5.25	Vdc
Supply Current	$I_o$	—	7.0	10	mAdc
Zero Pressure Offset <sup>(3)</sup> Gauge, Differential: Absolute	$V_{\text{off}}$	0.088 0.184	0.2	0.313 0.409	Vdc
Full Scale Output <sup>(4)</sup> (0 to 85°C)	$V_{\text{FSO}}$	4.587	4.7	4.813	Vdc
Full Scale Span <sup>(5)</sup> (0 to 85°C)	$V_{\text{FSS}}$	—	4.5	—	Vdc
Accuracy <sup>(6)</sup> (0 to 85°C)	—	—	—	$\pm 2.5$	% $V_{\text{FSS}}$
Sensitivity	V/P	—	6.4	—	mV/kPa
Response Time <sup>(7)</sup>	$t_R$	—	1.0	—	ms
Output Source Current at Full Scale Output	$I_{O+}$	—	0.1	—	mAdc
Warm-Up Time <sup>(8)</sup>	—	—	20	—	ms

#### NOTES:

- 1.0 kPa (kiloPascal) equals 0.145 psi.
- Device is ratiometric within this specified excitation range.
- Offset ( $V_{\text{off}}$ ) is defined as the output voltage at the minimum rated pressure.
- Full Scale Output ( $V_{\text{FSO}}$ ) is defined as the output voltage at the maximum or full rated pressure.
- Full Scale Span ( $V_{\text{FSS}}$ ) is defined as the algebraic difference between the output voltage at full rated pressure and the output voltage at the minimum rated pressure.
- Accuracy (error budget) consists of the following:
  - Linearity: Output deviation from a straight line relationship with pressure over the specified pressure range.
  - Temperature Hysteresis: Output deviation at any temperature within the operating temperature range, after the temperature is cycled to and from the minimum or maximum operating temperature points, with zero differential pressure applied.
  - Pressure Hysteresis: Output deviation at any pressure within the specified range, when this pressure is cycled to and from the minimum or maximum rated pressure, at 25°C.
  - TcSpan: Output deviation over the temperature range of 0° to 85°C, relative to 25°C.
  - TcOffset: Output deviation with minimum rated pressure applied, over the temperature range of 0° to 85°C, relative to 25°C.
  - Variation from Nominal: The variation from nominal values, for Offset or Full Scale Span, as a percent of  $V_{\text{FSS}}$ , at 25°C.
- Response Time is defined as the time for the incremental change in the output to go from 10% to 90% of its final value when subjected to a specified step change in pressure.
- Warm-up Time is defined as the time required for the device to meet the specified output voltage after the pressure has been stabilized.

### MECHANICAL CHARACTERISTICS

Characteristics	Typ	Unit
Weight, Basic Element (Case 867)	4.0	grams

ON-CHIP TEMPERATURE COMPENSATION, CALIBRATION AND SIGNAL CONDITIONING

Figure 3 illustrates the Differential/Gauge basic chip carrier (Case 867). A fluorosilicone gel isolates the die surface and wire bonds from the environment, while allowing the pressure signal to be transmitted to the sensor diaphragm. (For use of the MPX5700D in a high pressure, cyclic application, consult the factory.)

The MPX5700 series pressure sensor operating characteristics, and internal reliability and qualification tests are based on use of dry air as the pressure media. Media, other than dry air, may have adverse effects on sensor performance and long-term reliability. Contact the factory for information

regarding media compatibility in your application.

Figure 2 shows the sensor output signal relative to pressure input. Typical, minimum, and maximum output curves are shown for operation over a temperature range of 0° to 85°C using the decoupling circuit shown in Figure 4. The output will saturate outside of the specified pressure range.

Figure 4 shows the recommended decoupling circuit for interfacing the output of the integrated sensor to the A/D input of a microprocessor or microcontroller. Proper decoupling of the power supply is recommended.

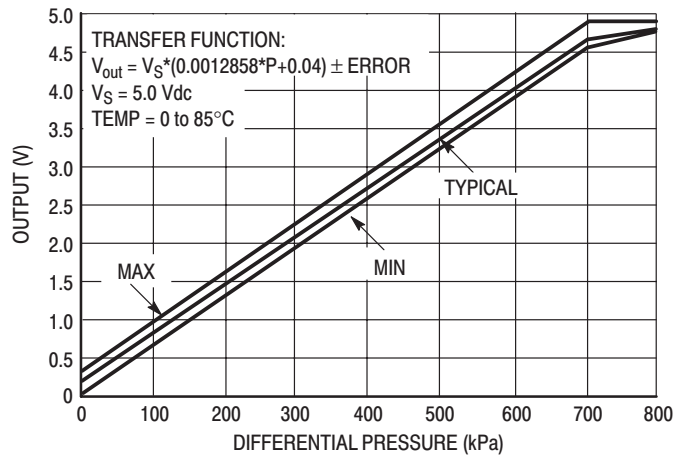


Figure 2. Output versus Pressure Differential

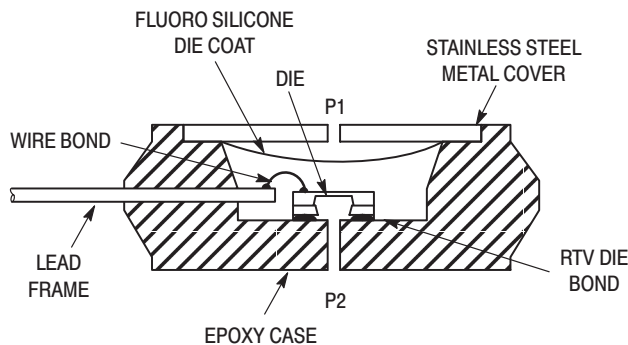


Figure 3. Cross-Sectional Diagram (Not to Scale)

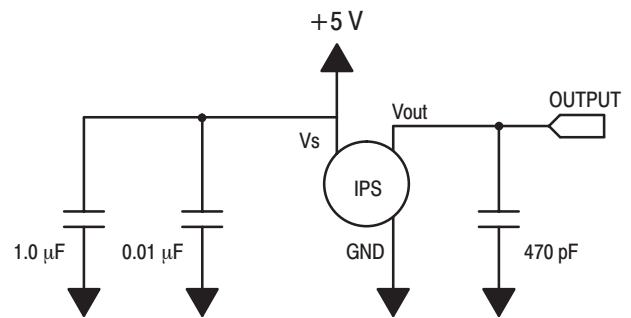


Figure 4. Recommended power supply decoupling and output filtering.

For additional output filtering, please refer to Application Note AN1646.

## MPX5700 SERIES

### PRESSURE (P1)/VACUUM (P2) SIDE IDENTIFICATION TABLE

Motorola designates the two sides of the pressure sensor as the Pressure (P1) side and the Vacuum (P2) side. The Pressure (P1) side is the side containing fluoro silicone gel which protects the die from harsh media. The Motorola MPX

pressure sensor is designed to operate with positive differential pressure applied,  $P1 > P2$ .

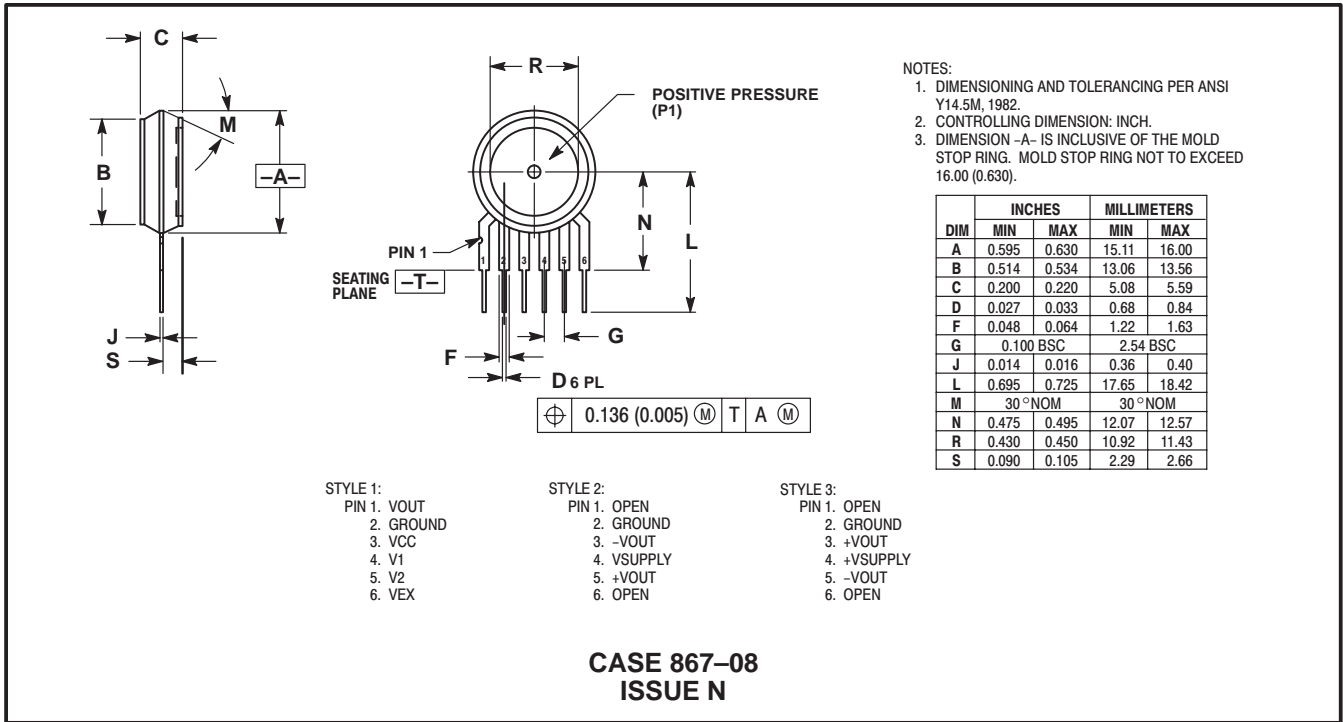
The Pressure (P1) side may be identified by using the table below:

Part Number	Case Type	Pressure (P1) Side Identifier
MPX5700D, MPX5700A	867	Stainless Steel Cap
MPX5700DP	867C	Side with Part Marking
MPX5700GP, MPX5700AP	867B	Side with Port Attached
MPX5700GS, MPX5700AS	867E	Side with Port Attached

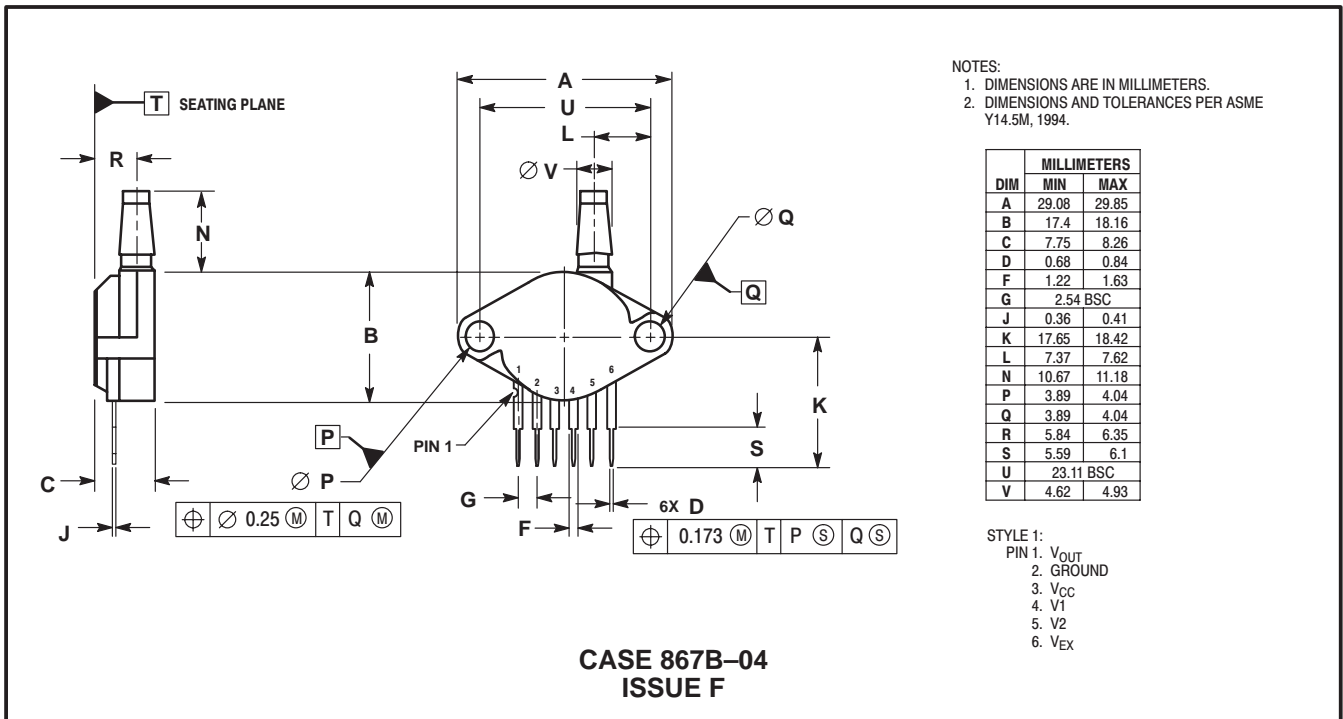
### ORDERING INFORMATION

Device Type	Options	Case Type	MPX Series	
			Order Number	Device Marking
Basic Element	Differential	867	MPX5700D	MPX5700D
	Absolute	867	MPX5700A	MPX5700A
Ported Elements	Differential Dual Ports	867C	MPX5700DP	MPX5700DP
	Gauge	867B	MPX5700GP	MPX5700GP
	Gauge, Axial	867E	MPX5700GS	MPX5700D
	Absolute	867B	MPX5700AP	MPX5700AP
	Absolute, Axial	867E	MPX5700AS	MPX5700A

PACKAGE DIMENSIONS

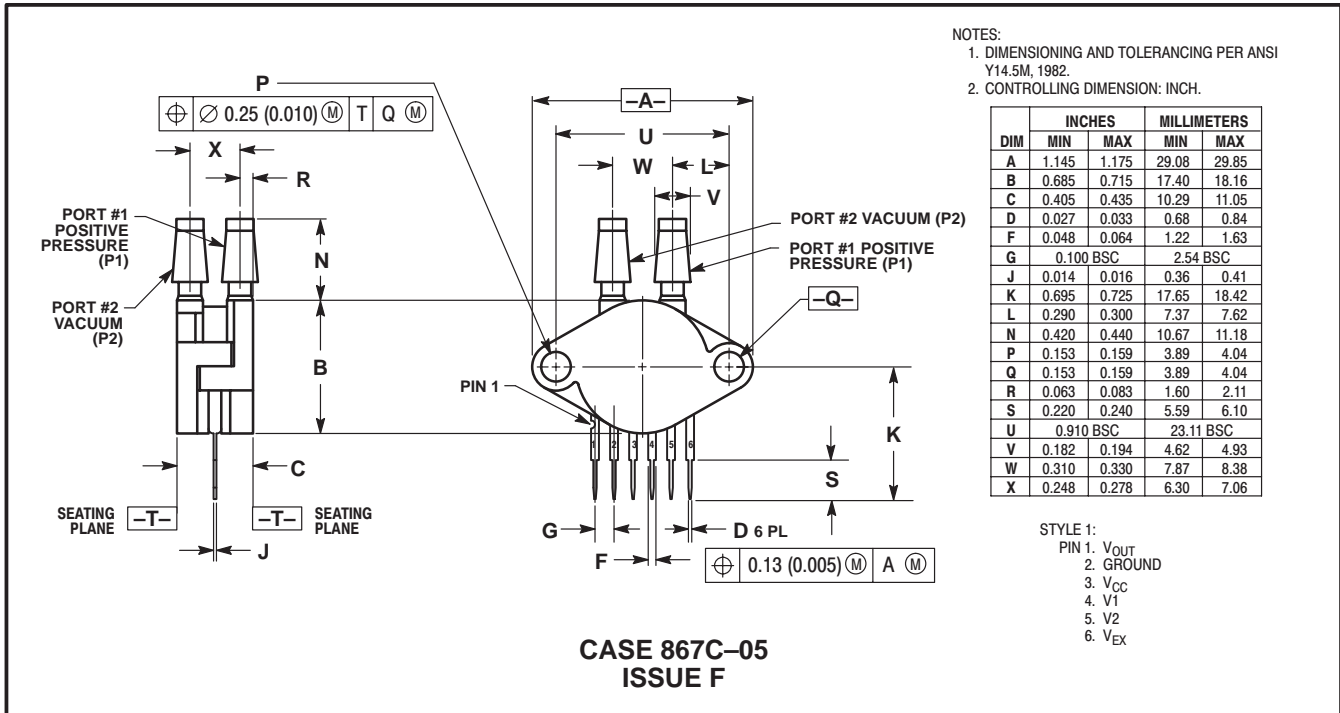


BASIC ELEMENT

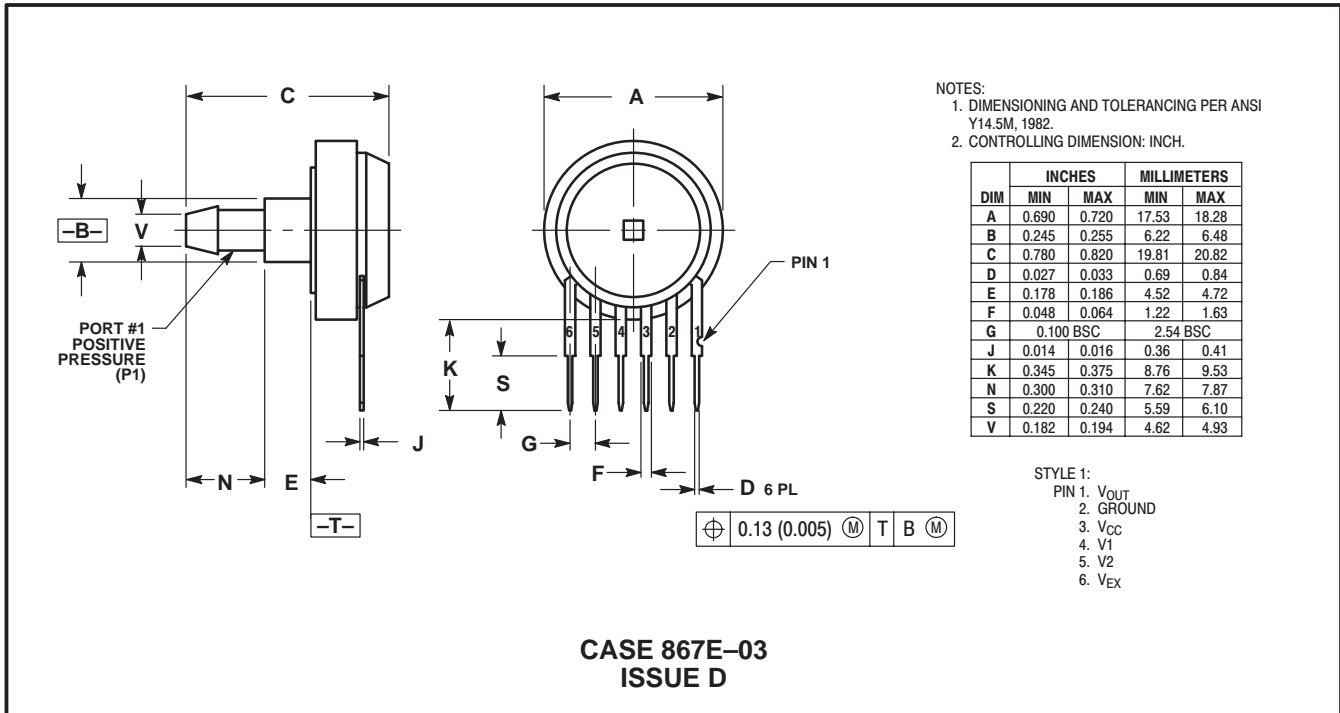


PRESSURE SIDE PORTED (AP, GP)


PACKAGE DIMENSIONS—CONTINUED



PRESSURE AND VACUUM SIDES PORTED (DP)



PRESSURE SIDE PORTED (AS, GS)

Motorola reserves the right to make changes without further notice to any products herein. Motorola makes no warranty, representation or guarantee regarding the suitability of its products for any particular purpose, nor does Motorola assume any liability arising out of the application or use of any product or circuit, and specifically disclaims any and all liability, including without limitation consequential or incidental damages. "Typical" parameters which may be provided in Motorola data sheets and/or specifications can and do vary in different applications and actual performance may vary over time. All operating parameters, including "Typicals" must be validated for each customer application by customer's technical experts. Motorola does not convey any license under its patent rights nor the rights of others. Motorola products are not designed, intended, or authorized for use as components in systems intended for surgical implant into the body, or other applications intended to support or sustain life, or for any other application in which the failure of the Motorola product could create a situation where personal injury or death may occur. Should Buyer purchase or use Motorola products for any such unintended or unauthorized application, Buyer shall indemnify and hold Motorola and its officers, employees, subsidiaries, affiliates, and distributors harmless against all claims, costs, damages, and expenses, and reasonable attorney fees arising out of, directly or indirectly, any claim of personal injury or death associated with such unintended or unauthorized use, even if such claim alleges that Motorola was negligent regarding the design or manufacture of the part. Motorola and  are registered trademarks of Motorola, Inc. Motorola, Inc. is an Equal Opportunity/Affirmative Action Employer.

**How to reach us:**

**USA/EUROPE/Locations Not Listed:** Motorola Literature Distribution;  
P.O. Box 5405, Denver, Colorado 80217. 1-303-675-2140 or 1-800-441-2447

**JAPAN:** Motorola Japan Ltd.; SPS, Technical Information Center, 3-20-1,  
Minami-Azabu, Minato-ku, Tokyo 106-8573 Japan. 81-3-3440-3569

**Technical Information Center: 1-800-521-6274**

**ASIA/PACIFIC:** Motorola Semiconductors H.K. Ltd.; Silicon Harbour Centre,  
2, Dai King Street, Tai Po Industrial Estate, Tai Po, N.T., Hong Kong.  
852-26668334

**HOME PAGE:** <http://www.motorola.com/semiconductors/>

**MOTOROLA****MPX5700/D**