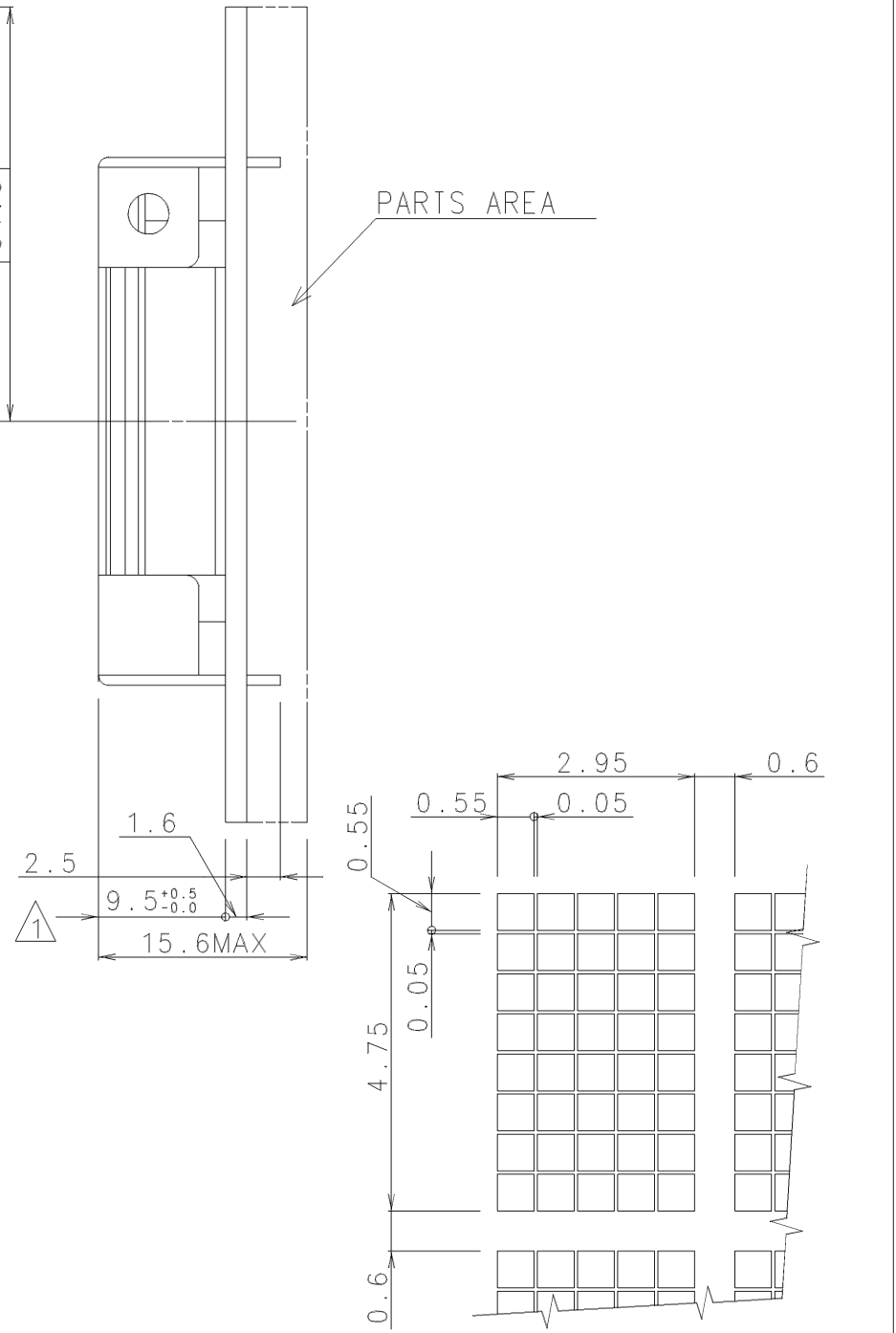
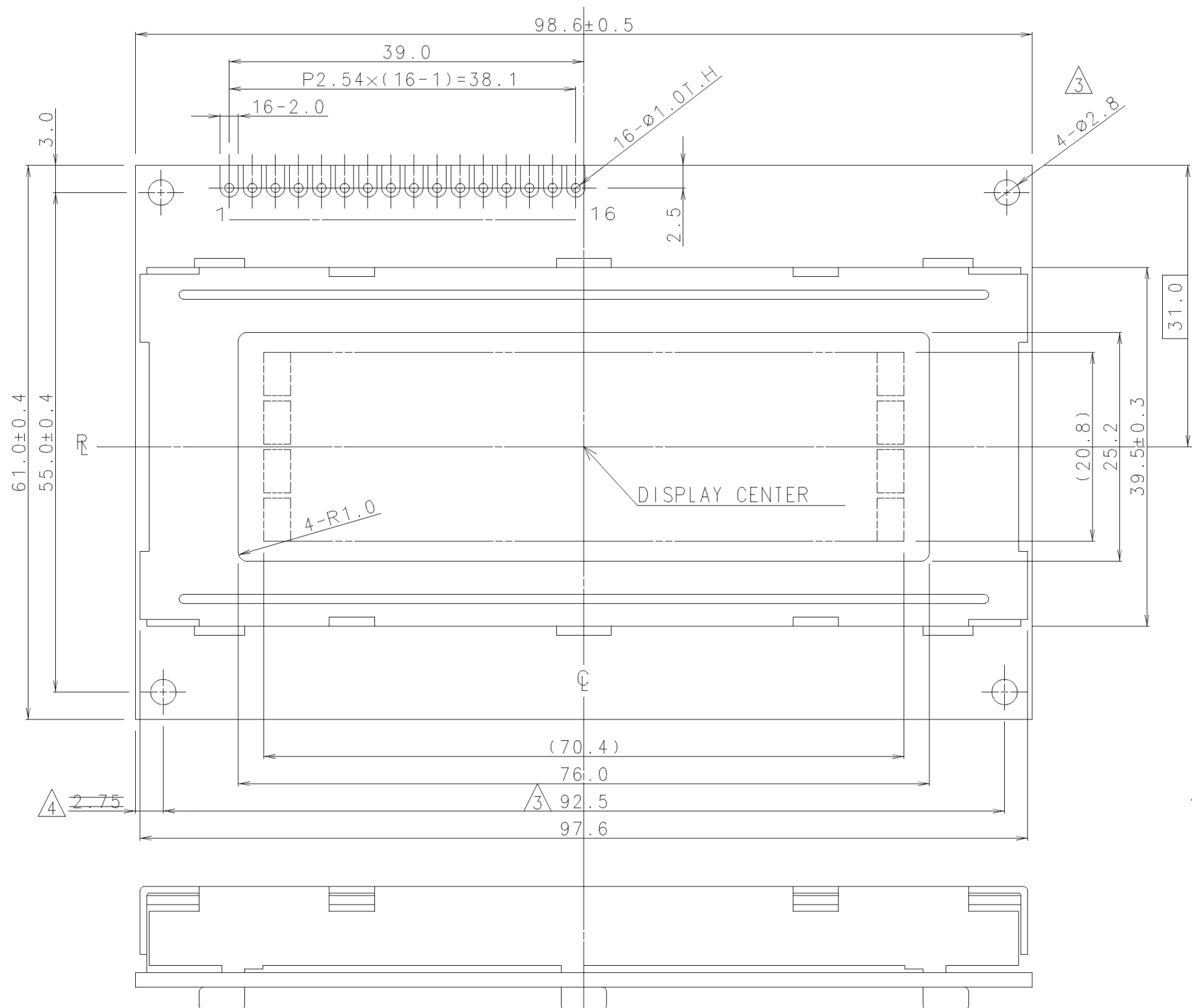




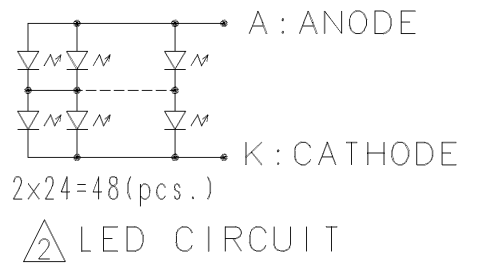
ISSUE	REVISIONS	DRAWN	APPROVED	DATE
①	CORRECTION	H.MIYANO	S.KUWABARA	DEC.12'96
②	CORRECTION	K.T	S.KUWABARA	FEB.03'93
③	CHANGE OF HOLE DIAMETER AND POSITION	S.MATSUOKA	S.KUWABARA	AUG.26'93
④	CORRECTION OF NOTATION	K.MURAKAMI	S.KUWABARA	JUL.20'94



DOT DETAIL: SCALE 10/1

PIN ASSIGNMENT

NO.	SYMBOL	NO.	SYMBOL
1	VSS	9	DB0
2	VCC	10	DB0
3	VEE	11	DB0
4	RS	12	DB0
5	R/W	13	DB0
6	E	14	DB0
7	DB0	15	LED: ANODE
8	DB0	16	LED: CATHODE



MEASURE	TOLERANCE			THIRD ANGLE PROJECTION	DATE FEB.01'99	OPTREX CORPORATION
	A	B	C			
L≤16	±0.1	±0.3	±1	UNIT	APPROVED S.Kuwabara	TITLE DIMENSIONAL OUTLINE
16<L≤63	±0.2	±0.5	±1.5	mm	CHECKED T.Sawada	CODE DMC 20481(LED BACK LIGHT)
63<L≤250	±0.3	±0.8	±2	SCALE	DRAWN H.MIYANO	DWG NO UE-31010D
250<L≤500	±0.5	±1.2	±3	2:1		
500<L	±0.8	±2	±4			
ANGLE	±1°	±5°	±10°			