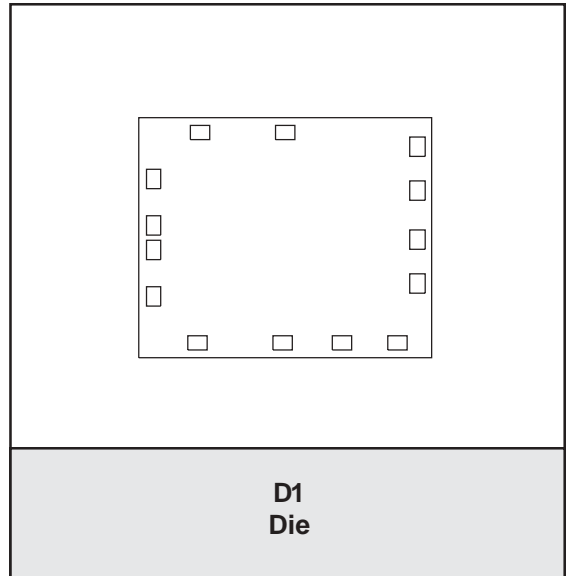


FEATURES

- Low Insertion Loss: 0.8 dB at 2 GHz
- High Isolation: > 25 dB
- Low Harmonic Levels: < -65 dBc at max. GSM power
- Low Control Voltage Operation: to +2.5 V

APPLICATIONS

- Front-end Modules for GSM Wireless Handsets



PRODUCT DESCRIPTION

The AWS5524 is a single pole, four throw (SP4T) RF switch developed to meet the stringent requirements of GSM systems. Manufactured in ANADIGICS' state-of-the-art pHEMT process, the device uses patent-pending circuit topologies to

provide the low insertion loss, high port-to-port isolation and high linearity needed to enhance the performance of GSM radios. The AWS5524 is offered as an unpackaged MMIC die.

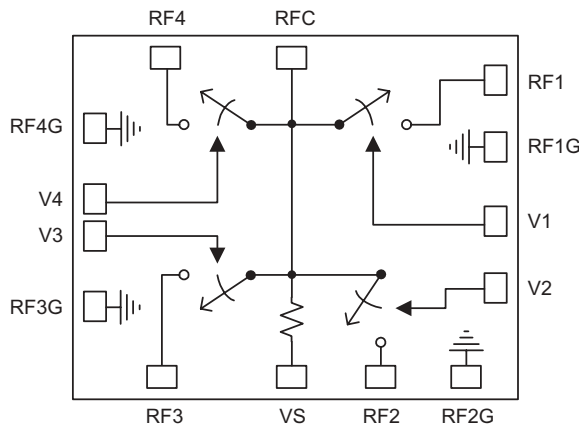
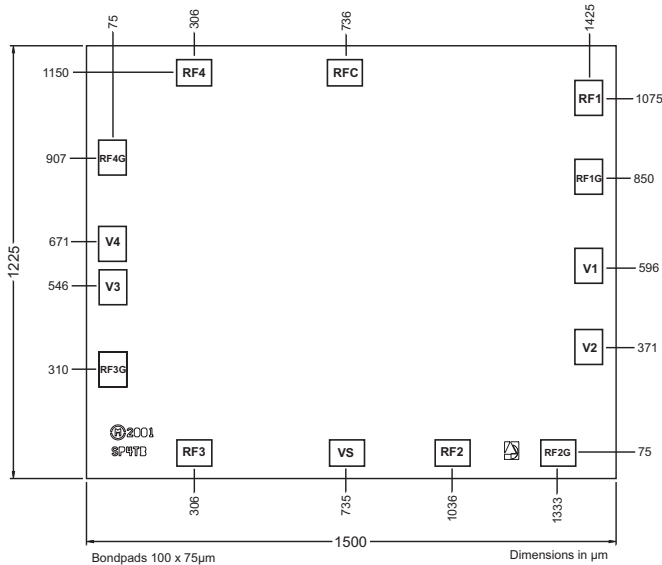


Figure 1: Block Diagram



Dimensions in μm
Bond Pads: 100 μm x 75 μm
Die Thickness: 178 μm
Figure 2: Die Configuration

Table 1: Pad Description

| NAME | DESCRIPTION | NAME | DESCRIPTION |
|------|---------------------------------------|------|----------------------------|
| RF1 | RF port, path 1 | RF3 | RF port, path 3 |
| RFG1 | Ground | RFG3 | Ground |
| V1 | Control voltage, RF path 1 | V3 | Control voltage, RF path 3 |
| V2 | Control voltage, RF path 2 | V4 | Control voltage, RF path 4 |
| RFG2 | Ground | RF4G | Ground |
| RF2 | RF port, path 2 | RF4 | RF port, path 4 |
| VS | Common port bias voltage (logic high) | RFC | RF common port |

ELECTRICAL CHARACTERISTICS

Table 2: Absolute Minimum and Maximum Ratings

| PARAMETER | MIN | MAX | UNIT | COMMENTS |
|---|------|------|------|-----------------|
| Common Port Bias Voltage (V_S) ⁽¹⁾ | -0.2 | +8.0 | V | |
| Control Voltages (V_1, V_2, V_3, V_4) | -0.2 | +8.0 | V | |
| RF Input Power (P_{IN}) | - | 10 | W | at all RF ports |
| Storage Temperature ⁽²⁾ | -65 | +150 | °C | |

Stresses in excess of the absolute ratings may cause permanent damage. Functional operation is not implied under these conditions. Exposure to absolute ratings for extended periods of time may adversely affect reliability.

Notes:

(1) The V_S port may remain open-circuited without damage to the device.

(2) Storage Temperature limits apply to the die only after it has been removed from the ANADIGICS shipping material.

3. All RF ports should be AC-coupled. No external DC bias should be applied.

Table 3: Operating Ranges

| PARAMETER | MIN | TYP | MAX | UNIT | COMMENTS |
|---|-----------|----------------|--------------|------|---------------------------------------|
| RF Frequency (f) | 0.5 | - | 2.5 | GHz | |
| Common Port Bias Voltage (V_S) | - | ⁽¹⁾ | - | - | applied at V_S port |
| Control Voltages (V_1, V_2, V_3, V_4) | 0 +2.5 | - - | +0.2 +3.5 | V | RF path OFF state RF path ON state |
| Ambient Temperature (T_A) | -30 | - | +85 | °C | |

The device may be operated safely over these conditions; however, parametric performance is guaranteed only over the conditions defined in the electrical specifications.

Notes:

(1) For optimal linearity performance, the Common Port Bias Voltage (V_S) should be set to the same Control Voltage used to turn ON any of the individual RF paths. The V_S port may remain open-circuited without damage to the device, but with some degradation in linearity.

Table 4: Electrical Specifications

($T_A = +25\text{ }^\circ\text{C}$; RF ports terminated with $50\ \Omega$; $V_n = +2.7\ \text{V}$ and is the Control Voltage for the ON path, RFC - RFn; $V_x = 0\ \text{V}$ and is the Control Voltage for the OFF paths, RFC - RFx)

| PARAMETER | MIN | TYP | MAX | UNIT | COMMENTS |
|--|----------|------------|------------|--------------------------------|---|
| Insertion Loss 1 GHz 2 GHz | - - | 0.5 0.8 | 0.7 1.0 | dB | RFC port to selected RFn port |
| Return Loss ⁽¹⁾ 1 GHz 2 GHz | - - | -25 -17 | -20 -15 | dB | RFC port and selected RFn port |
| Isolation 1 GHz 2 GHz | 25 25 | 27 27 | - - | dB | RFC port to isolated RFx ports |
| Input Third Order Intercept ⁽²⁾ 800 MHz Cellular Band 1900 MHz PCS Band | - - | +66 +59 | - - | dBm | RFC port to selected RFn port |
| 2nd Harmonic Rejection 1 GHz 2 GHz | - - | -71 -72 | -65 -65 | dBc | RFC port to selected RFn port $P_{IN} = +34\ \text{dBm}$ $P_{IN} = +32\ \text{dBm}$ |
| 3rd Harmonic Rejection ⁽³⁾ 1 GHz 2 GHz | - - | -88 -80 | -65 -65 | dBc | RFC port to selected RFn port $P_{IN} = +34\ \text{dBm}$ $P_{IN} = +32\ \text{dBm}$ |
| Current Consumption | - - | - - | 30 5 | μA μA | each V_n port VS port |

Notes:

(1) Isolated RFx ports have a return loss of approximately -3 dB.

(2) For the Cellular Band, two tones with $P_{IN} = +22.5\ \text{dBm}$ each, at 837 and 838 MHz. For the PCS Band, two tones with $P_{IN} = +21\ \text{dBm}$ each, at 1880 and 1881 MHz.

(3) $V_s = V_n$

Table 5: Switch Control Truth Table

| | | | | | |
|-------------------|-----------|----------------|----------------|----------------|----------------|
| CONTROL VOLTAGES | V_1 | +2.5 to +3.5 V | 0 to +0.2 V | 0 to +0.2 V | 0 to +0.2 V |
| | V_2 | 0 to +0.2 V | +2.5 to +3.5 V | 0 to +0.2 V | 0 to +0.2 V |
| | V_3 | 0 to +0.2 V | 0 to +0.2 V | +2.5 to +3.5 V | 0 to +0.2 V |
| | V_4 | 0 to +0.2 V | 0 to +0.2 V | 0 to +0.2 V | +2.5 to +3.5 V |
| RF PATH SELECTION | RFC - RF1 | ON | OFF | OFF | OFF |
| | RFC - RF2 | OFF | ON | OFF | OFF |
| | RFC - RF3 | OFF | OFF | ON | OFF |
| | RFC - RF4 | OFF | OFF | OFF | ON |

PERFORMANCE DATA

Figure 3: Insertion Loss vs. Frequency
(ON path, $V_n = +2.7\text{ V}$, $V_x = 0\text{ V}$)

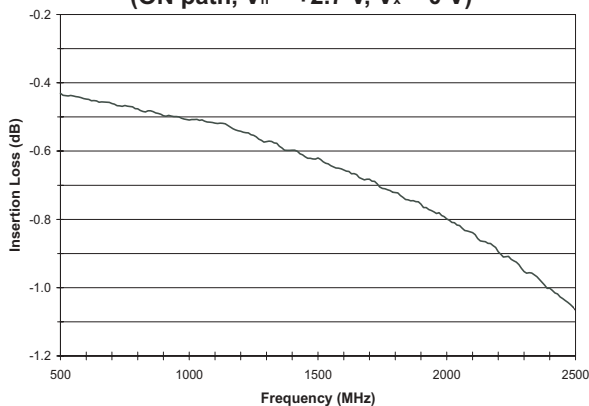


Figure 4: Harmonics of 1 GHz vs. Control Voltage
(ON path, $V_x = 0\text{ V}$, $f = 1\text{ GHz}$, $P_{IN} = +34\text{ dBm}$)

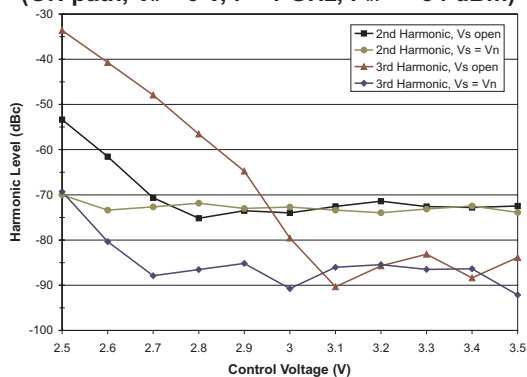


Figure 5: Return Loss vs. Frequency
(ON path, $V_n = +2.7\text{ V}$, $V_x = 0\text{ V}$)

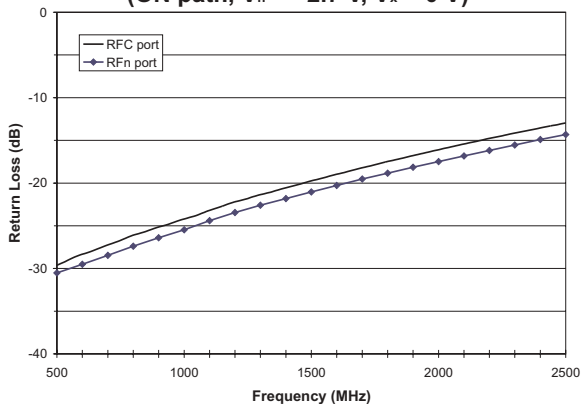


Figure 6: Harmonics of 2 GHz vs. Control Voltage
(ON path, $V_x = 0\text{ V}$, $f = 2\text{ GHz}$, $P_{IN} = +32\text{ dBm}$)

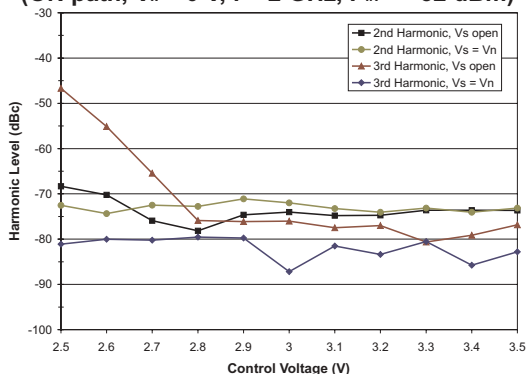
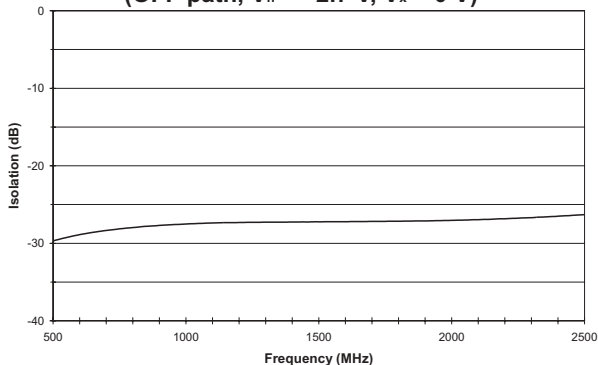


Figure 7: Isolation vs. Frequency
(OFF path, $V_n = +2.7\text{ V}$, $V_x = 0\text{ V}$)



APPLICATION INFORMATION

Die Applications

Bonding and circuit connections for the unpackaged AWS5524 die are shown in Figure 8, and application details are listed in the following notes:

1. C_b are DC blocking capacitors external to the device. A value of 100 pF is sufficient for operation to 500 MHz. The values may be tailored to provide specific electrical responses. The isolation of the switch provides enough decoupling of RF ports 1 through 4 so that overall switch performance is not affected.
2. The VS pin provides a fixed voltage potential to the common port of the switch. To get the best linear performance, it should be tied to the logic high voltage potential (not the power supply). Current draw on this pin is less than 5 μA.
3. The RF Ground bondwires should be kept as short as possible and bonded directly to a good RF ground for best broadband performance.

4. L_{ESD} provides a means to increase the ESD protection on a specific RF port, typically the port attached to the antenna. The ESD rating of the device is ±125 V HBM overall. This rating is associated with the control pin to RF port path. RF port to RF Gnd has been determined to be >±500 V HBM for this technology. By using L_{ESD} as an RF choke on a port, an ESD protection to ±8 kV contact discharge can be achieved.

5. The die may be attached by either conductive or non-conductive epoxy formulated for attaching semiconductor parts. The back of the die is electrically isolated from the switch circuit and can be grounded or left isolated.

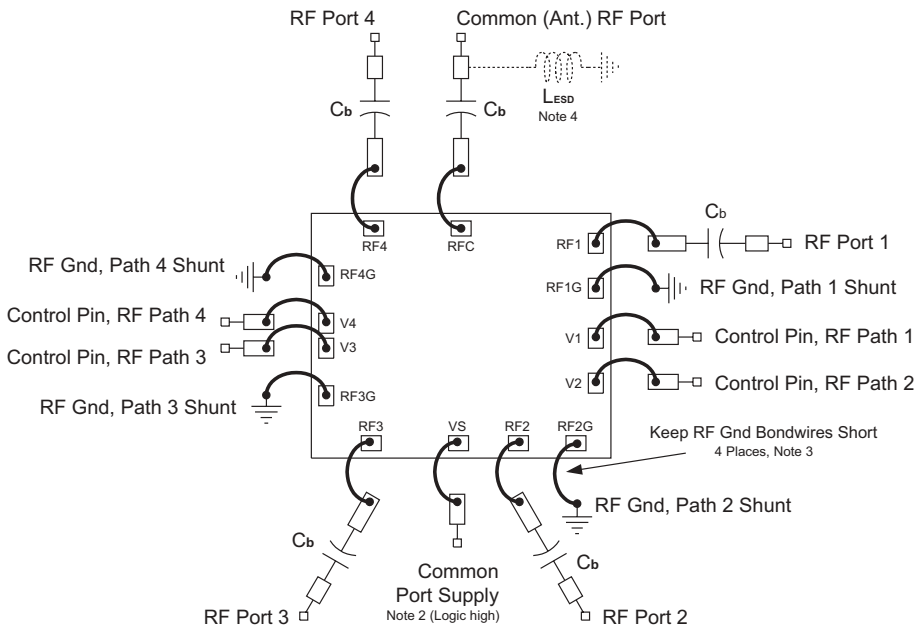


Figure 8: Application Schematic

NOTES

ORDERING INFORMATION

| ORDER NUMBER | TEMPERATURE RANGE | PACKAGE DESCRIPTION | COMPONENT PACKAGING |
|--------------|-------------------|---------------------|---------------------------------|
| AWS5524D1 | -30 °C to +85 °C | Die | (contact ANADIGICS for details) |

**ANADIGICS, Inc.**

141 Mount Bethel Road
 Warren, New Jersey 07059, U.S.A.
 Tel: +1 (908) 668-5000
 Fax: +1 (908) 668-5132

URL: <http://www.anadigics.com>
 E-mail: Mktg@anadigics.com

IMPORTANT NOTICE

ANADIGICS, Inc. reserves the right to make changes to its products or to discontinue any product at any time without notice. The product specifications contained in Advanced Product Information sheets and Preliminary Data Sheets are subject to change prior to a product's formal introduction. Information in Data Sheets have been carefully checked and are assumed to be reliable; however, ANADIGICS assumes no responsibilities for inaccuracies. ANADIGICS strongly urges customers to verify that the information they are using is current before placing orders.

WARNING

ANADIGICS products are not intended for use in life support appliances, devices or systems. Use of an ANADIGICS product in any such application without written consent is prohibited.