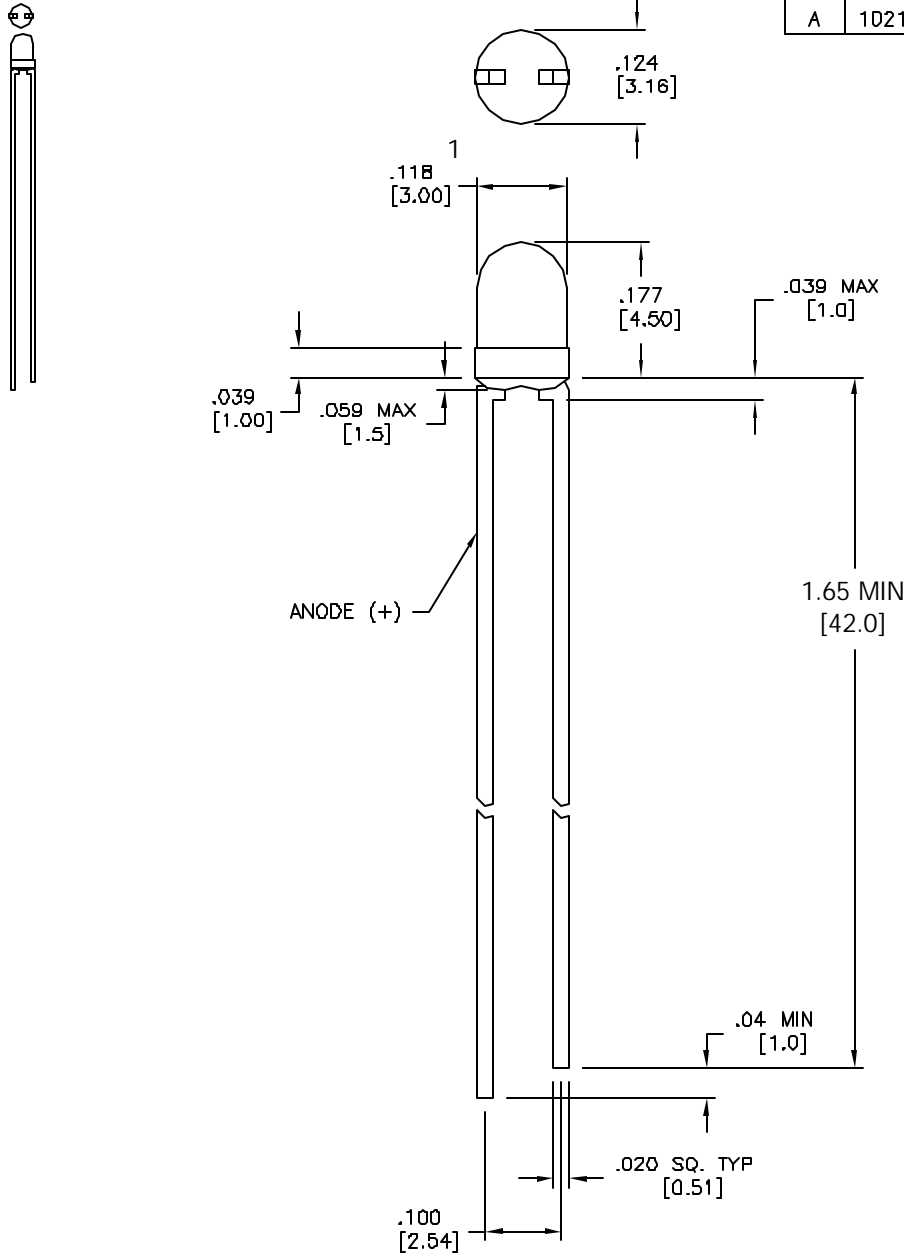



LTR	REVISION	DATE	APPD
-	RELEASED	06-24-04	
A	102104-PL01: ADDED NEW PART#'S	10-22-04	

Actual Size



LEDTRONICS PART NO.	L.E.D. RADIATION COLOR	L.E.D. APPEARANCE	ABSOLUTE MAXIMUM RATINGS (T _a =25°C)					ELECTRO-OPTICAL CHARACTERISTICS (T _a =25°C)							
			P _d mW	I _f mA	I _f mA	V _r V	T _{opr} (°C)	I _f mA	I _v med typ	V _f =V typ/max	VIEW ANGLE 2θ1/2	I _r max μA	Δλ nm	λ _{DOM} nm	λ _{Peak} nm
L120TR5L	RED	DIFFUSED	100	150	30	5	-40 TO +80	20	30	2.0/2.6	55	100	43	630	645
L120TG5L	GREEN	DIFFUSED	100	150	30	5	-40 TO +80	20	70	2.2/2.6	55	100	30	571	566
L120TY5L	YELLOW	DIFFUSED	100	150	30	5	-40 TO +80	20	20	2.1/2.6	55	100	38	591	585
L120TWRC5L	HI-EFF RED	DIFFUSED	80	150	30	5	-40 TO +80	20	4	2.0/2.6	55	100	45	635	635
	GREEN	DIFFUSED	100	150	30	5	-40 TO +80	20	10	2.2/2.6	55	100	30	568	568
L120TWYG5L	YELLOW	DIFFUSED	80	150	30	5	-40 TO +80	20	3	2.1/2.6	55	100	35	585	585
	HI-EFF GREEN	DIFFUSED	100	150	30	5	-40 TO +80	20	10	2.2/2.6	55	100	30	568	568

T_{stg}: -40°C TO +85°C
 LEAD SOLDERING TEMP: [1.6mm (.063in) FROM BODY] 260°C FOR 5 SEC.

 LEDTRONICS, INC. 23105 KASHIWA COURT TORRANCE, CA 90505	PROPRIETARY. This document contains Proprietary Information of LEDTRONICS, INC. It may not be copied, used or disclosed for any purpose without the prior express written consent of LEDTRONICS, INC.		TITLE L120TWXX5L			
	DWG NO DSDD0145	SCALE 4:1	SHEET 1 OF 1	DATE 06-24-04		
	CODE IDENT NO. 8Z410	DWG BY CEZ	CHK BY PL	QA GZ	MNFG 10-27-04	CUSTOMER 10-27-04

.XXX ± .010 TOLERANCE PER ANSI-Y14.5
 .XX ± .025 (UNLESS OTHERWISE STATED)
 ANGLES ± 0°.30°
 FRACT. ± 1/32