

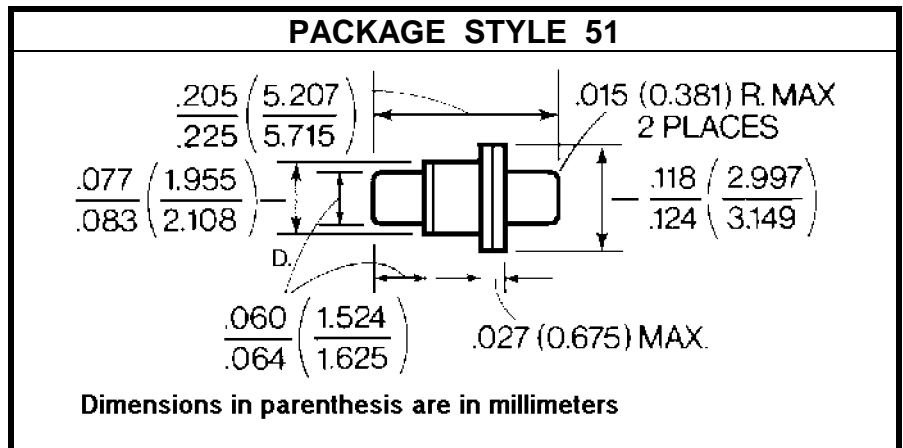
# SILICON PIN SWITCHING DIODE

**DESCRIPTION:**

The **MA47268** is a Passivated Silicon PIN Switching Diode.

**MAXIMUM RATINGS**

<b>I</b>	100 mA
<b>V</b>	100 V
<b>P<sub>DISS</sub></b>	7.5 W @ T <sub>C</sub> = 25 °C
<b>T<sub>J</sub></b>	-65 °C to +175 °C
<b>T<sub>STG</sub></b>	-65 °C to +200 °C


**CHARACTERISTICS** T<sub>C</sub> = 25 °C

SYMBOL	TEST CONDITIONS	MINIMUM	TYPICAL	MAXIMUM	UNITS
V <sub>B</sub>	I <sub>R</sub> = 10 μA	100			V
C <sub>T</sub>	V <sub>R</sub> = 1.0 V f = 1.0 MHz			0.34	pF
R <sub>S</sub>	I <sub>F</sub> = 10mA f = 500 MHz			2.0	Ohms
O <sub>R</sub>				20	°C/W
T <sub>L</sub>	I <sub>R</sub> = 6mA I <sub>F</sub> = 10mA		100		μS