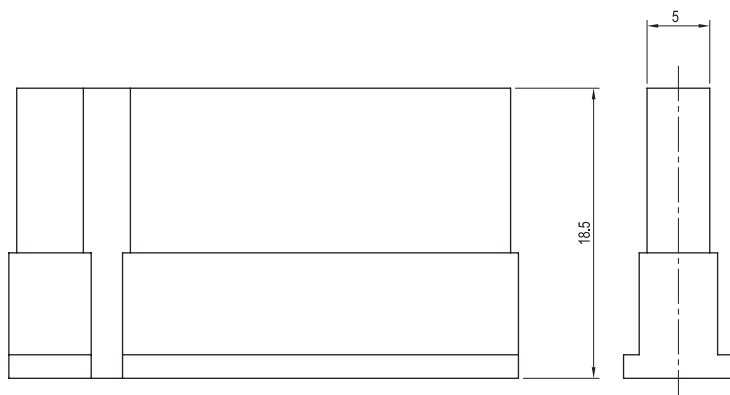
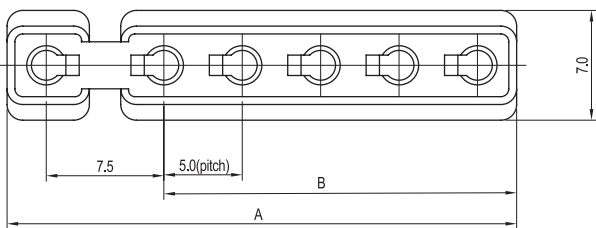
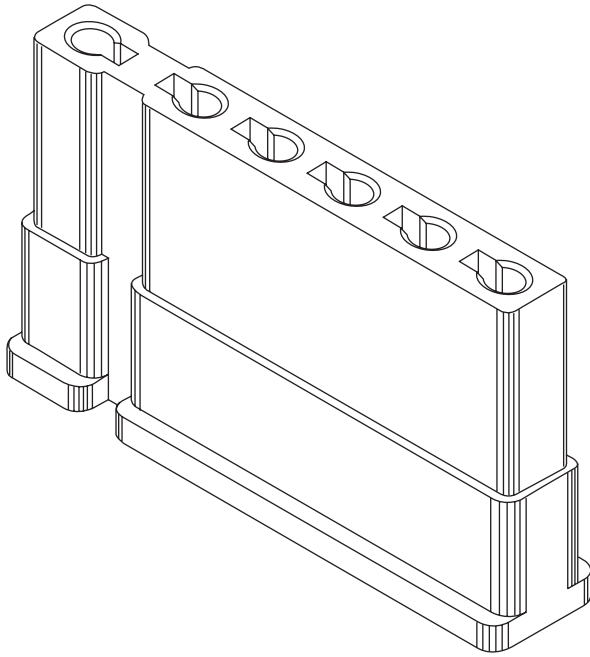


5.00mm (0.196") PITCH CONNECTOR

Dy Connector Housing

YFJH500 Series



Material

I/NO	DESCRIPTION	TITLE	MATERIAL
1	HOUSING	YFJH500	PA66, UL94 V Grade

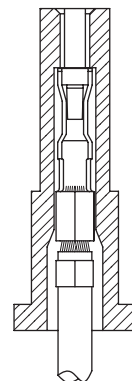
Available Pin

PARTS NO.	DIM. A	DIM. B
YFJH500-04	22.5	10.0
YFJH500-05	27.5	15.0
YFJH500-06	32.5	20.0

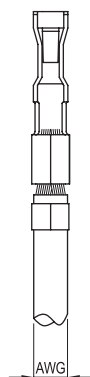
Specification

ITEM	SPEC
Voltage Rating	AC/DC 250V
Current Rating	AC/DC 5A
Operating Temperature	-25℃~+85℃
Contact Resistance	30mΩ MAX
Withstanding Voltage	AC1500V/1min
Insulation Resistance	1000MΩ MIN
Applicable Wire	AWG #20~#26
Applicable P.C.B	-
Applicable FPC/FFC	-
Solder Height	-
Crimp Tensile Strength	-
UL FILE NO	-

Application Terminal : YDT157 (208 page)



TERMINAL ASSEMBLY DRAWING



AWG : #20 ~ #26