

# 10BASE-T NETWORK COMPONENTS

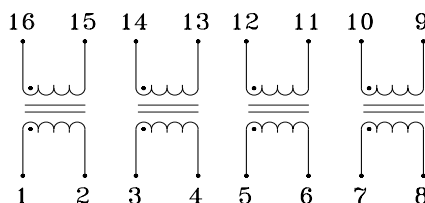
960052A

- Designed for use with Level One LXT914 multi-port 10Base-T repeater PHY transceiver
- Quad, 4-port transmit or receive in one through-hole or surface mount package
- Complies with IEEE 802.3 10Base-T specifications
- 2000 Vrms isolation

## ELECTRICALS AT 25°C

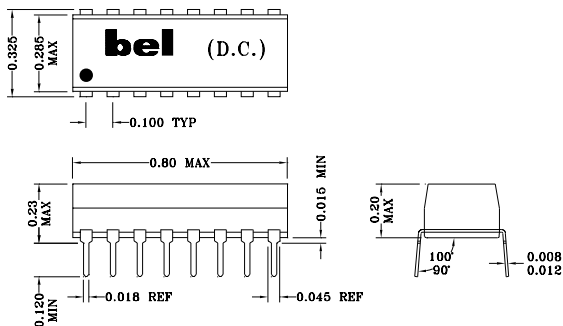
Part No.	Turns Ratio (all xfmr's)	Insertion Loss (dB) Max 1-10MHz	OCL $\mu$ H +/-30%	Return Loss (dB) Min 1MHz-10MHz	Crosstalk (dB) Min 1MHz-10MHz	Package Style
A553-5999-00	1:1	-1.0	150	-18	-40	1
A553-5999-01	1:š2	-1.0	150	-18	-40	1
S553-5999-02	1:1	-1.0	150	-18	-40	2
S553-5999-03	1:š2	-1.0	150	-18	-40	2

## SCHEMATIC

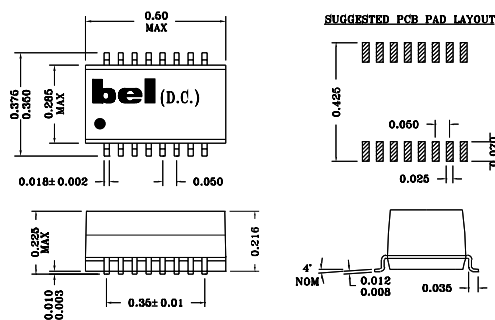


## MECHANICALS

1



2

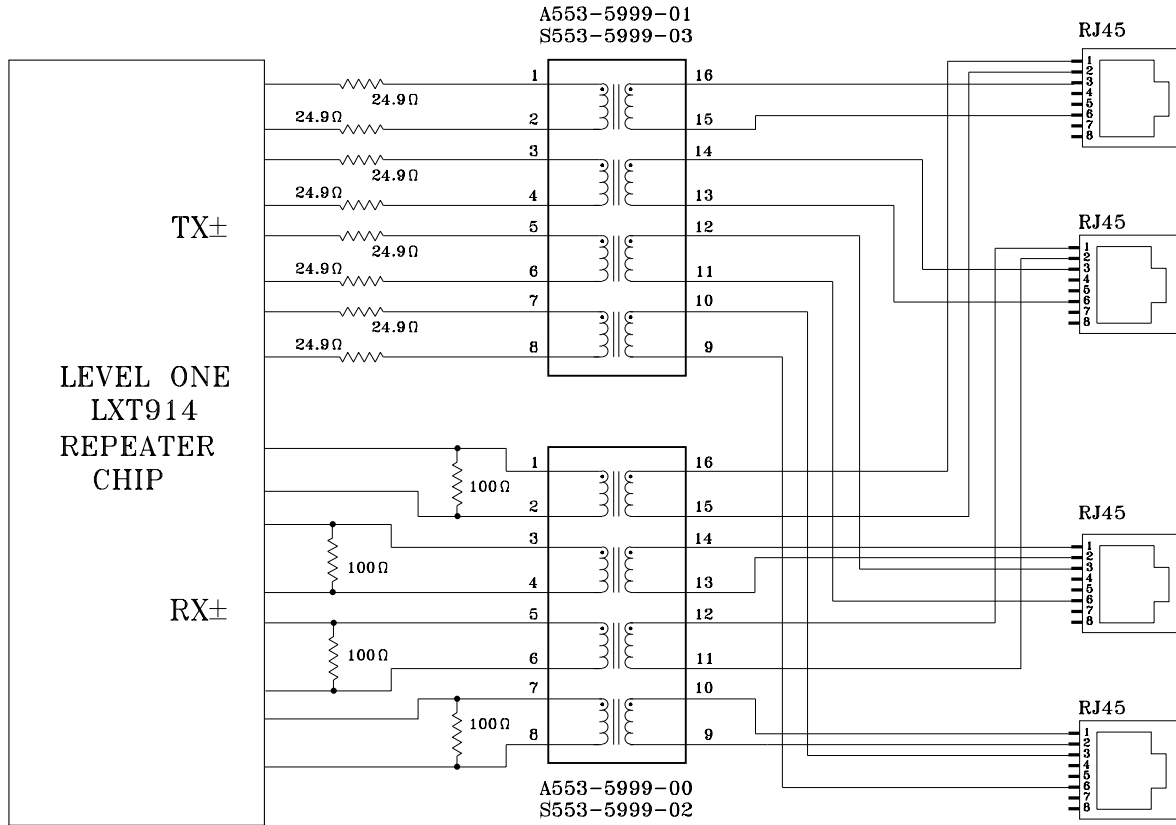


Specifications subject to change without notice.

# 10BASE-T NETWORK COMPONENTS

960052A

## APPLICATION CIRCUIT



## APPLICATION NOTES

- All designs meet IEEE 802.3 standards.
- Additional common mode chokes are available in separate packaging.
- Quad designs with integrated transmit and receive transformers, with or without common mode chokes, are available.
- Bel's low profile, surface mount packaging is ideal for high speed pick and place machinery. Parts can be shipped on tape and reel for high speed placement. Construction processes have been implemented for thermal compatibility with high temperature IR reflow assembly processing. Post dipping of leads assist with PC board solderability. Each part is optically inspected to meet rigid coplanarity requirements.

### Corporate Office

Bel Fuse Inc.  
 198 Van Vorst Street, Jersey City, NJ 07302-4496  
 Tel: 201-432-0463  
 Fax: 201-432-9542  
 E-Mail: BelFuse@belfuse.com  
 Internet: <http://www.belfuse.com>

### Far East Office

Bel Fuse Ltd.  
 8F/8 Luk Hop Street  
 San Po Kong  
 Kowloon, Hong Kong  
 Tel: 852-2328-5515  
 Fax: 852-2352-3706

### European Office

Bel Fuse Europe Ltd.  
 Preston Technology Management Centre  
 Marsh Lane, Preston PR1 8UD  
 Lancashire, U.K.  
 Tel: 44-1772-556601  
 Fax: 44-1772-888366