

# CABLE MODEM MAGNETICS

## Wideband RF Transformer

CM03402

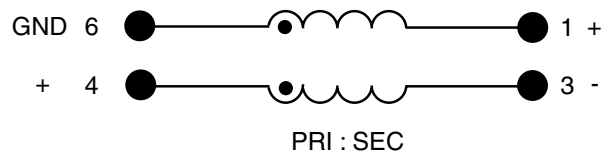
- Optimized for use in the upstream and downstream data path of cable modem applications
- Designed for use with a variety of high frequency drivers
- Ideal for cable distribution/drop amplifiers, set top boxes and home gateways
- Excellent insertion loss and return loss characteristics
- Operating temperature -40° to +85° C

### ELECTRICAL SPECIFICATIONS at 25° C

Turns Ratio ±3%	Insertion Loss dB max	Return Loss dB min		Phase Unbalanced ° max	Amplitude Unbalanced dB max
		5MHz to 50MHz	50MHz to 1GHz		
Pri : Sec	5MHz to 1GHz	5MHz to 50MHz	50MHz to 1GHz	5MHz to 1GHz	5MHz to 1GHz
1 : 1	<1.0	25	22	6°	1

### SCHEMATIC

S554-5999-15

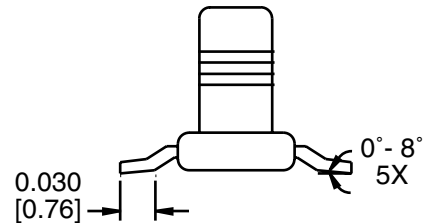
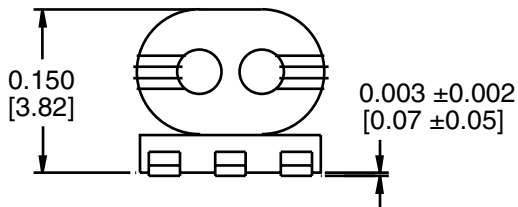
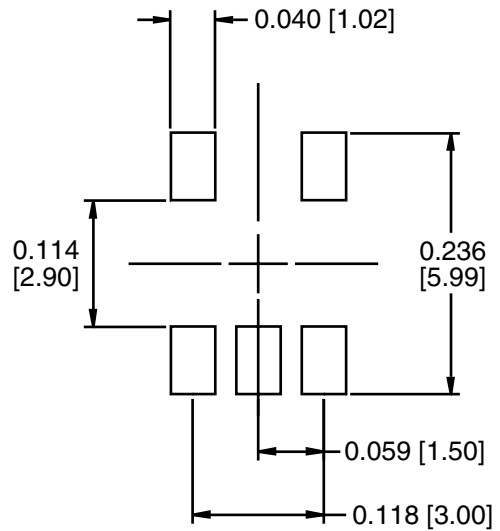
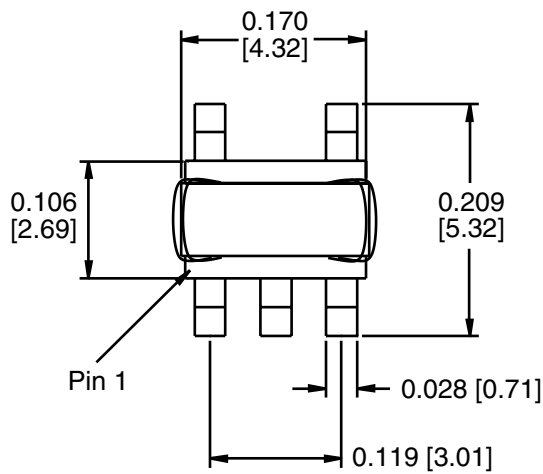


Note: For optimum performance pin 6 is ground.

#### MECHANICAL

S554-5999-15

#### Suggested PCB Pad Layout



©2004 Bel Fuse Inc. Specifications subject to change without notice. 02.04

#### CORPORATE

**Bel Fuse Inc.**  
206 Van Vorst Street  
Jersey City, NJ 07302  
Tel 201-432-0463  
Fax 201-432-9542  
www.belfuse.com

#### FAR EAST

**Bel Fuse Ltd.**  
8F / 8 Luk Hop Street  
San Po Kong  
Kowloon, Hong Kong  
Tel 852-2328-5515  
Fax 852-2352-3706  
www.belfuse.com

#### EUROPE

**Bel Fuse Europe Ltd.**  
Preston Technology Management Centre  
Marsh Lane, Suite G7, Preston  
Lancashire, PR1 8UD, U.K.  
Tel 44-1772-556601  
Fax 44-1772-888366  
www.belfuse.com