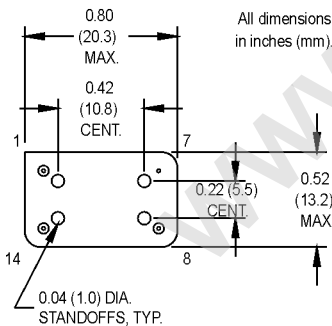
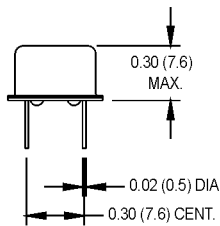
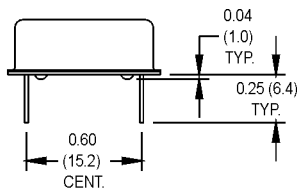
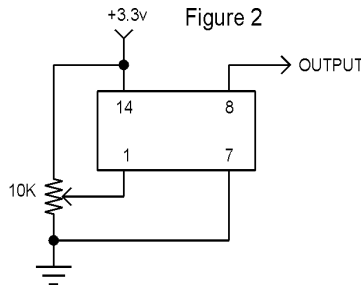
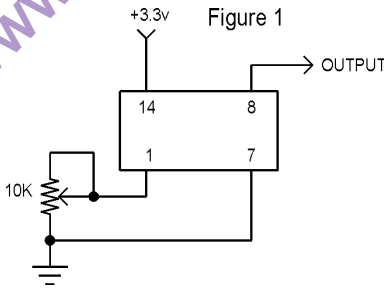
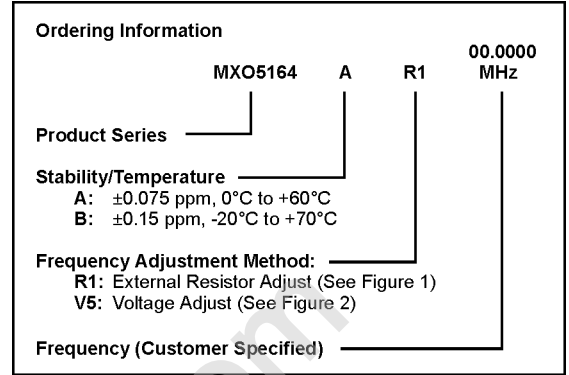


MXO5164 Series

14 DIP, 3.3 Volt, HCMOS, OCXO



- Standard DIP/DIL package offering tight stabilities, fast warm-up, and low current
- Ideal for PCS base stations, cellular base stations, phase locking, and SAR/SAT applications
- 3.3V Operation



Pin Connections

PIN	FUNCTION
1	Frequency Adjust
7	Case ground & supply return
8	R.F. Output
14	Supply (+)

PARAMETER	Symbol	Min.	Max.	Units	Condition
Frequency Range	F	10	20	MHz	
Operating Temperature	T _A	(See Ordering Information)		°C	
Stability Over Temperature	ΔF/F	(See Ordering Information)		ppm	
Short Term Stability			5 x 10 ⁻¹⁰		0.1 to 30 secs.
Aging (First Year)			±0.7	ppm	
Aging (10 Years)			±4.0	ppm	
Frequency Vs. Supply			±0.1	ppm	
Frequency Vs. Load			±0.01	ppm	
Supply Voltage	V _{CC}	+3.15	+3.45	Volts	
Warm-Up Time		To spec after 60 secs.			0°C
Warm-Up Current			250	mA	After 10 secs.
Supply Current	I _{CC}		100 160	mA	+30°C -20°C
Output Signal		HCMOS Compatible			
Rise/Fall Time	Tr/Tf		7	ns	Ref. 10% and 90%
Logic "0" Level	V _{OL}		0.4	Volts	
Logic "1" Level	V _{OH}	V _{CC} - 0.5		Volts	
Symmetry			40/60	%	Ref. To 1/2 V _{CC}
Output Load			15 pF HCMOS 10 LS TTL		
Frequency Adjustment (Pin 1)		±4		ppm	See Figure 1 or 2
Tuning Slope		Positive			
Input Impedance (Pin 1)		4.7K		ohms	
Phase Noise					(BW = 1 Hz) Offset from carrier
1 Hz			-80	dBc/Hz	
10 Hz			-110	dBc/Hz	
100 Hz			-135	dBc/Hz	
1 kHz			-145	dBc/Hz	
Mechanical Shock		2000 g, 0.3 mS, 1/2 sine			
Vibration		2000 Hz, 10 g			
Storage Temperature		-55°C to +125°C			
Hermeticity		Per MIL-STD-202, Method 112			
Solderability		EIAJ-STD-002			

M-tron reserves the right to make changes to the product(s) and service(s) described herein without notice. No liability is assumed as a result of their use or application. No rights under any patent accompany the sale of such product.

M-tron Industries, Inc., PO Box 630, Yankton, SD 57078-0630, USA Phone: 605-665-9321 or 1-800-762-8800 Fax: 605-665-1709 Website: www.mtron.com
M-tron Industries Limited, 1104 Shanghai Industrial Investment Building, 48-62 Hennessy Road, Wanchai, Hong Kong, China Phone: 852-2866-8023 Fax: 852-2529-1822