

**Model P270**  
**27mm Rotary Potentiometer**  
**Long Life - 1 Million cycles**  
**Conductive Plastic Element**  
**Heavy Duty Applications**  
**Sealed Unit Available**  
**RoHS Compliant**



**MODEL STYLES**

|                                     |      |
|-------------------------------------|------|
| Panel, Solder Lugs                  | P270 |
| Panel, Solder Lugs, with Center Tap | P271 |

**ELECTRICAL<sup>1</sup>**

|                                   |                                    |
|-----------------------------------|------------------------------------|
| Resistance Range, Ohms            | 1K-1M $\Omega$                     |
| Standard Resistance Tolerance     | $\pm 10\%$                         |
| Residual Resistance               | 6 $\Omega$ max.                    |
| Input Voltage, maximum            | 500 Vdc not to exceed power rating |
| Power rating, Watts               | 2 Watts @ 70°C                     |
| Dielectric Strength               | 1000VAC, 1 minute                  |
| Insulation Resistance, Minimum    | 50M ohms at 500Vdc                 |
| Sliding Noise                     | 100mV max.                         |
| Actual Electrical Travel, Nominal | 300°                               |
| Electrical Continuity, Nominal    | 312°                               |

**MECHANICAL**

|                             |   |
|-----------------------------|---|
| Total Mechanical Travel     | 312° $\pm 5^\circ$                                      |
| Static Stop Strength        | 20 oz-in  |
| Rotational Torque, Maximum  | Dust Proof : 2.0.oz-in max.<br>Sealed : 2.0 - 3.5 oz-in |
| Panel Nut Tightening Torque | 25 lb-in  |

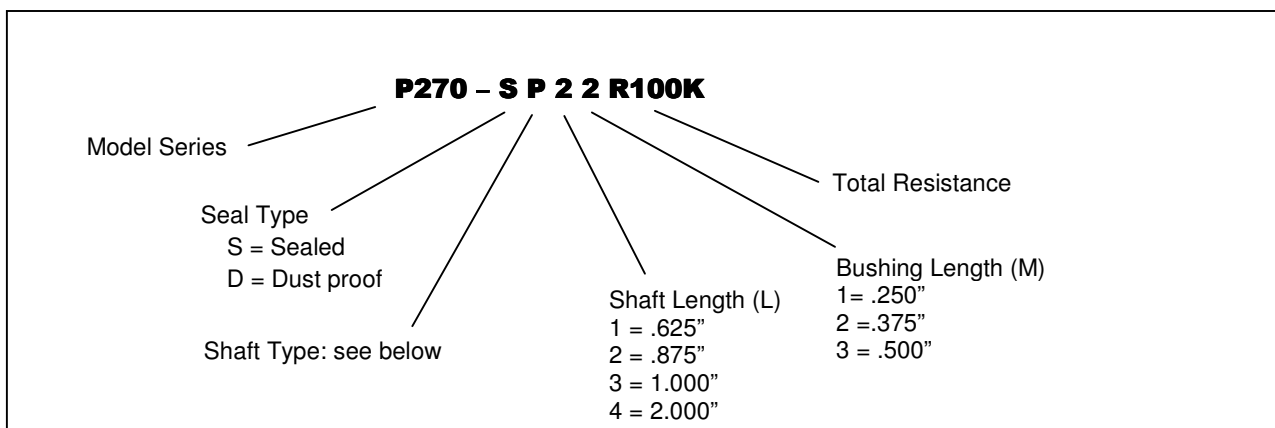
**ENVIRONMENTAL**

|                             |                             |
|-----------------------------|-----------------------------|
| Operating Temperature Range | -55°C to +120°C             |
| Rotational Load Life        | 1M Cycles (10% $\Delta R$ ) |

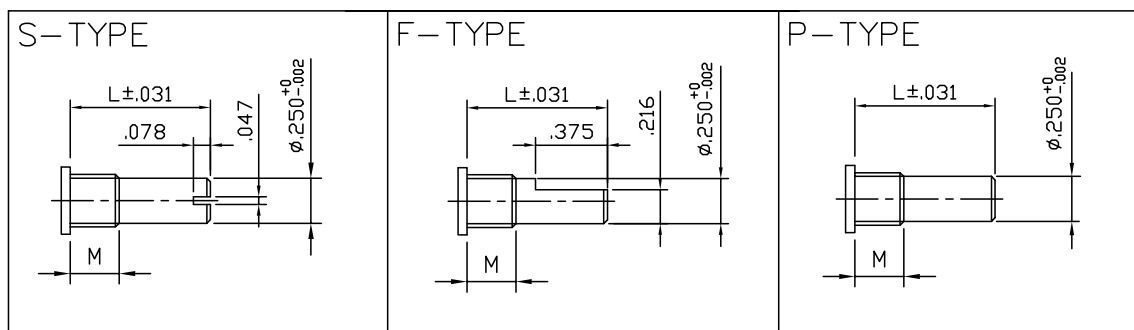
<sup>1</sup> Specifications subject to change without notice.

# Model P270

## ORDERING INFORMATION<sup>2</sup>



## Shaft Types

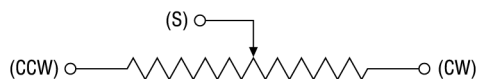


## STANDARD RESISTANCE VALUES, OHMS

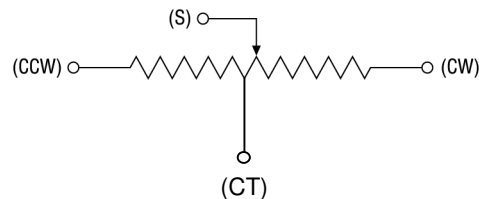
1K    2K    5K    10K    20K    50K    100K    200K    500K    1MEG

## CIRCUIT DIAGRAM

P270 (without Center Tap)



P271 (with Voltage Center Tap)

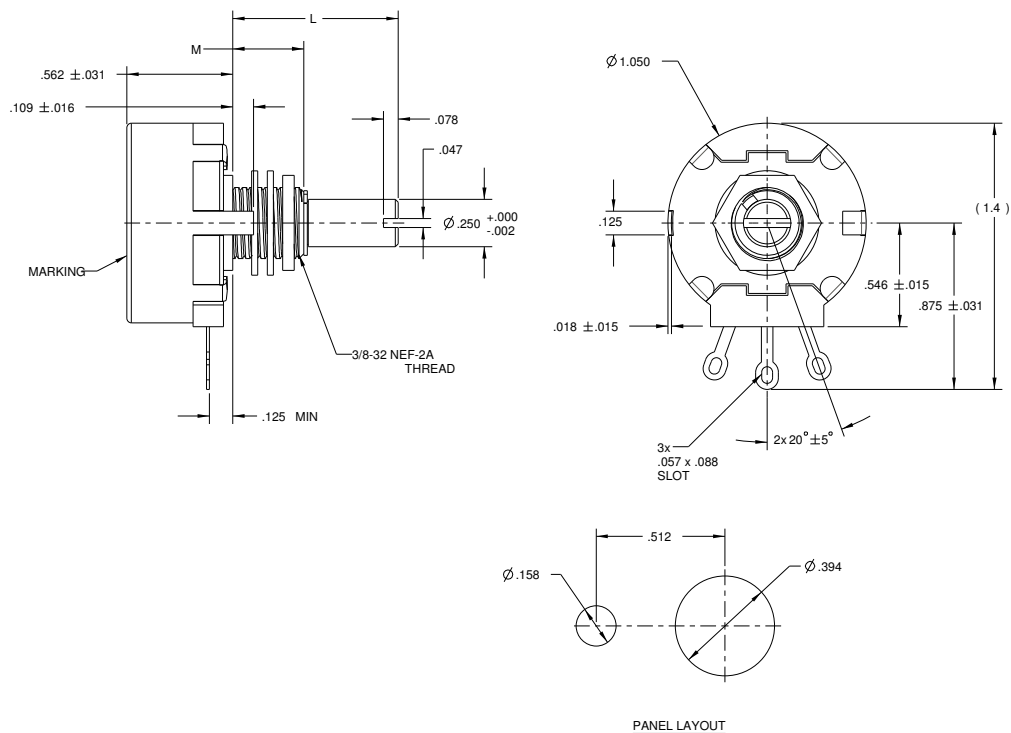


<sup>2</sup> Contact our customer service for custom designs and features.

# Model P270

## OUTLINE DRAWING

### Model 270



### Model 271 (Center Tap)

