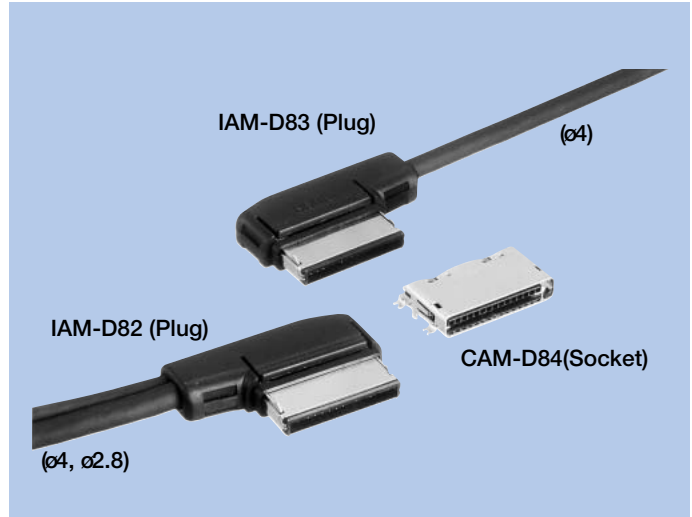


# Rectangular Connectors IAM-D82·D83, CAM-D84

## FEATURES

1. These are 15 pins external interface connectors.  
IAM-D82, D83 is a cable assembly plug, and CAM-D84 is an SMT socket.
2. This long-life connector can withstand 5,000 times coupling/decoupling cycle life and has a one-touch locking mechanism. It has a thin style to allow it to be used in low-profile sets.



## HOW TO ORDER

### 1. IAM-D82 (Plug)

**D82** -  - **9408**

1      2      3      4

- 1 Series No. (D82)
- 2 No. of contacts (013 : 13pins)  
(015 : 15pins)
- 3 Product Specifications
- 4 Item  
A : 13pins  
B : 15pins

### 2. IAM-D83 (Plug)

**D83** -  - **4727**

1      2      3      4

- 1 Series No. (D83)
- 2 No. of contacts (015 : 15pins)
- 3 Product Specifications
- 4 Item  
A : 13pins  
B : 15pins

### 3. CAM-D84 (Socket)

**D84** -  - **05 0 - B G G A A**

1      2      3 4    5 6    7 8 9

- 1 Series No. (D84)
- 2 No. of contacts (013 : 13pins)  
(015 : 15pins)
- 3 Housing material (05 : Nylon resin)
- 4 UL Grade (0 : UL 94V-0)
- 5 Contact pin plating types (B: Gold)
- 6 Contact pin plating thickness (G : 0.3µm)
- 7 Contact pin lead profile (G : Angle SMT)
- 8 Attachment on connector fitting side (A : None)
- 9 Attachment on connector PCB side (A : None)

## SPECIFICATIONS

### ELECTRICAL CHARACTERISTICS

Rated Voltage	24V DC
Rated Current	0.5A
Withstanding Voltage	500V AC (rms) 1minute
Insulation Resistance	100MΩ min. (at 500V DC)
Contact Resistance	100mΩ max.

**MECHANICAL CHARACTERISTICS**

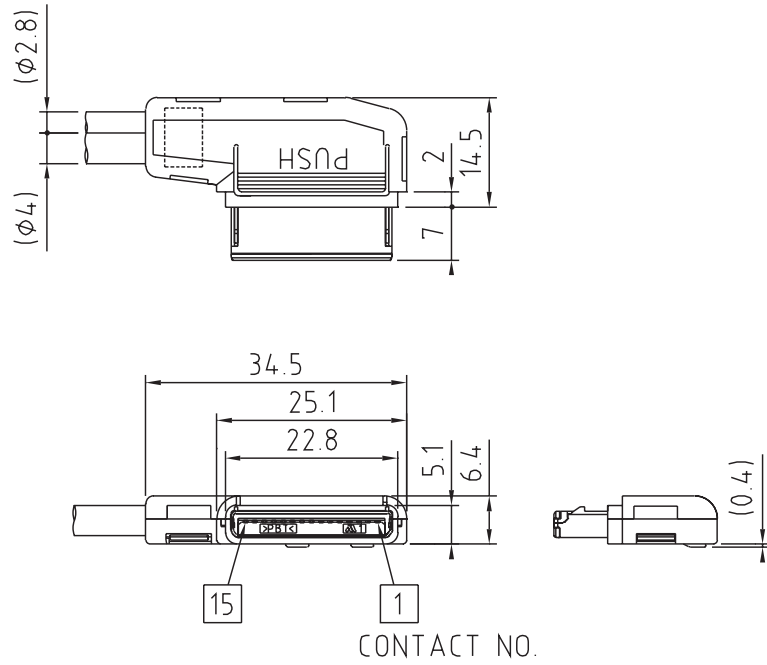
Life (Matching Cycle)	5,000 times
Total Insertion Force	29.4N (3kgf) max.
Total Withdrawal Force	0.98~29.4N (0.1~3kgf) max.
Using Temperature Range	-30~+85°C

**MATERIAL & FINISH**

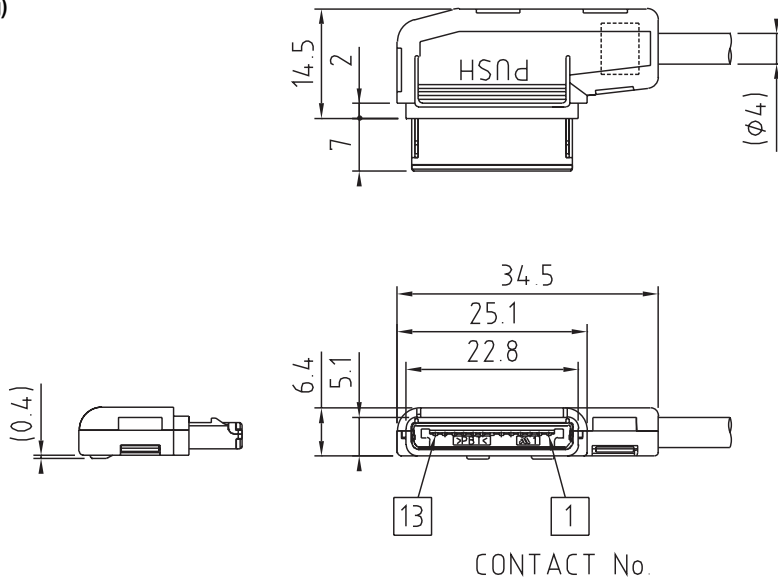
Component Parts		Material	Finish
IAM-D82-D83	Housing	PBT resin	—
	Contact	Copper Alloy	Gold plating
	Shielded Case	Brass	Nickel plating
	Case	PBT resin	—
	Board Lock	Stainless	—
	Cord Clampar	Steel	—
CAM-D84	Housing	Nylon resin	—
	Contact	Copper Alloy	Gold plating
	Shielded Case	Stainless	Copper-tin plating

**DIMENSIONS**

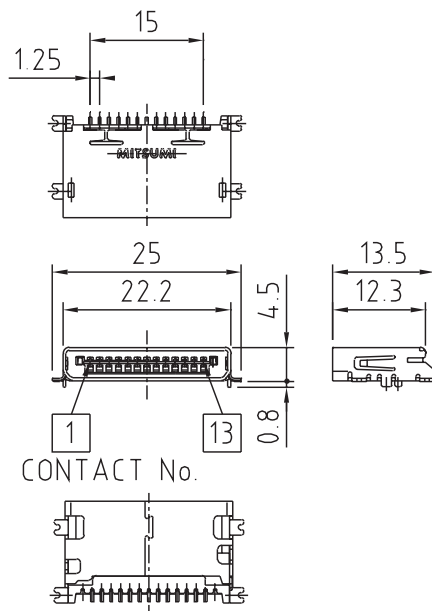
IAM-D82 (Plug)



IAM-D83 (Plug)



CAM-D84 (13 pins : Socket)



CAM-D84 (15 pins : Socket)

