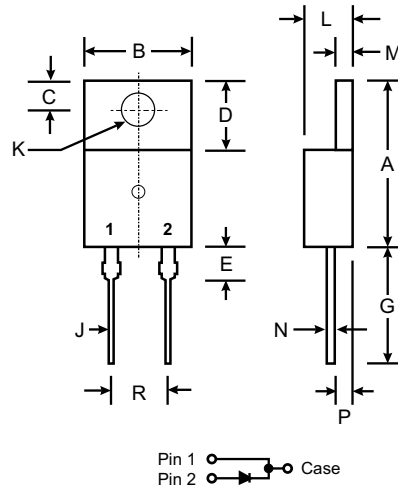


Features

- Schottky Barrier Chip
- Guard Ring Die Construction for Transient Protection
- Low Power Loss, High Efficiency
- High Surge Capability
- High Current Capability and Low Forward Voltage Drop
- For Use in Low Voltage, High Frequency Inverters, Free Wheeling, and Polarity Protection Application
- Plastic Material: UL Flammability Classification Rating 94V-0

Mechanical Data

- Case: Molded Plastic
- Terminals: Plated Leads Solderable per MIL-STD-202, Method 208
- Polarity: See Diagram
- Weight: 2.24 grams (approx.)
- Mounting Position: Any
- Marking: Type Number



TO-220AC		
Dim	Min	Max
A	14.22	15.88
B	9.65	10.67
C	2.54	3.43
D	5.84	6.86
E	—	6.35
G	12.70	14.73
J	0.51	1.14
K	3.53 \varnothing	4.09 \varnothing
L	3.56	4.83
M	1.14	1.40
N	0.30	0.64
P	2.03	2.92
R	4.83	5.33
All Dimensions in mm		

Maximum Ratings and Electrical Characteristics @ T_A = 25°C unless otherwise specified

Single phase, half wave, 60Hz, resistive or inductive load.
For capacitive load, derate current by 20%.

Characteristic	Symbol	MBR 870L	MBR 880L	MBR 890L	MBR 8100L	Unit
Peak Repetitive Reverse Voltage Working Peak Reverse Voltage DC Blocking Voltage	V _{RRM} V _{RWM} V _R	70	80	90	100	V
RMS Reverse Voltage	V _{R(RMS)}	49	56	63	70	V
Average Rectified Output Current (Note 1) @ T _C = 125°C	I _O	8.0				A
Non-Repetitive Peak Forward Surge Current, 8.3ms single half sine-wave superimposed on rated load (JEDEC Method)	I _{FSM}	230				A
Repetitive Peak Forward Surge Current @ t ≤ 5.0μs	I _{FRM}	850				A
Forward Voltage Drop @ I _F = 8.0A, T _C = 25°C @ I _F = 8.0A, T _C = 125°C	V _{FM}	0.72 0.58				V
Peak Reverse Current @ T _C = 25°C at Rated DC Blocking Voltage @ T _C = 125°C	I _{RM}	0.55 7.0				mA
Typical Junction Capacitance (Note 2)	C _j	350				pF
Typical Thermal Resistance Junction to Case (Note 1)	R _{θJC}	2.0				K/W
Voltage Rate of Change (Rated V _R)	dV/dt	10,000				V/μs
Operating and Storage Temperature Range	T _j , T _{STG}	-55 to +175				°C

Notes: 1. Thermal resistance junction to case mounted on heatsink.
2. Measured at 1.0MHz and applied reverse voltage of 4.0V DC.

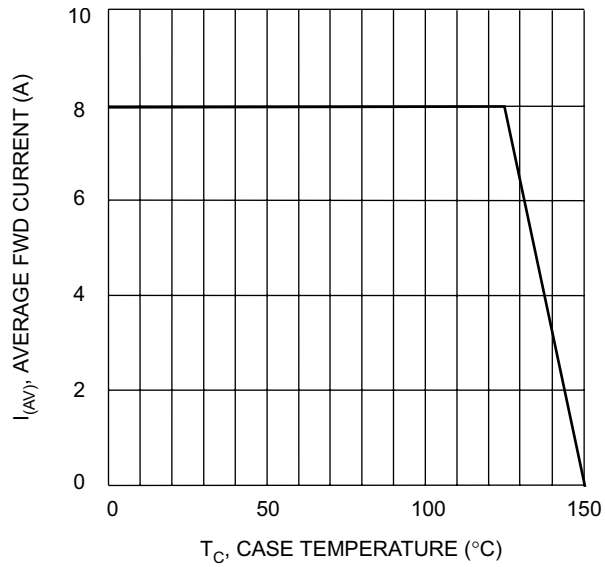


Fig. 1 Forward Current Derating Curve

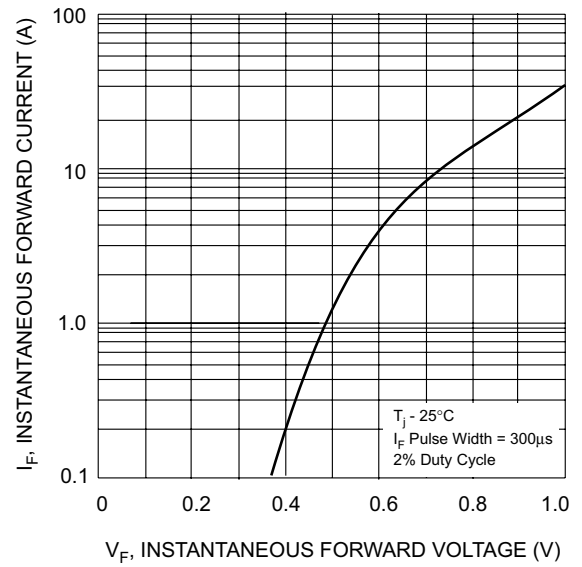


Fig. 2 Typical Forward Characteristics

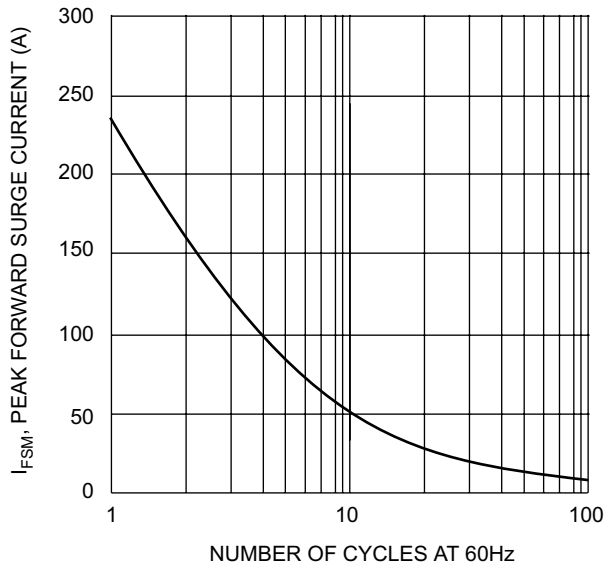


Fig. 3 Max Non-Repetitive Surge Current

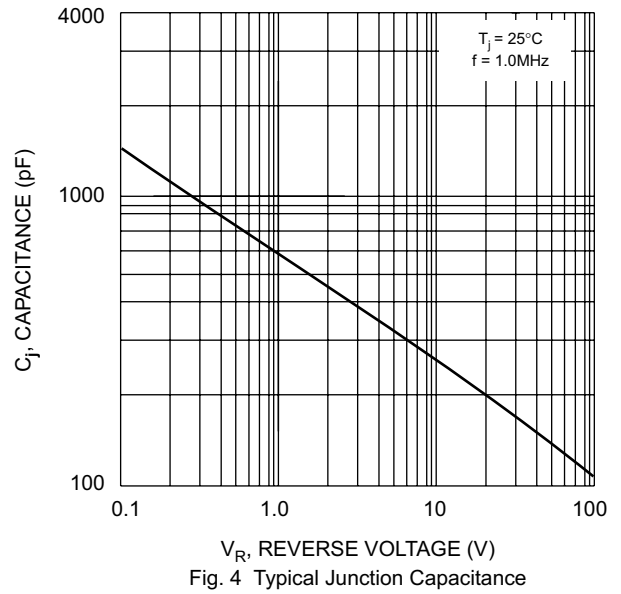


Fig. 4 Typical Junction Capacitance