



## PIN DESCRIPTION

Pin	Symbol	I/O	Description	Remark
1	GND	-	Ground control	
2	Xsub	I	Output Control (Vsub)	
3	XV2	I	Output Control ( $\Phi$ V2)	
4	XV1	I	Output Control ( $\Phi$ V1)	
5	XSG1	I	Output Control ( $\Phi$ V1)	
6	XV3	I	Output Control ( $\Phi$ V3)	
7	XSG3	I	Output Control ( $\Phi$ V3)	
8	XV4	I	Output Control ( $\Phi$ V4)	
9	VCP	I	Power of amp	
10	DCIN	I	OP-Amp input (internal pull-down resistor)	
11	DCOUT	O	OP-Amp output	
12	VHH	-	Power (15V)	
13	$\Phi$ V4	O	High Voltage Output (2 level : VME, VEE)	
14	$\Phi$ V3	O	High Voltage Output ( 3 level : VME, VEE, VHH)	
15	VME	-	Power (0V)	
16	$\Phi$ V1	O	High Voltage Output (3 level : VME, VEE, VHH)	
17	$\Phi$ V2	O	High Voltage Output (2 level : VME, VEE)	
18	VEE	-	Power (-8.5V)	
19	Vsub	O	High Voltage Output ( 2 level : VEE, VHH)	
20	VHH	-	Power (15V)	

## ABSOLUTE MAXIMUM RATINGS ( Ta = 25°C )

Characteristics	Symbol	Value	Unit
Supply Voltage	VEE	0 ~ -10	V
	VHH	-0.3 ~ VEE +35	
	VME	VEE -0.3 ~ 3.0	
Input Voltage	VI	-0.3 ~ VHH +0.3	
	VCP	-0.3 ~ VEE+35	
Output Voltage	$\Phi$ V1, $\Phi$ V2, $\Phi$ V3, $\Phi$ V4, $\Phi$ Vsub	VEE -0.3 ~ VHH +0.3	
OP-Amp output Current	I <sub>OUT</sub>	±5	mA
Operating Temperature	T <sub>OPR</sub>	-25 ~ +85	°C
Storage Temperature	T <sub>STG</sub>	-45 ~ +120	

## LOGIC FUNCTION TABLE

INPUT				OUTPUT		
XV1,3	XSG1,3	XV2,4	XSUB	FV1, 3	FV2, 4	VSUB
L	L	-	-	VHH	-	-
H	L	-	-	Z	-	-
L	H	-	-	VME	-	-
H	H	-	-	VEE	-	-
-	-	L	-	-	VME	-
-	-	H	-	-	VEE	-
-	-	-	L	-	-	VHH
-	-	-	H	-	-	VEE

**AC CHARACTERISTICS**

( VHH = 15V, VME = GND, VEE = - 8.5V ; Ta = 25°C )

Description	Symbol	Test Condition	Min	Typ	Max	Unit
DELAY TIME	TPLM	NO LOAD (*1)	10	40	70	ns
	TPMH	NO LOAD (*1)	10	30	70	
	TPLH	NO LOAD (*1)	10	40	100	
	TPML	NO LOAD (*1)	10	100	200	
	TPHM	NO LOAD (*1)	10	100	180	
	TPHL	NO LOAD (*1)	10	60	100	
RISING TIME	TTLM	VEE → VME (*1)	400	700	930	ns
	TTMH	VME → VHH (*1)	400	650	930	
	TLH	VEE → VHH (*1)	10	50	100	
	TTML	VME → VEE (*1)	200	300	500	
	TTHM	VHH → VME (*1)	400	600	820	
	TTHL	VHH → VME (*1)	10	50	100	
OUTPUT NOISE VOLTAGE	VCLH, VCLL VCMH, VCML	(*2)	-	-	0.5	V

(\*1) REFER TIMING DIAGRAM

(\*2) REFER NOISE DIAGRAM

**DC CHARACTERISTICS**

( VHH = 15V, VME = GND, VEE = -8.5, VCP = 22V ; Ta = 25°C )

Description	Symbol	Test Conditon	Min	Typ	Max	Unit
Supply Voltage	VHH		14.5	15	15.5	V
	VEE		-9.5	-8.5	-7.5	
Input Voltage	VCP	When VCP is used	VHH	22	23.5	
High level input voltage	VIH	(*3)	2.3	-	-	
Low level input voltage	VIL	(*3)	-	-	1.2	
Input Current	II	VIN = 0~5V (*3)	-1.0	0.0	1.0	μA
	IDCIN	VDCIN = 1.0V	80	100	140	
Operation Current	IHH	(*1)	-	2.0	3.5	mA
	IME	(*1)	-	4.5	5.0	
	IEE	(*1)	-8.5	-6.5	-	
Output Current	IOL	ΦV1-4 = -8.0V	25	37	-	
	IOM1	ΦV1-4 = -0.5V	-	-15	-10	
	IOM2	ΦV1.3 = 0.5V	9	13.5	-	
	IOH	ΦV1.3 = 14.5V	-	-18	-12	
	IOSL	VSUB = -8.0V	12	18	-	
	IOSH	VSUB = 14.5V	-	-10.5	-7	
Op-Amp Gain	G	IOUT = -200μA	x 4.0	x 4.2	x 4.7	
Gain Variation	ΔG	Ta=-20 ~ 75°C (*2), Iout=-200μAVDCIN = 1.0 ~ 4.5V	-3	-	+3	%
Operation Current	IVCP	VDCIN = 1.0 ~ 4.5V IOUT = 0μA	0.08	-	1.0	mA

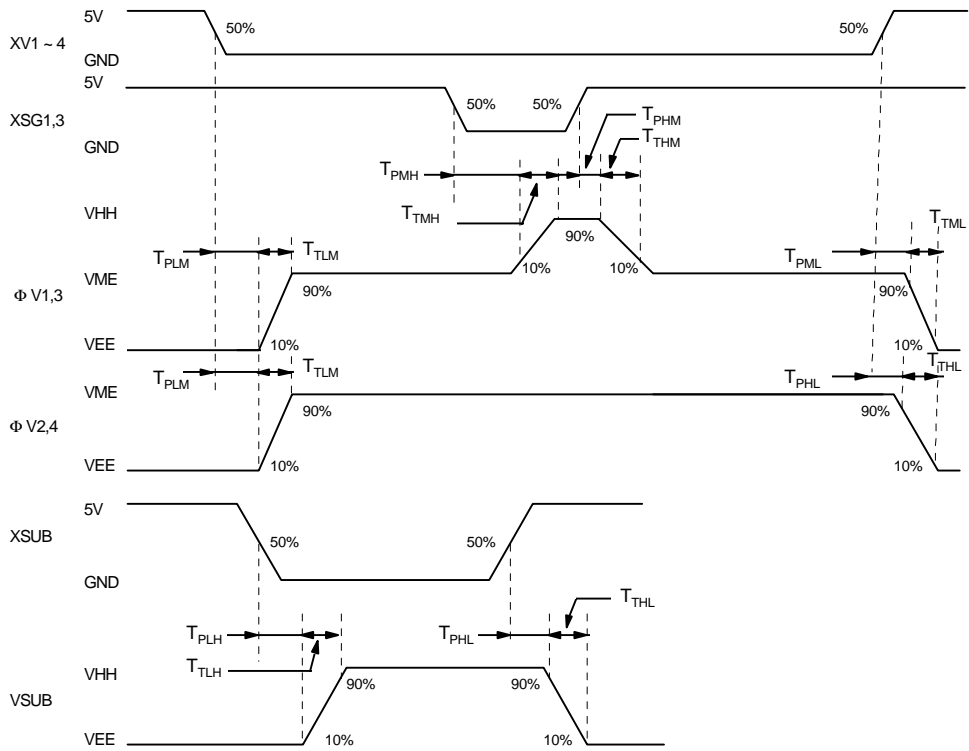
(\* 1 ) : Refer the test direct. Shutter speed : 1/100000 SEC

(\* 2 ) : Refer the characteristics of OP - AMP

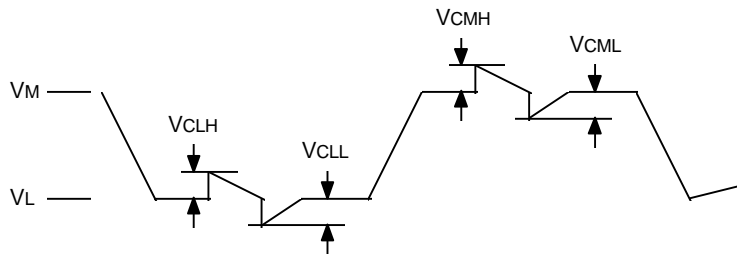
(\* 3 ) : XV1 ~ 4, XSG1, XSG3, XSUB PIN



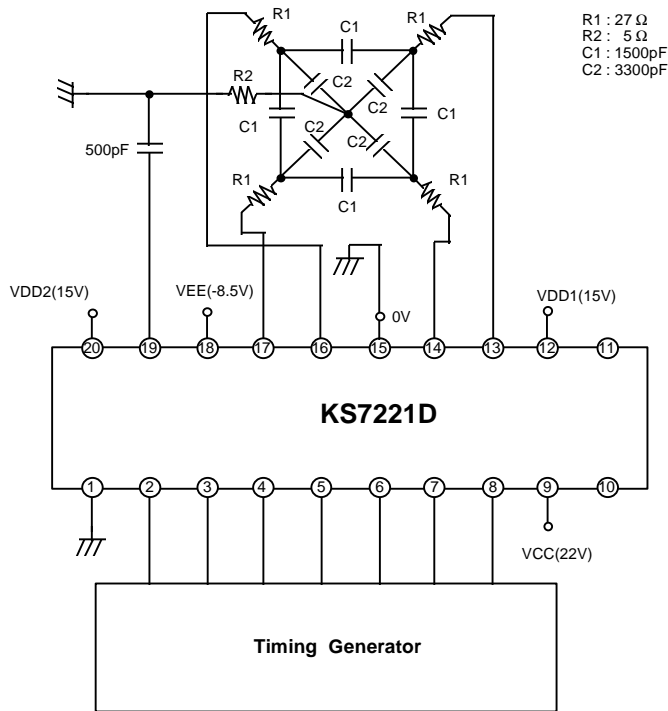
TIMING DIAGRAM



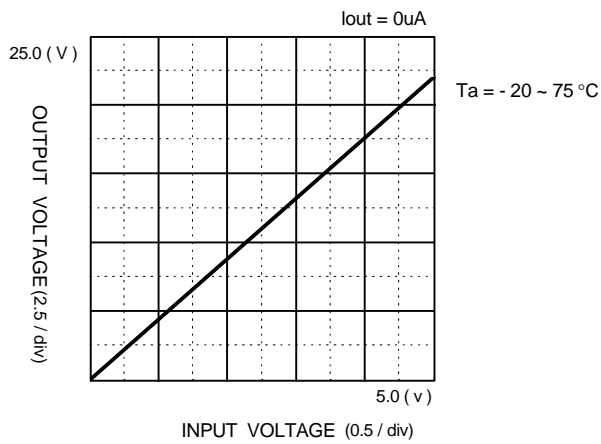
NOISE DIAGRAM



TEST CIRCUIT



OP-AMP Gain Characteristics





PACKAGE DIMENSION

