

液晶之友 电话: 020-33819057
Http://www.lcdfriends.com



PRODUCT SPECIFICATION

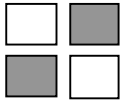
MONOCHROME LCD MODULE

PART NUMBER : FDG122032P

DESCRIPTION : 32x122Graphic

REVISION : Rev A

Approval for Specification only		Approval for Sample Only
Approval for Pre-production	x	Approval for Mass Production



FDG122032P (122 DOTS X 32 DOTS)

FEATURES

- ◆ BUILT-IN CONTROLLER (SED1520 OR EQUIVALENT)
- ◆ +5 V POWER SUPPLY
- ◆ 1/32 DUTY CYCLE
- ◆ 8-BIT PARALLEL INTERFACE
- ◆ EDGE LIGHTING TYPE LED RGB

MECHANICAL DATA

ITEM	DIMENSIONS	UNIT
Module Size (W x H x T)	117.0 x 39.0 x 12.7	mm
Viewing Area (W x H)	84.0 x 27.0	mm
Active Area (W x H)	79.62 x 20.76	mm
Dot Size (W x H)	0.61 x 0.61	mm
Dot Pitch (W x H)	0.65 x 0.65	mm

INTERFACE PIN CONNECTIONS

NO.	SYMBOL	LEVEL	FUNCTION
1	V _{SS}	0V	Power Supply Ground
2	V _{DD}	5V	Power Supply Voltage
3	V _o	-	Contrast Adjustment Voltage
4	A _o	H/L	Data Type Select Signal
5	R/W	H/L	H : Read / L : Write
6	E1	H,H→L	Chip Select Singal for IC1
7	E2	H,H→L	Chip Select Singal for IC2
8~15	DB0-DB7	H/L	Data Bus Line
16	/RES	L	Reset Signal
17	A	4.2V	LED Power (+)
18	K1	L	Red LED power supply
19	K2	L	Green LED power supply
20	K3	L	Blue LED power supply

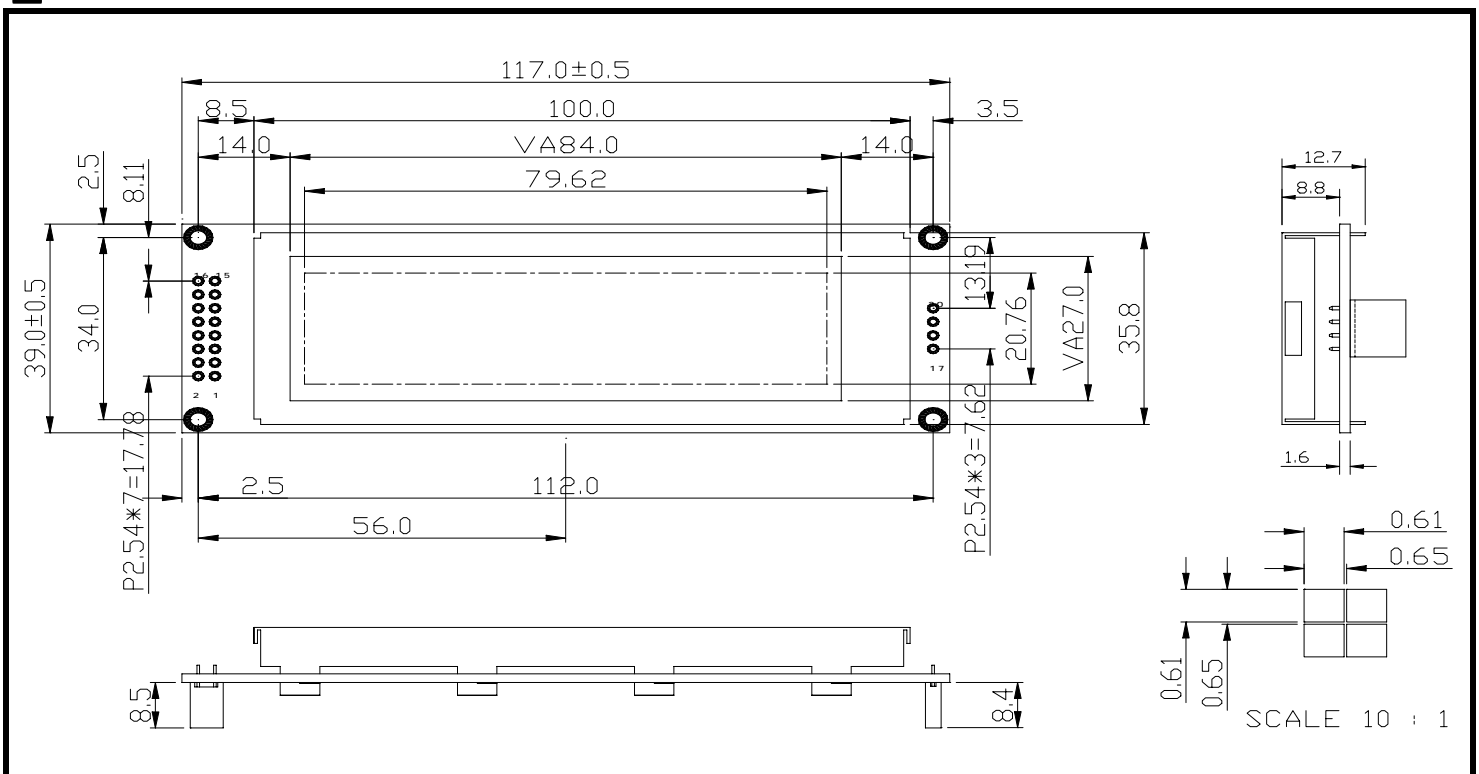
ABSOLUTE MAXIMUM RATINGS

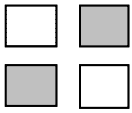
ITEM	SYMBOL	MIN.	TYP.	MAX.	UNIT
Supply Voltage For Logic	V _{DD} -V _{SS}	0	-	7	V
Supply Voltage For LCD Drive	V _{DD} -V _o	0	-	12	V
Input Voltage	V _I	V _{SS}	-	V _{DD}	V

ELECTRICAL CHARACTERISTICS

ITEM	SYMBOL	CONDITION	MIN.	TYP.	MAX.	UNIT	
Supply Voltage For Logic	V _{DD} -V _{SS}	-	4.5	5	5.5	V	
Supply Voltage For LCD	V _{DD} -V _o	V _{DD} =5V Ta=25°C	4.4	4.8	5.2	V	
Supply Current	I _{DD}	V _{DD} =5V	-	2.5	4.5	mA	
Input Voltage	"HIGH" Level	V _{IH}	-	2.2	-	V _{DD}	V
	"LOW" Level	V _{IL}	-	-	-	0.6	V
Output Voltage	"HIGH" Level	V _{OH}	-	2.4	-	V	V
	"LOW" Level	V _{OL}	-	-	-	0.4	V

EXTERNAL DIMENSIONS

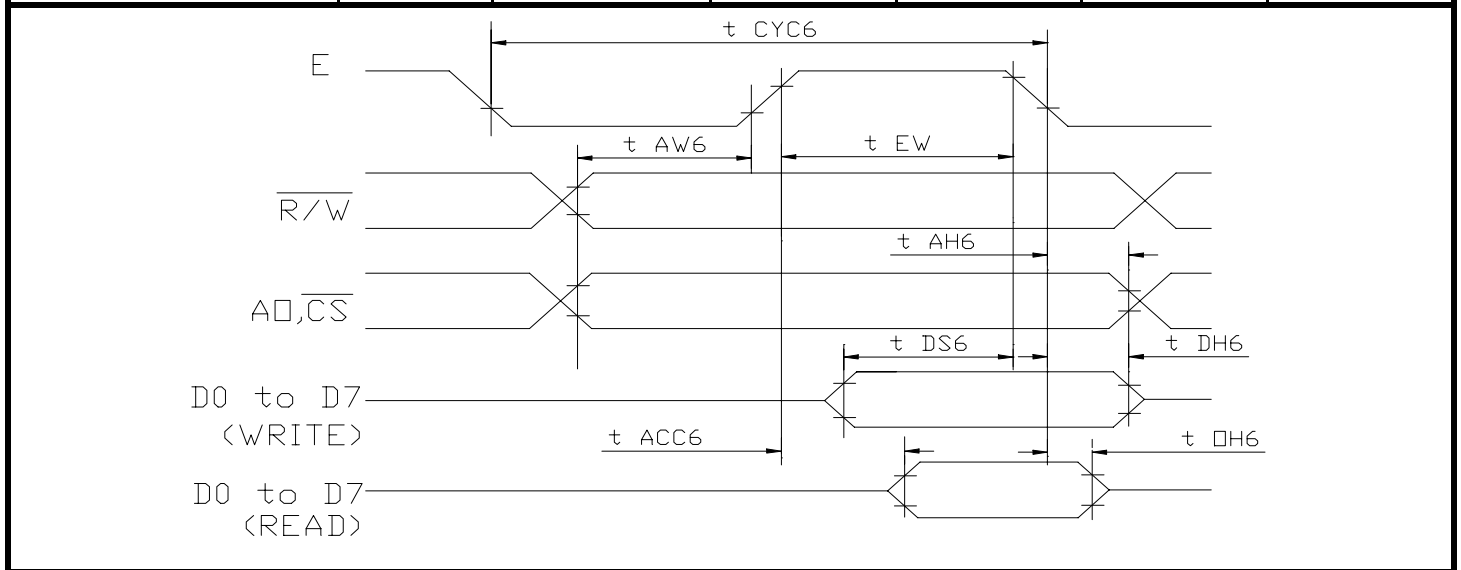




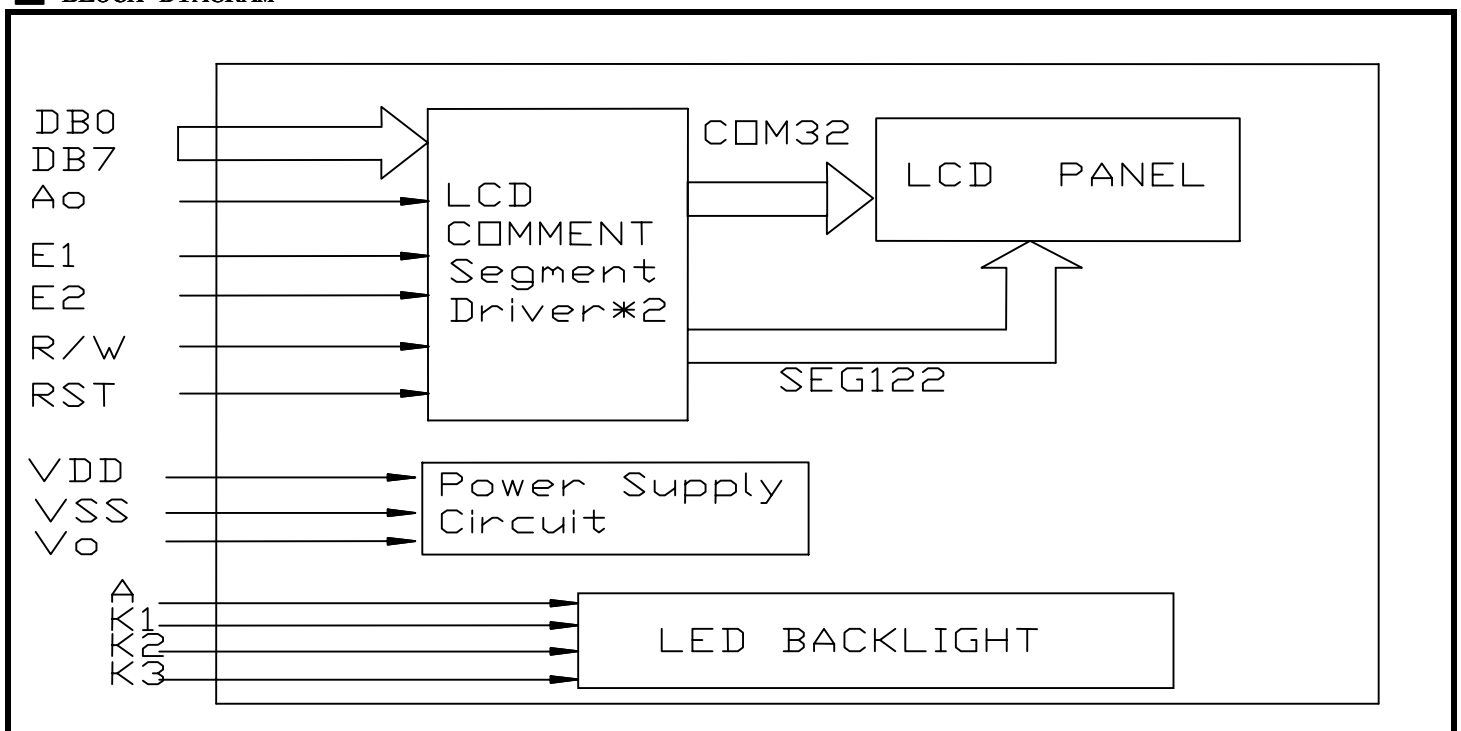
FDG122032P (122 DOTS X 32 DOTS)

■ TIMING CHARACTERISTICS

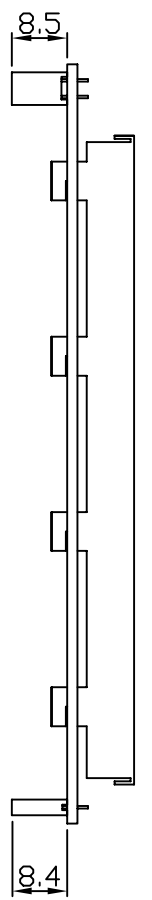
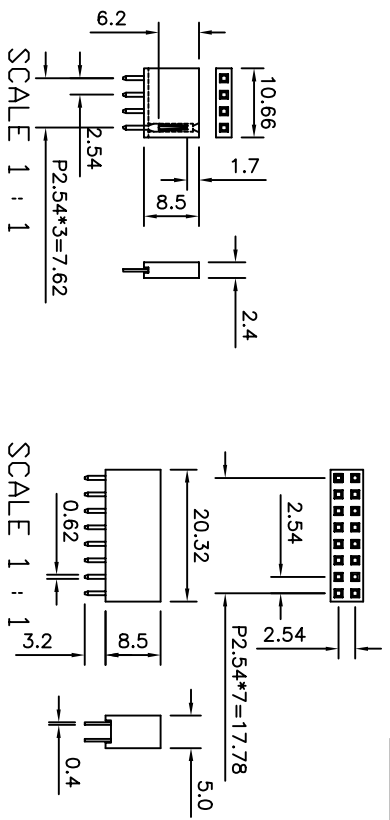
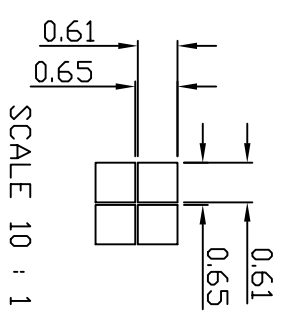
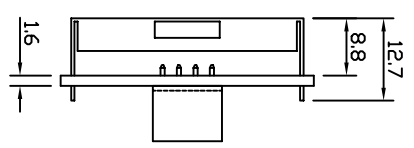
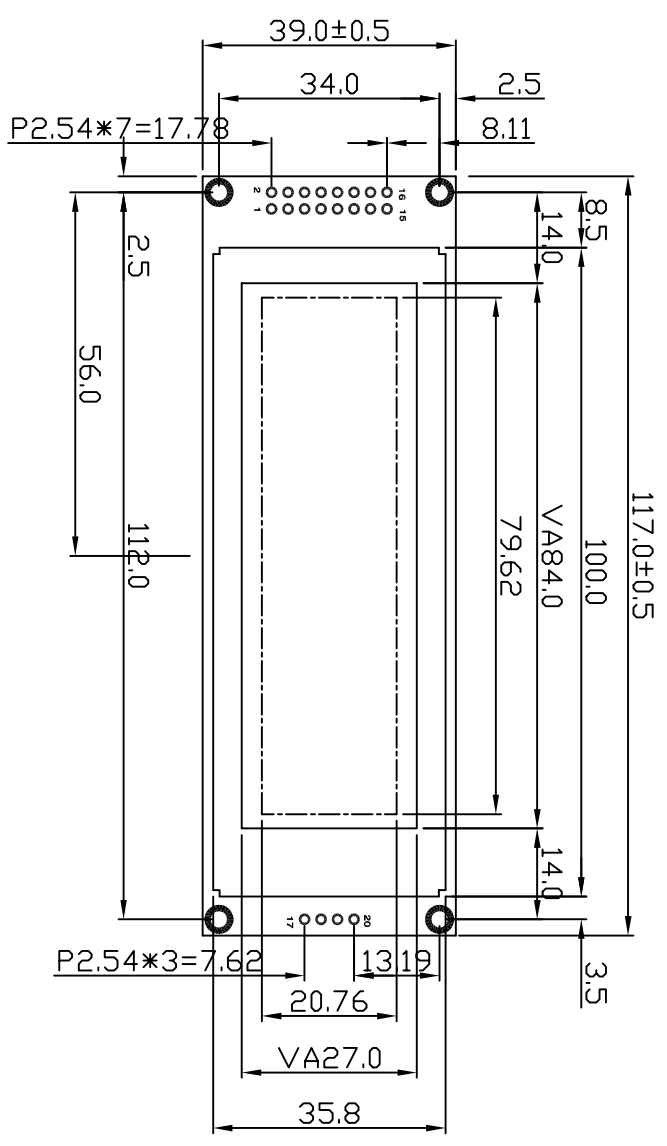
ITEM	SYMBOL	MIN.	TYP.	MAX.	UNIT.
System Cycle Time	t_{CYC6}	1000	-	-	ns
Address Set-up Time	t_{AW6}	20	-	-	ns
Address Hold Time	t_{AH6}	10	-	-	ns
Data Set-up Time	t_{DS6}	80	-	-	ns
Data Hold Time	t_{DH6}	10	-	-	ns
Output Disable Time	t_{OH6}	10	-	60	ns
Access Time	t_{ACC6}	-	-	90	ns
Enable Pulse Width	Read	t_{EW}	-	-	ns
	Write				



■ BLOCK DIAGRAM



PIN NO	SIGNAL
1	VSS
2	VDD
3	V0
4	A0
5	R/W
6	E1
7	E2
8	DB0
9	DB1
10	DB2
11	DB3
12	DB4
13	DB5
14	DB6
15	DB7
16	RES
17	A
18	K1
19	K2
20	K3



NOTE	ITEM	CONTENT	DATA	REV	TOLERANCE	SCALE	UNIT	CHKD	DWYN	DATE	CUSTOMER	APVL	TITLE	MODEL	DWG NO	PAGE
		NEW DRAWING	2003.12.20		X. ±0.30 X ±0.20 .XX±0.05	1/1	mm	Hsu	Gili	2004.04.30			SG12232P	SG12232P	D-A1-0060	1/1
SUNLIKE DISPLAY																