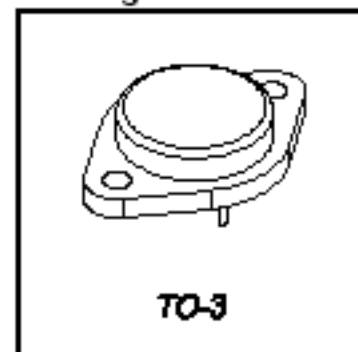


2N6328 (#23552)

NPN Transistor

Division	Lawrence	Datasheet	(none)
Mil-Spec	(none)		
Shipping	(none)	Qual Data	(none)

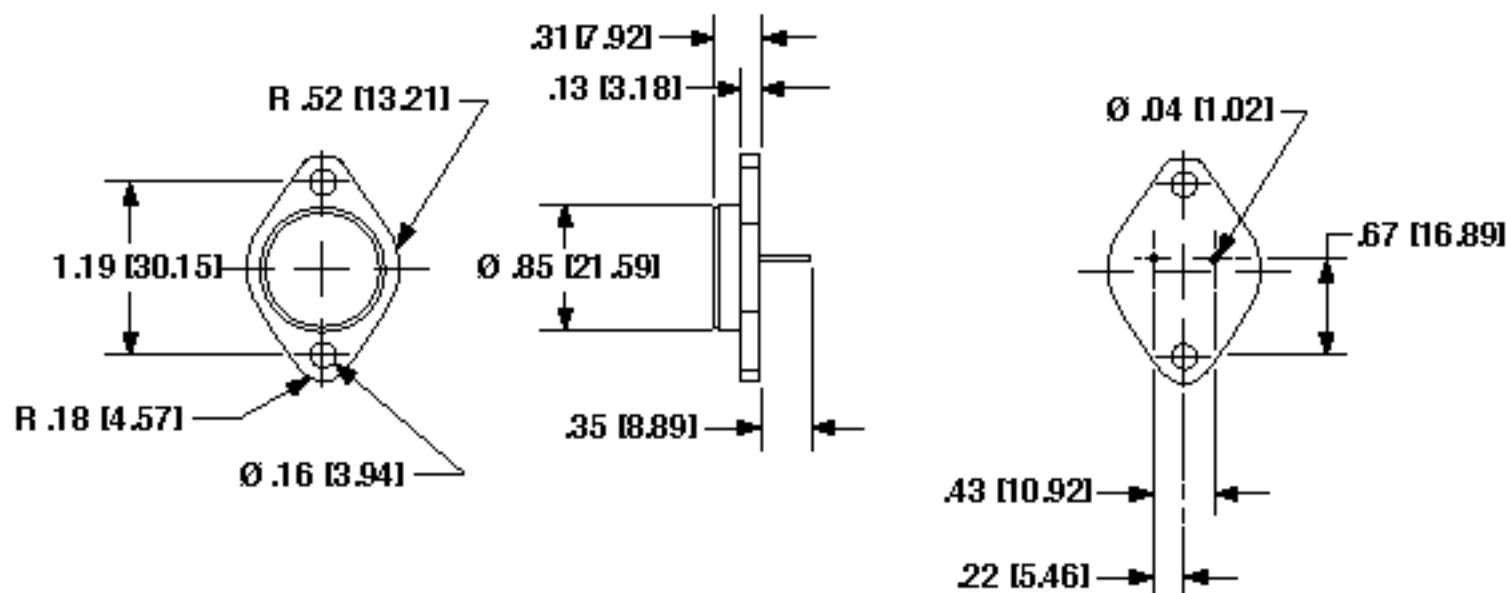
Package



Absolute Maximum Ratings	Symbol	Max	Unit
Power Dissipation	Power	200	W
Collector Current	I_C	30	A
Breakdown Voltage Collector-to-Base	$B_{V_{(CBO)}}$	100	V
Voltage Collector to Emitter Open	V_{CEO}	100	V
Voltage Emitter to Base Open	BV_{EBO}	5	V

Electrical Characteristics	Symbol	Min	Typ	Max	Unit
Collector Emitter Saturation Voltage					
($I_B=1.5$ mA, $I_C=30$ mA, $T_A=25$ °C, 300µs pulse)	$V_{CE(sat)}$			1.5	V
DC Current Gain					
($I_C=30$ mA, $T_A=25$ °C, 300µs pulse)	HFE	6		30	

TO-3



ALL DIMENSIONS SHOWN ARE TYPICAL VALUES

NOTE: DIMENSIONS IN INCHES [MM]

THIS DRAWING IS FOR REFERENCE ONLY. PLEASE REFER TO THE MICROSEMI PUBLISHED DATA SHEET.