

### Analog Peripherals

#### 10-Bit ADC

- $\pm 1$  LSB INL; no missing codes
- Programmable throughput up to 100 ksp/s
- 8 external inputs; programmable as single-ended or differential
- Programmable amplifier gain: 16, 8, 4, 2, 1, 0.5
- Data-dependent windowed interrupt generator
- Built-in temperature sensor ( $\pm 3$  °C)

#### Two 12-Bit DACs

- Voltage output
- 10  $\mu$ sec settling time

#### Two Comparators

- 16 programmable hysteresis values
- Configurable to generate interrupts or reset

#### Internal Voltage Reference

#### V<sub>DD</sub> Monitor/Brown-out Detector

#### On-Chip JTAG Debug

- On-chip emulation circuitry facilitates full-speed, non-intrusive, in-circuit emulation
- Supports breakpoints, single stepping, watchpoints, inspect/modify memory, and registers
- Superior performance to emulation systems using ICE-chips, target pods, and sockets
- Fully compliant with IEEE 1149.1 specification

#### Supply Voltage: 2.7 to 3.6 V

- Typical operating current: 12.5 mA at 25 MHz
- Multiple power saving sleep and shutdown modes

#### Temperature Range: -40 to +85 °C

### High-Speed 8051 $\mu$ C Core

- Pipelined instruction architecture; executes 70% of instructions in 1 or 2 system clocks
- Up to 25 MIPS throughput with 25 MHz clock
- Expanded interrupt handler; up to 21 interrupt sources

### Memory

- 2304 bytes data RAM
- 32 kB Flash; in-system programmable in 512-byte sectors (512 bytes are reserved)

### Digital Peripherals

- 32 port I/O; all are 5 V tolerant
- Hardware SMBus™ (I2C™ compatible), SPI™, and UART serial ports available concurrently
- Programmable 16-bit counter/timer array with five capture/compare modules
- 4 general-purpose 16-bit counter/timers
- Dedicated watchdog timer; bidirectional reset

### Clock Sources

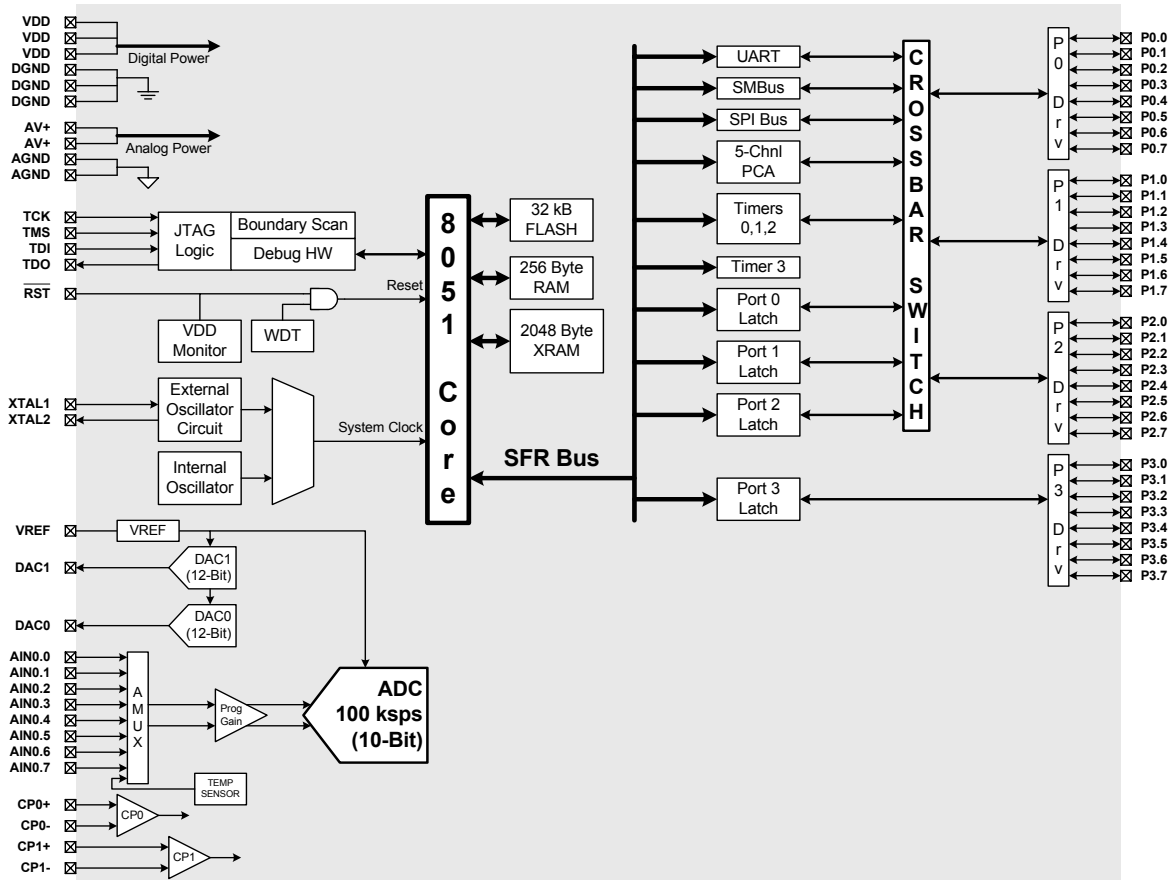
- Internal programmable oscillator: 2–16 MHz
- External oscillator: Crystal, RC, C, or Clock
- Can switch between clock sources on-the-fly

### Package

- 64-pin TQFP (standard lead and lead-free packages)

### Ordering Part Numbers

- Lead-free package: C8051F015-GQ
- Standard package: C8051F015

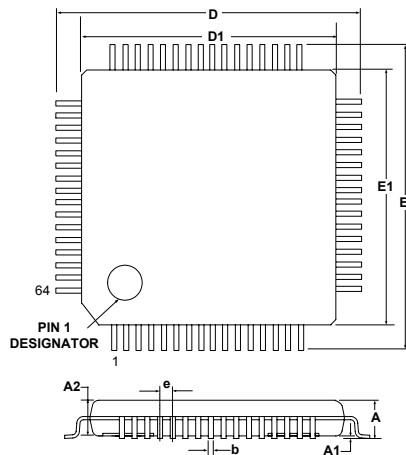


### Selected Electrical Specifications

( $T_A = -40$  to  $+85$  C°,  $V_{DD} = 2.7$  V unless otherwise specified)

PARAMETER	CONDITIONS	MIN	TYP	MAX	UNITS
<b>GLOBAL CHARACTERISTICS</b>					
Analog Supply Voltage		2.7		3.6	V
Analog Supply Current	Internal REF, ADC, DAC, Comparators all active		0.8		mA
Analog Supply Current with analog sub-systems inactive	Internal REF, ADC, DAC, Comparators all disabled		5		$\mu$ A
Digital Supply Voltage		2.7		3.6	V
Digital Supply Current with CPU active	Clock = 25 MHz Clock = 1 MHz Clock = 32 kHz		12 0.5 20		mA mA $\mu$ A
Digital Supply Current (shutdown mode)	Oscillator not running		2		$\mu$ A
$V_{DD}$ Data Retention Voltage	RAM remains valid		1.5		V
<b>CPU &amp; DIGITAL I/O</b>					
Clock Frequency Range		DC		25	MHz
Port Output High Voltage	$I_{OH} = -3$ mA, Port I/O push-pull	$V_{DD} - 0.7$			V
Port Output Low Voltage	$I_{OL} = 8.5$ mA			0.6	V
Input High Voltage		$0.8 \times V_{DD}$			V
Input Low Voltage				$0.2 \times V_{DD}$	V
SMBus SCL Frequency	SYSCLK = MCU system clock			SYSCLK/8	MHz
SPI Bus Clock Frequency	SYSCLK = MCU system clock			SYSCLK/2	MHz
<b>A/D CONVERTER</b>					
Resolution		10			bits
Integral Nonlinearity				$\pm 1$	LSB
Differential Nonlinearity	Guaranteed Monotonic			$\pm 1$	LSB
Throughput Rate				100	ksps
Input Voltage Range		0		$V_{REF}$	V
<b>D/A CONVERTERS</b>					
Resolution		12			bits
Integral Nonlinearity	Specified from Data Word 014h to FEBh		$\pm 4$		LSB
Differential Nonlinearity	Guaranteed Monotonic			$\pm 1$	LSB
Offset Error	Data Word = 014h		$\pm 3$		LSB
Output Settling Time	To $\frac{1}{2}$ LSB of full-scale		10		$\mu$ s
Output Voltage Swing		0		$V_{REF} - 1$ LSB	V
<b>COMPARATORS</b>					
Supply Current	(each Comparator)		1.5		$\mu$ A
Response Time	$ CP+ - CP-  = 100$ mV		4		$\mu$ s
Input Voltage Range		-0.25		(AV+) +0.25	V
Input Bias Current		-5	0.001	+5	nA
Input Offset Voltage		-10		+10	mV

### Package Information



	MIN (mm)	NOM (mm)	MAX (mm)
A	-	-	1.20
A1	0.05	-	0.15
A2	0.95	-	1.05
b	0.17	0.22	0.27
D	-	12.00	-
D1	-	10.00	-
e	-	0.50	-
E	-	12.00	-
E1	-	10.00	-

### C8051F005DK Development Kit

