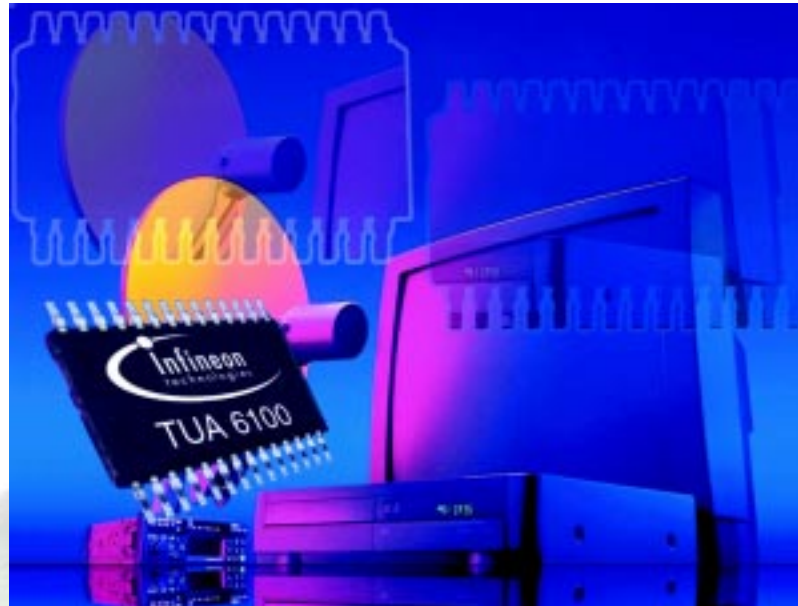


Product Brief

TUA 6100

Direct Conversion IC for Digital QPSK Satellite Signals



The TUA 6100 direct down conversion IC in BICMOS technology combines bipolar analogue functions with a CMOS-PLL on one chip. This integration reduces

external discrete components (SAW filter) and provides the potential to reduce the cost. Our P-TSSOP-28 package saves PCB-board space. The IC is

suitable for multimedia applications like DVB systems (set-top boxes, PC card receiver) and new applications, such as digital SAT TV sets and digital VCRs.

Potential Application

- Digital set-top box (DVB-S, DSS)
- VCR digital (satellite-ready)
- TV (satellite-ready)
- PC card receiver
- GSM base station supervision

- IF filter not necessary
- I/O for external baseband filter
- CMOS PLL-synthesizer
- Active loopfilter
- 2/4 high current switch outputs
- Low noise reference voltage
- 3-wire-Bus/I²C Bus
- P-TSSOP-28 package

Features

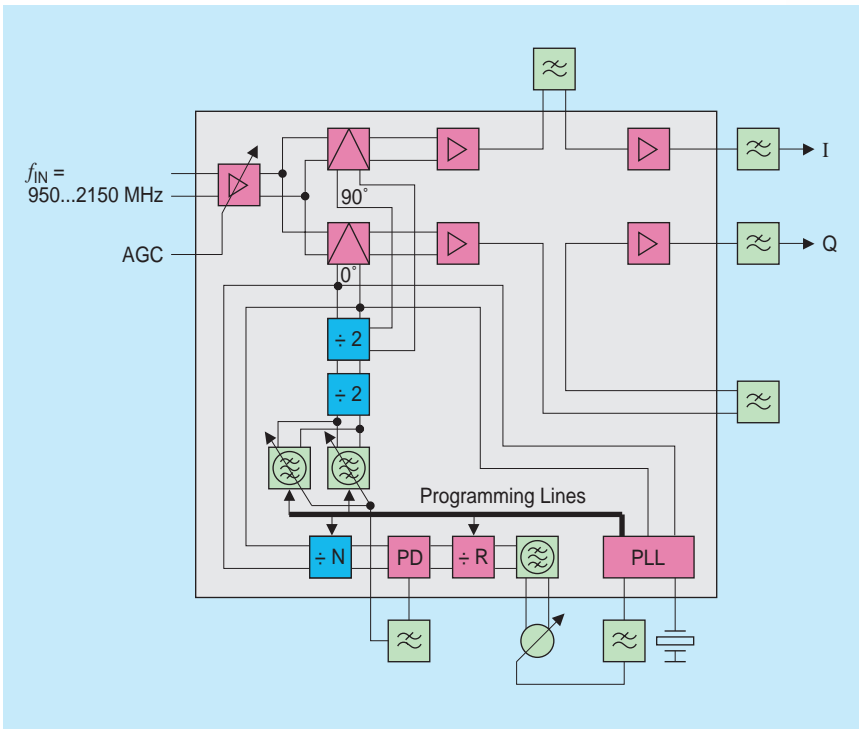
- Low impedance gain controlled RF input
- Dual matched double balanced mixer
- Digital generation of 0°/90° LO signal
- Direct down conversion from 1.1F (LNB output) to baseband

Features	Benefits
Direct down conversion from 1.1F to baseband	Fully integrated single-chip frontend
CMOS PLL-synthesizer	On board low phase noise PLL solution
IF filter not necessary	Lower BOM-SAW filter eliminated
3-wire-Bus/I ² C Bus	Two bus systems available
P-TSSOP-28 package	Small package-space saving

Packing

Type	Ordering Code	Package
TUA 6100	Q67037-A1034P	P-TSSOP-28

Block Diagram



Availability
ES available in Q3/99

- (A)** **Wien**
☎ (+43) 1-1707-356 11
- (AUS)** **Richmond (Melbourne), Vic. 3121**
☎ (+61) 3-9420 71 11
- (B)** **Brussel/Bruxelles**
☎ (+32) 2-536 23 48
- (BR)** **São Paulo-SP**
☎ (+55) 11-3908 23 77/26 84
- (CDN)** **Mississauga, Ontario L5T 1P2**
☎ (+1) 905-819 80 00
- (CH)** **Zürich**
☎ (+41) 1-495 30 65
- (D)** **Düsseldorf**
☎ (+49) 211-399 15 51
Laatzen (Hannover)
☎ (+49) 511-877 27 06
Nürnberg
☎ (+49) 911-654 76 22
Stuttgart
☎ (+49) 711-137 33 14
München
☎ (+49) 89-9221 40 86
- (DK)** **Ballerup**
☎ (+45) 4477-44 77
- (E)** **Tres Cantos-Madrid**
☎ (+34) 91-514 80 00
- (F)** **Saint-Denis CEDEX 2**
☎ (+33) 1-4922 31 00
- (FIN)** **Espoo (Helsinki)**
☎ (+358) 9-5105 1
- (GB)** **Berkshire RG 12 8FZ**
☎ (+44) 1344-39 60 00
- (GR)** **Amaroussio/Athen**
☎ (+30) 1-686 41 11
- (HK)** **Hong Kong**
☎ (+852) 2832 05 00
- (I)** **Milano**
☎ (+39) 02-6676-1
- (IND)** **New Delhi 110 014**
☎ (+91) 11-461 74 47
Bangalore 560 001
☎ (+91) 80-227 98 74
Mumbai
☎ (+91) 22-496 21 99
- (IRL)** **Dublin 4**
☎ (+353) 1-603 23 42
- (J)** **Tokyo 141-0022**
☎ (+81) 3-5449 64 11
- (MAL)** **Penang**
☎ (+60) 4-644 99 75
- (N)** **Oslo 5**
☎ (+47) 22-63 30 00
- (NL)** **Den Haag**
☎ (+31) 70-333 24 29
- (NZ)** **Auckland**
☎ (+64) 9-520 30 33
- (P)** **Amadora**
☎ (+35) 1-417 00 11
- (PK)** **Islamabad**
☎ (+92) 51-21 22 00
- (PL)** **Warszawa**
☎ (+48) 2-670 91 51
- (RC)** **Taipei**
☎ (+886) 2-2773 66 06
- (ROK)** **Seoul 135-080**
☎ (+82) 2-527 77 00
- (RUS)** **Moskva**
☎ (+7) 095-737-14 35, -14 36
- (S)** **Kista**
☎ (+46) 8-703 35 00
- (SGP)** **Singapore 349 253**
☎ (+65) 840 06 10
- (TR)** **Findikli (Istanbul)**
☎ (+90) 212-251 09 00
- (USA)** **Cupertino, CA 95014**
☎ (+1) 408-777 45 00
Cupertino, CA 95014
☎ (+1) 408-257 79 10
Iselin, NJ 08830-2770
☎ (+1) 732-906 43 00
- (VRC)** **Beijing**
☎ (+86) 10-6857 90 -06, -07
Shanghai 200003
☎ (+86) 21-6361 26 18/19
- (ZA)** **Halfway House 1685**
☎ (+27) 11-652-20 00, -27 00

Price Projection

- Standard price list
- For key and focus accounts or high volumes you may contact your regional Siemens sales partner

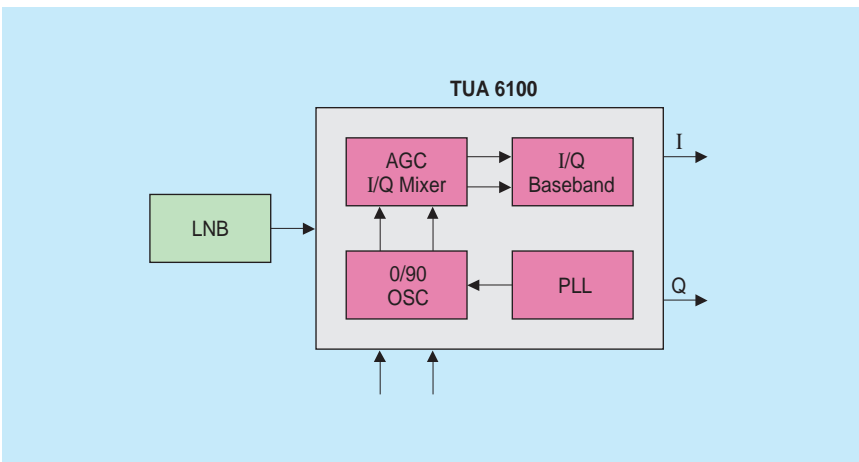
Documentation

Name	Date of Issue/Version
Specification	4/99
Application/Measurement	4/99

Development and Support Tools

- Evaluation board TUA 6100
- PLL-Explorer (C) for Windows

Basis Function



How to reach us:
<http://www.infineon.com>

© Infineon Technologies AG i. Gr. 1999.

All Rights Reserved.

Please note that any information contained in this publication may be subject to change. Infineon Technologies reserves the right to make changes to or to discontinue any product or service identified in this publication without notice.

Please contact our regional offices to receive the latest version of the relevant information to verify, before placing orders, that the information being relied upon is current.

All brand or product names, hardware or software names are trademarks of their respective companies or organizations.

Published by

Infineon Technologies AG i. Gr.

Ordering No. B168-H7368-G2-X-7600
 Printed in Germany
 PS 05992.