

Ceramic Capacitors Stacks

DESIGN:

Ceramic capacitor stacks with solder tags and protective lacquering

RATED VOLTAGE U_R :

see table below

DIELECTRIC STRENGTH:

see table below (Test voltage between solder tags)

DISSIPATION FACTOR $\tan \delta$:

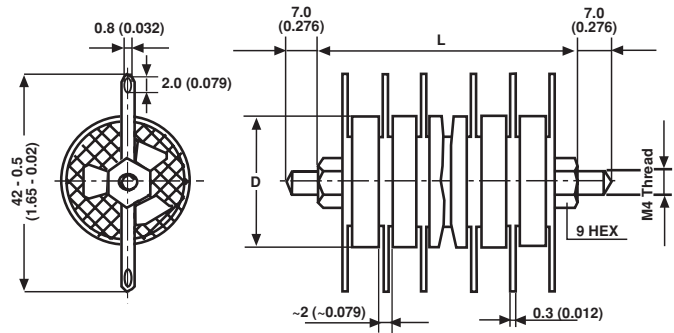
$\leq 25 \cdot 10^{-3}$

INSULATION RESISTANCE R_{is} :

$\geq 1 \cdot 10^{10} \Omega$

CATEGORY TEMPERATURE RANGE ϑ_A :

(- 10 to + 60) $^{\circ}$ C



Insulating rim of the ceramic discs has protective lacquering

• Dimensions in millimeters

MODEL	CAPACITANCE (pF)	TOLERANCE	RATED VOLTAGE* (KV _p)	TEST VOLTAGE** (KV _{DC})	CERAMIC DIELECTRIC	NO. OF DISCS IN SERIES	LENGTH L (mm/inches)	ØD (mm/inches)
GFMM 2505	1300	- 10 + 60%	19	25	R 4000	5	70/2.76 MAX.	25.5 ± 0.5/ (1 ± 0.02)
GFMM 2505	2200	- 10 + 50%	11	15	R 6000	5	70/2.76 MAX.	
GFMM 2507						7	77/3.03 MAX.	

*In an insulating environment

**Min. 20s in an insulating liquid

Other capacitance values and number of discs are available on request

ORDERING INFORMATION

GFMM 2505	11KV _p	2200pF	- 20 + 50%	R 6000
-----------	-------------------	--------	------------	--------