

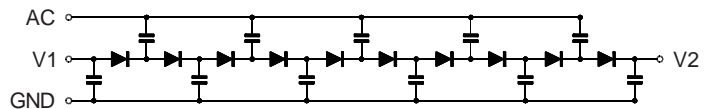
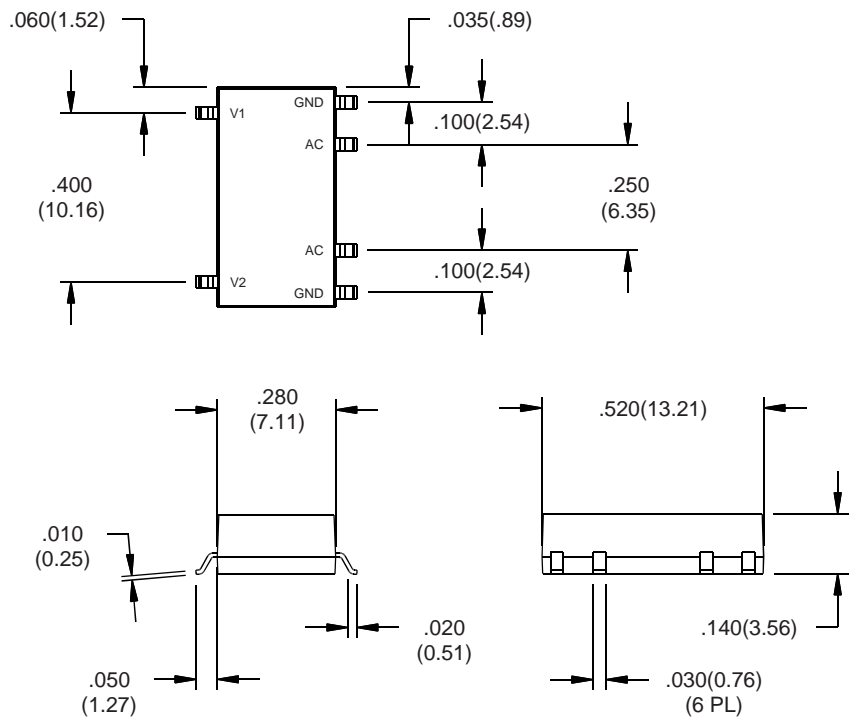
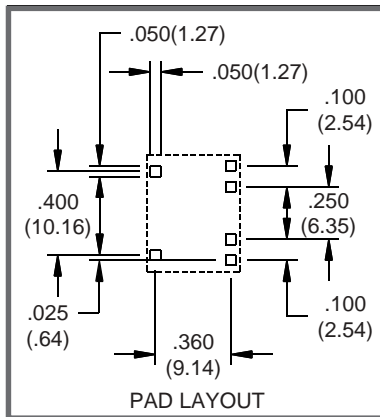
3,000V Surface Mount Multiplier

1.0 μ A - 50.0 μ A • 10 Stages

ELECTRICAL CHARACTERISTICS AND MAXIMUM RATINGS						
Part Number	Maximum A.C. Input Voltage	Maximum D.C. Output Voltage	Maximum D.C. Output Voltage (Two Multipliers in Series)	Typical Output Current Range (1)	Typical Frequency	Number of Stages
	V _{PP}	V _{DC}	V _{DC}	μ A	kHz	
MVM302P10	800	3000	6000	1.0 - 50.0	10 - 100	10
Operating Temp: -55°C to +150°C			Storage Temp: -65°C to +150°C			

(1) Refer to load lines on next page.

Plating:
50 μ m silver over 50 μ m nickel.



Dimensions: In. (mm) • All temperatures are ambient unless otherwise noted. • Data subject to change without notice.



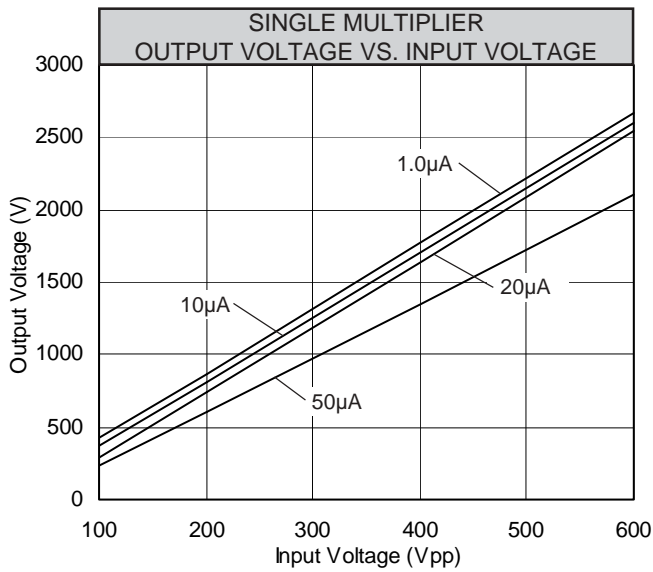
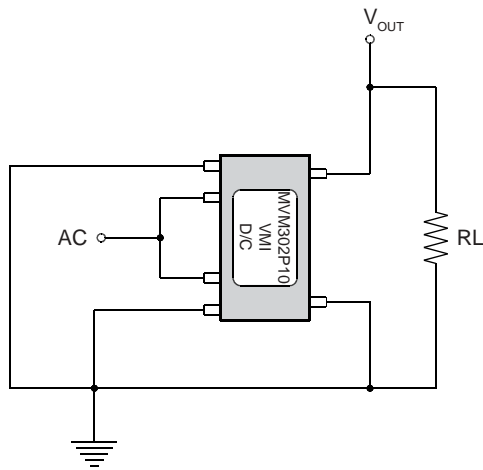
VOLTAGE MULTIPLIERS INC.
8711 W. Roosevelt Ave.
Visalia, CA 93291

TEL. 559-651-1402
FAX 559-651-0740

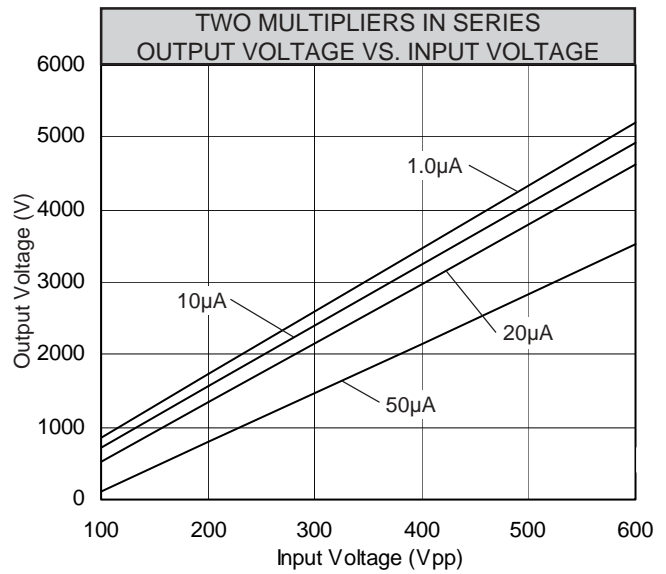
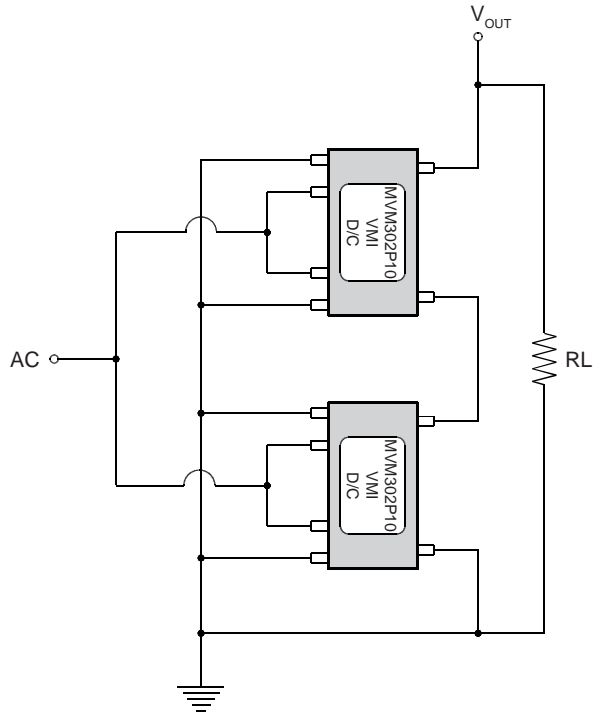
www.voltagemultipliers.com
www.highvoltagepowersupplies.com

MVM302P10

Typical Single Multiplier Circuit



Typical Circuit
Showing Two Multipliers in Series



Dimensions: In. (mm) • All temperatures are ambient unless otherwise noted. • Data subject to change without notice.



VOLTAGE MULTIPLIERS INC.
8711 W. Roosevelt Ave.
Visalia, CA 93291

TEL. 559-651-1402
FAX 559-651-0740

www.voltagemultipliers.com
www.highvoltagepowersupplies.com