

NOTES

- 1.0 PINS WITHOUT ELECTRICAL CONNECTION ARE OMITTED.
- 2.0 ALL RESISTORS ARE ±5% TOLERANCE.

ELECTRICAL SPECIFICATIONS:

- 1.0 TURNS RATIO: (P8-P6-P7) : (J3-J6) : 1CT : 1CT ±3%
- (P4-P5-P3) : (J1-J2) : 1CT : 1CT ±3%

- 2.0 INDUCTANCE: (P7-P8) : 350uH MIN. @ 0.1V, 100KHz, 8mA DC Bias
- (P4-P3) : 350uH MIN. @ 0.1V, 100KHz, 8mA DC Bias

- 3.0 LEAKAGE INDUCTANCE: P8-P7 (WITH J6 AND J3 SHORT) : 0.3uH MAX. @ 1MHz
- P4-P3 (WITH J2 AND J1 SHORT) : 0.3uH MAX. @ 1MHz

- 4.0 INTERWINDING CAPACITANCE: (P8,P6,P7) TO (J6,J3) : 25pf TYP @ 1MHz
- (P4,P5,P3) TO (J2,J1) : 25pf TYP @ 1MHz

- 5.0 DC RESISTANCE: (J6-J3)=(J2-J1) : 1.2 ohms Max.

- 6.0 RETURN LOSS: (P7-P8)=100 OHMS AND (P1-P2)=100 OHM REF.
- 1MHz TO 30MHz : -18dB MIN.
- 30MHz TO 60MHz : -(19-20 LOG (f/30MHz))
- 60MHz TO 80MHz : -12dB MIN.

- NOTE: 100 OHMS CONNECTED TO (J2-J1) OR (J6-J3).

- 7.0 DIELECTRIC WITHSTAND: (J1, J2) TO (P7, P8) : 1500 VAC
- (J3, J6) TO (P1,P2) : 1500 VAC

- 8.0 INSERTION LOSS: RS=RL=100 ohms
- 1-65MHz : -1 dB MAX

- 9.0 RISE TIME: RS=100 OHMS AND RL = 100 OHMS
- OUTPUT VOLTAGE = 1 V peak : 3.0 nS MAX
- PULSE WIDTH= 112nS : 3.0 nS MAX

- 10.0 CROSS TALK: 1-65MHz : -35 dB MIN

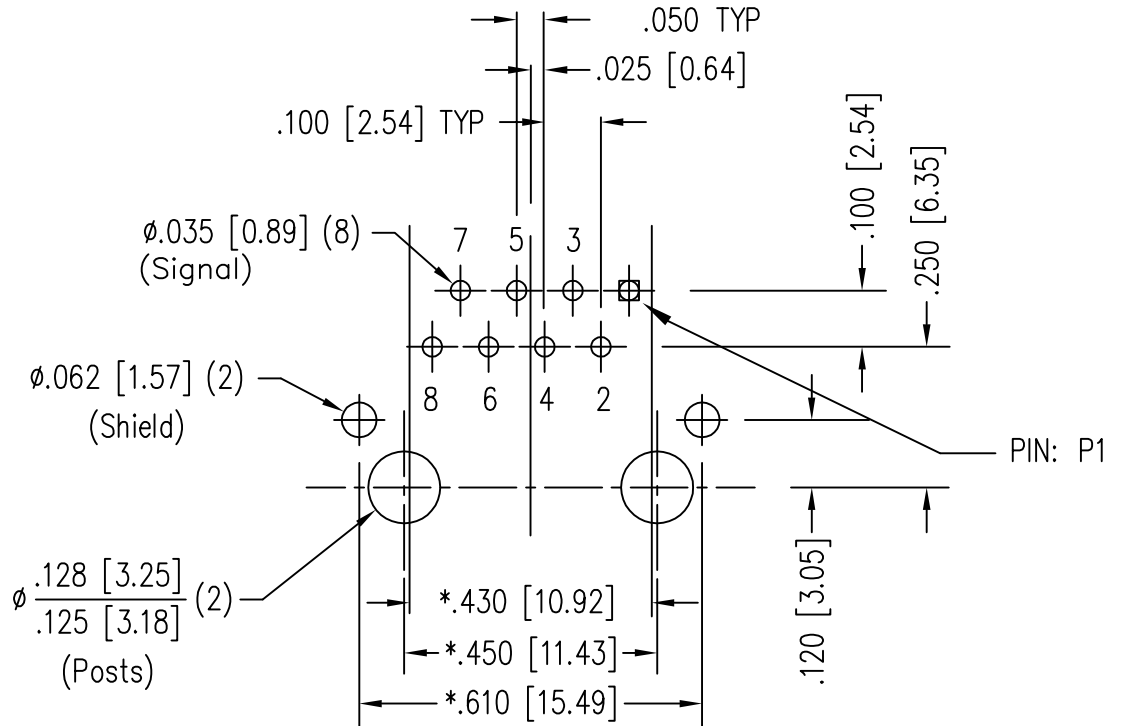
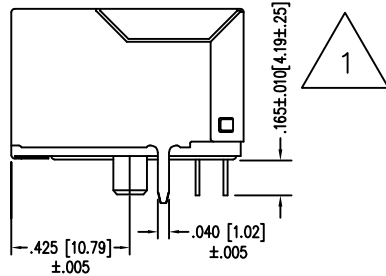
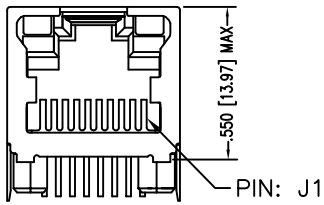
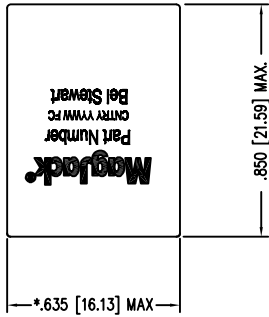
- 11.0 COMMON TO COMMON MODE ATTENUATION: 30MHz TO 100MHz : -30dB MAX
- 100MHz TO 130MHz : -20dB MAX

Bel Stewart Connector
 11118 Susquehanna Trail, South
 Glen Rock, Pa 17327-9199
 717.234.7512

MagJack
<http://www.stewartconnector.com>

THIS DRAWING AND THE SUBJECT MATTER SHOWN THEREON ARE CONFIDENTIAL AND PROPERTY OF BEL STEWART CONNECTOR AND SHALL NOT BE REPRODUCED, COPIED, OR USED IN ANY MANNER WITHOUT PRIOR WRITTEN CONTENT OF BEL STEWART CONNECTOR. THE SUBJECT MATTER MAY BE PATENTED OR A PATENT MAY BE PENDING.

SHEET 1 OF 2	DRAWING NO. SI-50122	REV. 01
-----------------	-------------------------	------------



P.C.B. RECOMMENDED HOLE LAYOUT
 SEEN FROM COMPONENT SIDE
 TOLERANCE ± 0.003 [0.08] UNLESS OTHERWISE SPECIFIED

NOTES:

- TOLERANCES COMPLY WITH F.C.C. DIMENSION REQUIREMENTS
- DIMENSIONS SHOWN WITH "*" TO BE CENTRAL ABOUT CENTER LINE
- DIMENSIONS SHOWN ARE SUBJECT TO CHANGE WITHOUT NOTICE.
- PIN NOT ELECTRICALLY CONNECTED MAYBE OMITTED. SEE ELECTRICAL DRAWING FOR OMITTED PINS.
- STANDARD 50 MICRO-INCH SELECTIVE GOLD PLATING
- REFLOW COMPATIBLE - 230°C/90 SECS.

1 NOTE: LEAD LENGTH

CT750006

THIS DRAWING AND THE SUBJECT MATTER SHOWN THEREON ARE CONFIDENTIAL AND PROPERTY OF BEL STEWART CONNECTOR AND SHALL NOT BE REPRODUCED, COPIED, OR USED IN ANY MANNER WITHOUT PRIOR WRITTEN CONTENT OF BEL STEWART CONNECTOR. THE SUBJECT MATTER MAY BE PATENTED OR A PATENT MAY BE PENDING.

Bel Stewart Connector
 11118 Susquehanna Trail, South
 Glen Rock, Pa 17327-9199
 717.234.7512

MagJack

<http://www.stewartconnector.com>

SHEET
2 OF 2

DRAWING NO. SI-50122 REV. 01